

**GENERAL DESCRIPTION**

Durable brass construction. Rigid brass and copper waterway. 35mm washerless 1/4 turn ceramic disc valve cartridge. Metal single function personal shower with easy to clean spray face features a 59" long metal hose. 1.8 gpm/6.8 L/min. maximum flow rate. Shower bracket pivots 60°. Includes double check valves to prevent back flow.

**PRODUCT FEATURES**

**Brass Construction:** Durable. Ideal for prolonged contact with water.

**Ceramic Disc Valve Cartridge:** Assures a lifetime of drip-free performance.

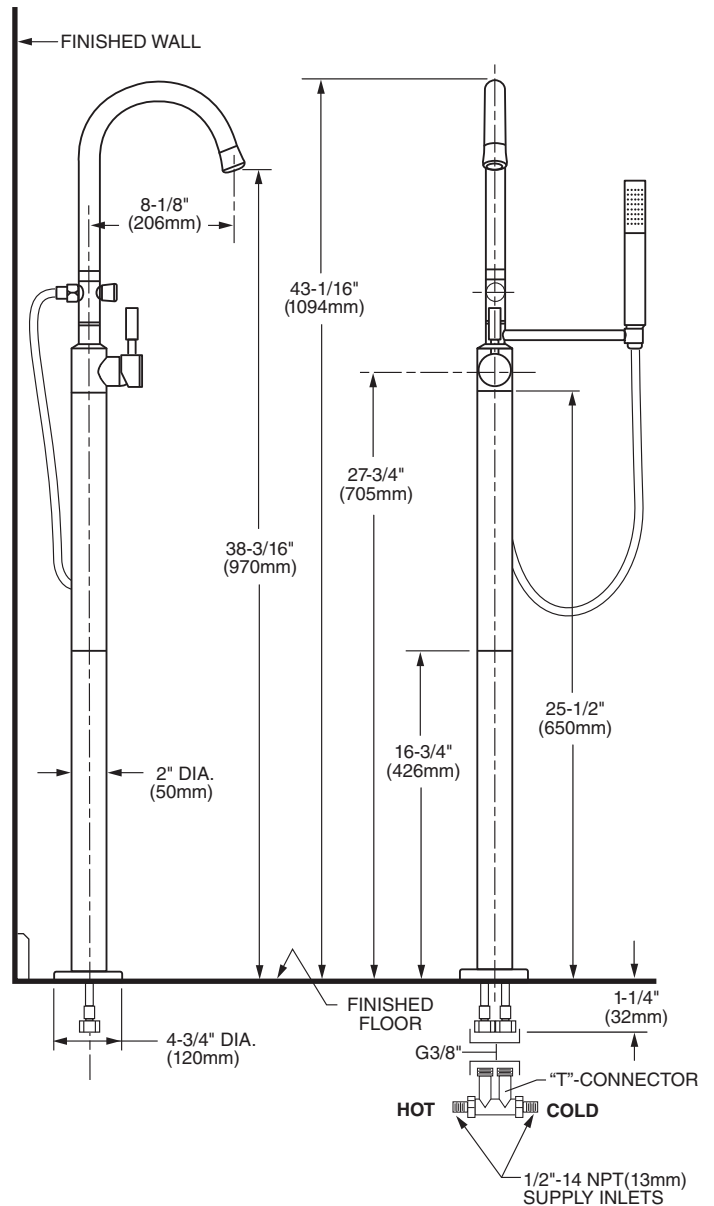
**Choice of Finishes:** Wide range of durable finishes.

**MODEL NUMBER**

- 2764951 Free Standing Bathtub Faucet**  
Personal Shower. Metal Lever Handle.

**For use with Flash™ Rough Valve Bodies**

- R950 Flash™ Free Standing Tub Filler Rough Valve.**
- R950SS Flash Free Standing Tub Filler Rough Valve with Service Stops.**



**SUGGESTED SPECIFICATION:**

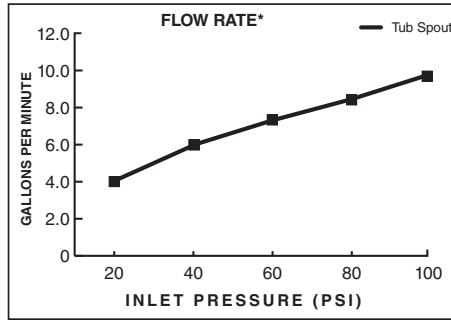
Free standing tub filler shall feature brass construction. Shall also feature 1/4 turn washerless ceramic disc valve cartridge. Fitting shall be American Standard Model #2764951.\_\_\_\_\_.

**CODES AND STANDARDS**

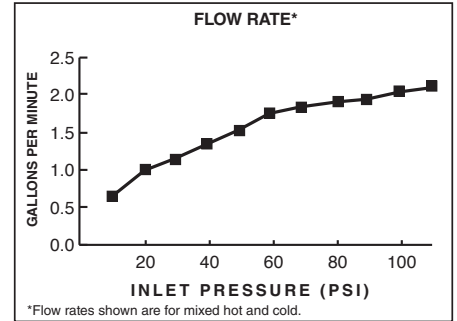
These products meet or exceed the following codes and standards:

**ASME A112.18.1  
CSA B125.1**

**Check local plumbing codes.  
Some installations may require  
a vacuum breaker.**



**TUB SPOUT FLOW**



**HAND SHOWER FLOW**

Product Number	Description	CEC	Finish Options			
			Polished Chrome	Brushed Nickel	Matte Black	Brushed Cool Sunrise
			002	295	243	GN0
2764951	Free Standing Bathtub Faucet. Personal shower. Metal Lever handle.	CEC	✓	✓	✓	✓