

T440.502 Bath/Shower Trim Shown

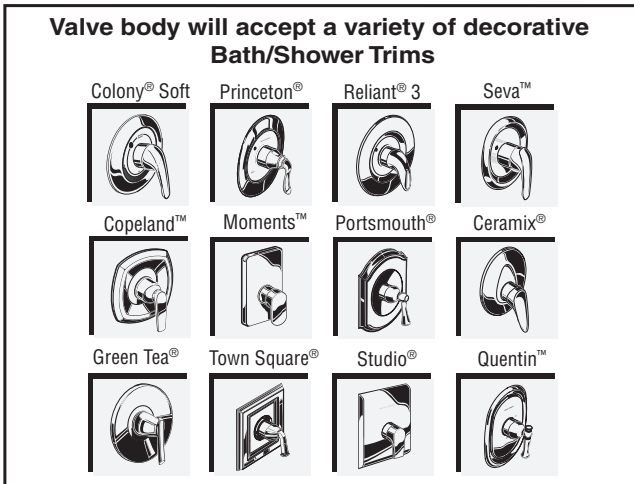
GENERAL DESCRIPTION:

TRIM KIT

6" Brass rain showerhead at maximum 2.5gpm/9.5L/min. flow rate. 12" Brass shepherd's crook shower arm. Metal slip-on diverter spout. Available with metal lever handle. Metal wall escutcheon.

ROUGH VALVE BODY

Cast brass body, washerless 47mm ceramic disc valve cartridge with volume and temperature control, and hot limit safety stop. Pressure balancing cartridge maintains constant output temperature in response to changes in relative hot and cold supply pressure. One-half inch inlets and outlets (choice of direct sweat, threaded, or PEX). Available with screwdriver stops. Rough-in plaster guard designed for use as thin-wall mounting adaptor. Valve body will accept a variety of decorative Bath/Shower trim kits.



MODEL NUMBER:

TRIM KITS:

- T440.502 Quentin BATH/SHOWER Trim Kit
Metal Lever Handle. LESS Valve Body.
- T440.501 Quentin SHOWER ONLY Trim Kit
Metal Lever Handle. LESS Valve Body.
- T440.500 Quentin VALVE ONLY Trim Kit
Metal Lever Handle. LESS Valve Body.

ROUGH VALVES:

- R120 Pressure Balance Rough Valve Body only
Direct sweat inlets/outlets. LESS trim.
- R120SS Pressure Balance Rough Valve Body only with Screwdriver stops
Direct sweat inlets/outlets. Screwdriver stops. LESS trim.
- R125 Pressure Balance Rough Valve Body only
Female thread inlets/outlets. LESS trim.
- R125SS Pressure Balance Rough Valve Body only with Screwdriver stops
Female thread inlets/outlets. Screwdriver stops. LESS trim.
- R127 Pressure Balance Rough Valve Body only
PEX inlets/Direct sweat outlets. LESS trim.
- R127SS Pressure Balance Rough Valve Body only with Screwdriver stops
PEX inlets/Direct sweat outlets. Screwdriver stops. LESS trim.

PRODUCT FEATURES:

Cast Brass Valve Body: Durable - Quality that will last a lifetime. Ideal material for prolonged contact with water.

Ceramic Disc Valve Cartridge: Assures a lifetime of drip-free performance. Allows easy control over both water temperature and volume.

Pressure Balancing Valve Cartridge: Maintains constant output temperature in response to changes in relative hot and cold supply pressure. Diaphragm system engineered to eliminate cross flow. Avoids failure due to mineral deposits - ideal for use in hard water.

Back-to-Back Capability: Hot and cold can be reversed quickly and easily.

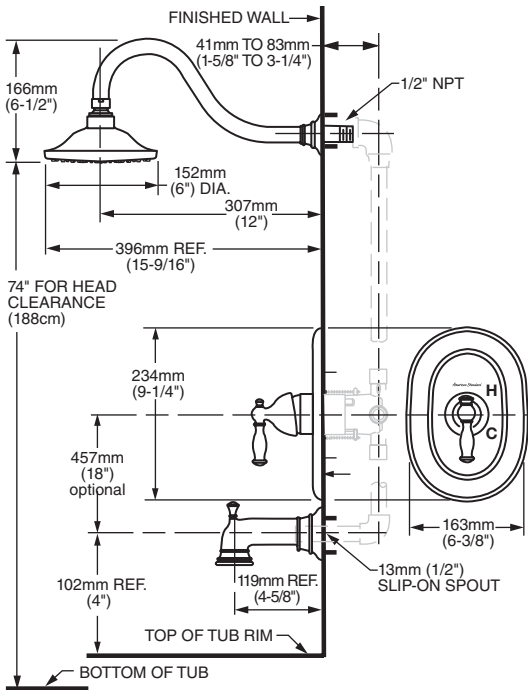
Adjustable Hot Limit Safety Stop: Limits the amount of hot water allowed to mix with cold. Reduces the risk of accidental scalding.

Exclusive Plaster Guard: Plaster guard is designed to protect valve during installation and serve as a mounting plate for thin-wall installations. Two piece design allows valve to be tested prior to trim installation.

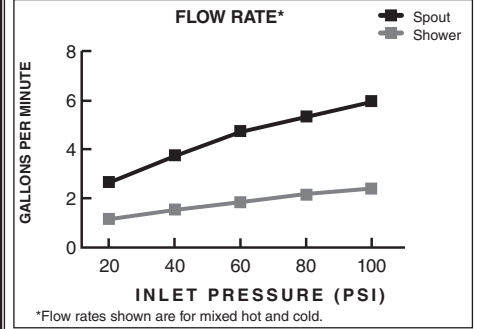
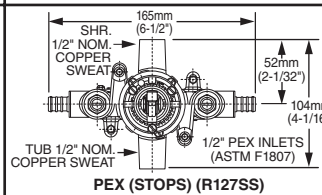
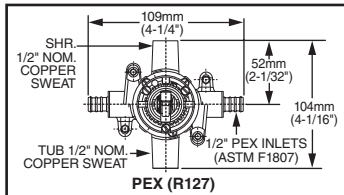
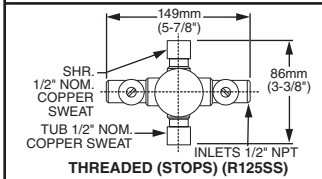
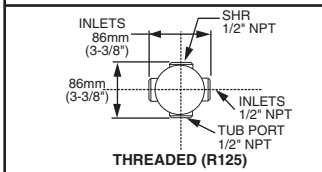
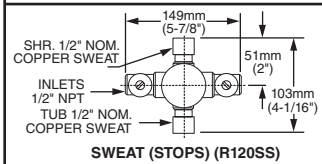
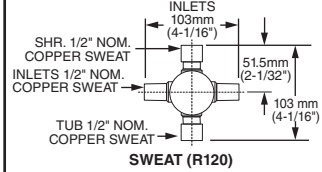
Wide Rough-in Range: From 1-5/8" to 3-1/4".

SUGGESTED SPECIFICATION:

Bath/shower fitting shall feature 6" brass rain showerhead with Max. 2.5gpm/9.5L/min. flow rate. Shall feature a cast brass valve body. Shall feature ceramic disc valve cartridge which allows user to control both water temperature and volume. Fitting shall be equipped with pressure balancing cartridge engineered to eliminate cross flow and avoid failure due to mineral deposits. Shall also feature a hot limit safety stop. Fitting shall be: Rough Valve Body - American Standard Model # R12____, Trim Kit - American Standard Model # T440.50____.



VALVE BODY OPTIONS



CODES AND STANDARDS

These products meet or exceed the following codes and standards:

- ANSI A 117.1
- ASSE 1016
- ASME A112.18.1
- CSA B 125

Meets the American Disabilities Act Guidelines and ANSI A117.1 Requirements for the physically challenged.

TRIM KITS *	Product Number	Description	Finish Options		
			Polished Chrome	Oil Rubbed Bronze	PVD Satin Nickel
			002	224	295
T440.502	Bath/Shower Trim Kit. Metal Lever Handle. LESS Valve Body.				
T440.501	Shower Only Trim Kit. Metal Lever Handle. LESS Valve Body.				
T440.500	Valve Only Trim Kit. Metal Lever Handle. LESS Valve Body.				

ROUGH VALVE BODIES	Product Number	Description
	R120	Rough Valve Body less trim. Direct Sweat inlets/outlets.
	R120SS	Rough Valve Body less trim. Direct Sweat inlets/outlets with Screwdriver Stops.
	R125	Rough Valve Body less trim. Female Thread inlets/outlets.
	R125SS	Rough Valve Body less trim. Female Thread inlets/outlets with Screwdriver Stops.
	R127	Rough Valve Body less trim. PEX inlets/ Direct Sweat outlets.
	R127SS	Rough Valve Body less trim. PEX inlets/ Direct Sweat outlets with Screwdriver Stops.

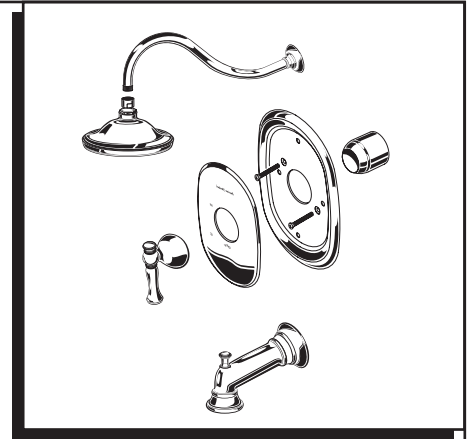
* TRIM & ROUGH MUST BE ORDERED SEPARATELY.

American Standard

**QUENTIN™
BATH/SHOWER TRIM KITS**

**INSTALLATION
INSTRUCTIONS**

**T440.502
T440.501
T440.500**



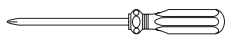
Certified to comply with ANSI A112.18.1

Thank you for selecting American-Standard...the benchmark of fine quality for over 100 years.

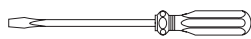
To ensure that your installation proceeds smoothly—please read these instructions carefully before you begin.

M965236

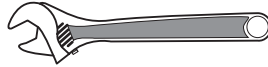
Recommended Tools



Phillips Screwdriver



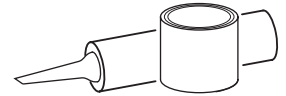
Flat Blade Screwdriver



Adjustable Wrench



Channel Locks

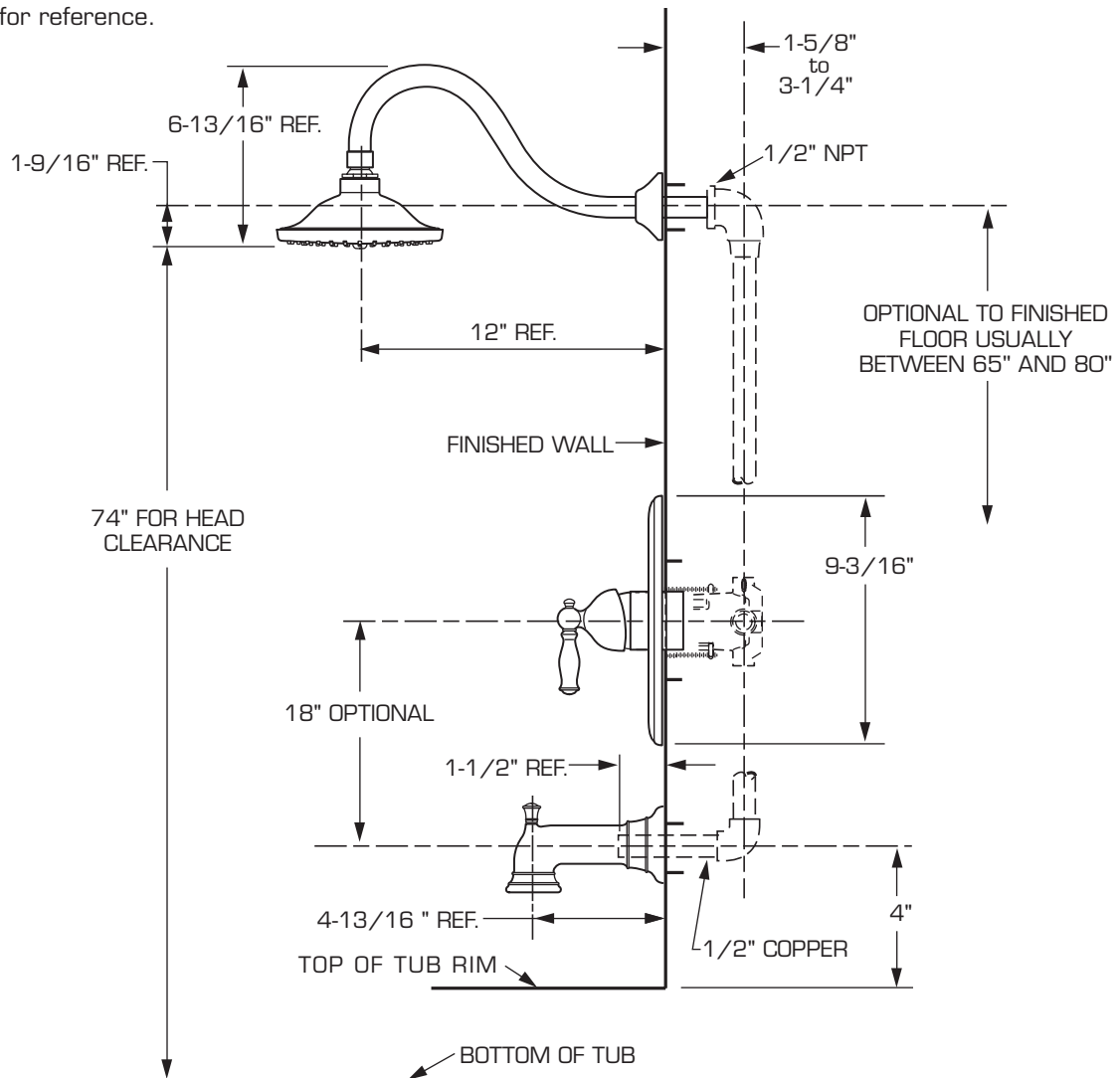


Plumbers' Putty or Caulking

ROUGHING-IN DIMENSIONS

Installation for Bath/Shower, Shower only, or Valve only Trim.

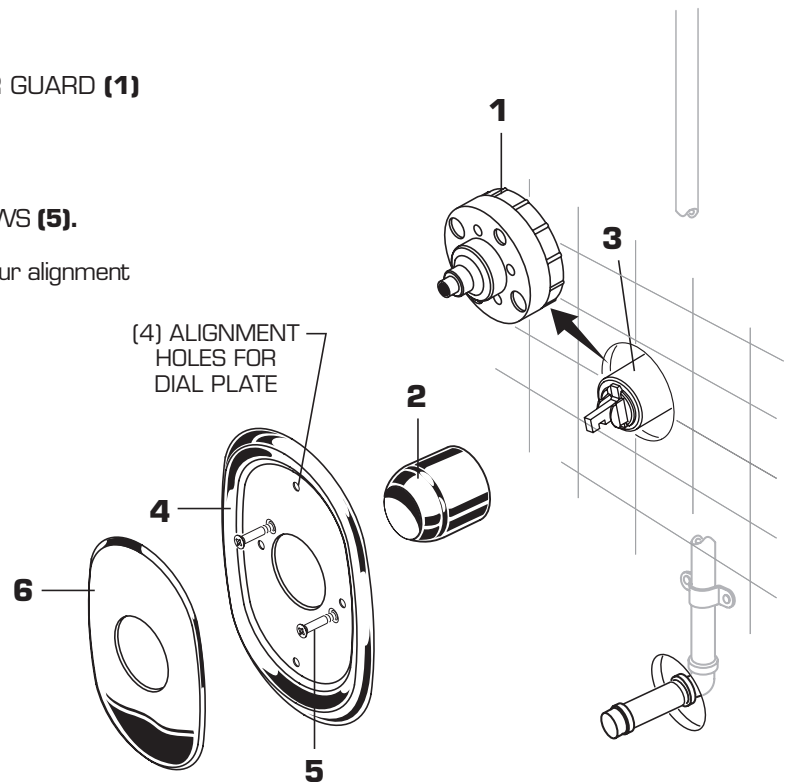
■ Dimensions are for reference.



1

INSTALL VALVE TRIM

- When finished tiling the wall, remove PLASTER GUARD (1) and turn off water supply.
- Push CAP (2) over VALVE CARTRIDGE (3).
- Mount ESCUTCHEON (4) to valve body with SCREWS (5).
- Push DIAL PLATE (6) over CAP (2) and into the four alignment holes in ESCUTCHEON (4).

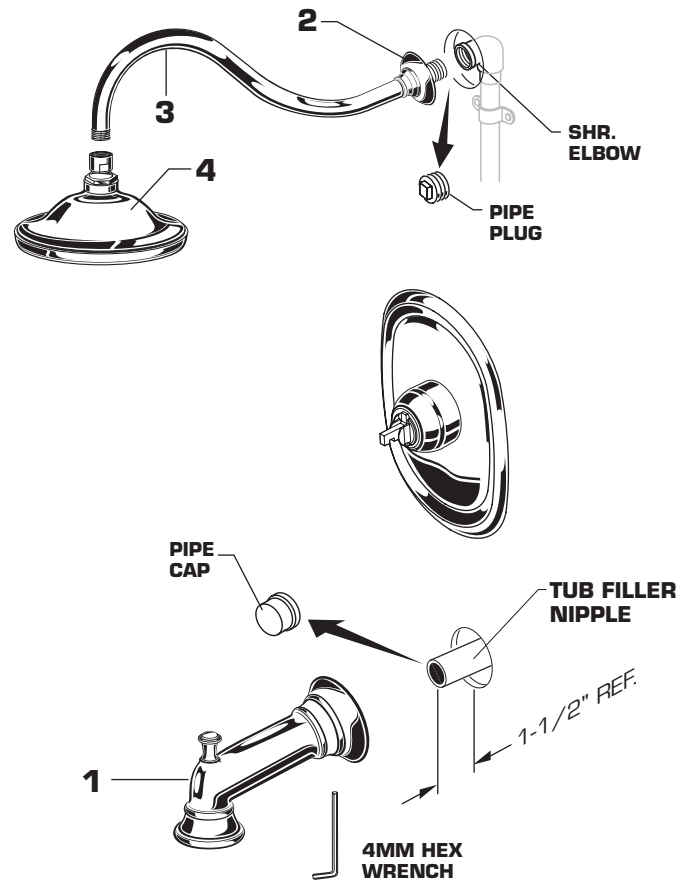


2

INSTALL TUB SPOUT, SHOWER HEAD, SHOWER ARM WITH FLANGE

CAUTION: Protect finish on SHOWER HEAD and TUB SPOUT when installing.

- Remove pipe cap and plug from shower and tub rough piping.
- Slip TUB SPOUT (1) onto tub nipple and tighten with 4mm Hex Wrench.
CAUTION: Protect finish on TUB SPOUT when installing.
- Install SHOWER ESCUTCHEON (2) onto SHOWER ARM (3). Apply sealant or Teflon tape to threads on both ends of SHOWER ARM (3) and thread longer leg of SHOWER ARM (3) into shower elbow.
- Thread SHOWER HEAD (4) onto SHOWER ARM (3).
CAUTION: Protect finish on SHOWER HEAD and ARM when installing.

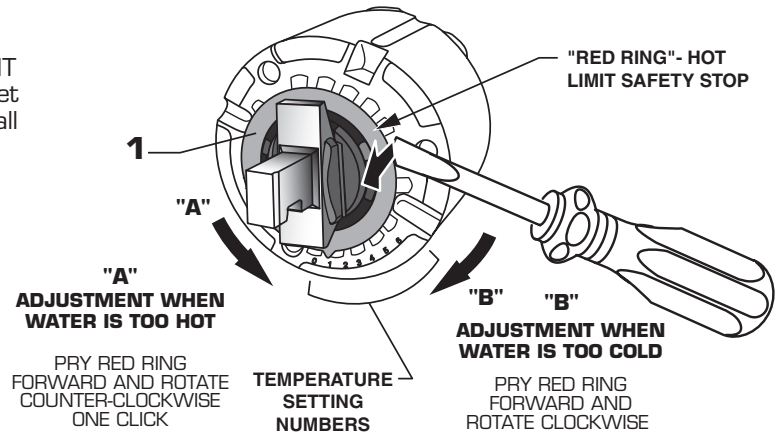


3 ADJUST HOT LIMIT STOP

HOT LIMIT SAFETY STOP ADJUSTMENT

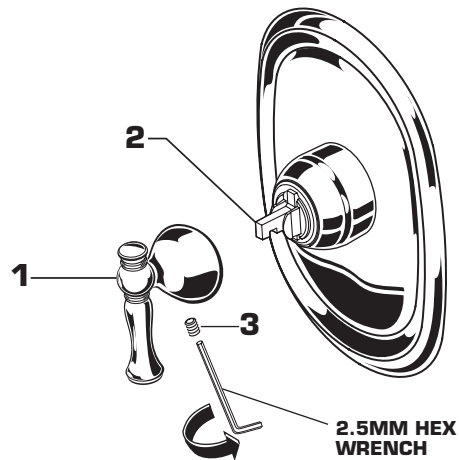
By restricting handle rotation and limiting the amount of hot water allowed to mix with the cold, the HOT LIMIT SAFETY STOP reduces risk of accidental scalding. To set the maximum hot water temperature of your faucets, all you need to do is adjust the setting on the HOT LIMIT SAFETY STOP.

- Use a flat blade screwdriver or your fingers to pull up and rotate red HOT LIMIT SAFETY STOP **(1)**. Follow Step "A" or "B" to adjust min./max. discharge temperature. "0" being the hottest to "7" the coldest temperature setting. Factory set at "0".



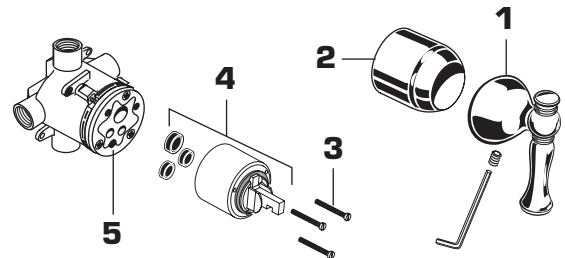
4 HANDLE INSTALLATION

- Install HANDLE **(1)** by pushing it onto CARTRIDGE STEM **(2)** and tightening SET SCREW **(3)** from below with 2.5mm Hex Wrench supplied.



5 SERVICE

- If faucet drips, operate handle several times from "off" to "on". Do not apply excessive force.
- Clogged CARTRIDGE **(4)** inlets may cause reduced flow in "full on" hot or cold. To clean inlets, first turn off water supply, then:
 - Remove HANDLE **(1)**, CAP **(2)** and CARTRIDGE **(4)**. Clean inlets and MANIFOLD **(5)**.
 - Reassemble CARTRIDGE **(4)**, alternately tightening SCREWS **(3)**.
 - Replace CAP **(2)** and HANDLE **(1)**. Check flow.



6 CARE INSTRUCTIONS:

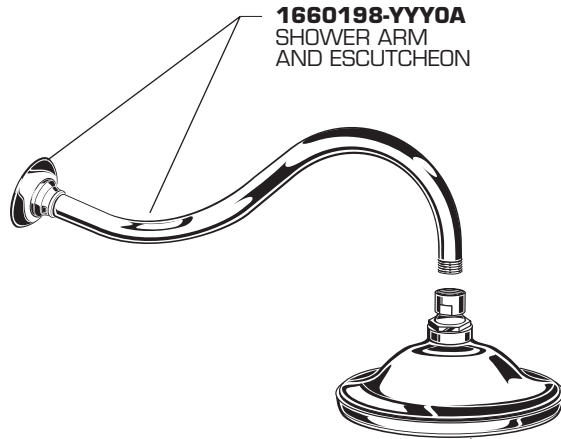
DO: SIMPLY RINSE THE PRODUCT CLEAN WITH CLEAR WATER. DRY WITH A SOFT COTTON FLANNEL CLOTH.

DO NOT: DO NOT CLEAN THE PRODUCT WITH SOAPS, ACID, POLISH, ABRASIVES, HARSH CLEANERS, OR A CLOTH WITH A COARSE SURFACE.

American Standard

**QUENTIN™
BATH/SHOWER
TRIM KITS
MODEL NUMBER**

**T440.502
T440.501
T440.500**



1660198-YYY0A
SHOWER ARM
AND ESCUTCHEON

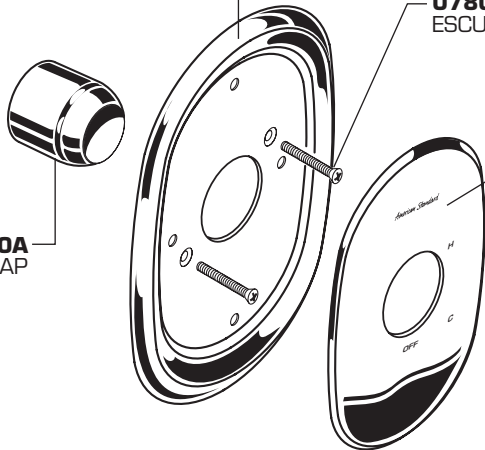
M953576-YYY0A
SHOWER HEAD

M962255-YYY0A
ESCUTCHEON AND SCREWS

078016-YYY0A
ESCUTCHEON SCREWS

M909623-YYY0A
DIAL PLATE

M907050-YYY0A
CARTRIDGE CAP



M964158-YYY0A
LEVER HANDLE KIT



M950267-YYY0A
DIVERTER SPOUT (SLIP-ON)

Replace the "YYY" with appropriate finish code

CHROME	002
OIL RUBBED BRONZE	224
SATIN NICKEL	295



HOT LINE FOR HELP

For toll-free information and answers to your questions, call:
1-800-442-1902
Weekdays 8:00 a.m. to 6:00 p.m. EST
IN CANADA 1-800-387-0369 (TORONTO 1-905-306-1093)
Weekdays 8:00 a.m. to 7:00 p.m. EST
IN MEXICO 01-800-839-12-00

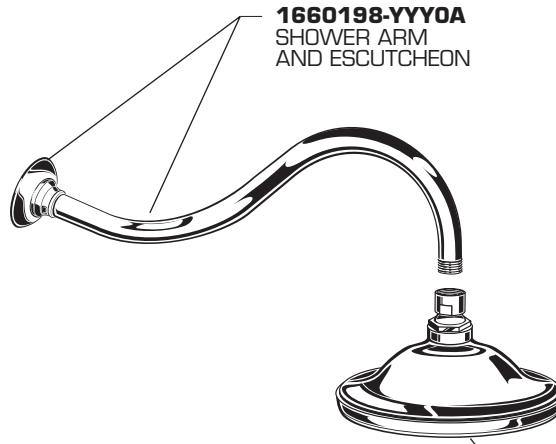
Product names listed herein are trademarks of American Standard Inc.
© AS America, Inc. 2011

M965236

American Standard

**QUENTIN™
BATH/SHOWER
TRIM KITS
MODEL NUMBER**

**T440.502
T440.501
T440.500**



1660198-YYY0A
SHOWER ARM
AND ESCUTCHEON

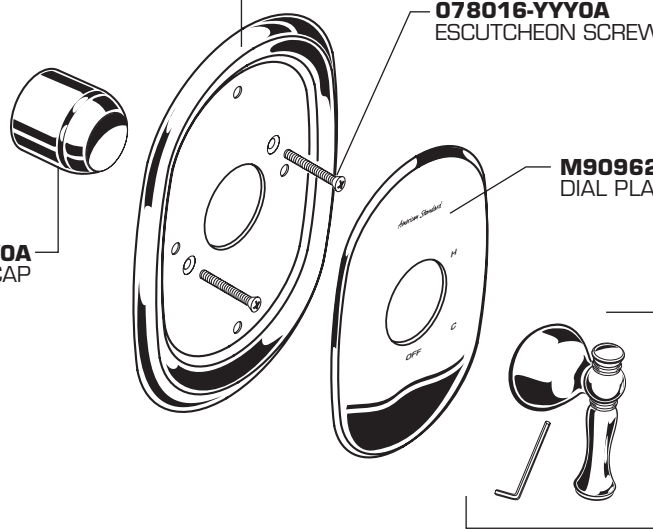
M953576-YYY0A
SHOWER HEAD

M962255-YYY0A
ESCUTCHEON AND SCREWS

078016-YYY0A
ESCUTCHEON SCREWS

M909623-YYY0A
DIAL PLATE

M907050-YYY0A
CARTRIDGE CAP



M964158-YYY0A
LEVER HANDLE KIT



M950267-YYY0A
DIVERTER SPOUT (SLIP-ON)

Replace the "YYY" with appropriate finish code

CHROME	002
OIL RUBBED BRONZE	224
SATIN NICKEL	295

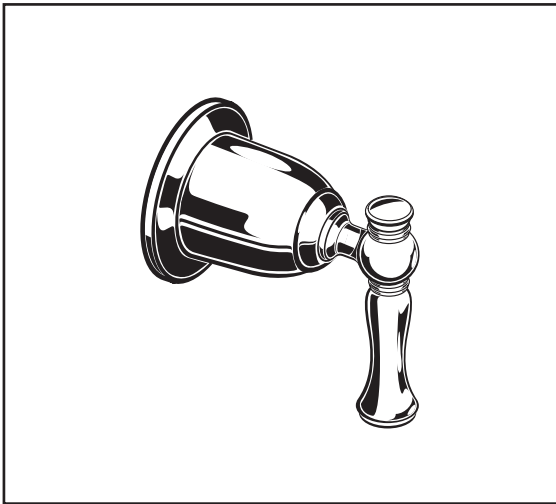


HOT LINE FOR HELP

For toll-free information and answers to your questions, call:
1-800-442-1902
Weekdays 8:00 a.m. to 6:00 p.m. EST
IN CANADA 1-800-387-0369 (TORONTO 1-905-306-1093)
Weekdays 8:00 a.m. to 7:00 p.m. EST
IN MEXICO 01-800-839-12-00

Product names listed herein are trademarks of American Standard Inc.
© AS America, Inc. 2011

M965236



MODEL NUMBER:

TRIM KITS:

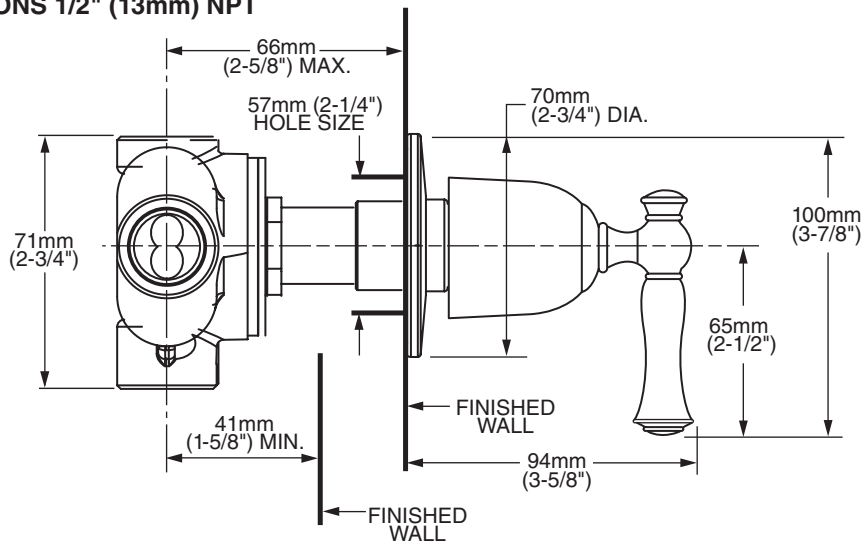
- T440.430 Quentin Diverter Valve Trim**
Valve Trim ONLY. Lever Handle. LESS Valve.

ROUGH VALVE BODIES:

- R420 Two-Way In-Wall Diverter Valve Rough**
1/2" NPT inlets/outlets. Less Handle.
- R430 Three-Way In-Wall Diverter Valve Rough**
1/2" NPT inlets/outlets. Less Handle.

NOTE: Cannot be used as a shut-off valve.

ALL CONNECTIONS 1/2" (13mm) NPT



GENERAL DESCRIPTION:

In-Wall Diverter: Rotational control alternates water flow between two (R420) or three (R430) different shower outlets (i.e. showerhead, handspray, body side spray or tub spout). Forged brass valve body. Mixed water inlet and two (R420) or three (R430) outlets are marked on back of valve body. 1/2" NPT connections on mixed water inlet and two (R420) or three (R430) outlets. Stamped brass escutcheon. Tub port with increased water flow (see chart).

NOTE: Cannot be used as a shut-off valve.

PRODUCT FEATURES:

Solid Brass Construction: Durable, ideal material for prolonged contact with water.

Removable Plaster Guard: Permits checking of valve installation prior to installing trim parts.

Choice of Finishes: Wide range of durable finishes.

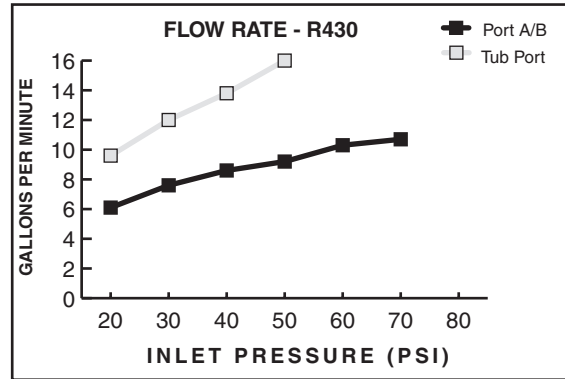
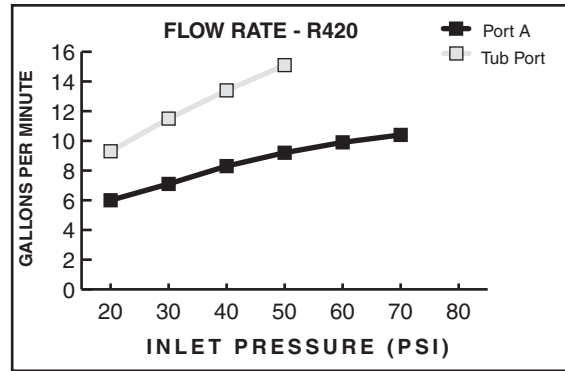
SUGGESTED SPECIFICATION


Two (three) way diverter shall feature a forged brass body with 1/2" NPT mixed water inlet and outlets. Fitting shall be American Standard Model # T440.430.____ (Diverter Valve Trim) and R4_0. (Rough Valve Body).

CODES AND STANDARDS

These products meet or exceed the following codes and standards:


- ASME A112.18.1
- CSA B125.1



TRIM KITS**	Product Number	Description	Finish Options		
			Polished Chrome	Oil Rubbed Bronze	PVD Satin Nickel
			002	224	295
T440.430	Diverter Valve Trim. Lever Handle. Less Valve.				

ROUGH VALVE BODIES	Product Number	Description
	R420	Two-Way In-Wall Diverter. Less Handle.
	R430	Three-Way In-Wall Diverter. Less Handle.

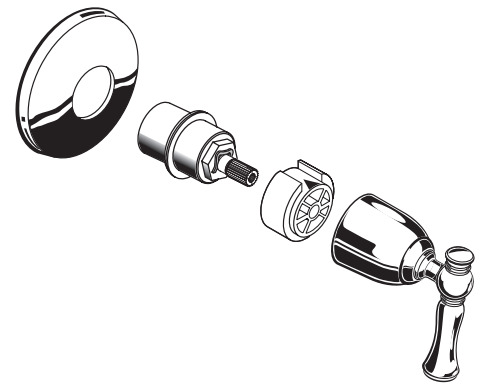
**** ROUGHS AND TRIMS MUST BE ORDERED SEPARATELY.**

 Meets the American Disabilities Act Guidelines and **ANSI A117.1** Requirements for the physically challenged.

American Standard

QUENTIN™ DIVERTER TRIM KIT

Installation Instructions T440.430



Thank you for selecting American-Standard...the benchmark of fine quality for over 100 years.

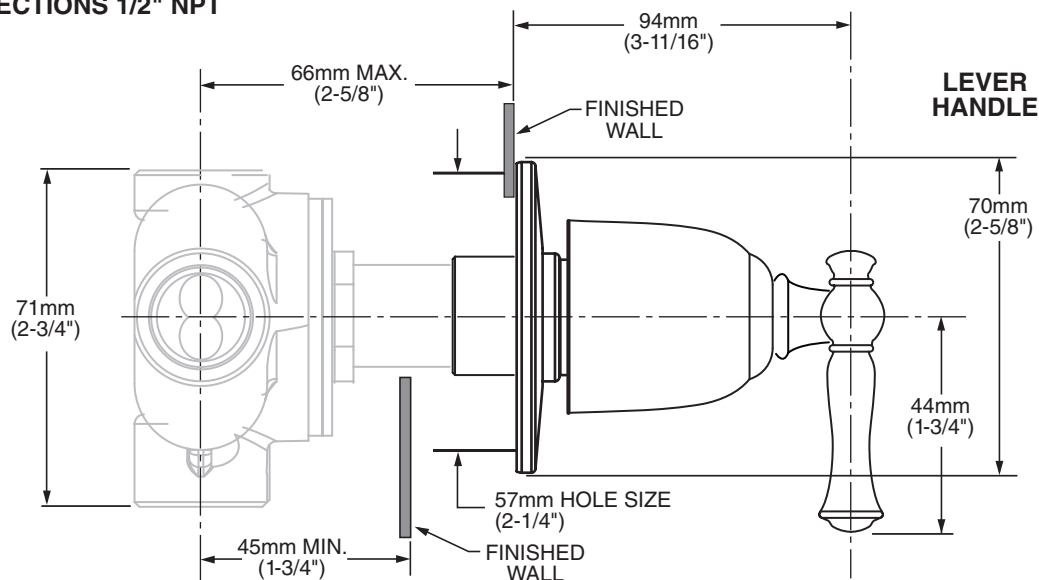
To ensure that your installation proceeds smoothly—please read these instructions carefully before you begin.

Certified to comply with ANSI A112.18.1

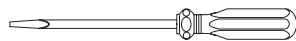
M965232 REV. 1.1

ROUGHING-IN DIMENSIONS

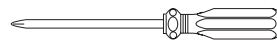
ALL CONNECTIONS 1/2" NPT



Recommended Tools



Flat Blade Screwdriver



Phillips Screwdriver

CARE INSTRUCTIONS:

- To keep your new faucet looking new, please follow these simple care instructions:

DO: ■ Simply rinse the faucet clean with clear water.
■ Dry the faucet with a soft cotton cloth.

DO NOT:

- Do not use any abrasive cleaners, cloths, or paper towels.
- Do not use any cleaning agents containing acids, polish abrasives, or harsh cleaners or soaps.

- Regular and routine cleaning will reduce the need for heavy cleaning and polishing. If heavy cleaning is required, the following procedures are recommended:

- Remove as much surface dirt and film using clear water and soft cotton cloth **(as described above)**.

- Use any of the following to remove tough surface film and build-up:

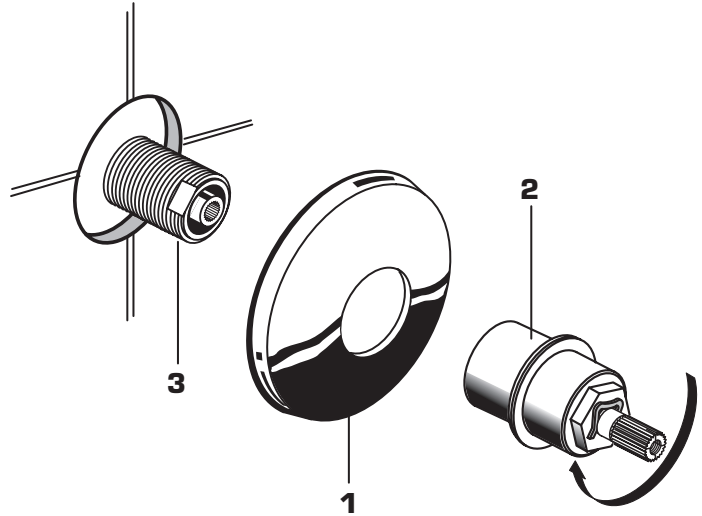
- Mild liquid detergents
- Clear ammonia free liquid glass cleaners
- Non-acidic, non-abrasive gentle liquid or fully dissolved powder cleansers mixed according to manufacturers directions.
- Non-abrasive liquid polishers

- Once clean, rinse faucet again with clear water to thoroughly remove cleaner or polish and blot dry with a soft cotton cloth.

Failure to follow these care instructions may damage the Faucet's finish.

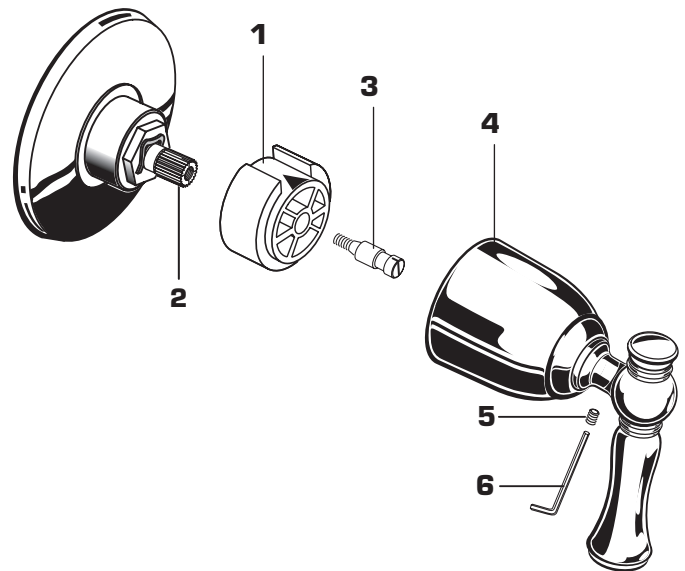
1 TRIM INSTALLATION

- Place ESCUTCHEON (1) onto ESCUTCHEON HOLDER (2).
- Align ESCUTCHEON (1). Thread ESCUTCHEON HOLDER (2) onto DIVERTER VALVE (3).
- Tighten until ESCUTCHEON (1) is snug against fished wall.



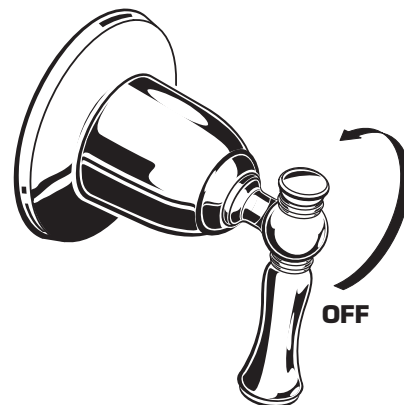
2 HANDLE INSTALLATION

- Install KNOB MOUNT (1) onto VALVE STEM (2).
- Thread HANDLE SCREW (3) into VALVE STEM (2) and tighten.
- Align HANDLE (4) and push onto KNOB MOUNT (1).
- Tighten SET SCREW (5) in handle with HEX WRENCH (6) SUPPLIED.



3 OPERATING THE VALVE

- Turn water supply on and test installed fitting.
- Rotate handle to all diverter positions to check operation of valve.
- Check for leaks.

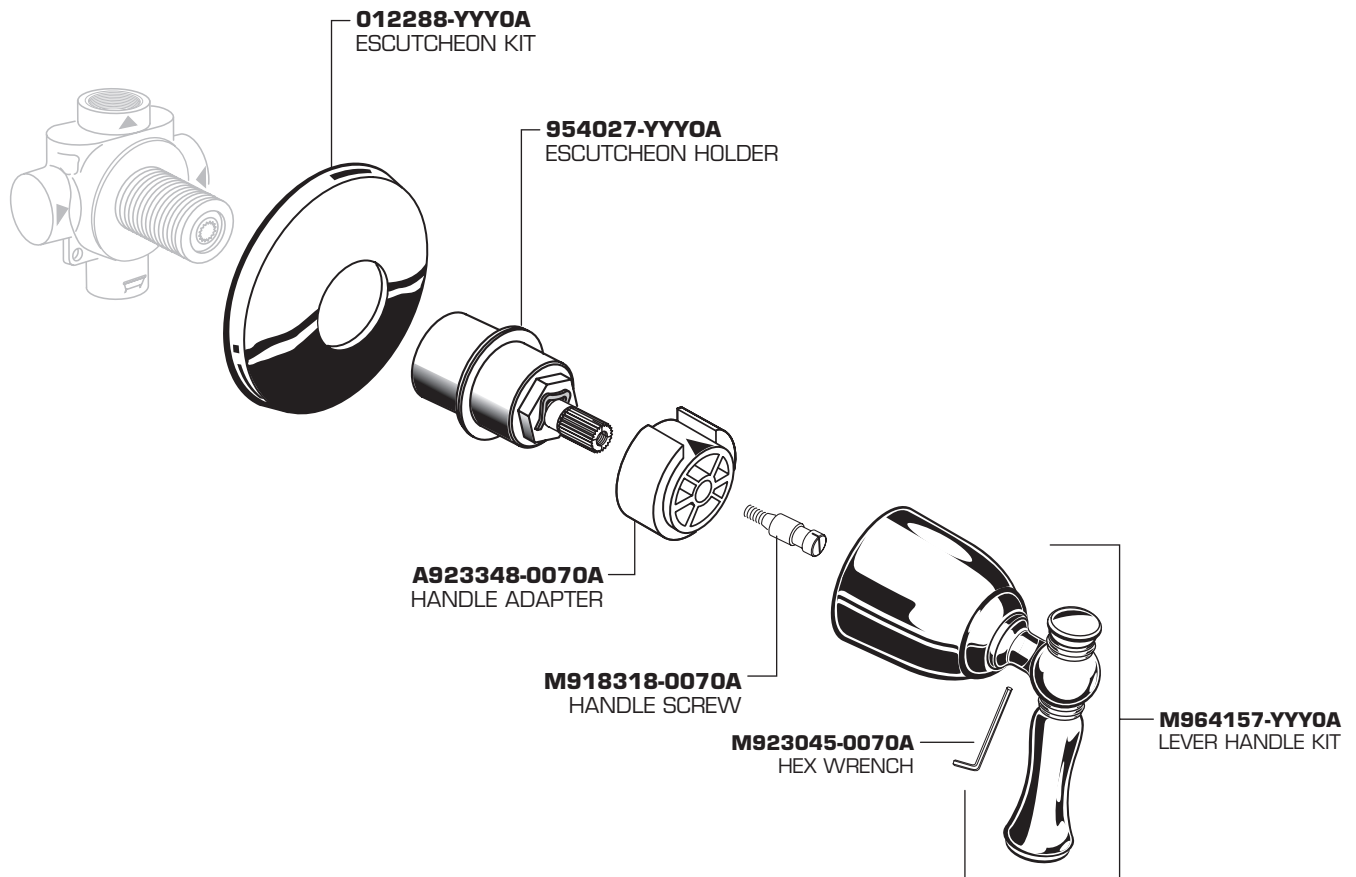


American Standard

QUENTIN™ DIVERTER TRIM KIT

MODEL NUMBERS

T440.430



Replace the "YYY" with appropriate finish code

CHROME	002
OIL RUBBED BRONZE	224
SATIN NICKEL	295



HOT LINE FOR HELP

For toll-free information and answers to your questions, call:
1-800-442-1902
Weekdays 8:00 a.m. to 6:00 p.m. EST
IN CANADA 1-800-387-0369 (TORONTO 1-905-306-1093)
Weekdays 8:00 a.m. to 7:00 p.m. EST
IN MEXICO 01-800-839-1200

Product names listed herein are trademarks of American Standard Inc.
© AS America, Inc. 2011

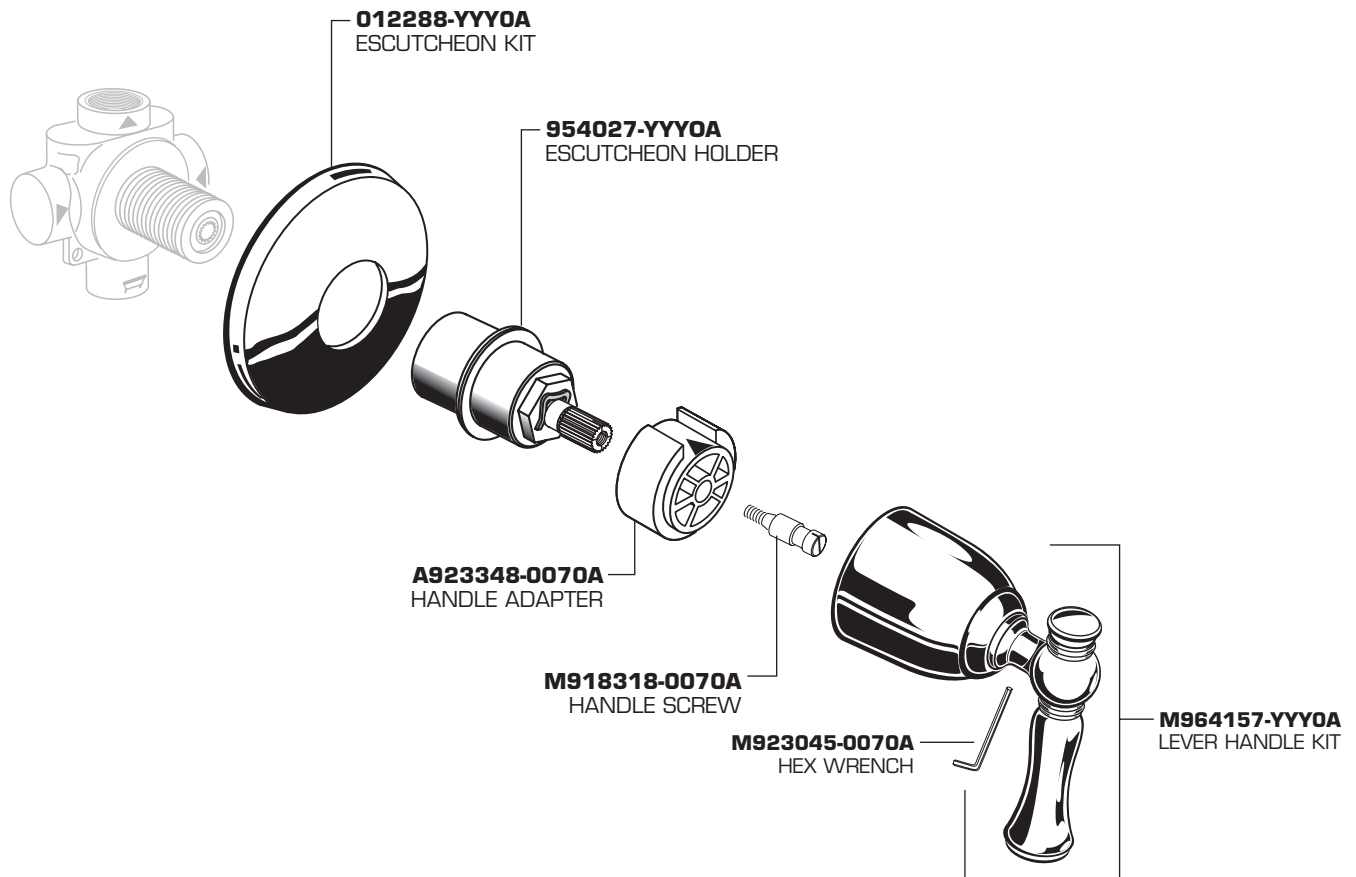
M965232 REV. 1.1

American Standard

QUENTIN™ DIVERTER TRIM KIT

MODEL NUMBERS

T440.430



Replace the "YYY" with appropriate finish code

CHROME	002
OIL RUBBED BRONZE	224
SATIN NICKEL	295

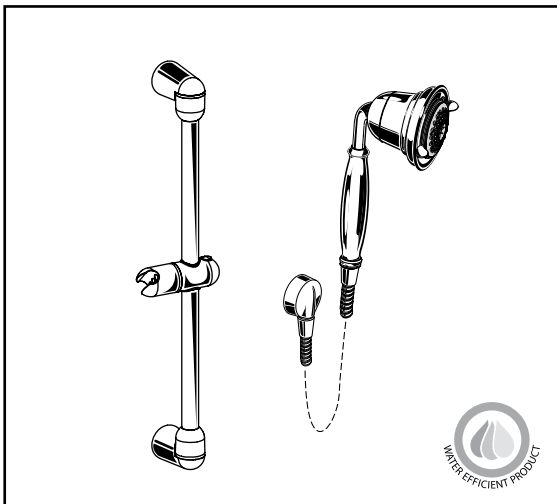


HOT LINE FOR HELP

For toll-free information and answers to your questions, call:
1-800-442-1902
Weekdays 8:00 a.m. to 6:00 p.m. EST
IN CANADA 1-800-387-0369 (TORONTO 1-905-306-1093)
Weekdays 8:00 a.m. to 7:00 p.m. EST
IN MEXICO 01-800-839-1200

Product names listed herein are trademarks of American Standard Inc.
© AS America, Inc. 2011

M965232 REV. 1.1

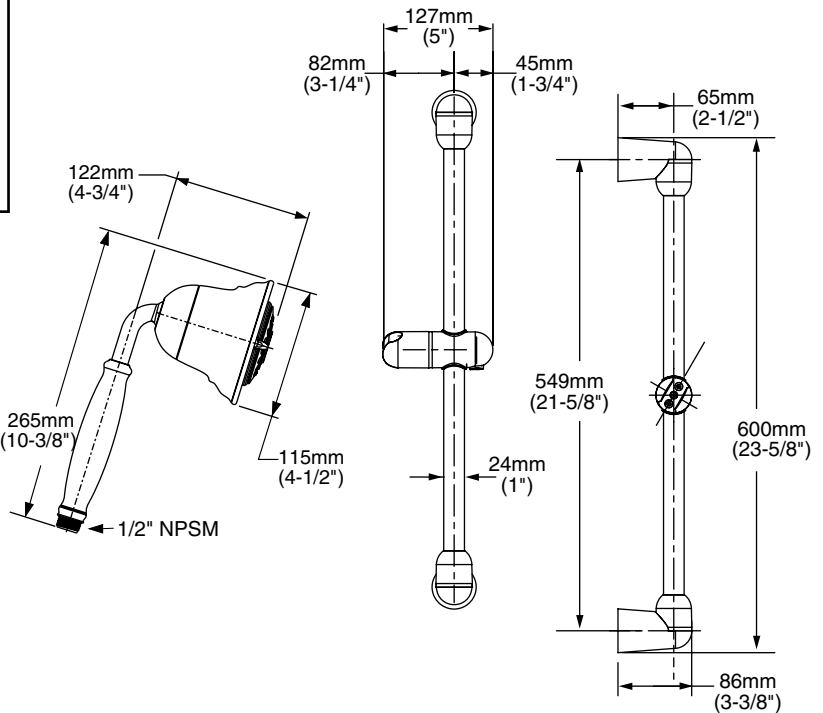
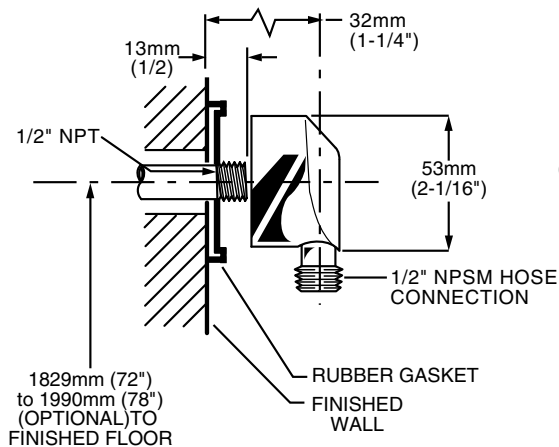


MODEL NUMBER:

☐ **1662.143 FloWise Traditional Shower System Kit**

Includes:

- FloWise Traditional 3-function Hand Shower
- Hose
- Wall Supply
- Standard Slide Bar



GENERAL DESCRIPTION:

Complete shower system kit includes: a wall supply with 1/2" NPT female inlet, 1/2" NPSM male outlet; a 59" (1500mm) shower hose; a FloWise water saving hand shower; and a 25" standard slide bar. Hand shower adjusts from an Ultra Water Saving Turbine Spray at 1.5gpm to a Combination spray at 2.0gpm to a Full spray at 2.0gpm. Hand shower uses 40% less water when in Ultra Water Saving mode and 20% when in Combination or Full spray modes. Hand Shower rated at 2.0gpm/7.6L/min. maximum flow rate. Auto Return feature always returns hand shower to 1.5gpm Ultra Water Saving mode when water is turned off. Hand shower always starts in Ultra Water Saving mode. Adjustable shower holder can be set at any height or position along the bar and angle up to 45°.

PRODUCT FEATURES:

HAND SHOWER

Water Saving: Saves up to 40% in water usage.

Auto Return: Hand shower always starts in ultra water savings mode for maximum water savings of 40%.

Variety of Spray Patterns: Allows the user to select the type of spray best suited to their needs.

SLIDE BAR

Simple Height Adjustment: Allows positioning of the personal shower anywhere along the bar.

SELECTION OF FINISHES

Available Finishes: Wide range of durable finishes.

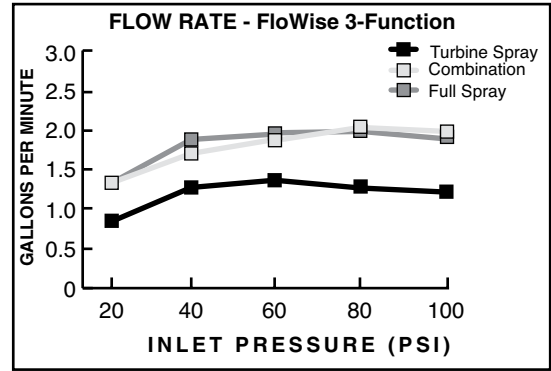
SUGGESTED SPECIFICATION:

Shower system shall feature a wall supply with 1/2" NPT female inlets, 1/2" NPSM male outlet, 59" hose, water saving hand shower and a 25" standard slide bar. Hand shower shall save up to 40% in water usage. Hand shower shall always start at 1.5gpm/5.7L/min. and have multiple functions for user's personal selection. Fitting shall be American Standard Model # 1662.143._____.

CODES AND STANDARDS

Install as required to comply with local code requirements.

ASME A112.18.1
CSA 125

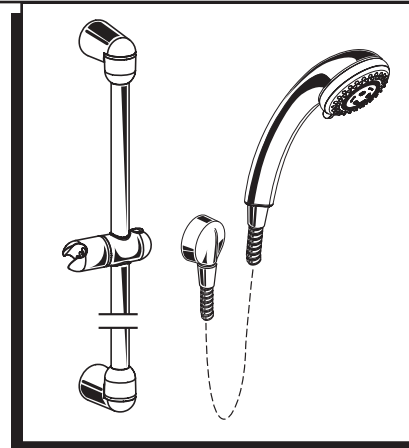


Product Number	Description	Finish Options		
		Polished Chrome	PVD Blackened Bronze	PVD Satin Nickel
		002	068	295
1662.143	FloWise Traditional Shower System Kit. Contains FloWise Traditional 3-function hand shower, hose, wall supply and standard slide bar.			

SHOWER SYSTEM KITS

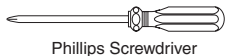
Thank you for selecting American-Standard...the benchmark of fine quality for over 100 years.

To ensure that your installation proceeds smoothly—please read these instructions carefully before you begin.

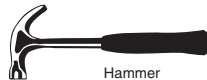


Certified to comply with ANSI A112.18.1
M968637 Rev 1.3

Recommended Tools & Materials



Phillips Screwdriver

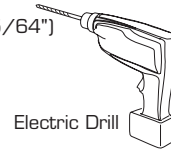


Hammer



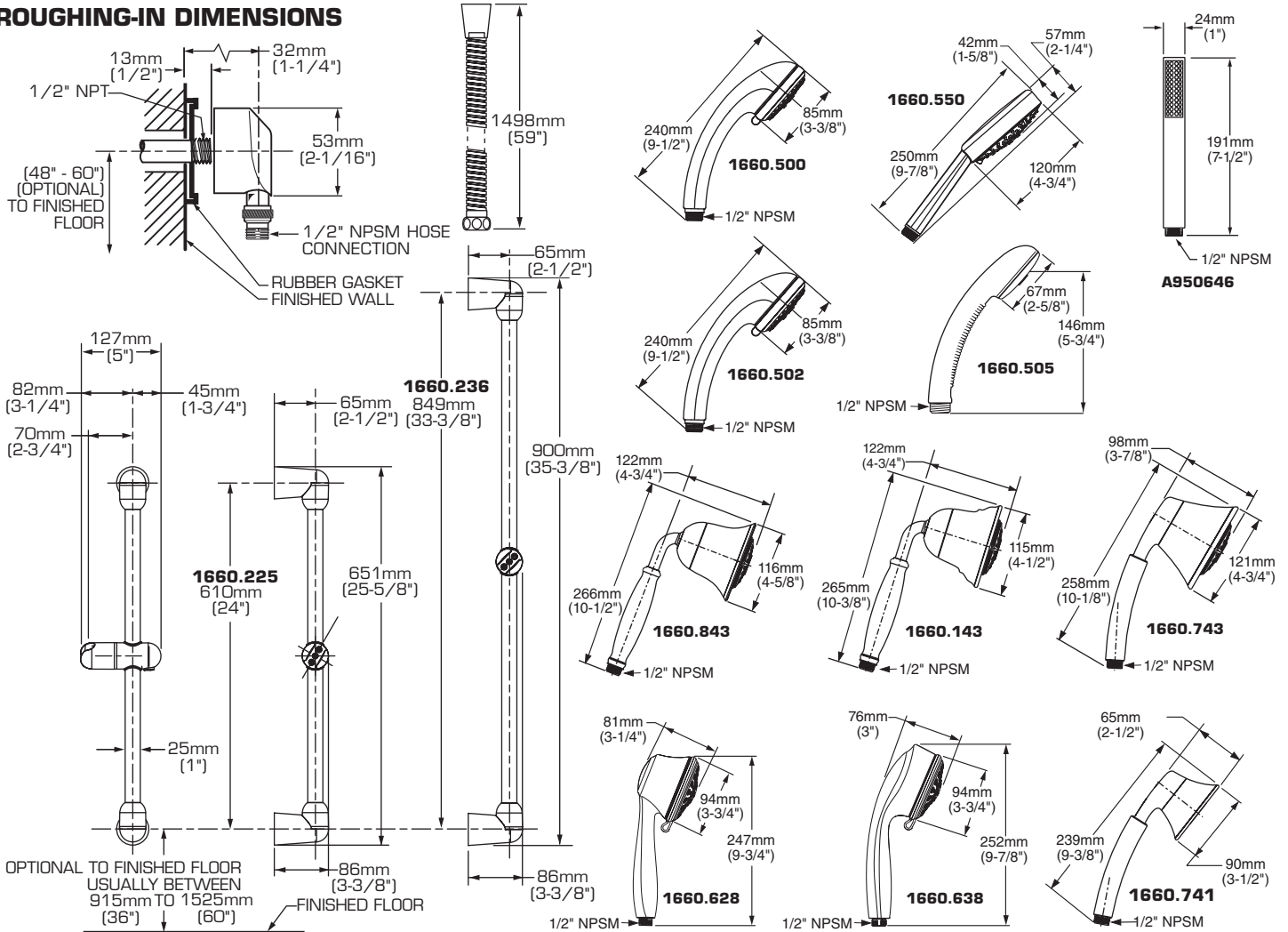
Pencil

6mm (15/64")
Drill Bit



Electric Drill

ROUGHING-IN DIMENSIONS



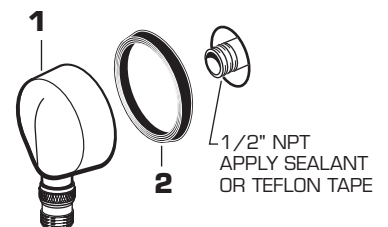
1

INSTALL WALL SUPPLY

CAUTION

Turn off hot and cold water supplies before beginning.

- Supply to WALL SUPPLY (1) is 1/2" NPT. See rough-in above for detailed information.
- Install RUBBER SEAL (2) onto WALL SUPPLY (1).
- Apply sealant or teflon tape to threads of 1/2" NPT supply nipple. Thread WALL SUPPLY (1) onto supply nipple making a water tight seal. WALL SUPPLY (1) with RUBBER SEAL (2) should be tight against finished wall.



2 INSTALL LOWER SUPPORT BRACKET

■ The SLIDE BAR works best when secured to the wall studs or cross brace using the WOOD SCREWS. If a mounting into the studs is not possible, use appropriate wall fasteners to provide secure installation.

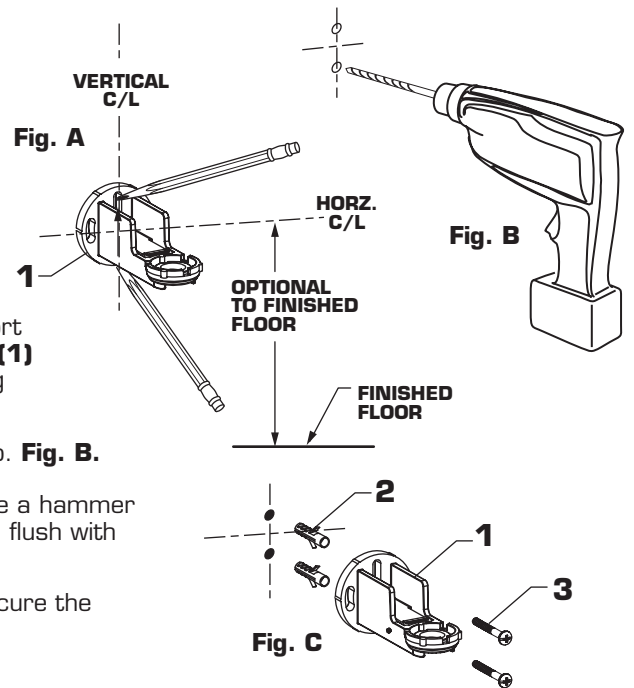
■ Mark a vertical center line in the location you wish to install the SLIDE BAR. **NOTE:** The height from the finished floor is optional. See rough-in drawing for suggested dimensions.

■ Determine desired height from the finished floor to the lower support and mark a horizontal center line. Place the MOUNTING BRACKET (1) on the center lines, with a pencil mark the location on the mounting holes to be drilled. **Fig. A.**

■ Using 15/64" diameter drill. Drill two mounting holes 1" max. deep. **Fig. B.**

■ Install the two ANCHORS (2) provided into the mounting holes. (Use a hammer to lightly tap ANCHORS (2) into place.) Make sure they are installed flush with the finished wall.

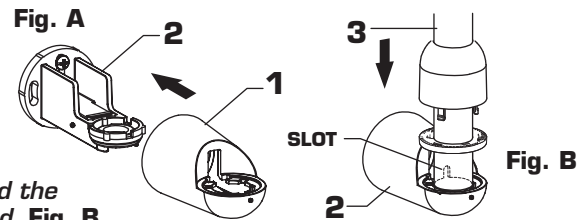
■ Place the MOUNTING BRACKET (1) over the ANCHORS (2) and secure the MOUNTING BRACKET (1) with the SCREWS (3) provided. **Fig. C.**



3 INSTALL SLIDE BAR

■ Slide the COVER (1) onto the MOUNTING BRACKET (2) flush against the wall. **Fig. A.**

■ Install the bottom of SLIDE BAR (3) into the MOUNTING BRACKET (2). **IMPORTANT:** The slot at the bottom of the slide bar must face toward the wall. Rotate the slide bar until it locks into place and cannot be turned. **Fig. B.**

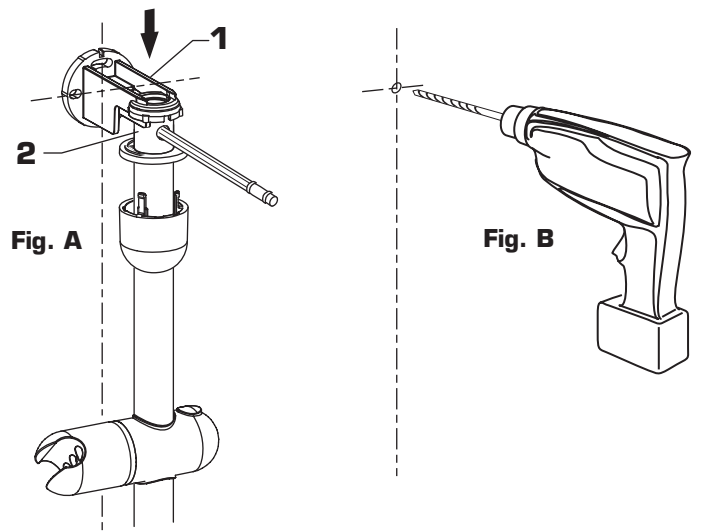


4 LOCATE UPPER MOUNTING BRACKET

■ Install the upper MOUNTING BRACKET (1) onto the SLIDE BAR (2). Align the MOUNTING BRACKET (1) with center lines and mark the center mounting hole with a pencil as shown. **Fig. A.**

■ Remove the SLIDE BAR (2) and set a side.

■ Using 15/64" diameter drill bit, drill mounting hole 1" max. deep. **Fig. B.**



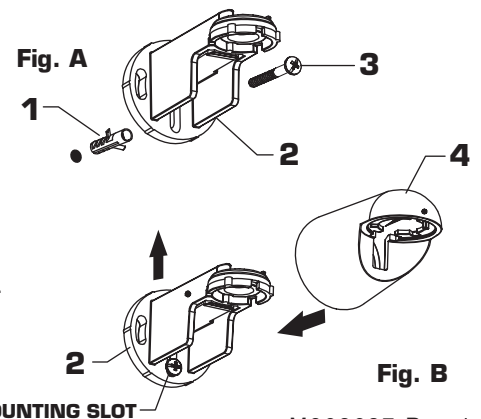
5 INSTALL UPPER MOUNTING BRACKET

■ Install the ANCHOR (1) provided into the mounting hole. Make sure it is installed flush with the finished wall. (Use a hammer to lightly tap ANCHOR (1) into place.)

■ Place the MOUNTING BRACKET (2) over the ANCHOR (1) and secure the MOUNTING BRACKET (2) with the SCREW (3) provided. **NOTE:** Do not tighten fully.

■ Slide the MOUNTING BRACKET (2) up against the bottom of the mounting slot..

■ Slide the COVER (4) onto the MOUNTING BRACKET (2) flush against the wall.

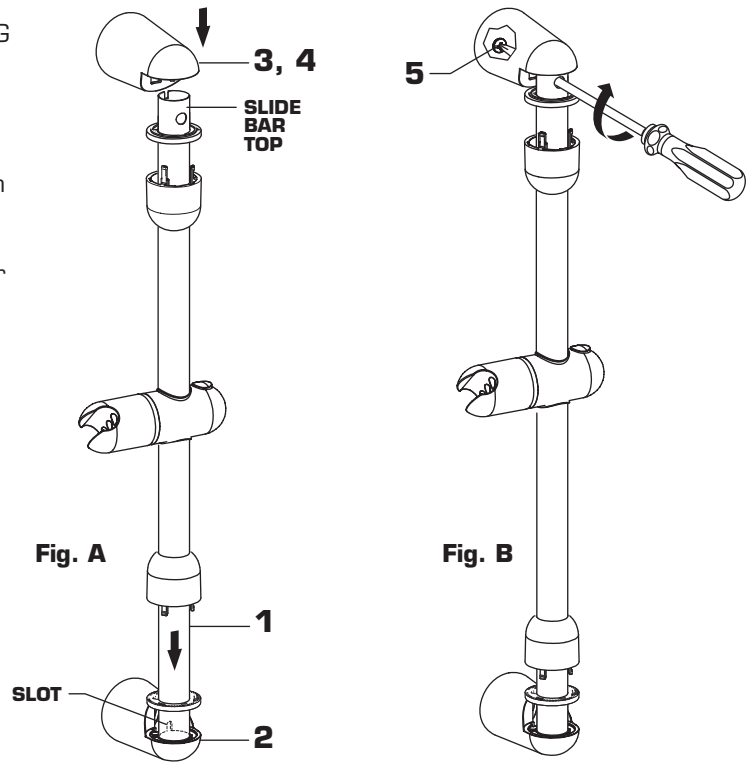


BOTTOM OF MOUNTING SLOT

6

INSTALL SLIDE BAR INTO MOUNTING BRACKETS

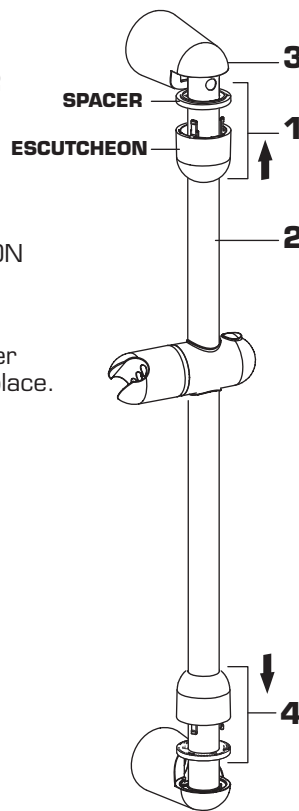
- Install the SLIDE BAR (1) back into the lower MOUNTING BRACKET (2). **IMPORTANT: The slot at the bottom of the slide bar must face toward the wall. Rotate the slide bar until it locks into place and cannot be turned. Fig. A.**
- Push top COVER (3) and MOUNTING BRACKET (4) down onto top of SLIDE BAR (1). **Fig. A.**
- Tighten MOUNTING SCREW (5) with phillips screw driver to secure assembly to wall. **Fig. B**



7

FINISH INSTALLATION

- Align the ESCUTCHEON and SPACER so that the spacer is sitting on the ESCUTCHEON.
- Rotate the upper ESCUTCHEON and SPACER (1) on SLIDE BAR (2) until the three snap arms align with the holes in the cover. Push ESCUTCHEON and SPACER (1) into COVER (3) until it snaps in place.
- Repeat above steps to snap the lower ESCUTCHEON and SPACER (4) into place.

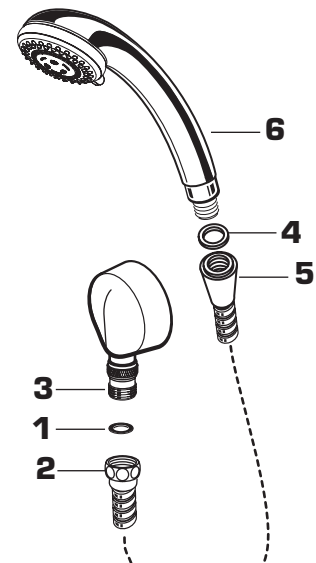


8

INSTALL HOSE AND HAND SHOWER

- Install SEAL (1) into COUPLING NUT (2). Connect COUPLING NUT (2) to WALL SUPPLY NIPPLE (3) and tighten.
- Install second SEAL (4) into SPRAY HOSE END (5) and connect HAND SHOWER (6) to SPRAY HOSE END (5). Hand tighten.

INSTALL second SEAL (4) into SPRAY HOSE END (5) and connect HAND SHOWER (6) to SPRAY HOSE END (5). Hand tighten.



CARE INSTRUCTIONS:

DO: SIMPLY RINSE THE PRODUCT CLEAN WITH CLEAR WATER. DRY WITH A SOFT COTTON FLANNEL CLOTH.

DO NOT: DO NOT CLEAN THE PRODUCT WITH SOAPS, ACID, POLISH, ABRASIVES, HARSH CLEANERS, OR A CLOTH WITH A COARSE SURFACE.

1660500.XXX
HAND SHOWER

1660550.XXX
HAND SHOWER

1660628.XXX
HAND SHOWER

1660741.XXX
HAND SHOWER

1660143.XXX
HAND SHOWER

A950646-YYY0A
HAND SHOWER

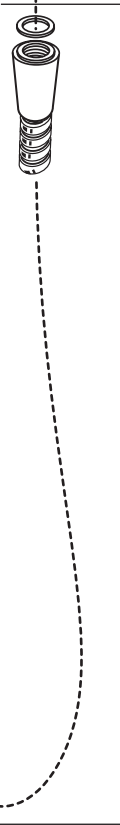
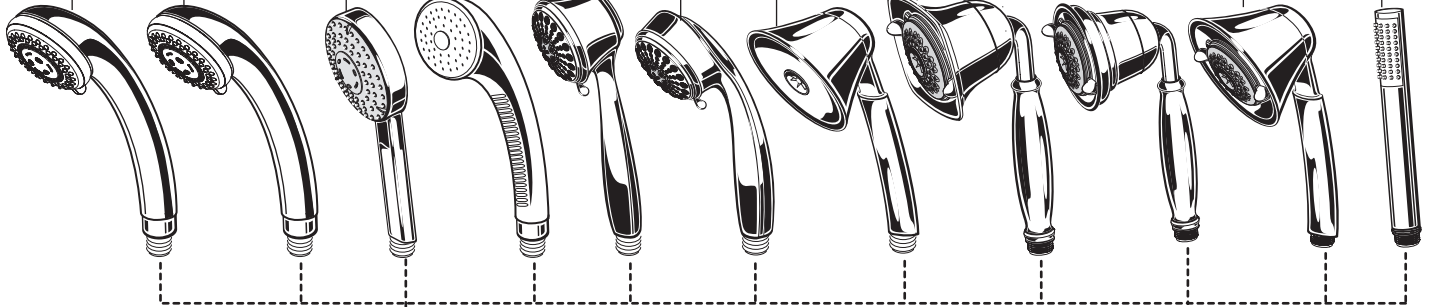
1660502.XXX
HAND SHOWER

1660505.XXX
HAND SHOWER

1660638.XXX
HAND SHOWER

1660843.XXX
HAND SHOWER

1660743.XXX
HAND SHOWER



8888037.YYY
WALL SUPPLY

M962520-YYY0A
CHECK VALVE

030782-0020A
HOSE KIT

M962506-YYY0A
SUPPORT BRACKET

M919213-YYY0A
24" SLIDE BAR

M919211-YYY0A
36" SLIDE BAR

M962507-YYY0A
HAND SHOWER HOLDER

M950105-0070A
HARDWARE KIT

Replace the "YYY" and "XXX" with appropriate finish code

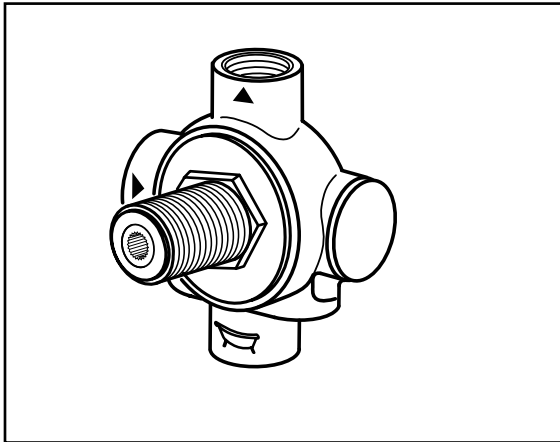
CHROME	002
POLISHED BRASS	099
SATIN NICKEL	295



HOT LINE FOR HELP
For toll-free information and answers to your questions, call:
1-800 442-1902
Weekdays 8:00 a.m. to 8:00 p.m. EST
IN MEXICO 01-800-839-1200
IN CANADA 1-800-387-0369 (TORONTO 1-905-306-1093)
Weekdays 8:00 a.m. to 7:00 p.m. EST

Product names listed herein are trademarks of American Standard Inc.
© AS America, Inc. 2009

M962506-YYY0A
SUPPORT BRACKET



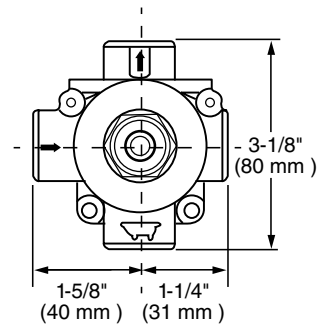
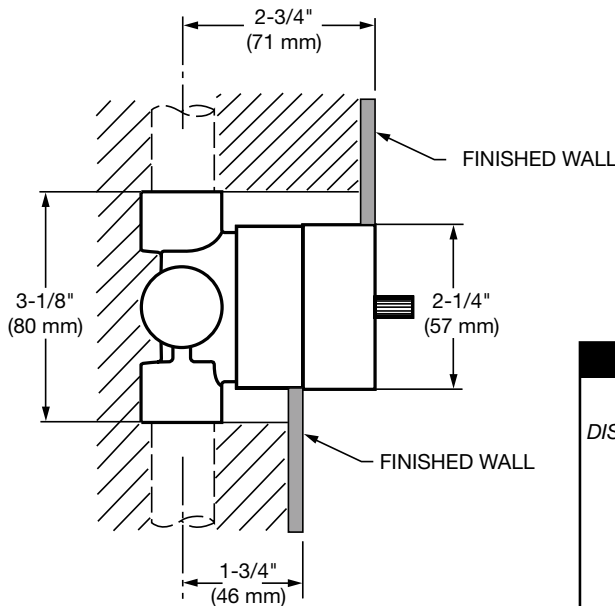
MODEL NUMBER:

- **R422 Two-Way In-Wall Diverter Valve Rough (Discrete)**

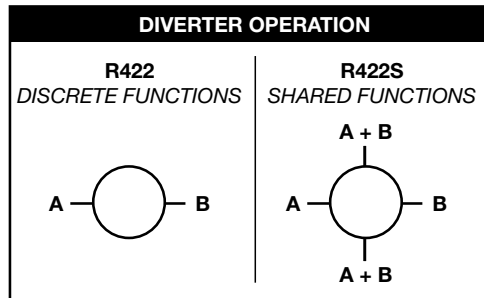
1/2" NPT inlets/outlets. 2 Discrete functions. LESS Handle.

- **R422S Two-Way In-Wall Diverter Valve Rough (Shared)**

1/2" NPT inlets/outlets. 2 Discrete/1 Shared functions. LESS Handle.



ALL CONNECTIONS 1/2" NPT



GENERAL DESCRIPTION:

In-Wall Diverter: Rotational control alternates water flow between two different shower outlets (i.e. showerhead, handspray, body side spray or tub spout). Forged brass valve body. Mixed water inlet and two outlets are marked on back of valve body. 1/2" NPT connections on mixed water inlet and two outlets. Stamped brass escutcheon. Tub port with increased water flow (see chart).

NOTE: Cannot be used as a shut-off valve.

PRODUCT FEATURES:

Solid Brass Construction: Durable, ideal material for prolonged contact with water.

Removable Plaster Guard: Permits checking of valve installation prior to installing trim parts.


SUGGESTED SPECIFICATION

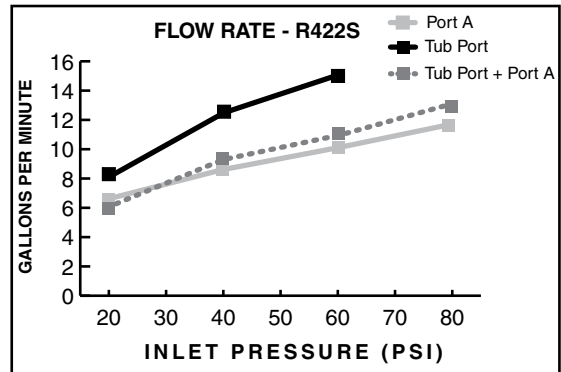
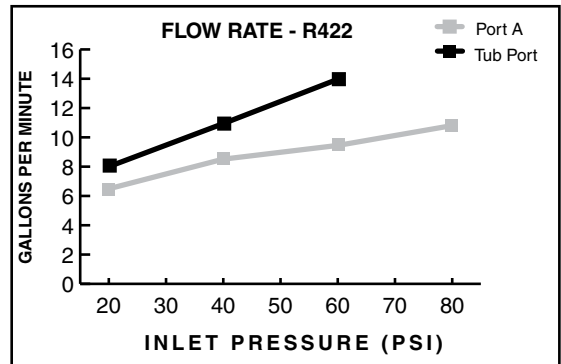
Two way diverter shall feature a forged brass body with 1/2" NPT mixed water inlet and outlets. Fitting shall be American Standard Model # R422_.

CODES AND STANDARDS

These products meet or exceed the following codes and standards:

ASME A112.18.1
CSA B125.1





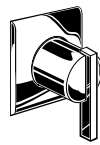
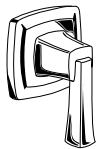














 Meets the American Disabilities Act Guidelines and **ANSI A117.1** Requirements for the physically challenged.

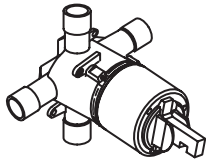


ROUGH VALVE BODIES	Product Number	Description
	R422*	Two-Way In-Wall Diverter. 2 Discrete functions. LESS handle.
	R422S*	Two-Way In-Wall Diverter. 2 Discrete/1 Shared functions. LESS handle.

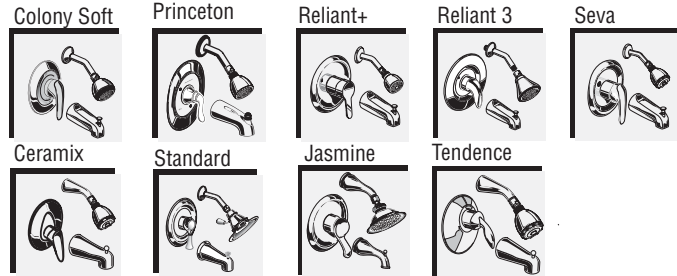
*Rough and Trim must be ordered separately.

R422 and R422S will accept the following handles:

AVAILABLE TRIM KITS	Town Square®	Serin®	Green Tea®	Moments®	Times Square®	Townsend®
						
	T555.430 	T064.430 	T010.430 	T506.430 	T184.430 	T353.430 
	Berwick®	Berwick®	Portsmouth®	Portsmouth®	Quentin®	
						
T430.430 	T430.432	T420.430 	T420.432	T440.430 		



Available Trim Kits



R120 Valve Body Shown

GENERAL DESCRIPTION:

Cast brass body, washerless 47mm ceramic disc valve cartridge with volume and temperature control, and hot limit safety stop. Pressure balancing cartridge maintains constant output temperature in response to changes in relative hot and cold supply pressure. One-half inch inlets and outlets (choice of direct sweat or threaded). Available with screwdriver stops. Rough-in plaster guard designed for use as thin-wall mounting adaptor. Valve body will accept a variety of decorative Bath/Shower trim kits.

PRODUCT FEATURES:

Cast Brass Valve Body: Durable - Quality that will last a lifetime. Ideal material for prolonged contact with water.

Ceramic Disc Valve Cartridge: Assures a lifetime of drip-free performance. Allows easy control over both water temperature and volume.

Pressure Balancing Valve Cartridge: Maintains constant output temperature in response to changes in relative hot and cold supply pressure. Diaphragm system engineered to eliminate cross flow. Avoids failure due to mineral deposits - ideal for use in hard water.

Adjustable Hot Limit Safety Stop: Limits the amount of hot water allowed to mix with cold. Reduces the risk of accidental scalding.

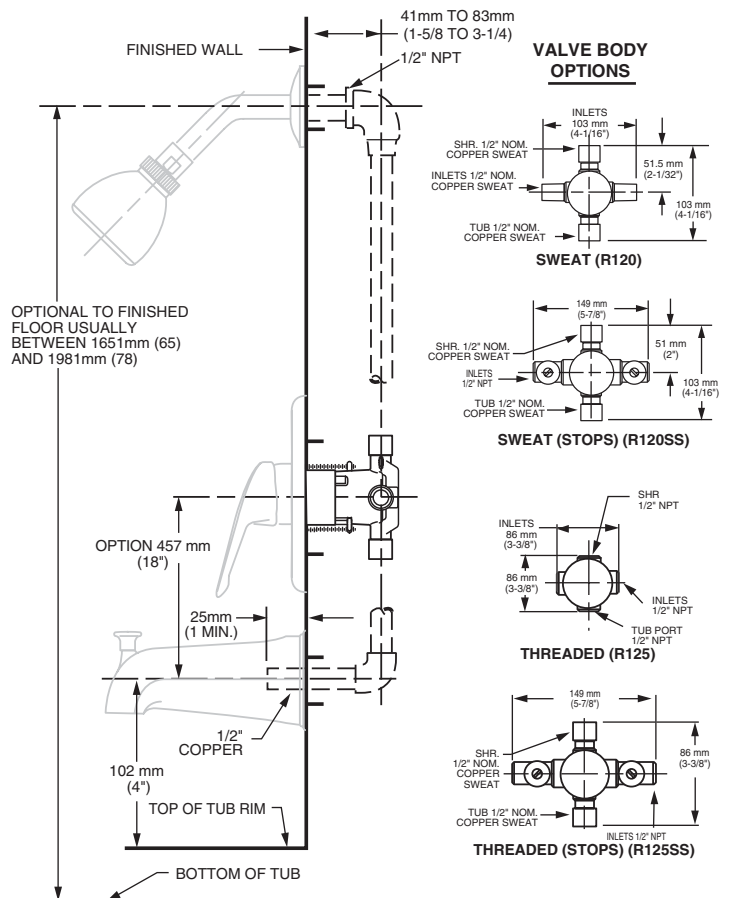
Exclusive Plaster Guard: Plaster guard is designed to protect valve during installation and serve as a mounting plate for thin-wall installations. Two piece design allows valve to be tested prior to trim installation.

Wide Rough-in Range: From 1-5/8" to 3-1/4".

MODEL NUMBER:

- ❑ **R120 Pressure Balance Rough Valve Body only**
Direct sweat inlets/outlets. LESS trim.
- ❑ **R120SS Pressure Balance Rough Valve Body only with Screwdriver stops**
Direct sweat inlets/outlets. Screwdriver stops. LESS trim.
- ❑ **R125 Pressure Balance Rough Valve Body only**
Female thread inlets/outlets. LESS trim.
- ❑ **R125SS Pressure Balance Rough Valve Body only with Screwdriver stops**
Female thread inlets/outlets. Screwdriver stops. LESS trim.

See reverse for available trim kits.



SUGGESTED SPECIFICATION:

Bath/shower fitting shall feature a cast brass valve body. Shall feature ceramic disc valve cartridge which allows user to control both water temperature and volume. Fitting shall be equipped with pressure balancing cartridge engineered to eliminate cross flow and avoid failure due to mineral deposits. Shall also feature a hot limit safety stop. Fitting shall be: Rough Valve Body - American Standard Model # R12____, Trim Kit - American Standard Model # _____.

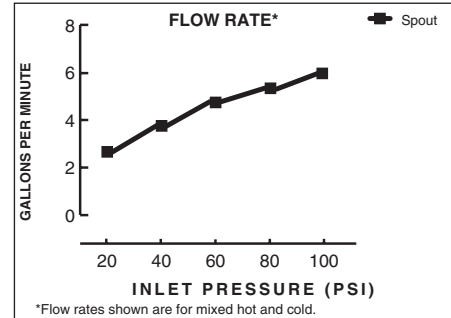
UPGRADABLE PRESSURE BALANCE BATH/SOWER FITTING VOLUME AND TEMPERATURE CONTROL VALVE

Valve + Trim: Trim Kit & Valve Body Packaged Separately

To order: Specify valve body *and* trim kit desired

Example: R120 - Direct Sweat Valve Body

T495.502 - Reliant+ Bath/Shower Trim Kit



CODES AND STANDARDS

These products meet or exceed the following codes and standards:

ANSI A 117.1

ASSE 1016

ASME A112.18.1

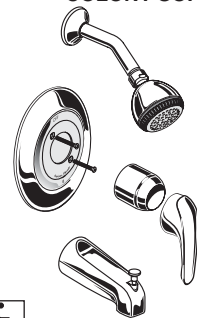

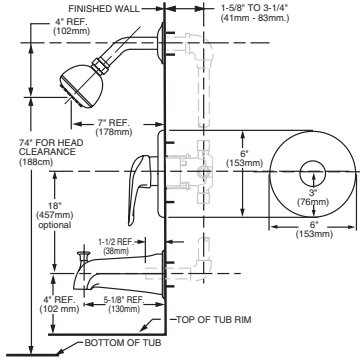


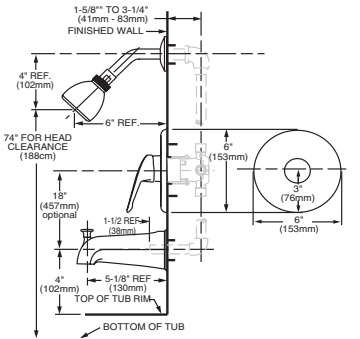
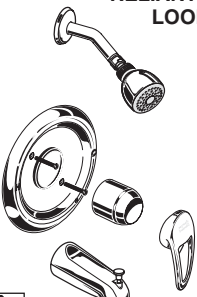

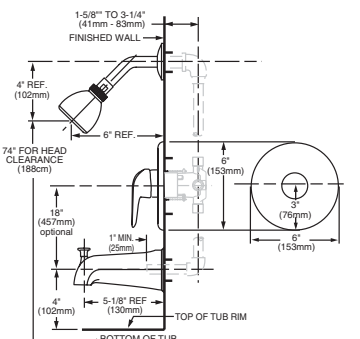


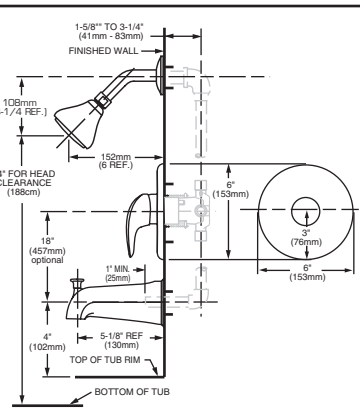
CSA B 125

• Showerhead with 2.5gpm/9.5L.min. flow restrictor.


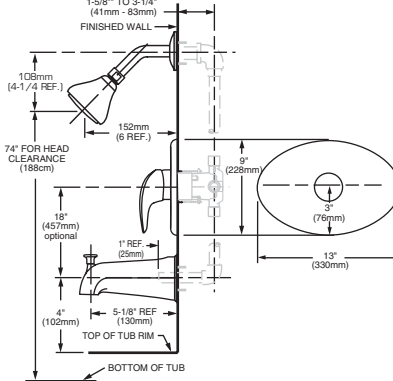

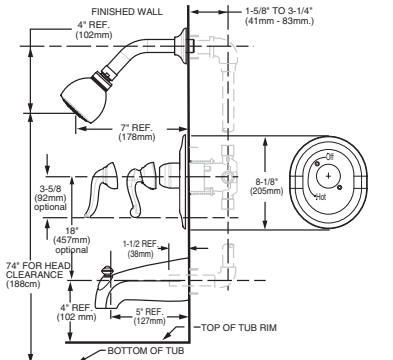
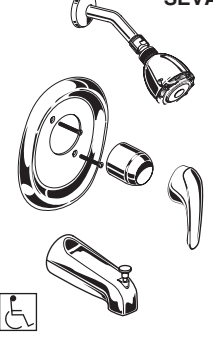
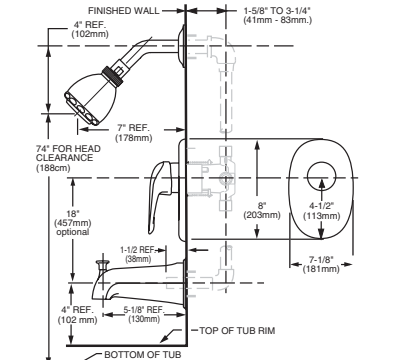
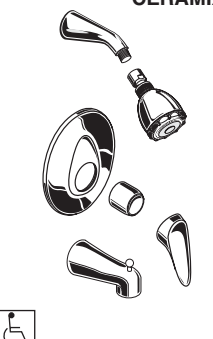
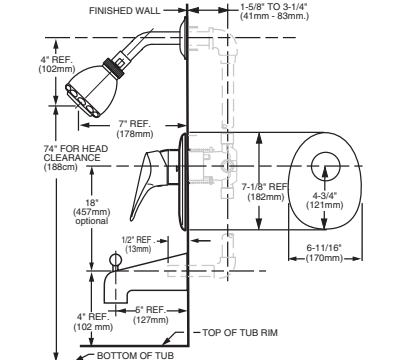
VALVES				
	R120	R120SS	R125	R125SS
	Direct Sweat Inlets/Outlets	Direct Sweat Inlets/Outlets w/ Screwdriver Stops	Female Thread Inlets/Outlets	Female Thread Inlets/Outlets w/ Screwdriver Stops

TRIM KITS	Colony "Soft"	Reliant+ Lever	Reliant 3	Princeton	Seva	Ceramic	Standard	Jasmine	Tendence
B/S	T675.502	T495.502	T385.502	T508.502	T480.502	T000.502	T6282	T808.502	T086.502
Shower	T675.501	T495.501	T385.501	T508.501	T480.501	T000.501	T6281	T808.501	T086.501
Valve	T675.500	T495.500	T385.500	T508.500	T480.500	T000.500	T6280	T808.500	T086.500
		Reliant+ Loop 	Reliant 3 w/mod Plate 						
		T495.562	T385.522						
		T495.561	T385.521						
		T495.560	T385.520						



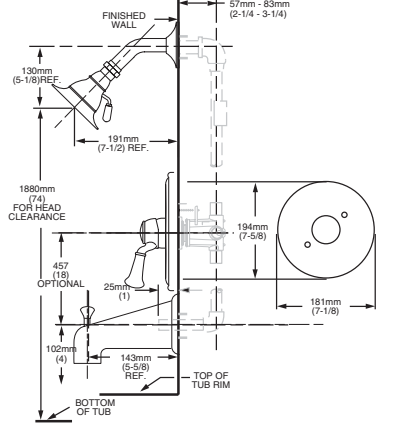


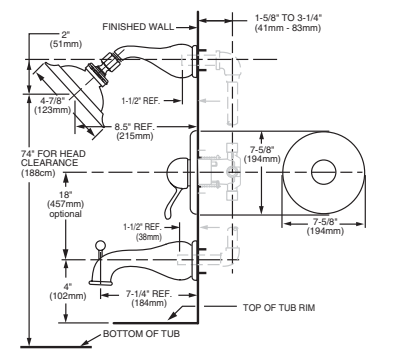
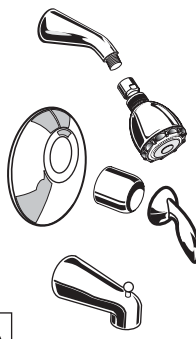

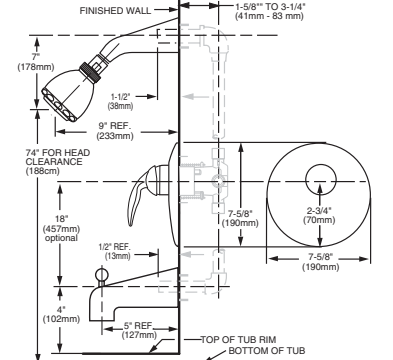
Trim Kits for R120, R120SS, R125, R125SS rough valve bodies. Showerhead with 2.5gpm/9.5L/min. maximum flow. **TRIM KITS ONLY. VALVE MUST BE ORDERED SEPARATELY.** Trim Kits for R120, R120SS, R125, R125SS rough valve bodies. Showerhead with 2.5gpm/9.5L/min. maximum flow. **TRIM KITS ONLY. VALVE MUST BE ORDERED SEPARATELY.**

Trim Kit	Model # Description	Finishes*	Roughing-In Dimensions
<p>COLONY SOFT</p>  <p></p>	<p>T675.502 BATH/SHOWER Trim Kit</p> <ul style="list-style-type: none"> • Metal Lever handle • "Easy Clean" Showerhead • Shower arm and flange • Slip-on Diverter tub spout <p>T675.501 SHOWER ONLY Trim Kit</p> <ul style="list-style-type: none"> • Metal Lever handle • "Easy Clean" Showerhead • Shower arm and flange <p>T675.500 VALVE ONLY Trim Kit</p> <ul style="list-style-type: none"> • Metal Lever handle 	<p>.002 Polished Chrome .099 Polished Brass (PVD)</p>	
<p>RELIANT+</p>  <p></p>	<p>T495.502 BATH/SHOWER Trim Kit</p> <ul style="list-style-type: none"> • Brass wall escutcheon • Metal Lever handle • "Easy Clean" Showerhead • Shower arm and flange • Slip-on Diverter tub spout <p>T495.501 SHOWER ONLY Trim Kit</p> <ul style="list-style-type: none"> • Brass wall escutcheon • Metal Lever handle • "Easy Clean" Showerhead • Shower arm and flange <p>T495.500 VALVE ONLY Trim Kit</p> <ul style="list-style-type: none"> • Brass wall escutcheon • Metal Lever handle 	<p>.002 Polished Chrome .099 Polished Brass (PVD) .299 Pol. Chrome/Brass (PVD) mix.</p>	
<p>RELIANT+ LOOP</p>  <p></p>	<p>T495.562 BATH/SHOWER Trim Kit</p> <ul style="list-style-type: none"> • Brass wall escutcheon • Metal Lever Loop handle • "Easy Clean" Showerhead • Shower arm and flange • Slip-on Diverter tub spout <p>T495.561 SHOWER ONLY Trim Kit</p> <ul style="list-style-type: none"> • Brass wall escutcheon • Metal Lever Loop handle • "Easy Clean" Showerhead • Shower arm and flange <p>T495.560 VALVE ONLY Trim Kit</p> <ul style="list-style-type: none"> • Brass wall escutcheon • Metal Lever Loop handle 	<p>.002 Polished Chrome .099 Polished Brass (PVD) .299 Pol. Chrome/Brass (PVD) mix.</p>	
<p>Reliant 3</p>  <p></p>	<p>T385.502 BATH/SHOWER Trim Kit</p> <ul style="list-style-type: none"> • Metal wall escutcheon • Metal lever handle • "Easy Clean" Showerhead • Shower arm and flange • Slip-on diverter tub spout • LESS valve <p>T385.501 SHOWER ONLY Trim Kit</p> <ul style="list-style-type: none"> • Metal wall escutcheon • Metal lever handle • "Easy Clean" Showerhead • Shower arm and flange • LESS valve <p>T385.500 VALVE ONLY Trim Kit</p> <ul style="list-style-type: none"> • Metal wall escutcheon • Metal lever Handle • LESS valve 	<p>.002 Polished Chrome .295 Satin Nickel (PVD)</p>	

Trim Kits for R120, R120SS, R125, R125SS rough valve bodies. Showerhead with 2.5gpm/9.5L/min. maximum flow. **TRIM KITS ONLY. VALVE MUST BE ORDERED SEPARATELY.**

Trim Kit	Model # Description	Finishes*	Roughing-In Dimensions
<p>Reliant 3</p> 	<p>T385.522 BATH/SHOWER Trim Kit</p> <ul style="list-style-type: none"> • Metal wall escutcheon • Metal lever Loop handle • "Easy Clean" Showerhead • Shower arm and flange • Slip-on diverter tub spout • LESS valve <p>T385.521 SHOWER ONLY Trim Kit</p> <ul style="list-style-type: none"> • Metal wall escutcheon • Metal lever Loop handle • "Easy Clean" Showerhead • Shower arm and flange • LESS valve <p>T385.520 VALVE ONLY Trim Kit</p> <ul style="list-style-type: none"> • Metal wall escutcheon • Metal lever Loop Handle • LESS valve 	<p>.002 Polished Chrome .295 Satin Nickel (PVD)</p>	
<p>PRINCETON</p> 	<p>T508.502 BATH/SHOWER Trim Kit</p> <ul style="list-style-type: none"> • Metal Lever Handle • Wall escutcheon • Showerhead, arm and flange • Slip-on diverter tub spout • LESS Valve <p>T508.501 SHOWER ONLY Trim Kit</p> <ul style="list-style-type: none"> • Metal Lever Handle • Wall escutcheon • Showerhead, arm and flange • LESS Valve <p>T508.500 VALVE ONLY Trim Kit</p> <ul style="list-style-type: none"> • Metal Lever Handle • Wall escutcheon • LESS Valve 	<p>.002 Polished Chrome .295 Satin Nickel (PVD)</p>	
<p>SEVA</p> 	<p>T480.502 BATH/SHOWER Trim Kit</p> <ul style="list-style-type: none"> • Brass wall escutcheon • Metal Lever handle • "Vario" adjustable showerhead • Shower arm and flange • Slip-on Diverter tub spout <p>T480.501 SHOWER ONLY Trim Kit</p> <ul style="list-style-type: none"> • Brass wall escutcheon • Metal Lever handle • "Vario" adjustable showerhead • Shower arm and flange <p>T480.500 VALVE ONLY Trim Kit</p> <ul style="list-style-type: none"> • Brass wall escutcheon • Metal Lever handle 	<p>.002 Polished Chrome .295 Satin Nickel (PVD) .299 Pol. Chrome/Brass (PVD) mix.</p>	
<p>CERAMIX</p> 	<p>T000.502 BATH/SHOWER Trim Kit</p> <ul style="list-style-type: none"> • Brass wall escutcheon • Metal Lever handle • "Vario" adjustable showerhead • Cast Brass shower arm • Cast Brass diverter tub spout <p>T000.501 SHOWER ONLY Trim Kit</p> <ul style="list-style-type: none"> • Brass wall escutcheon • Metal Lever handle • "Vario" adjustable showerhead • Cast Brass shower arm <p>T000.500 VALVE ONLY Trim Kit</p> <ul style="list-style-type: none"> • Brass wall escutcheon • Metal Lever handle 	<p>.002 Polished Chrome .062 Black Nickel/Brass mix. (PVD) .099 Polished Brass (PVD) .295 Satin Nickel (PVD) .297 Satin/Brass mixage (PVD) .299 Pol. Chrome/Brass (PVD) mix.</p> <p>Note: Trim kits CANNOT be used with Ceramix spool type valves.</p>	

Trim Kits for R120, R120SS, R125, R125SS rough valve bodies. Showerhead with 2.5gpm/9.5L/min. maximum flow. **TRIM KITS ONLY. VALVE MUST BE ORDERED SEPARATELY.**

Trim Kit	Model # Description	Finishes*	Roughing-In Dimensions
<p>STANDARD</p>  	<p>T6282 BATH/SHOWER Trim Kit</p> <ul style="list-style-type: none"> • Metal wall escutcheon • Porcelain Lever Handle • 5" Adjustable showerhead • Cast brass I.P.S. diverter tub spout <p>T6281 SHOWER ONLY Trim Kit</p> <ul style="list-style-type: none"> • Metal wall escutcheon • Porcelain Lever Handle • 5" Adjustable showerhead <p>T62820 BATH/SHOWER Trim Kit</p> <ul style="list-style-type: none"> • Metal wall escutcheon • Porcelain Lever Handle 	<p>T6282 Polished Chrome T6282S Satin Nickel (PVD)</p> <p>T6281 Polished Chrome T6281S Satin Nickel (PVD)</p> <p>T6280 Polished Chrome T6280S Satin (PVD)</p>	
<p>JASMINE</p>  	<p>T808.502 BATH/SHOWER Trim Kit</p> <ul style="list-style-type: none"> • Brass wall escutcheon • Metal Lever Handle • Rain showerhead • Cast brass shower arm • Cast brass diverter tub spout <p>T808.501 SHOWER ONLY Trim Kit</p> <ul style="list-style-type: none"> • Brass wall escutcheon • Metal Lever Handle • Rain showerhead • Cast brass shower arm <p>T808.500 BATH/SHOWER Trim Kit</p> <ul style="list-style-type: none"> • Brass wall escutcheon • Metal Lever Handle 	<p>.002 Polished Chrome .008 Polished Nickel .068 Blackened Bronze (PVD) .099 Polished Brass (PVD) .221 Satin (PVD)/Pol.Chrome mix. .295 Satin Nickel (PVD) .297 Satin/Brass mixage (PVD) .299 Pol. Chrome/Brass (PVD) mix.</p>	
<p>TENDENCE</p>  	<p>T086.502 BATH/SHOWER Trim Kit</p> <ul style="list-style-type: none"> • Brass wall escutcheon • Metal Lever Handle • "Vario" adjustable showerhead • Cast brass shower arm • Cast brass diverter tub spout <p>T086.501 SHOWER ONLY Trim Kit</p> <ul style="list-style-type: none"> • Brass wall escutcheon • Metal Lever Handle • "Vario" adjustable showerhead • Cast brass shower arm <p>T086.500 BATH/SHOWER Trim Kit</p> <ul style="list-style-type: none"> • Brass wall escutcheon • Metal Lever Handle 	<p>.002 Polished Chrome .295 Satin Nickel (PVD)</p>	

***EverClean™ Finish:**

- Offered on: Polished Chrome (002), Stainless Steel (075), Polished Brass (099) and Satin Nickel (295) finish. (and any combination of these finishes).
- One wipe effortlessly removes spots.
- Eliminates the need for cleaners and scrubbing.

EverClean Finish is offered on Jasmine, Tendence, Ceramix and Reliant 3.