

MODEL NUMBER:

TRIM KITS:

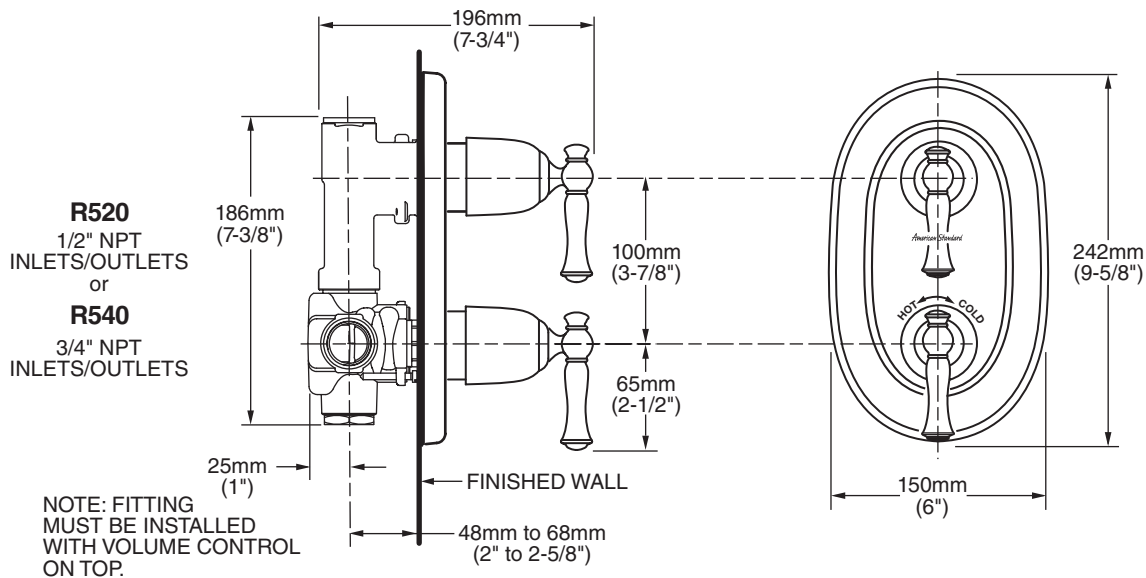
- T440.740 Quentin Two-Handle Thermostat Trim Kit**
With separate volume control. LESS Valve.

ROUGH VALVES:

- R520 Rough Valve Body only**
1/2" NPT inlets/outlets. With separate volume control. LESS Trim.
- R540 Rough Valve Body only**
3/4" NPT inlets/outlets. With separate volume control. LESS Trim.

NOTE:

- When used as a Bath/Shower:
EITHER
- a separate diverter valve (such as R420 or R430)
OR
- a diverter tub spout (requires twin ell)
IS REQUIRED



PRODUCT FEATURES:

Brass Casting: Highest quality faucet material for durability & long life.

Wax Thermostatic Unit: Permits shuttle valve to move between the hot and cold seat to maintain the pre-selected constant water temperature.

Back to Back Capable: Hot and cold can be reversed.

Spring-Loaded Check Valves: When the hot and cold water enters the fitting, both supplies pass through the spring-loaded check valves to prevent cross flow of hot and cold water.

Integrated Stop Valves: Ensure easy cleaning and servicing.

Adjustable Hot Limit Safety Stop: Limits the amount of hot water allowed to mix with cold. Reduces the risk of accidental scalding. Maximum water temperature limit may be reduced to 104 or 109 degrees Fahrenheit.

GENERAL DESCRIPTION:

Cast brass valve body. The single unit contains two handles, the bottom lever handle sets the desired temperature and the top lever handle functions as an on/off, volume control. The temperature is maintained by a wax element moving a shuttle valve between hot and cold. The volume is controlled by twin ceramic disc valve cartridges. Ceratherm includes Hot Limit Safety Stop. Maximum temperature limit is 112°F. Escutcheon plate is stamped brass. Available with 1/2" or 3/4" NPT inlets and outlets. The valve has a high flow rate, ideal for multiple outlet installations.

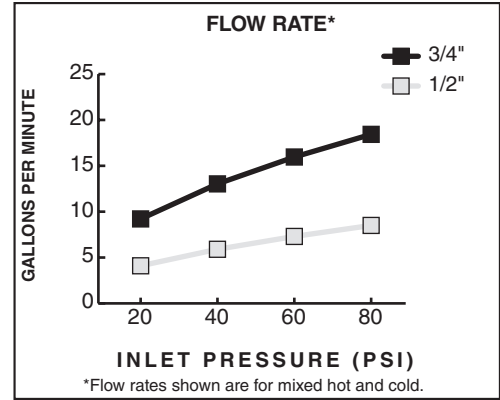
SUGGESTED SPECIFICATION:

Two handle Thermostat shall feature a cast brass valve body. Thermostat shall be a wax element shuttle valve. Shall also feature ceramic disc valving, 1/2" NPT or 3/4" NPT inlets and outlets. Fitting shall be American Standard Model # T440.740.____ (Trim Kit) and R520 or R540 (Rough Valve).

CODES AND STANDARDS

These products meet or exceed the following codes and standards:

- ASSE 1016
- ASME A112.18.1
- CSA B125.1



TRIM KITS**	Product Number	Description	Finish Options		
			Polished Chrome	Oil Rubbed Bronze	PVD Satin Nickel
			002	224	295
	T440.740*	Two-handle Thermostat Trim Kit with separate volume control.			

ROUGH VALVE BODIES	Product Number	Description
	R520	Rough Valve Body less trim - 1/2" NPT Inlets/Outlets
	R540	Rough Valve Body less trim - 3/4" NPT Inlets/Outlets

***NOTE:** When used as a Bath/Shower a separate diverter valve is required (such as R420 or R430).
Requires twin ell (must be ordered separately) for use with diverter spouts.

**** ROUGH & TRIM MUST BE ORDERED SEPARATELY.**

American Standard

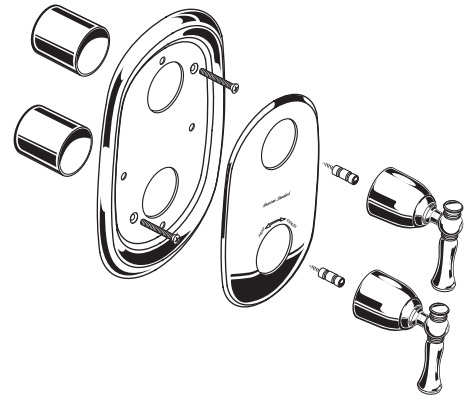
Installation Instructions T440.740

QUENTIN™

CENTRAL THERMOSTAT WITH VOLUME CONTROL TRIM KIT

Thank you for selecting American-Standard...the benchmark of fine quality for over 100 years.

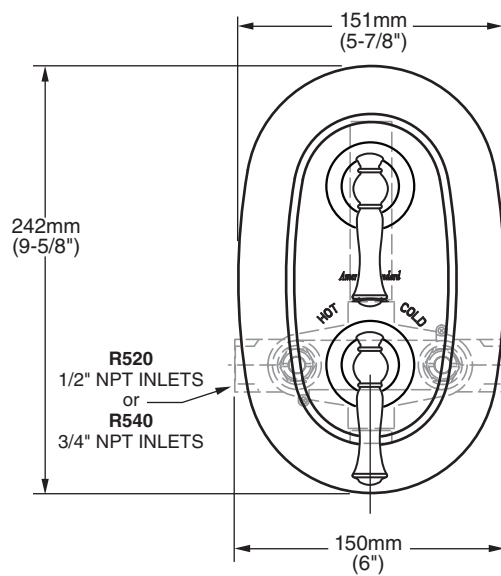
To ensure that your installation proceeds smoothly—please read these instructions carefully before you begin.



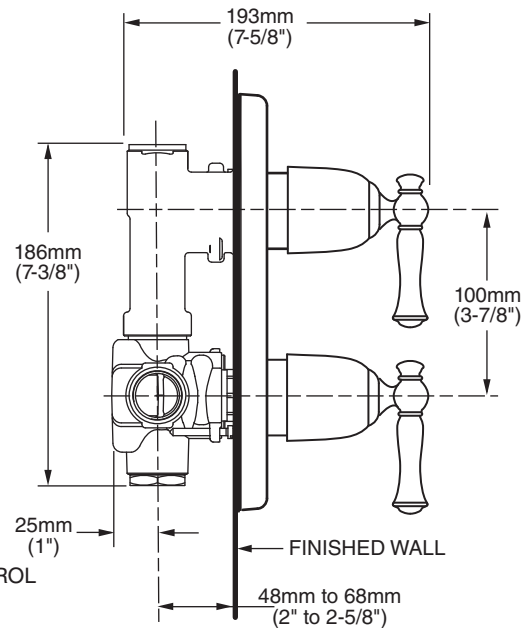
Certified to comply with ANSI A112.18.1M
ASSE 1016

M965234

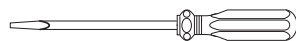
ROUGHING-IN DIMENSIONS



NOTE: FITTING
MUST BE INSTALLED
WITH VOLUME CONTROL
ON TOP.



Recommended Tools



Flat Blade Screwdriver



Phillips Screwdriver

CARE INSTRUCTIONS:

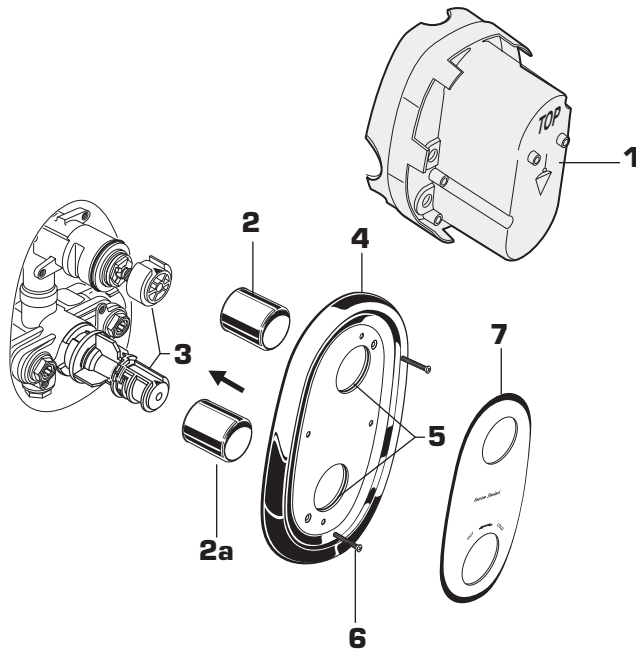
- To keep your new faucet looking new, please follow these simple care instructions:
 - DO:** ■ Simply rinse the faucet clean with clear water.
■ Dry the faucet with a soft cotton cloth.
 - DO NOT:**
 - Do not use any abrasive cleaners, cloths, or paper towels.
 - Do not use any cleaning agents containing acids, polish abrasives, or harsh cleaners or soaps.
- Regular and routine cleaning will reduce the need for heavy cleaning and polishing. If heavy cleaning is required, the following procedures are recommended:

- Remove as much surface dirt and film using clear water and soft cotton cloth (as described above).
 - Use any of the following to remove tough surface film and build-up:
 - Mild liquid detergents
 - Clear ammonia free liquid glass cleaners
 - Non-acidic, non-abrasive gentle liquid or fully dissolved powder cleansers mixed according to manufacturers directions.
 - Non-abrasive liquid polishers
- Once clean, rinse faucet again with clear water to thoroughly remove cleaner or polish and blot dry with a soft cotton cloth.

Failure to follow these care instructions may damage the Faucet's finish.

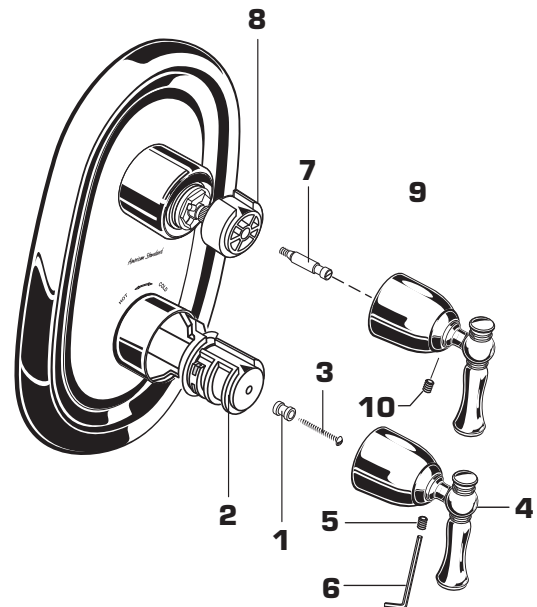
1 TRIM INSTALLATION

- Remove PLASTER GUARD **(1)** if attached.
- Push CAPS **(2 & 2a)** as shown onto CONTROL VALVES **(3)**.
- Push ESCUTCHEON **(4)** with lightly greased O-RING SEALS **(5)** over CAPS **(2, 2a)**. Attach with the two SCREWS **(6)** provided.
- Align pins in back of DIAL PLATE **(7)** with holes in ESCUTCHEON **(4)** and push DIAL PLATE **(7)** into place.



2 INSTALL HANDLES

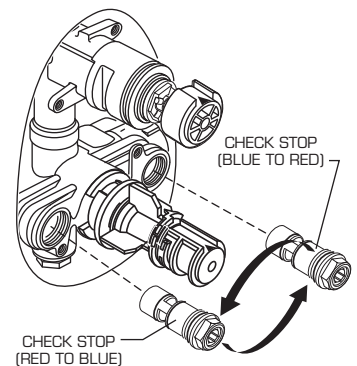
- Install HANDLE ADAPTER **(1)** onto HANDLE BASE **(2)** and tighten with SCREW **(3)**.
- Align HANDLE **(4)** and push onto HANDLE ADAPTER **(1)**.
- Tighten SET SCREW **(5)** in handle with HEX WRENCH **(6)** SUPPLIED.
- Install HANDLE ADAPTER **(7)** onto KNOB MOUNT **(8)**.
- Push VOLUME CONTROL KNOB **(9)** onto HANDLE ADAPTER **(7)**. Use HEX WRENCH **(6)** supplied and tighten SET SCREW **(10)** to secure VOLUME CONTROL KNOB **(9)**.



3 TRANSPOSED SUPPLY PIPING OR BACK TO BACK INSTALLATION

Should the hot and cold water supply pipes have been transposed making adjustment impossible, proceed as follows:

- Shut off water supply.
 - Remove handle and rim. (Reverse steps 1 and 2.)
 - Remove check stops and re-install them transposed.
- Important note: RED CHECK STOP is now on the right of the mixer body and the BLUE CHECK STOP is now on the left.
 - Turn the water supply back on and perform the temperature adjustment in step 4.
 - Assemble HANDLES and TRIM.

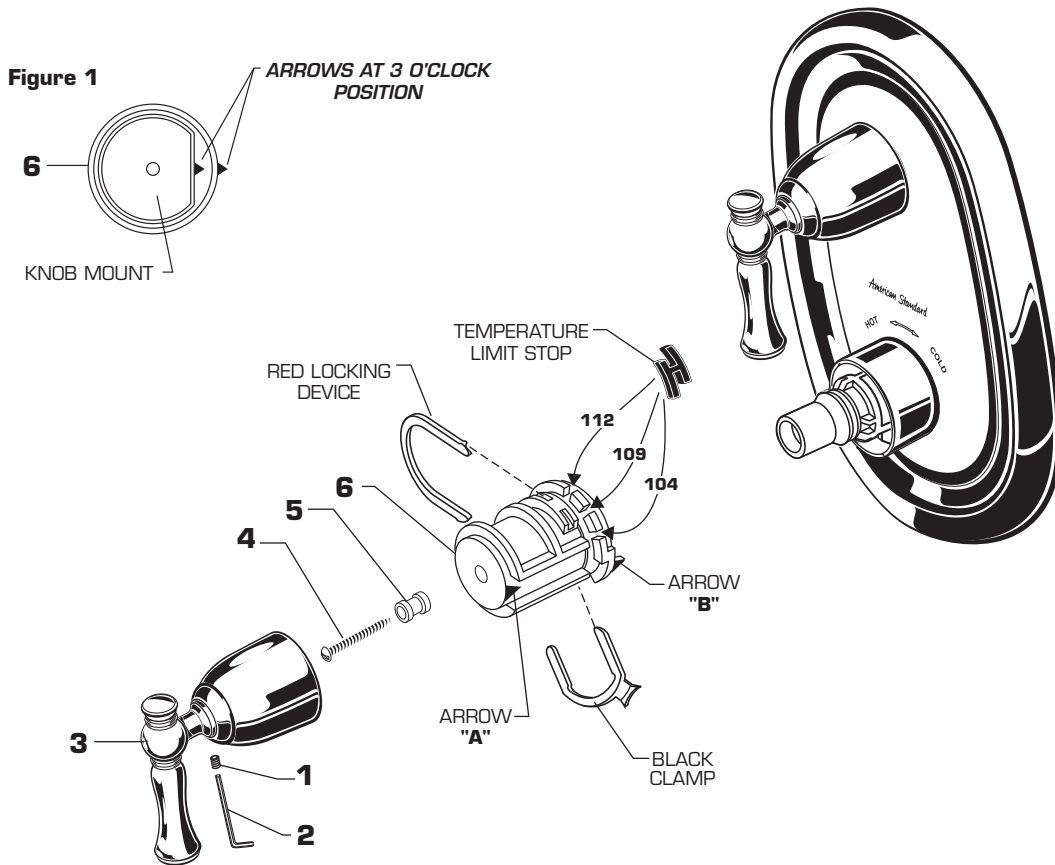


4 TEMPERATURE ADJUSTMENT

- Loosen SET SCREW (1) with HEX WRENCH (2). Pull off HANDLE (3). Remove HANDLE SCREW (4) and HANDLE ADAPTER (5). Pull off HANDLE BASE (5).
- Check that arrow marking B points to the 3 o'clock position. If not, push the BLACK CLAMP on the SECURING RING to the right, pull off KNOB MOUNT (6) and reinstall KNOB MOUNT (6) with arrow "B" 3 o'clock position. *See Figure 1.*

SET HOT LIMIT STOP

- The maximum mixed water temperature is set at 109°F at the factory. This setting can be changed if desired.
- Remove the TEMPERATURE LIMIT STOP (H shaped Black Plastic part). Reinstall it at the desired notch as indicated in the diagram to limit the maximum mixed water temperature to 104°F or 112°F.
- For 100°F adjustment, turn the water supply on. Turn KNOB MOUNT (6) until the spout temperature is 100°F. Check that arrow "A" on the KNOB MOUNT (6) still points 3 o'clock position after adjusting the thermostat to 100°F. If not, pull out the RED LOCKING DEVICE. Remove KNOB MOUNT (6) by pulling it towards you while standing directly in front of the valve.
- Reinstall the KNOB MOUNT (6) with arrow "A" 3 o'clock position.
- Reinstall RED LOCKING DEVICE.
- See step 2 for HANDLE (3) installation.

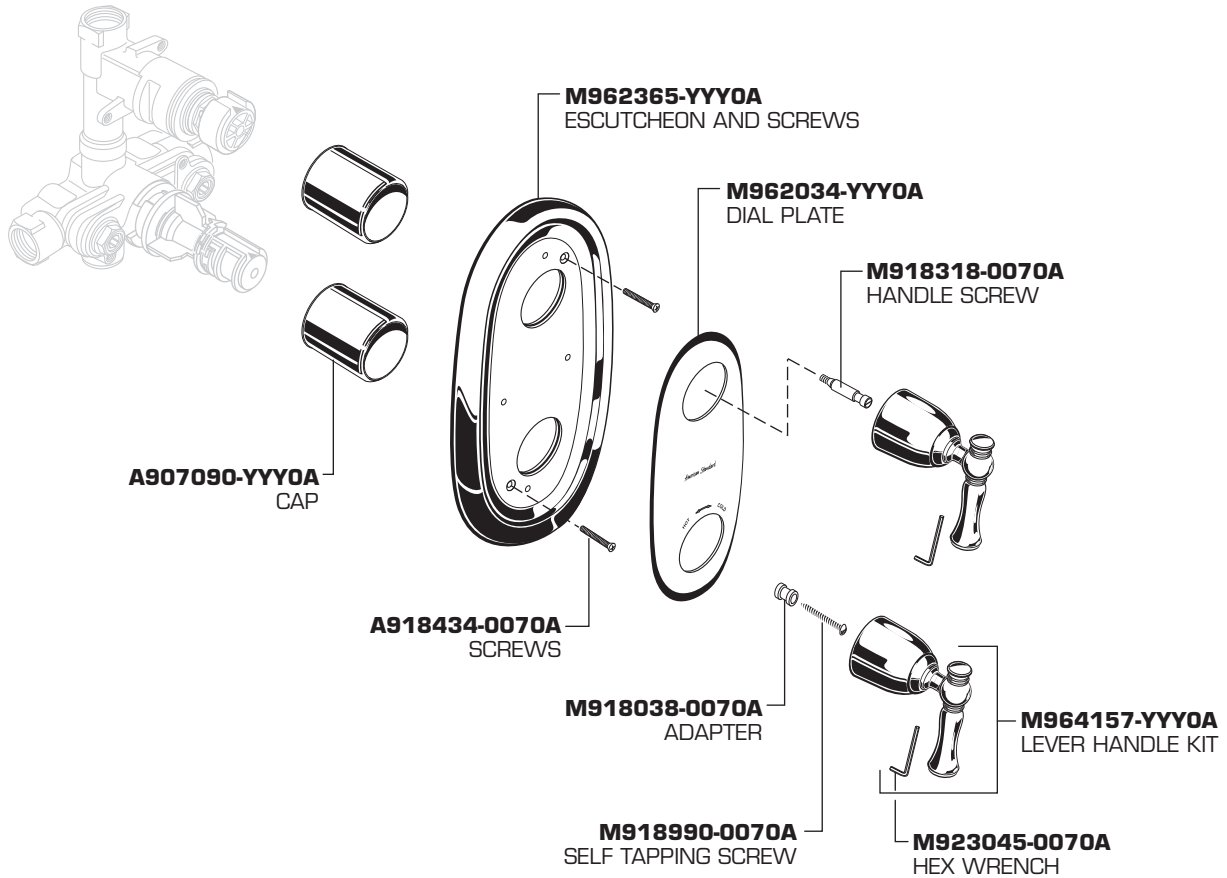


American Standard

**QUENTIN™
CENTRAL THERMOSTAT
WITH VOLUME CONTROL
TRIM KIT**

MODEL NUMBER

T440.740



Replace the "YYY" with appropriate finish code

CHROME	002
OIL RUBBED BRONZE	224
SATIN NICKEL	295



HOT LINE FOR HELP

For toll-free information and answers to your questions, call:
1-800-442-1902
Weekdays 8:00 a.m. to 6:00 p.m. EST
IN CANADA 1-800-387-0369 (TORONTO 1-905-306-1093)
Weekdays 8:00 a.m. to 7:00 p.m. EST
IN MEXICO 01-800-839-1200

Product names listed herein are trademarks of American Standard Inc.
© AS America, Inc. 2011

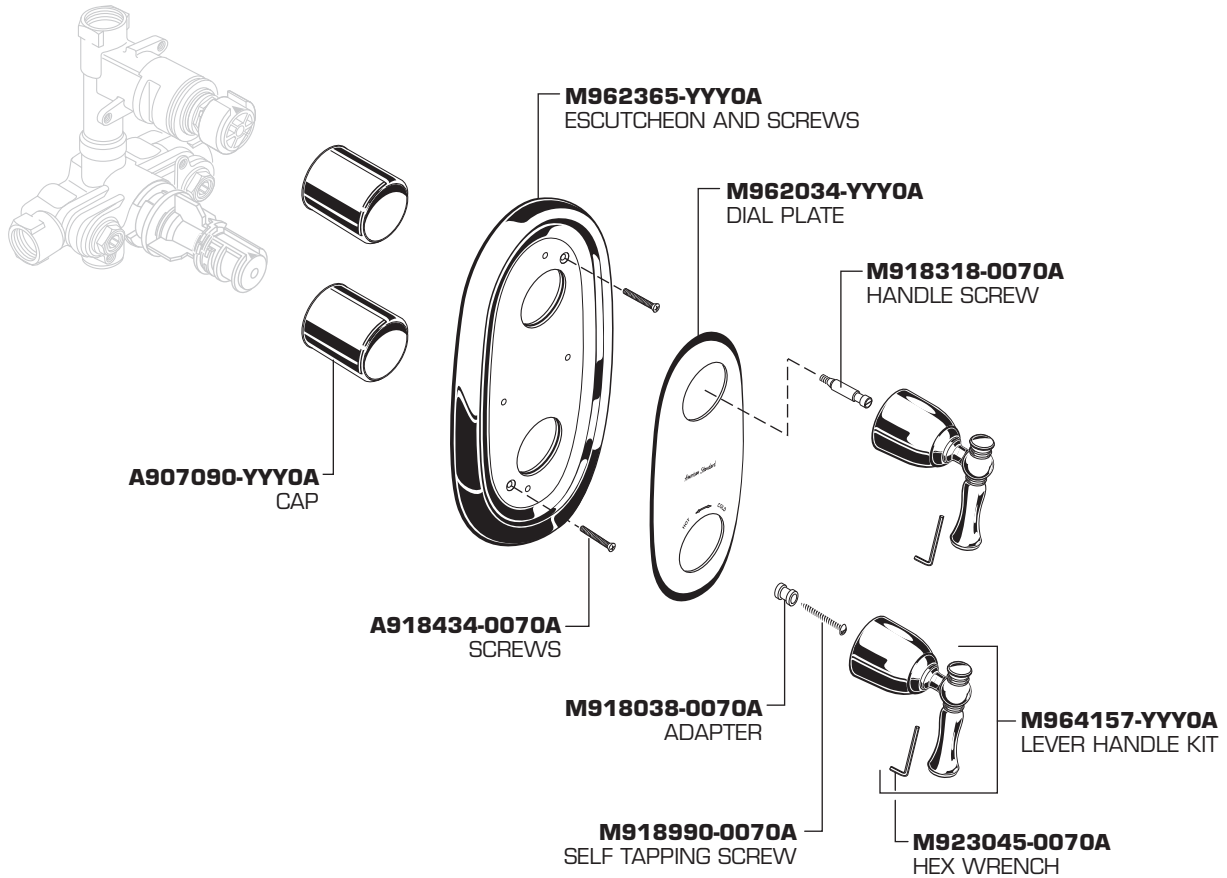
M965234

American Standard

**QUENTIN™
CENTRAL THERMOSTAT
WITH VOLUME CONTROL
TRIM KIT**

MODEL NUMBER

T440.740



Replace the "YYY" with appropriate finish code

CHROME	002
OIL RUBBED BRONZE	224
SATIN NICKEL	295



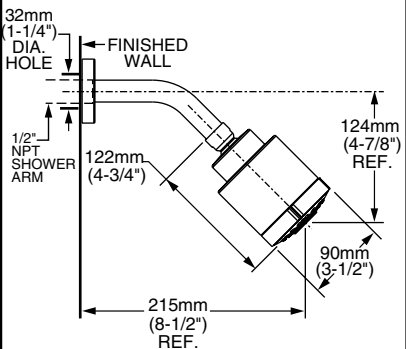



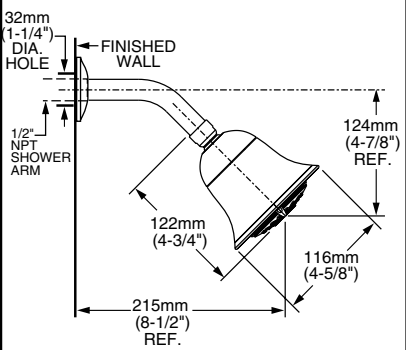



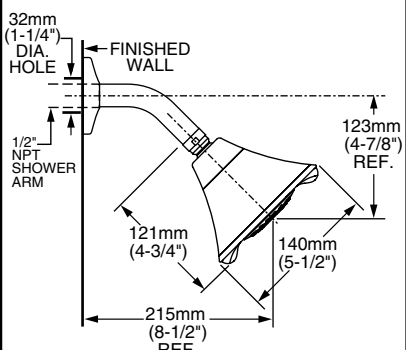



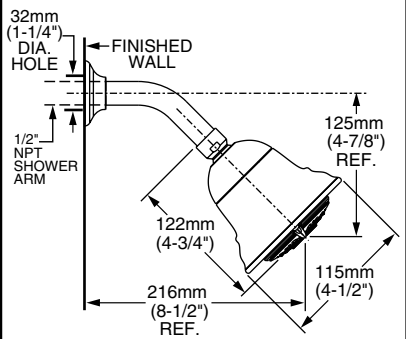



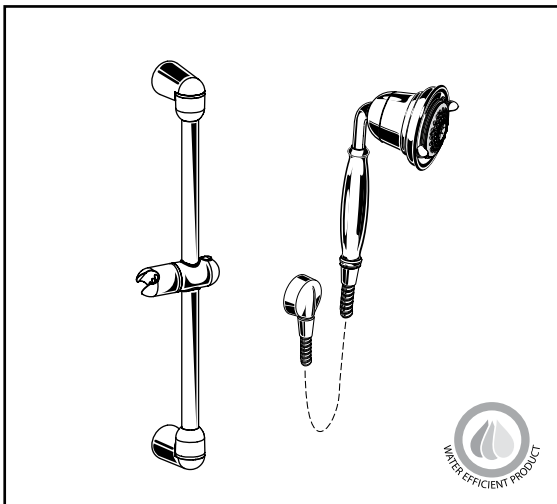
HOT LINE FOR HELP

For toll-free information and answers to your questions, call:
1-800-442-1902
Weekdays 8:00 a.m. to 6:00 p.m. EST
IN CANADA 1-800-387-0369 (TORONTO 1-905-306-1093)
Weekdays 8:00 a.m. to 7:00 p.m. EST
IN MEXICO 01-800-839-1200

Product names listed herein are trademarks of American Standard Inc.
© AS America, Inc. 2011

M965234

Model #	Description	Finishes	Roughing-In Dimensions
<p>1660.633</p>  	<p>MODERN FloWise® 3-FUNCTION WATER SAVING SHOWERHEAD</p> <ul style="list-style-type: none"> Up to 40% water savings 3 Spray Settings <ul style="list-style-type: none"> Turbine spray at 1.5 gpm Max. flow rate Full spray at 2.0 gpm Max. flow rate Combination spray at 2.0 gpm Max. flow rate Auto return feature defaults to 1.5 gpm Ultra Water Saving Mode Angle adjustable Max. flow rate: 2.0gpm/7.6L/min. 	<p>.002 Polished Chrome .075 Stainless Steel (PVD) .295 Satin Nickel (PVD)</p>	
<p>1660.613</p> 	<p>MODERN FloWise® 3-FUNCTION WATER SAVING SHOWERHEAD</p> <ul style="list-style-type: none"> Showerhead only Max. flow rate: 2.0gpm/7.6L/min. 		
<p>1660.833</p>  	<p>SQUARE FloWise® 3-FUNCTION WATER SAVING SHOWERHEAD</p> <ul style="list-style-type: none"> Up to 40% water savings 3 Spray Settings <ul style="list-style-type: none"> Turbine spray at 1.5 gpm Max. flow rate Full spray at 2.0 gpm Max. flow rate Combination spray at 2.0 gpm Max. flow rate Auto return feature defaults to 1.5 gpm Ultra Water Saving Mode Angle adjustable Max. flow rate: 2.0gpm/7.6L/min. 	<p>.002 Polished Chrome .068 Blackened Bronze (PVD) .295 Satin Nickel (PVD)</p>	
<p>1660.813</p> 	<p>SQUARE FloWise® 3-FUNCTION WATER SAVING SHOWERHEAD</p> <ul style="list-style-type: none"> Showerhead only Max. flow rate: 2.0gpm/7.6L/min. 		
<p>1660.733</p>  	<p>TRANSITIONAL FloWise® 3-FUNCTION WATER SAVING SHOWERHEAD</p> <ul style="list-style-type: none"> Up to 40% water savings 3 Spray Settings <ul style="list-style-type: none"> Turbine spray at 1.5 gpm Max. flow rate Full spray at 2.0 gpm Max. flow rate Combination spray at 2.0 gpm Max. flow rate Auto return feature defaults to 1.5 gpm Ultra Water Saving Mode Angle adjustable Max. flow rate: 2.0gpm/7.6L/min. 	<p>.002 Polished Chrome .068 Blackened Bronze (PVD) .099 Polished Brass (PVD) .075 Stainless Steel (PVD) .295 Satin Nickel (PVD)</p>	
<p>1660.717</p> 	<p>TRANSITIONAL FloWise® 3-FUNCTION WATER SAVING SHOWERHEAD</p> <ul style="list-style-type: none"> Showerhead only Max. flow rate: 2.0gpm/7.6L/min. 		
<p>1660.133</p>  	<p>TRADITIONAL FloWise® 3-FUNCTION WATER SAVING SHOWERHEAD</p> <ul style="list-style-type: none"> Up to 40% water savings 3 Spray Settings <ul style="list-style-type: none"> Turbine spray at 1.5 gpm Max. flow rate Full spray at 2.0 gpm Max. flow rate Combination spray at 2.0 gpm Max. flow rate Auto return feature defaults to 1.5 gpm Ultra Water Saving Mode Angle adjustable Max. flow rate: 2.0gpm/7.6L/min. 	<p>.002 Polished Chrome .068 Blackened Bronze (PVD) .295 Satin Nickel (PVD)</p>	
<p>1660.113</p> 	<p>TRADITIONAL FloWise® 3-FUNCTION WATER SAVING SHOWERHEAD</p> <ul style="list-style-type: none"> Showerhead only Max. flow rate: 2.0gpm/7.6L/min. 		

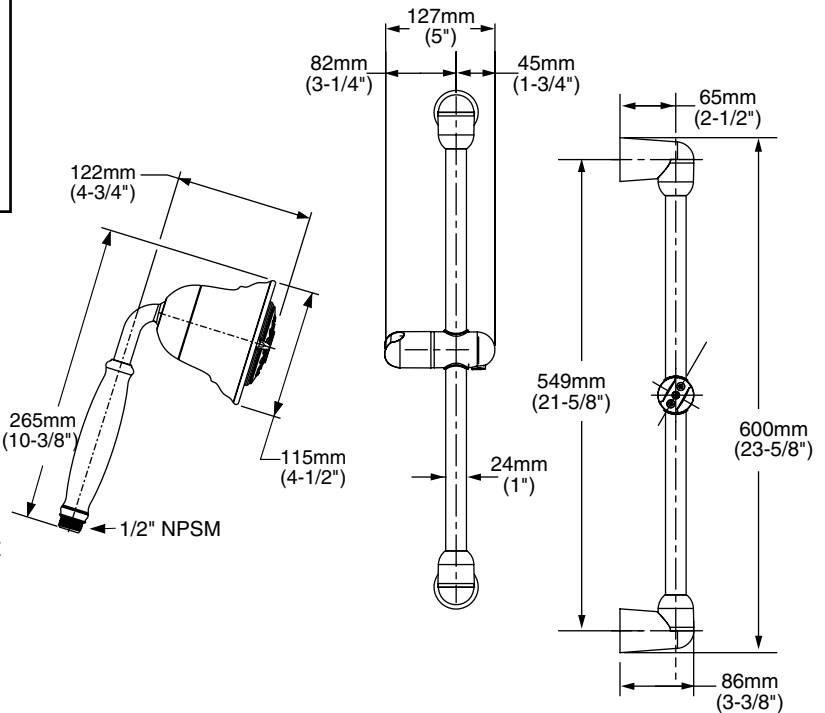
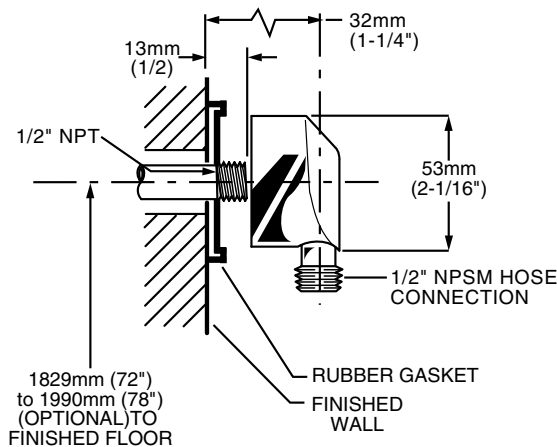


MODEL NUMBER:

☐ **1662.143 FloWise Traditional Shower System Kit**

Includes:

- FloWise Traditional 3-function Hand Shower
- Hose
- Wall Supply
- Standard Slide Bar



GENERAL DESCRIPTION:

Complete shower system kit includes: a wall supply with 1/2" NPT female inlet, 1/2" NPSM male outlet; a 59" (1500mm) shower hose; a FloWise water saving hand shower; and a 25" standard slide bar. Hand shower adjusts from an Ultra Water Saving Turbine Spray at 1.5gpm to a Combination spray at 2.0gpm to a Full spray at 2.0gpm. Hand shower uses 40% less water when in Ultra Water Saving mode and 20% when in Combination or Full spray modes. Hand Shower rated at 2.0gpm/7.6L/min. maximum flow rate. Auto Return feature always returns hand shower to 1.5gpm Ultra Water Saving mode when water is turned off. Hand shower always starts in Ultra Water Saving mode. Adjustable shower holder can be set at any height or position along the bar and angle up to 45°.

PRODUCT FEATURES:

HAND SHOWER

Water Saving: Saves up to 40% in water usage.

Auto Return: Hand shower always starts in ultra water savings mode for maximum water savings of 40%.

Variety of Spray Patterns: Allows the user to select the type of spray best suited to their needs.

SLIDE BAR

Simple Height Adjustment: Allows positioning of the personal shower anywhere along the bar.

SELECTION OF FINISHES

Available Finishes: Wide range of durable finishes.

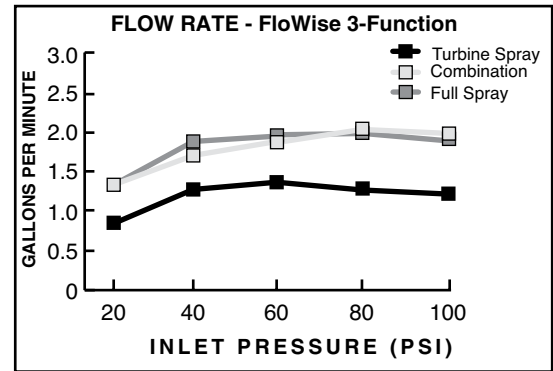
SUGGESTED SPECIFICATION:

Shower system shall feature a wall supply with 1/2" NPT female inlets, 1/2" NPSM male outlet, 59" hose, water saving hand shower and a 25" standard slide bar. Hand shower shall save up to 40% in water usage. Hand shower shall always start at 1.5gpm/5.7L/min. and have multiple functions for user's personal selection. Fitting shall be American Standard Model # 1662.143._____.

CODES AND STANDARDS

Install as required to comply with local code requirements.

ASME A112.18.1
CSA 125

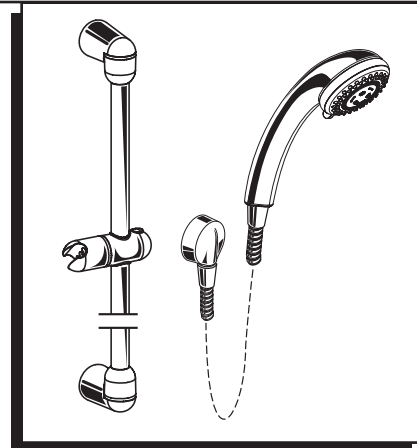


Product Number	Description	Finish Options		
		Polished Chrome	PVD Blackened Bronze	PVD Satin Nickel
		002	068	295
1662.143	FloWise Traditional Shower System Kit. Contains FloWise Traditional 3-function hand shower, hose, wall supply and standard slide bar.			

SHOWER SYSTEM KITS

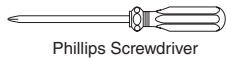
Thank you for selecting American-Standard...the benchmark of fine quality for over 100 years.

To ensure that your installation proceeds smoothly—please read these instructions carefully before you begin.

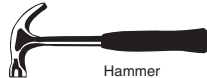


Certified to comply with ANSI A112.18.1
M968637 Rev 1.3

Recommended Tools & Materials



Phillips Screwdriver

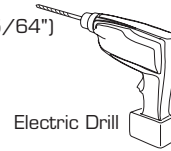


Hammer



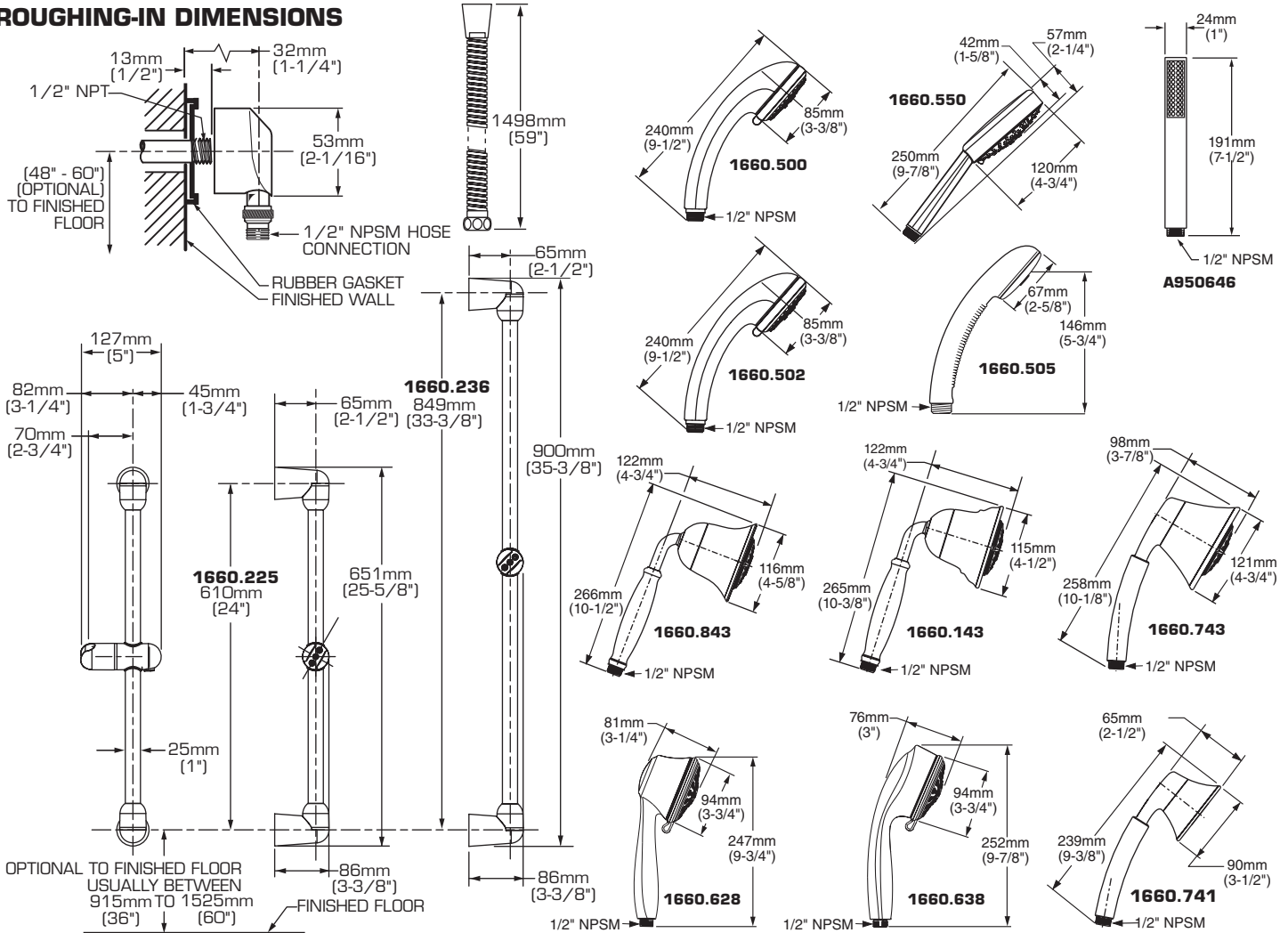
Pencil

6mm (15/64")
Drill Bit



Electric Drill

ROUGHING-IN DIMENSIONS



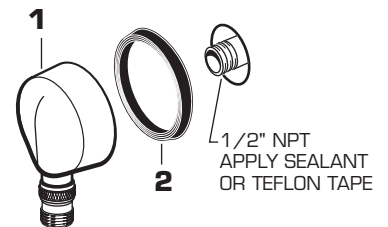
1

INSTALL WALL SUPPLY

CAUTION

Turn off hot and cold water supplies before beginning.

- Supply to WALL SUPPLY (1) is 1/2" NPT. See rough-in above for detailed information.
- Install RUBBER SEAL (2) onto WALL SUPPLY (1).
- Apply sealant or teflon tape to threads of 1/2" NPT supply nipple. Thread WALL SUPPLY (1) onto supply nipple making a water tight seal. WALL SUPPLY (1) with RUBBER SEAL (2) should be tight against finished wall.



2 INSTALL LOWER SUPPORT BRACKET

■ The SLIDE BAR works best when secured to the wall studs or cross brace using the WOOD SCREWS. If a mounting into the studs is not possible, use appropriate wall fasteners to provide secure installation.

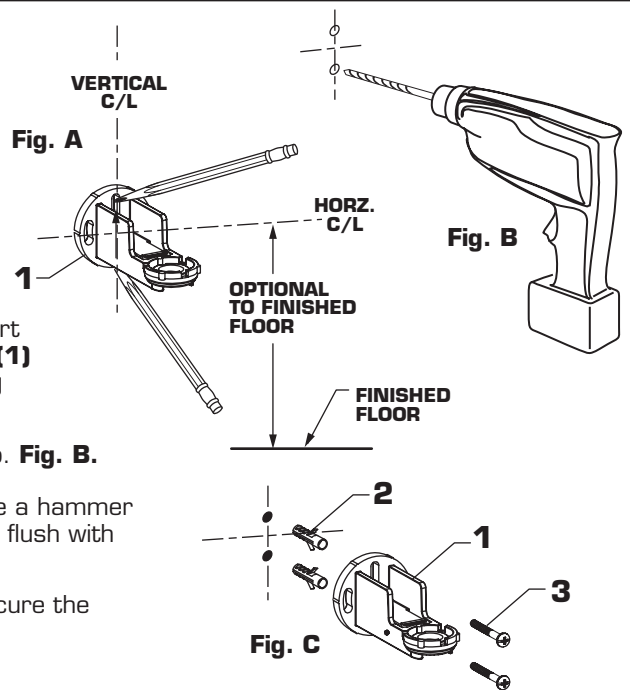
■ Mark a vertical center line in the location you wish to install the SLIDE BAR. **NOTE:** The height from the finished floor is optional. See rough-in drawing for suggested dimensions.

■ Determine desired height from the finished floor to the lower support and mark a horizontal center line. Place the MOUNTING BRACKET (1) on the center lines, with a pencil mark the location on the mounting holes to be drilled. **Fig. A.**

■ Using 15/64" diameter drill. Drill two mounting holes 1" max. deep. **Fig. B.**

■ Install the two ANCHORS (2) provided into the mounting holes. (Use a hammer to lightly tap ANCHORS (2) into place.) Make sure they are installed flush with the finished wall.

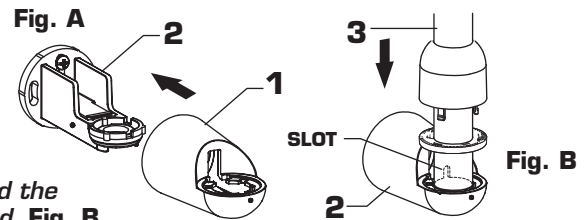
■ Place the MOUNTING BRACKET (1) over the ANCHORS (2) and secure the MOUNTING BRACKET (1) with the SCREWS (3) provided. **Fig. C.**



3 INSTALL SLIDE BAR

■ Slide the COVER (1) onto the MOUNTING BRACKET (2) flush against the wall. **Fig. A.**

■ Install the bottom of SLIDE BAR (3) into the MOUNTING BRACKET (2). **IMPORTANT:** The slot at the bottom of the slide bar must face toward the wall. Rotate the slide bar until it locks into place and cannot be turned. **Fig. B.**

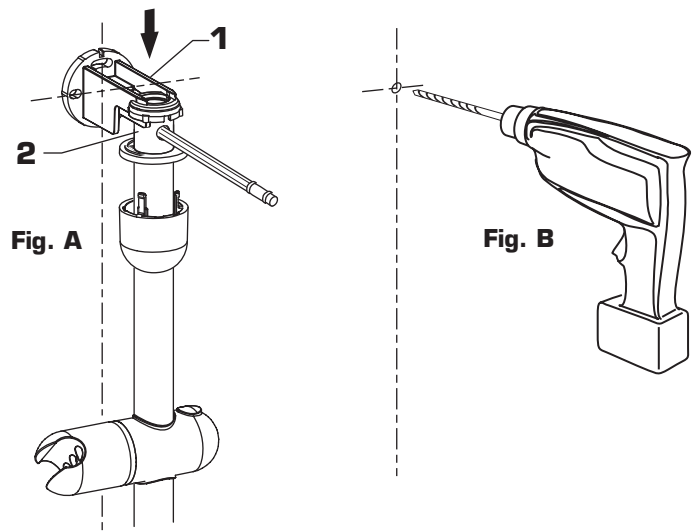


4 LOCATE UPPER MOUNTING BRACKET

■ Install the upper MOUNTING BRACKET (1) onto the SLIDE BAR (2). Align the MOUNTING BRACKET (1) with center lines and mark the center mounting hole with a pencil as shown. **Fig. A.**

■ Remove the SLIDE BAR (2) and set a side.

■ Using 15/64" diameter drill bit, drill mounting hole 1" max. deep. **Fig. B.**



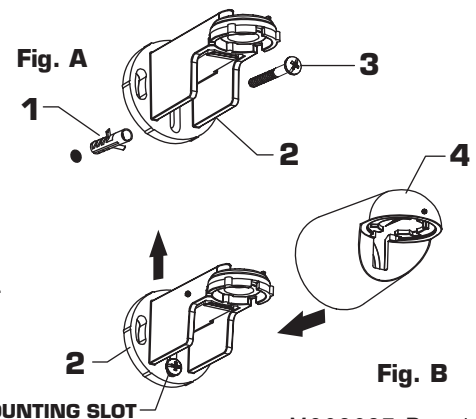
5 INSTALL UPPER MOUNTING BRACKET

■ Install the ANCHOR (1) provided into the mounting hole. Make sure it is installed flush with the finished wall. (Use a hammer to lightly tap ANCHOR (1) into place.)

■ Place the MOUNTING BRACKET (2) over the ANCHOR (1) and secure the MOUNTING BRACKET (2) with the SCREW (3) provided. **NOTE:** Do not tighten fully.

■ Slide the MOUNTING BRACKET (2) up against the bottom of the mounting slot..

■ Slide the COVER (4) onto the MOUNTING BRACKET (2) flush against the wall.

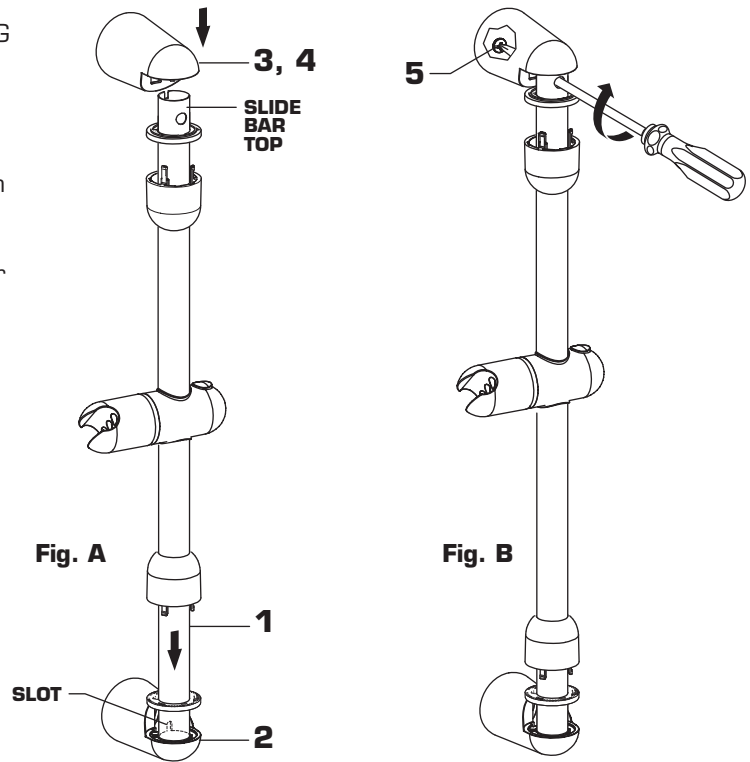


BOTTOM OF MOUNTING SLOT

6

INSTALL SLIDE BAR INTO MOUNTING BRACKETS

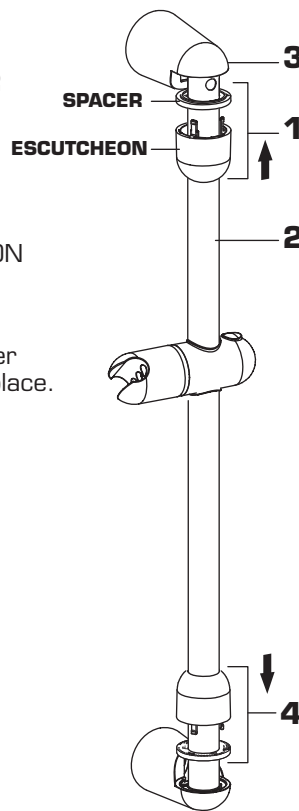
- Install the SLIDE BAR (1) back into the lower MOUNTING BRACKET (2). **IMPORTANT: The slot at the bottom of the slide bar must face toward the wall. Rotate the slide bar until it locks into place and cannot be turned. Fig. A.**
- Push top COVER (3) and MOUNTING BRACKET (4) down onto top of SLIDE BAR (1). **Fig. A.**
- Tighten MOUNTING SCREW (5) with phillips screw driver to secure assembly to wall. **Fig. B**



7

FINISH INSTALLATION

- Align the ESCUTCHEON and SPACER so that the spacer is sitting on the ESCUTCHEON.
- Rotate the upper ESCUTCHEON and SPACER (1) on SLIDE BAR (2) until the three snap arms align with the holes in the cover. Push ESCUTCHEON and SPACER (1) into COVER (3) until it snaps in place.
- Repeat above steps to snap the lower ESCUTCHEON and SPACER (4) into place.

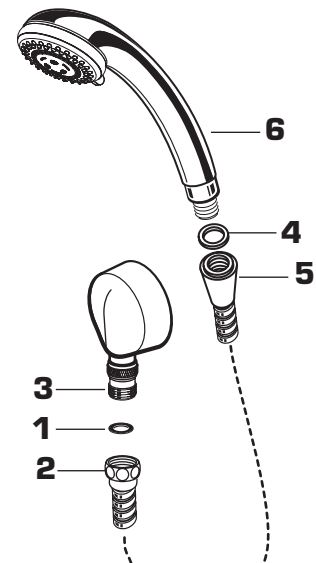


8

INSTALL HOSE AND HAND SHOWER

- Install SEAL (1) into COUPLING NUT (2). Connect COUPLING NUT (2) to WALL SUPPLY NIPPLE (3) and tighten.
- Install second SEAL (4) into SPRAY HOSE END (5) and connect HAND SHOWER (6) to SPRAY HOSE END (5). Hand tighten.

INSTALL second SEAL (4) into SPRAY HOSE END (5) and connect HAND SHOWER (6) to SPRAY HOSE END (5). Hand tighten.



CARE INSTRUCTIONS:

DO: SIMPLY RINSE THE PRODUCT CLEAN WITH CLEAR WATER. DRY WITH A SOFT COTTON FLANNEL CLOTH.

DO NOT: DO NOT CLEAN THE PRODUCT WITH SOAPS, ACID, POLISH, ABRASIVES, HARSH CLEANERS, OR A CLOTH WITH A COARSE SURFACE.

1660500.XXX
HAND SHOWER

1660550.XXX
HAND SHOWER

1660628.XXX
HAND SHOWER

1660741.XXX
HAND SHOWER

1660143.XXX
HAND SHOWER

A950646-YYY0A
HAND SHOWER

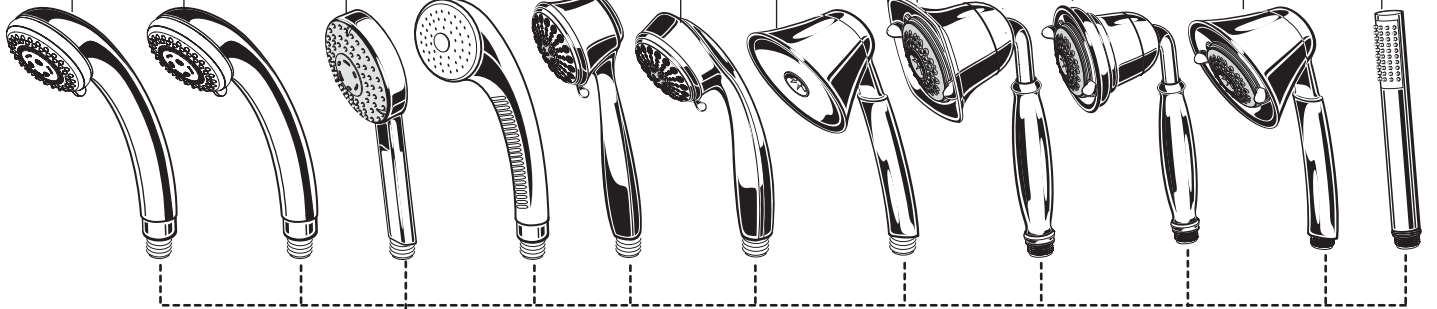
1660502.XXX
HAND SHOWER

1660505.XXX
HAND SHOWER

1660638.XXX
HAND SHOWER

1660843.XXX
HAND SHOWER

1660743.XXX
HAND SHOWER



8888037.YYY
WALL SUPPLY

M962520-YYY0A
CHECK VALVE

030782-0020A
HOSE KIT

M962506-YYY0A
SUPPORT BRACKET

M962507-YYY0A
HAND SHOWER HOLDER

M919213-YYY0A
24" SLIDE BAR

M919211-YYY0A
36" SLIDE BAR

M950105-0070A
HARDWARE KIT

Replace the "YYY" and "XXX" with appropriate finish code

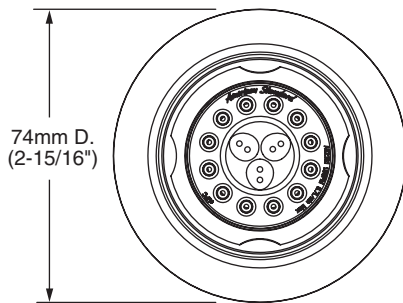
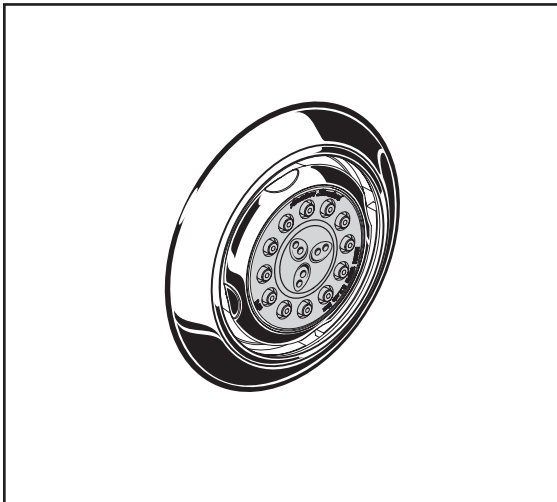
CHROME	002
POLISHED BRASS	099
SATIN NICKEL	295



HOT LINE FOR HELP
For toll-free information and answers to your questions, call:
1-800 442-1902
Weekdays 8:00 a.m. to 8:00 p.m. EST
IN MEXICO 01-800-839-1200
IN CANADA 1-800-387-0369 (TORONTO 1-905-306-1093)
Weekdays 8:00 a.m. to 7:00 p.m. EST

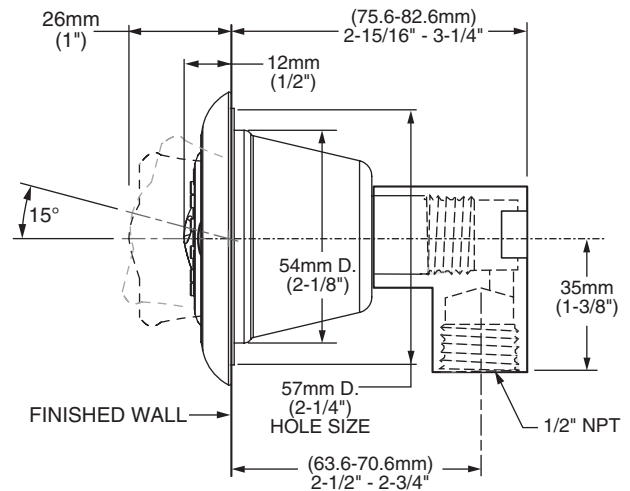
Product names listed herein are trademarks of American Standard Inc.
© AS America, Inc. 2009

M962506-YYY0A
SUPPORT BRACKET



MODEL NUMBER:

- ☐ 1660.130 Multifunction Round Body Spray
Flush Mount. 1/2" NPT Male Connection



GENERAL DESCRIPTION:

Flush mount body spray. Swivel spray with adjustable spray pattern automatically extends when water is turned on and auto retracts when water is turned off. Spray pattern adjusts from full spray to combination to massage. Spray position adjusts up to 15° in any direction. Easy clean spray nozzles. Brass escutcheon. Fits wall cavity using standard 2" x 4" studs. Installs as one piece. Plaster guard serves as a rough-in guide and pipe plug. 1.5gpm/5.7L/min. maximum flow rate.

PRODUCT FEATURES:

Flush Mount: Clean look.

Adjustable Spray Pattern: 3 spray options to customize shower experience to personal taste.

Simple Spray Adjustment: Spray position adjusts up to 15° in any direction.

One Piece Installation: No loose parts to lose or reassemble on site.

Easy Clean Spray Nozzles: Easily clean lime and calcium buildup.

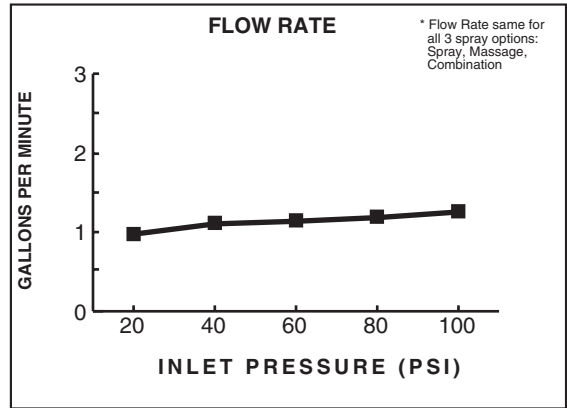
SUGGESTED SPECIFICATION:

Body Spray shall be flush mount to wall projecting no more than 1/2" when not in use. Body spray shall have at least 3 spray patterns. Features an automatic swivel spray that extends when water is turned on and retracts when water is turned off. Fitting shall be American Standard Model # 1660.130._____.

CODES AND STANDARDS

Install as required to comply with local code requirements.

ASME A112.18.1
CSA 125



Product Number	Description	Finish Options			
		Polished Chrome	PVD Blackened Bronze	PVD Stainless Steel	PVD Satin Nickel
		002	068	075	295
1660.130	Extender Multifunction Round Body Spray.				

American Standard

Installation Instructions

**LUXURY SHOWER
EXTENDER BODY SPRAYS**

**1660.130
1660.140**



1660.130



1660.140

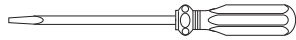
Thank you for selecting American-Standard...the benchmark of fine quality for over 100 years.

To ensure that your installation proceeds smoothly—please read these instructions carefully before you begin.

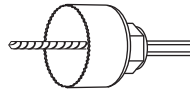
Certified to comply with ANSI A112.18.1

M968617 Rev.1.2

Recommended Tools



Flat Blade Screwdriver



2-1/4" DIA.
(57mm) Hole Saw



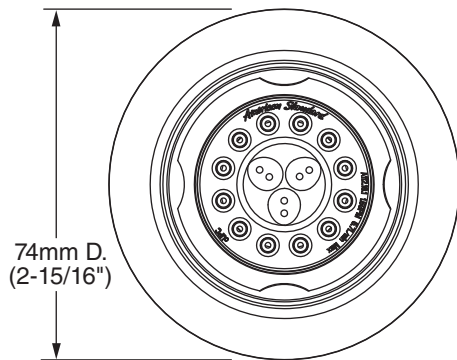
Teflon Tape



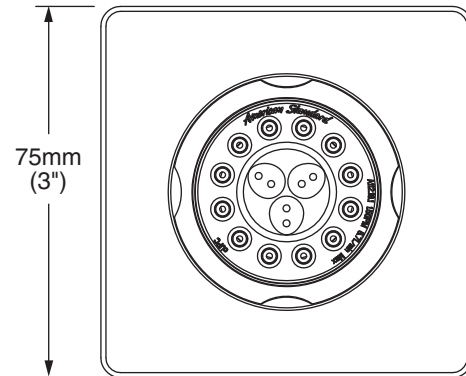
Electric Drill

ROUGHING-IN DIMENSIONS

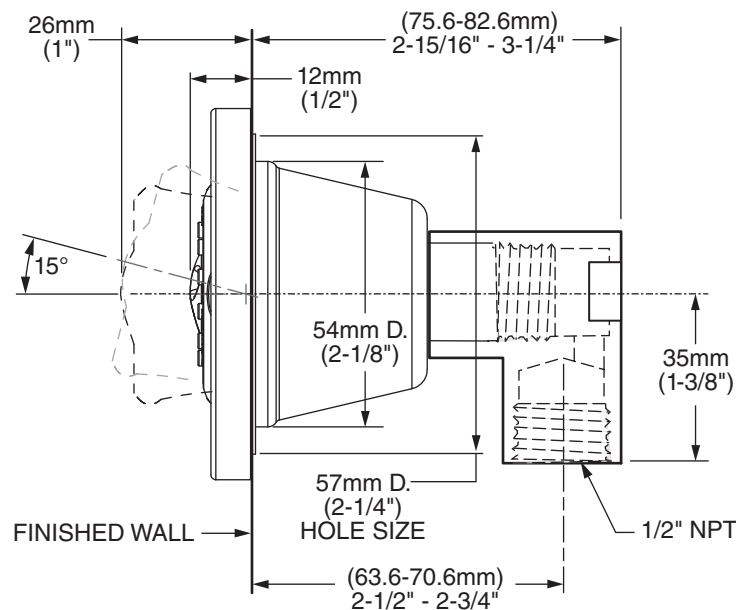
ALL CONNECTIONS 1/2" NPT



**1660.130 Multifunction
Round Body Spray**



**1660.140 Multifunction
Square Body Spray**

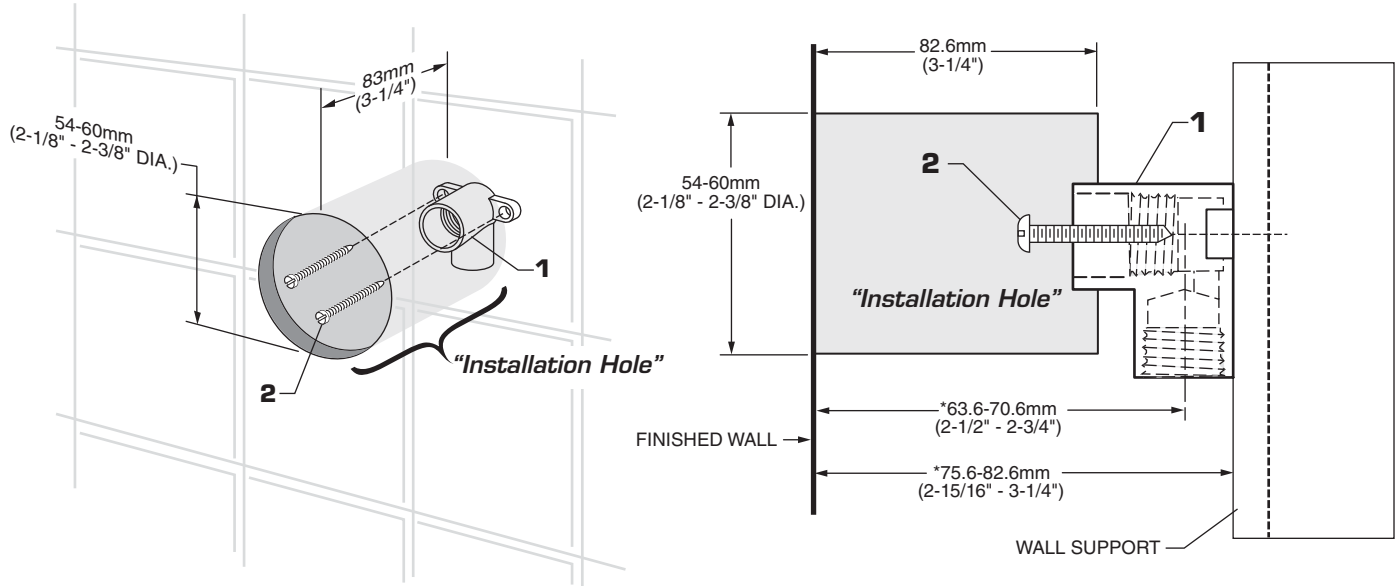


1

INSTALL SUPPLY PIPING

CAUTION Turn off hot and cold water supplies before beginning.

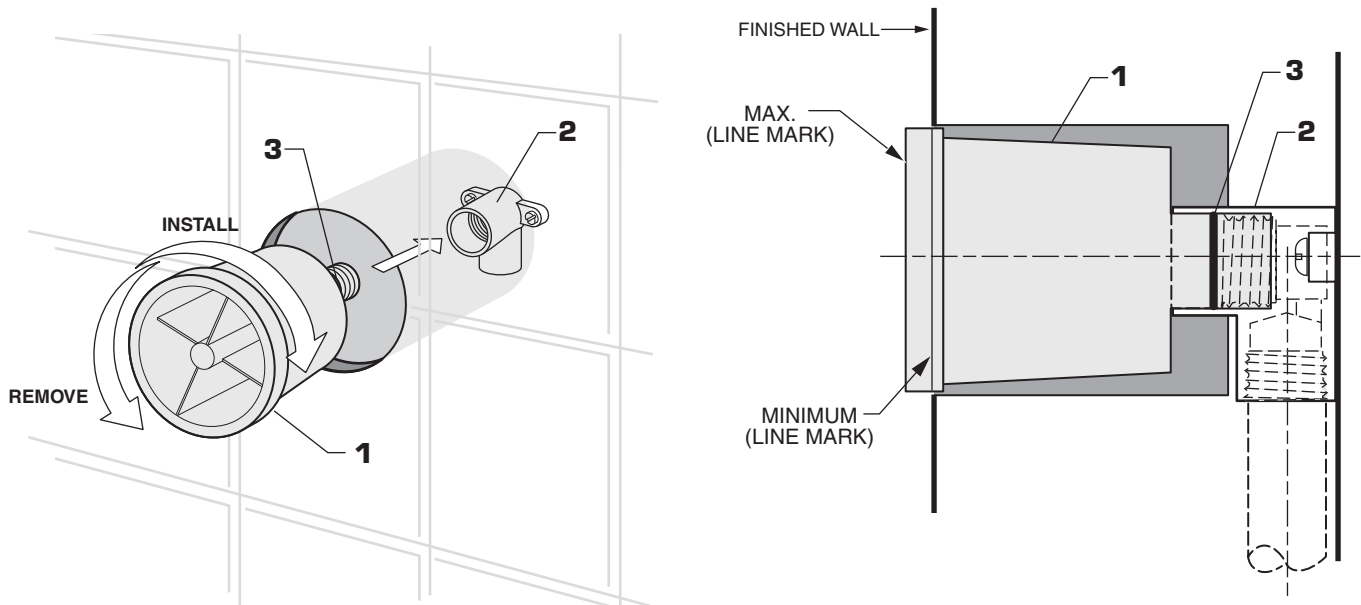
- Provide a "Installation Hole" 2-1/8" - 2-3/8" DIA., (54-60mm) and 3-1/4", (83mm) deep. **Note:** The "Installation Hole" must be clear to allow body spray clearance.
- Install the ELBOW (1) on a support within the wall at the *dimension shown. Secure with two M5 SCREWS (2) (not provided).



2

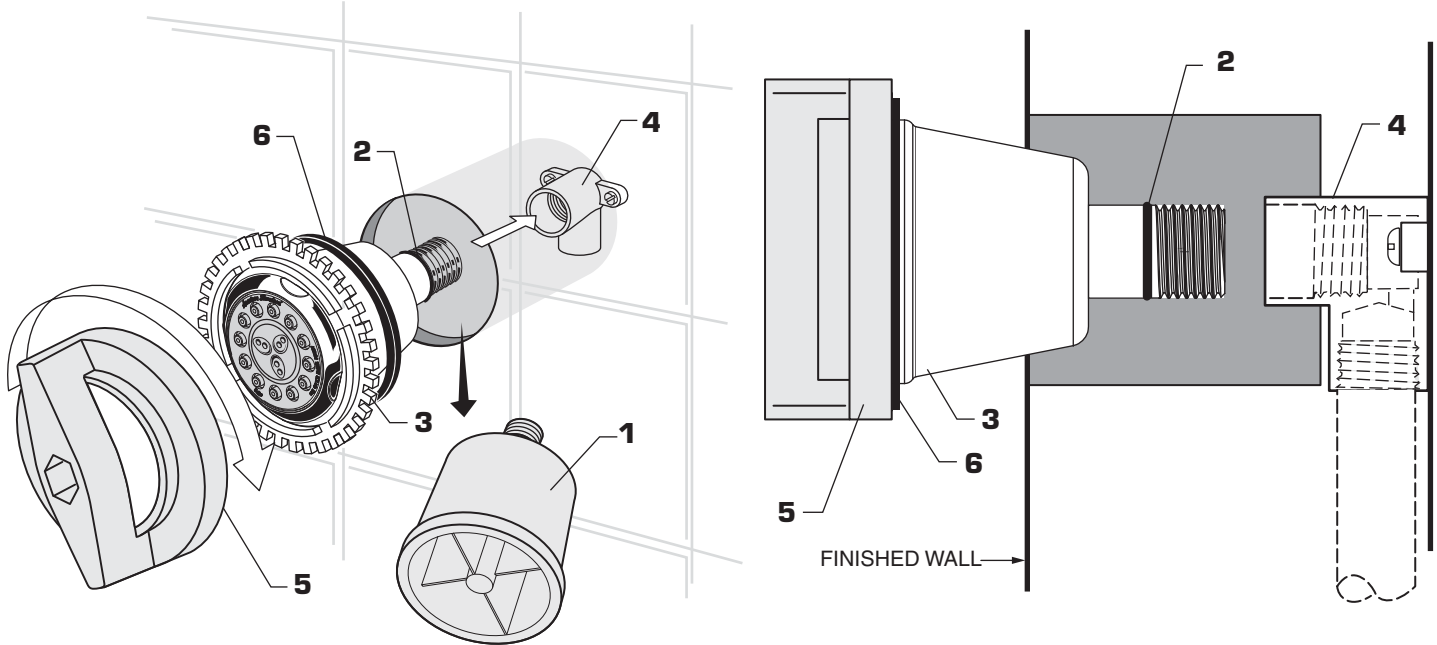
INSTALL PLASTER GUARD

- Make sure the O-RING (3) is installed on the PLASTER GUARD (1).
- Install the PLASTER GUARD (1) into ELBOW (2). **Note:** The finished wall must be between the Min. & Max. lines on the PLASTER GUARD (1).
- Complete all tiling and wall work. When walls are finished remove PLASTER GUARD (1).



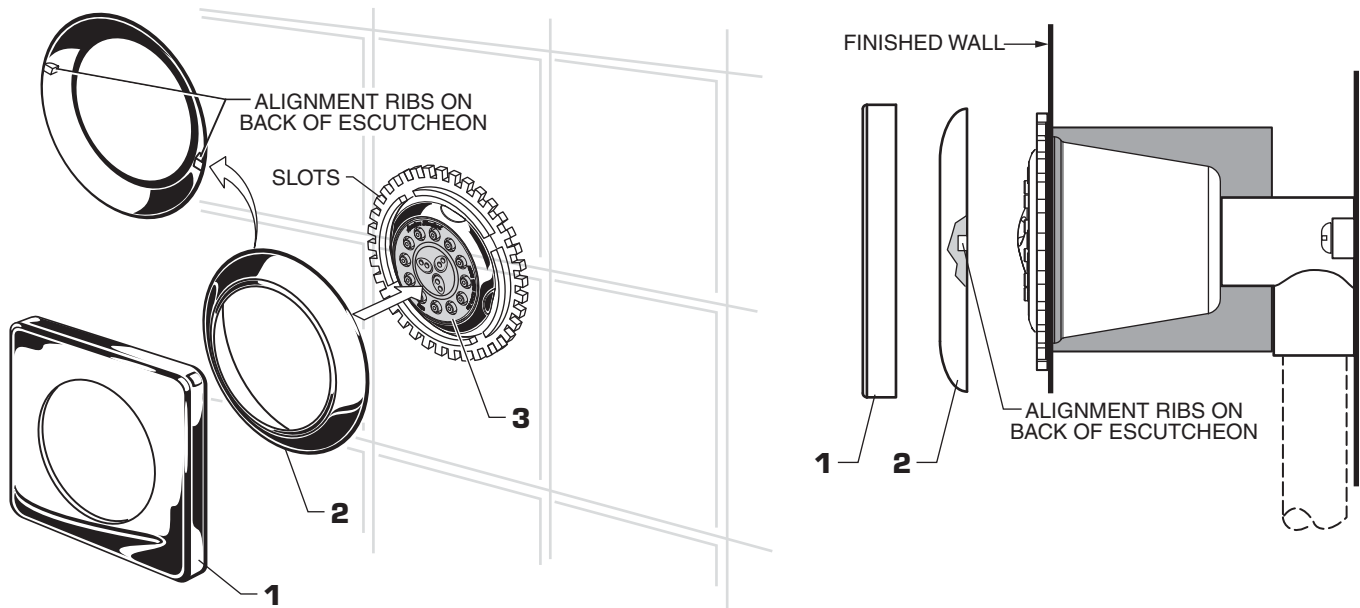
3 INSTALL BODY SPRAY

- Remove the PLASTER GUARD (1) if not already removed.
- Make sure the O-RING (2) and FLANGE GASKET (6) are installed on the BODY SPRAY (3). Thread BODY SPRAY (3) into the ELBOW (4).
- Tighten BODY SPRAY (3) using WRENCH (5) supplied until flush against finished wall and FLANGE GASKET (6) is compressed. Turn on water supply and test installed BODY SPRAY (3) for leaks and proper operation.



4 INSTALL ESCUTCHEON

- Align ribs on back of ESCUTCHEON (1, 2), with slots in BODY SPRAY (3). Push ESCUTCHEON (1, 2) against BODY SPRAY (3) until ESCUTCHEON (1, 2) snaps into place.
- Turn on water supply and test installed BODY SPRAY (3) for leaks and proper operation.



5 CARE:

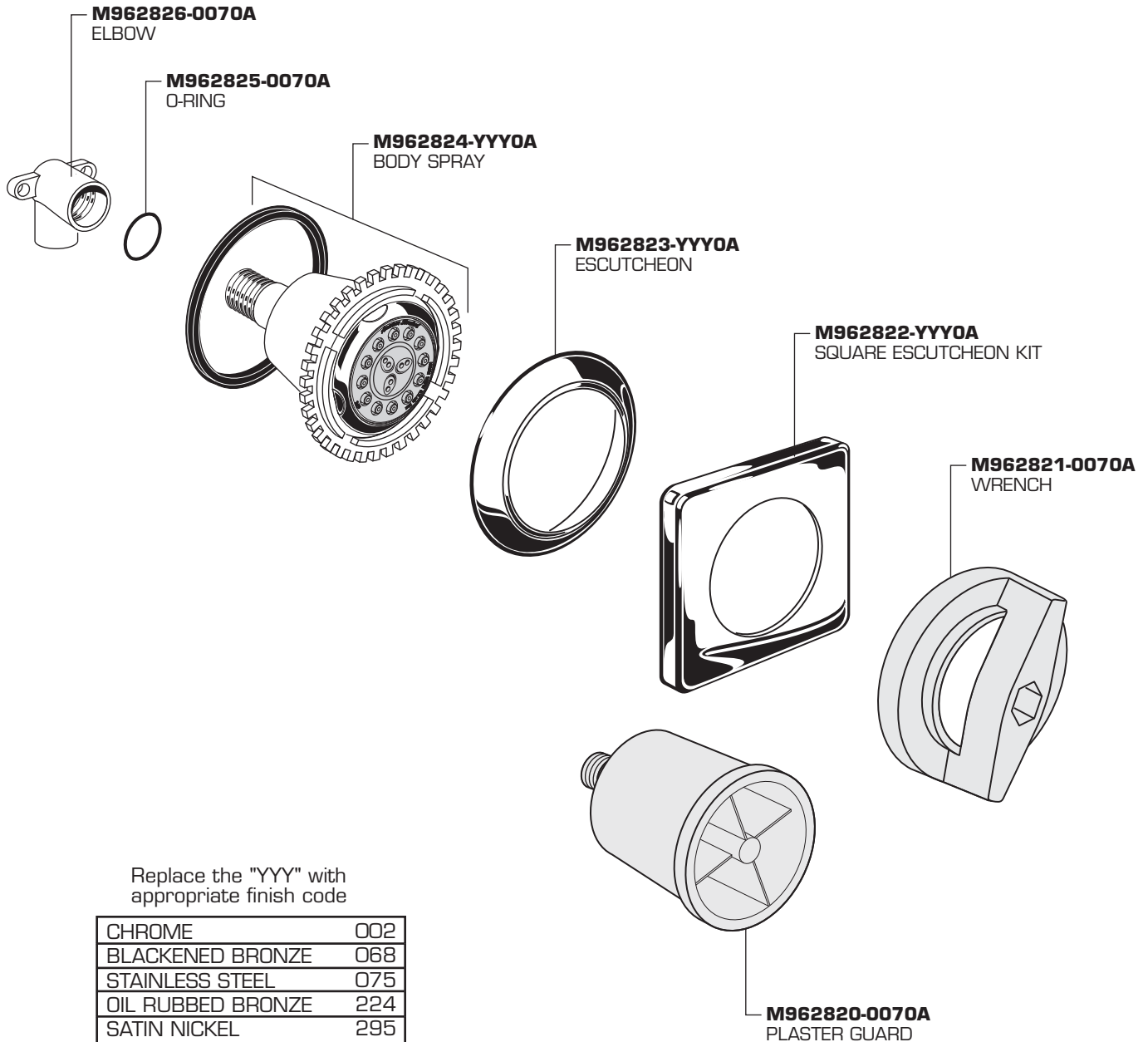
DO: SIMPLY RINSE THE PRODUCT CLEAN WITH CLEAR WATER. DRY WITH A SOFT COTTON FLANNEL CLOTH.

DO NOT: DO NOT CLEAN THE PRODUCT WITH SOAPS, ACID, POLISH, ABRASIVES, HARSH CLEANERS, OR A CLOTH WITH A COARSE SURFACE.

**LUXURY SHOWER
EXTENDER BODY SPRAYS**

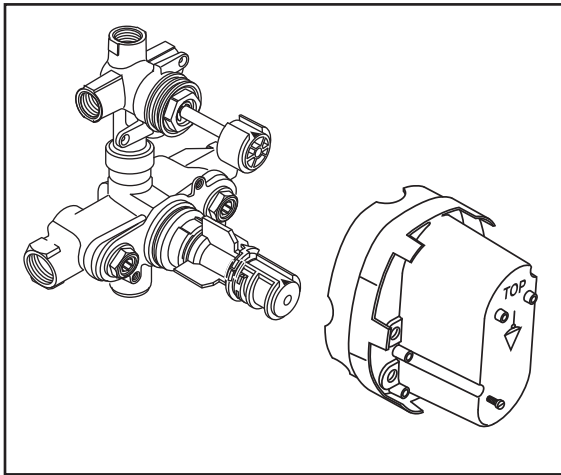
MODEL NUMBERS

**1660.130
1660.140**



HOT LINE FOR HELP

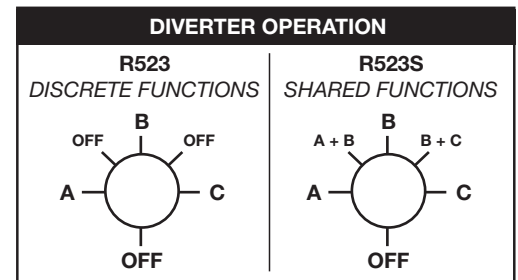
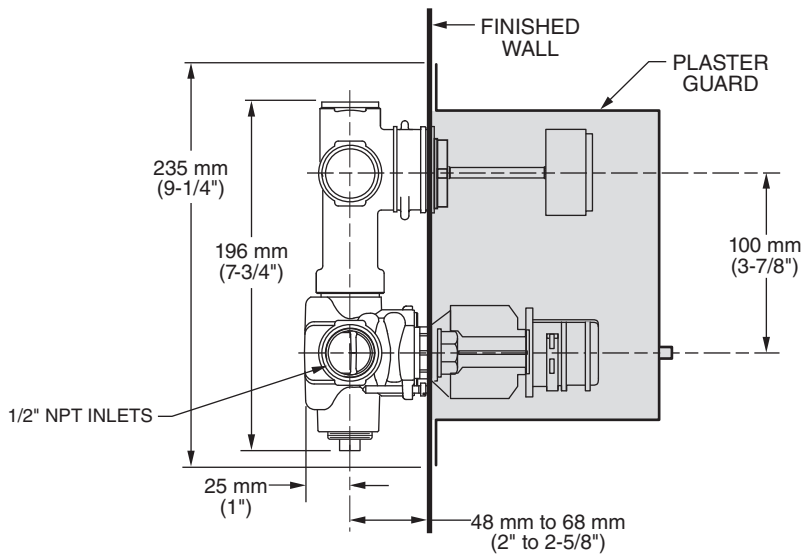
For toll-free information and answers to your questions, call:
1-800-442-1902
Weekdays 8:00 a.m. to 6:00 p.m. EST
IN CANADA 1-800-387-0369 (TORONTO 1-905-306-1093)
Weekdays 8:00 a.m. to 7:00 p.m. EST
IN MEXICO 01-800-839-1200



MODEL NUMBER:

- ❑ **R523 Two-Handle Thermostatic Rough Valve with Built-In 3-Way Diverter (Discrete)**
 1/2" NPT inlets/outlets. 3 Discrete Functions. LESS Trim.

- ❑ **R523S Two-Handle Thermostatic Rough Valve with Built-In 3-Way Diverter (Shared)**
 1/2" NPT inlets/outlets. 3 Discrete Functions/2 Shared Functions. LESS Trim.



GENERAL DESCRIPTION:

Cast brass valve body. The single unit contains two handles, the bottom handle sets the desired temperature and the metal top handle controls on/off, volume and diverter functions. The temperature is maintained by a wax element moving a shuttle valve between the hot and cold. The volume is controlled by twin ceramic disc valve cartridges. Ceratherm includes Hot Limit Safety Stop. Maximum temperature limit is 112°F. 1/2" NPT inlets and outlets.

PRODUCT FEATURES:

- Brass Casting:** Highest quality faucet material for durability & long life.
- Built-in Diverter:** Allows user to choose between 2 or 3 separate shower outlets.
- Wax Thermostatic Unit:** Permits shuttle valve to move between the hot and cold seat to maintain the pre-selected constant water temperature.
- Back to Back Capable:** Hot and cold can be reversed.
- Spring-Loaded Check Valves:** When the hot and cold water enters the fitting, both supplies pass through the spring-loaded check valves to prevent cross flow of hot and cold water.
- Integrated Stop Valves:** Ensure easy cleaning and servicing.
- Adjustable Hot Limit Safety Stop:** Limits the amount of hot water allowed to mix with cold. Reduces the risk of accidental scalding. Maximum water temperature limit may be reduced to 104 or 109 degrees Fahrenheit.

SUGGESTED SPECIFICATION

Two-handle thermostat shall feature a cast brass valve body. Shall feature built-in diverter. Thermostat shall be a wax element shuttle valve. Shall also feature ceramic disc valving, 1/2" NPT inlets and outlets. Fitting shall be American Standard Model # R52_.



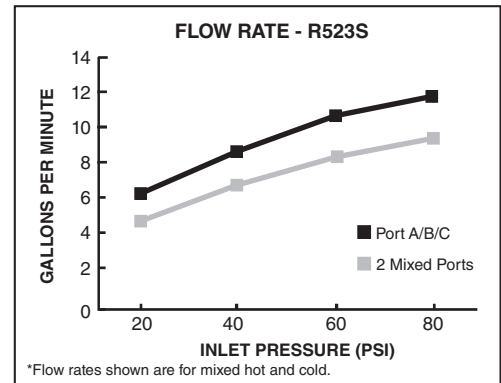
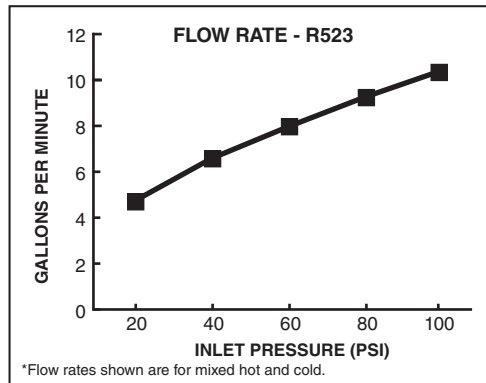
ROUGH VALVES

TWO-HANDLE THERMOSTAT WITH BUILT-IN 3-WAY DIVERTER

CODES AND STANDARDS

These products meet or exceed the following codes and standards:

- ASSE 1016
- ASME A112.18.1
- CSA B125.1



Meets the American Disabilities Act Guidelines and ANSI A117.1 Requirements for the physically challenged.

ROUGH VALVE BODIES	Product Number	Description
	R523	Two-Handle Thermostatic Rough Valve with Built-In 3-Way Diverter. 1/2" NPT Inlets/Outlets. 3 Discrete Functions. LESS Trim.
	R523S	Two-Handle Thermostatic Rough Valve with Built-In 3-Way Diverter. 1/2" NPT Inlets/Outlets. 3 Discrete Functions/2 Shared Functions. tLESS Trim.

R523 and R523S will accept the following trims:

AVAILABLE TRIM KITS	Town Square®	Serin®	Green Tea®	Times Square®	Townsend®
	T555.740	T064.740 	T010.740 	T184.740 	T353.740
	Moments®	Berwick®	Portsmouth®	Quentin™	
	T506.740 	T430.740	T420.740	T440.740 	