

T430.502 Bath/Shower Trim Shown

GENERAL DESCRIPTION:

TRIM KIT

All brass 6-3/4" rain showerhead. IPS diverter spout. Available with metal lever handle. Showerhead: 2.5/9.5L/min. max. flow rate.

ROUGH VALVE BODY

Cast brass body, washerless ceramic disc valve cartridge with back to back capability, and hot limit safety stop. Cycles from "off" to "cold" to "hot". Pressure balancing cartridge maintains constant output temperature in response to changes in relative hot and cold supply pressure. 1/2" inlets and outlets (choice of direct sweat, threaded, or PEX). Available with screwdriver stops. Rough-in plaster guard designed for use as thin-wall mounting adaptor.



SUGGESTED SPECIFICATION:

Bath/shower fitting shall feature all brass rain 6-3/4" showerhead with Max. 2.5gpm/9.5L/min. flow rate. Shall feature a cast brass valve body. Shall feature ceramic disc valve cartridge which is capable of back-to-back installation. Fitting shall be equipped with pressure balancing cartridge engineered to eliminate cross flow and avoid failure due to mineral deposits. Shall also feature hot limit safety stop. Fitting shall be: Rough Valve Body - American Standard Model # R11____, Trim Kit - American Standard Model # T430.50____.

MODEL NUMBER:

TRIM KITS:

- T430.502 Berwick BATH/SHOWER Trim Kit
Metal Lever Handle. LESS Valve Body.
- T430.501 Berwick BATH/SHOWER Trim Kit
Metal Lever Handle. LESS Valve Body.
- T430.500 Berwick VALVE ONLY Trim Kit
Metal Lever Handle. LESS Valve Body.

ROUGH VALVES:

- R110 Pressure Balance Rough Valve Body only
Direct sweat inlets/outlets. LESS trim.
- R110SS Pressure Balance Rough Valve Body only with Screwdriver stops
Direct sweat inlets/outlets. Screwdriver stops. LESS trim.
- R115 Pressure Balance Rough Valve Body only
Female thread inlets/outlets. LESS trim.
- R115SS Pressure Balance Rough Valve Body only with Screwdriver stops
Female thread inlets/outlets. Screwdriver stops. LESS trim.
- R117 Pressure Balance Rough Valve Body only
PEX inlets/Direct sweat outlets. LESS trim.
- R117SS Pressure Balance Rough Valve Body only with Screwdriver stops
PEX inlets/Direct sweat outlets. Screwdriver stops. LESS trim.

PRODUCT FEATURES:

Rough Valve Body: Durable quality that will last a lifetime. Ideal material for prolonged contact with water.

Ceramic Disc Valve Cartridge: Assures a lifetime of drip-free performance. Allows easy control over both water temperature and volume.

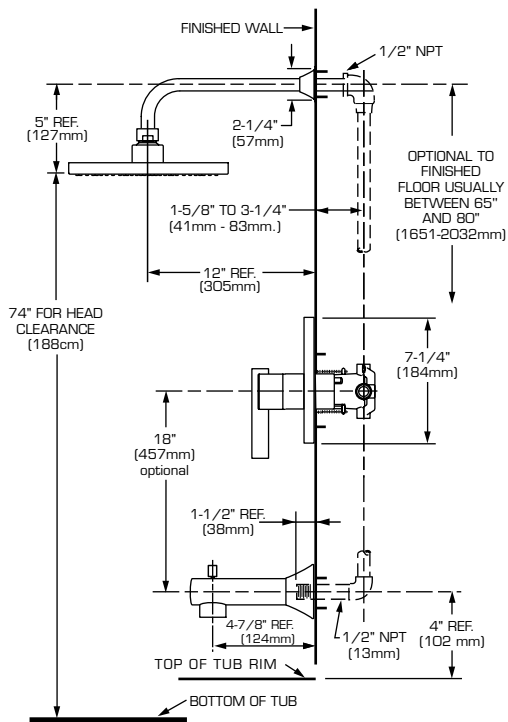
Pressure Balancing Valve Cartridge: Maintains constant output temperature in response to changes in relative hot and cold supply pressure. Diaphragm system engineered to eliminate cross flow. Avoids failure due to mineral deposits - ideal for use in hard water.

Adjustable Hot Limit Safety Stop: Limits the amount of hot water allowed to mix with cold. Reduces the risk of accidental scalding.

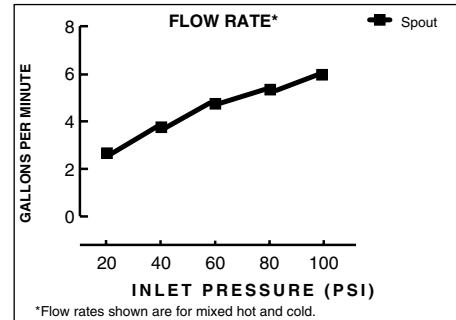
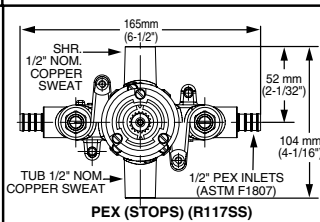
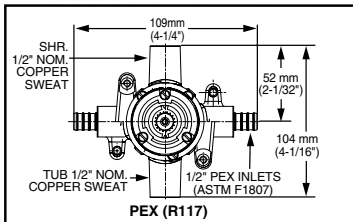
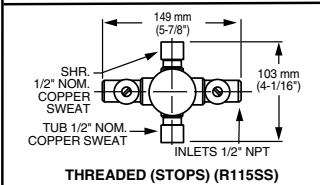
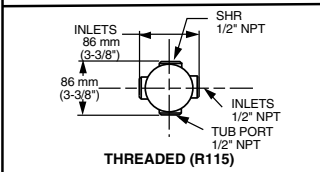
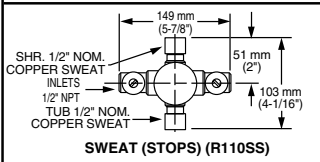
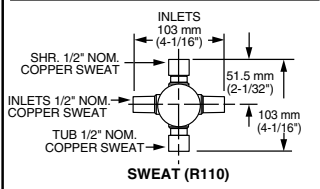
Exclusive Plaster Guard: Plaster guard is designed to protect valve during installation and serve as a mounting plate for thin-wall installations. Two piece design allows valve to be tested prior to trim installation.

Wide Rough-in Range: From 1-5/8" to 3-1/4".

Showerhead: Brass construction: durable quality that will last a lifetime.



VALVE BODY OPTIONS



CODES AND STANDARDS

These products meet or exceed the following codes and standards:

- ANSI A 117.1
- ASSE 1016
- ASME A112.18.1
- CSA B125.1

• Showerhead with 1.5gpm/5.7L.min. flow restrictor.



Meets the American Disabilities Act Guidelines and **ANSI A117.1** Requirements for the physically challenged.

TRIM KITS *	Product Number	Description	Finish Options	
			Polished Chrome	PVD Satin Nickel
			002	295
T430.502	Bath/Shower Trim Kit. Metal Lever Handle. FloWise Showerhead. LESS Valve Body.			
T430.501	Shower Only Trim Kit. Metal Lever Handle. FloWise Showerhead. LESS Valve Body.			
T430.500	Valve Trim Only . Metal Lever Handle. LESS Valve Body.			

ROUGH VALVE BODIES	Product Number	Description
	R110	Rough Valve Body less trim. Direct Sweat inlets/outlets.
	R110SS	Rough Valve Body less trim. Direct Sweat inlets/outlets with Screwdriver Stops.
	R115	Rough Valve Body less trim. Female Thread inlets/outlets.
	R115SS	Rough Valve Body less trim. Female Thread inlets/outlets with Screwdriver Stops.
	R117	Rough Valve Body less trim. PEX inlets/ Direct Sweat outlets.
	R117SS	Rough Valve Body less trim. PEX inlets/ Direct Sweat outlets with Screwdriver Stops.

* TRIM & ROUGH MUST BE ORDERED SEPARATELY.

American Standard

Installation Instructions T430.50X

BERWICK™ BATH AND SHOWER TRIM KIT

Thank you for selecting American-Standard...the benchmark of fine quality for over 100 years.

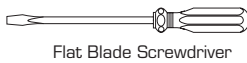
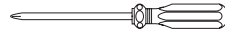
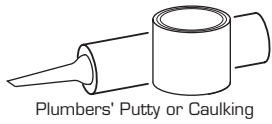
To ensure that your installation proceeds smoothly—please read these instructions carefully before you begin.

Certified to comply with ANSI A112.18.1

M968602

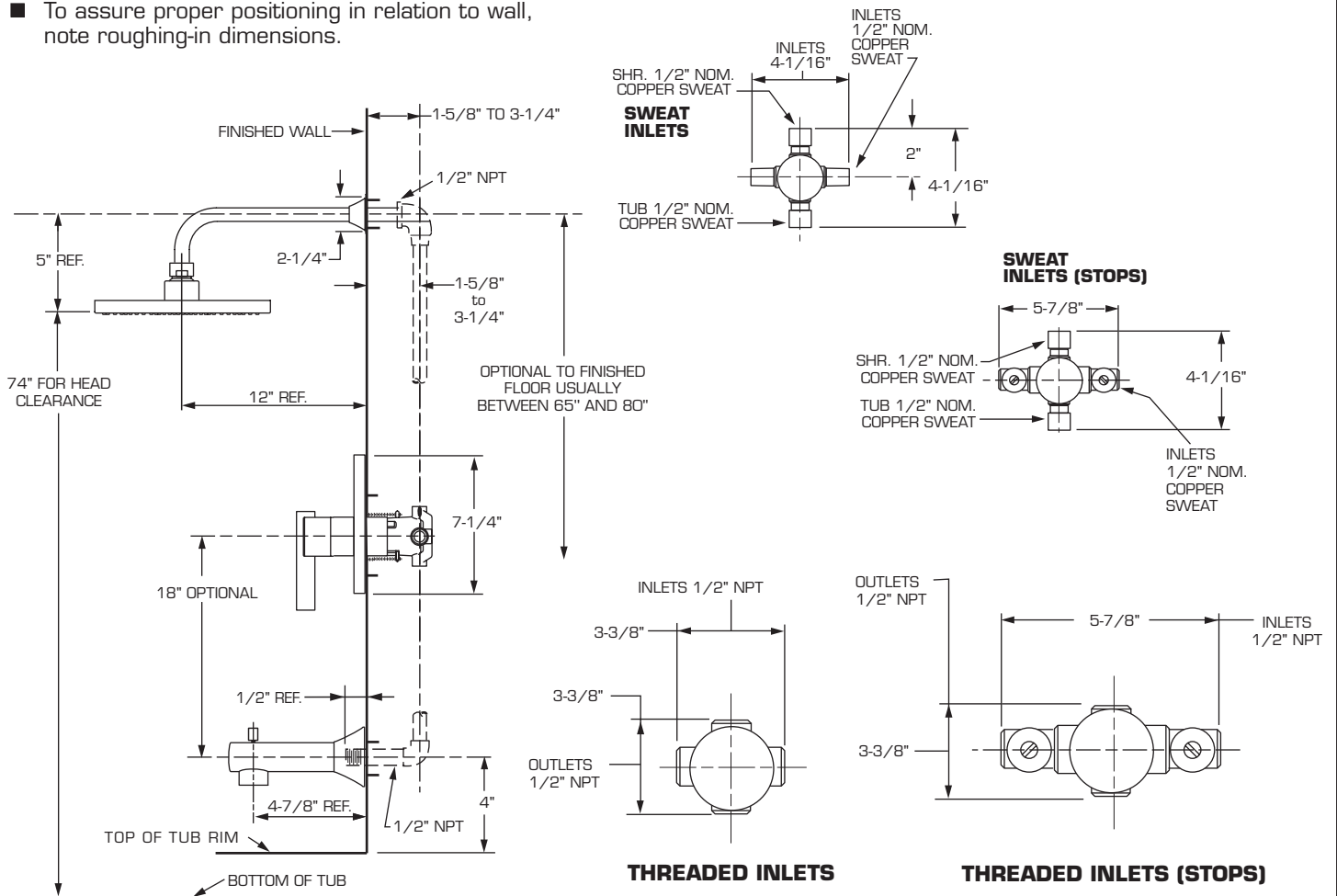


Recommended Tools



ROUGHING-IN DIMENSIONS

- To assure proper positioning in relation to wall, note roughing-in dimensions.



1 INSTALL VALVE TRIM

- **Figure 1.** Remove plaster guard from valve. Push CAP (1) over VALVE CARTRIDGE (2) until seated against stop.
- **Figure 2.** Push ESCUTCHEON HOLDER (3) onto CAP (1) and attach to valve body with LONG SCREWS (4). Mount ESCUTCHEON SUPPORT (5) to ESCUTCHEON HOLDER (3) with 4 SHORT SCREWS (6).
- **Figure 3.** Install ESCUTCHEON (7) onto CAP (1) and push flush against finished wall. Escutcheon (7) will snap fit onto ESCUTCHEON SUPPORT (5).

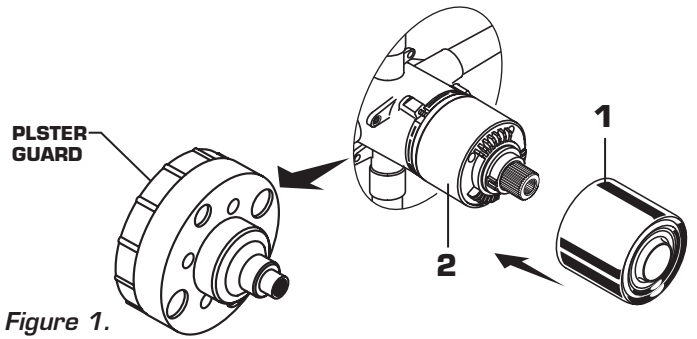


Figure 1.

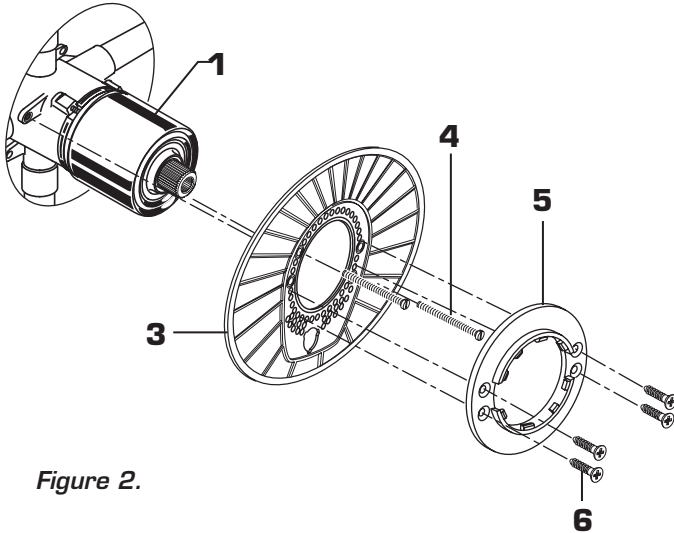


Figure 2.

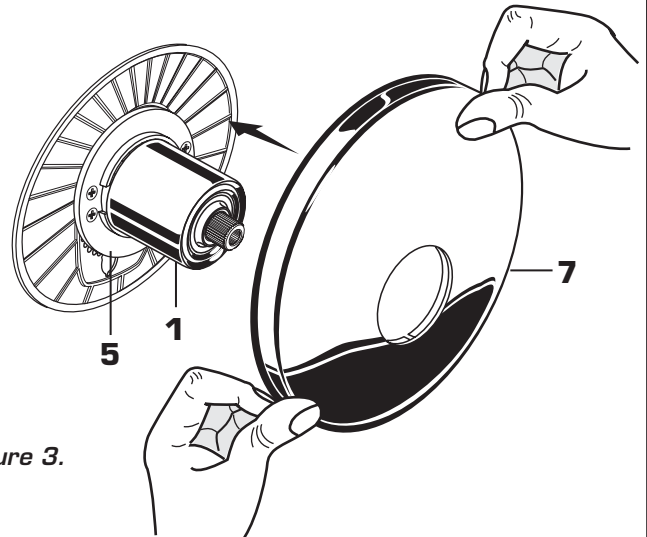


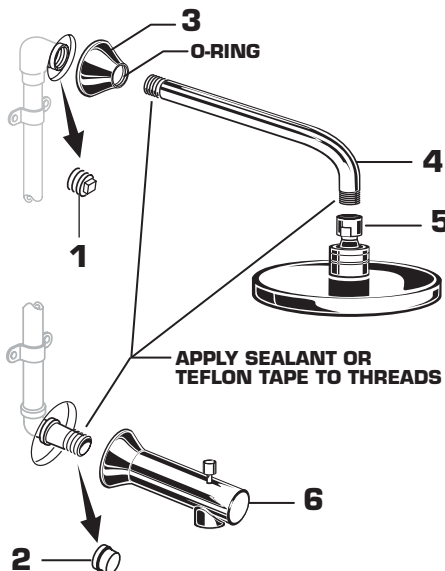
Figure 3.

2 INSTALL TRIM

CAUTION: Protect finish on SHOWER HEAD and TUB SPOUT when installing.

Note: Apply sealant or Teflon Tape to shower and tub spout connections.

- Remove PIPE PLUG and CAP (1, 2) from shower pipe and tub filler pipe.
- Install SHOWER ESCUTCHEON (3) with O-ring onto SHOWER ARM (4). Apply sealant or Teflon tape to threads on both ends of SHOWER ARM (4) and thread longer leg of SHOWER ARM (4) into shower elbow. Thread SHOWER HEAD (5) onto SHOWER ARM (4).
- Thread TUB SPOUT (6) onto spout nipple flush with finished wall.



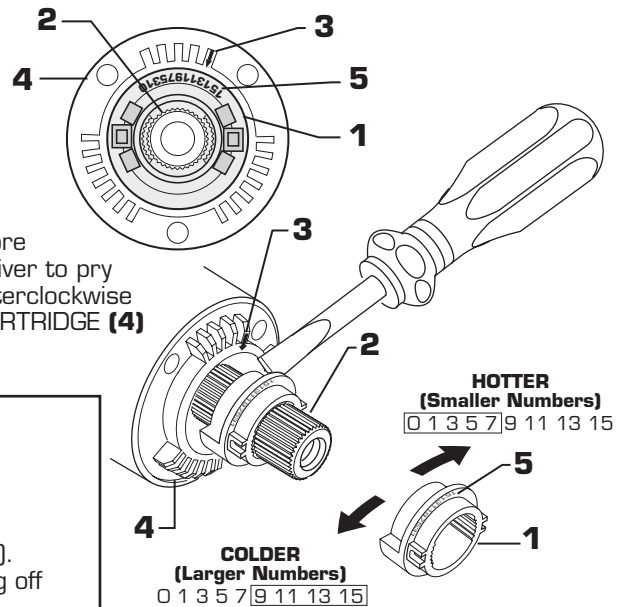
3 INSTALL HANDLE

- Hold ADAPTER (1) onto VALVE STEM (2) and install ADAPTER SCREW (3) through ADAPTER (1) into VALVE STEM (2). Tighten ADAPTER SCREW (3) to secure ADAPTER (1) to VALVE STEM (2).
- Install HANDLE BASE (4) onto ADAPTER (1). Insert SET SCREW (5) into HANDLE BASE (4). Align HANDLE BASE (4) and tighten with HEX WRENCH (6) supplied.



4 ADJUST HOT LIMIT STOP

- By restricting HANDLE rotation and limiting the amount of hot water allowed to mix with the cold, the HOT LIMIT SAFETY STOP (1) reduces risk of accidental scalding. To set the maximum hot water temperature of your faucet, all you need to do is adjust the setting on the HOT LIMIT SAFETY STOP (1).
- Turn CARTRIDGE STEM (2) to the OFF position (coldest setting) before making adjustment to HOT LIMIT STOP (1). Use a flat blade screwdriver to pry free the HOT LIMIT SAFETY STOP (1). Pull forward and rotate counterclockwise one number to limit hot water temperature. Use ARROW (3) on CARTRIDGE (4) and NUMBERS (5) on HOT LIMIT STOP (1) for indication.



5 TO GAIN ACCESS TO VALVE FOR SERVICING

- Remove HANDLE (see step 3 and reverse).
- Remove ESCUTCHEON and CARRIDGE CAP (see step 1 and reverse). Shut off water supply by either closing off main water supply, or closing off the hot and cold CHECK STOPS on valve.

VALVE LEAKS WHEN SHUT OFF

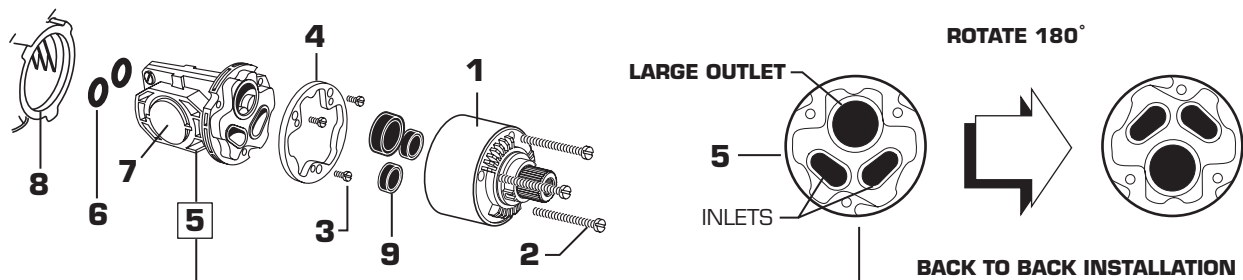
- Remove CARTRIDGE (1) by removing CARTRIDGE SCREWS (2). Remove three SCREWS (3) from FIXATION RING (4) and pull out PRESSURE BALANCING (5) unit.
- Clean SEALS (9) on base of CARTRIDGE (1). Check base of PRESSURE BALANCING UNIT (5) and clean O-RINGS (6). Remove CAPS (7) and check O-RINGS on inside of CAPS (7). Clean inside sealing surfaces of VALVE BODY (8).
- Re-assemble PRESSURE BALANCING UNIT (5) and CARTRIDGE (1). Tighten all screws.
- Turn on water supply and see above for installing TRIM and HANDLE.

UNABLE TO MAINTAIN CONSTANT TEMPERATURE

- Remove PRESSURE BALANCE UNIT (5).
- Remove CAPS (7) and clean valve thoroughly.
- Examine balancing unit and check condition of O-ring on end of piston. Piston should move back and forth. Order Repair Part M952100-0070A if balancing unit is defective.
- Replace CAPS (7) and install PRESSURE BALANCE UNIT (5). Make sure inlets line up with two holes in bottom of casting. Top flange should butt-up against top of casting.

BACK TO BACK INSTALLATION

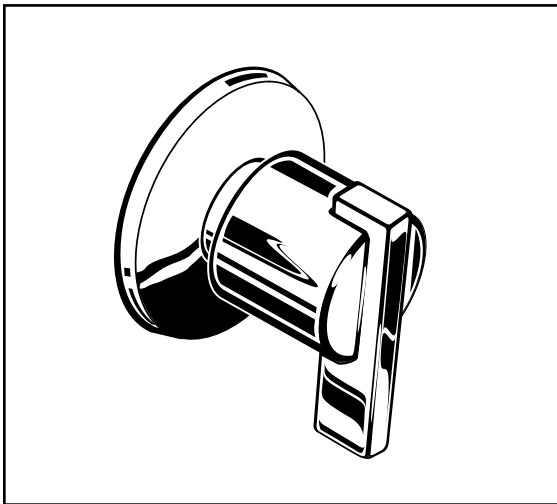
- Remove PRESSURE BALANCE UNIT (5). Rotate PRESSURE BALANCE UNIT (5) 180° so that the inlets face up and the large outlet port faces down.
- Push PRESSURE BALANCE UNIT (5) in casting make sure inlets line up with holes in bottom of casting. Top flange should butt up against top of casting.
- Reassemble FIXATION RING (4) and CARTRIDGE (1).



6 CARE INSTRUCTIONS:

DO: SIMPLY RINSE THE PRODUCT CLEAN WITH CLEAR WATER. DRY WITH A SOFT COTTON FLANNEL CLOTH.

DO NOT: DO NOT CLEAN THE PRODUCT WITH SOAPS, ACID, POLISH, ABRASIVES, HARSH CLEANERS, OR A CLOTH WITH A COARSE SURFACE.



T430.430 Shown

Revised 1/10

MODEL NUMBER:

TRIM KITS:

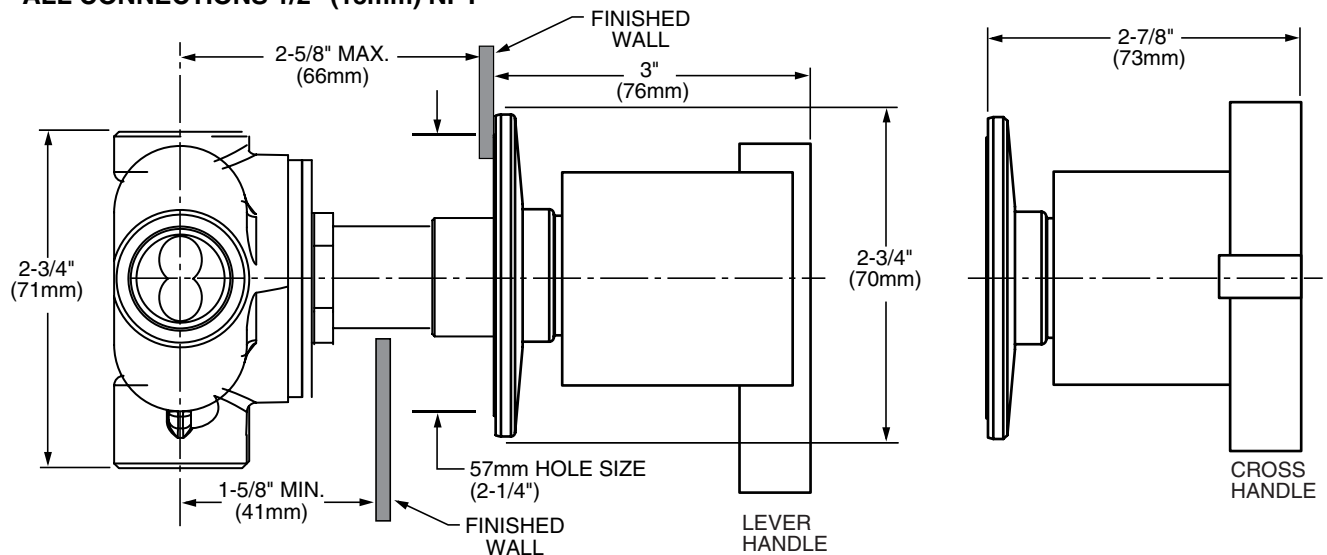
- T430.430 Berwick Diverter Valve Trim
Valve Trim ONLY. Lever Handle. LESS Valve.
- T430.432 Berwick Diverter Valve Trim
Valve Trim ONLY. Cross Handle. LESS Valve.

ROUGH VALVE BODIES:

- R420 Two-Way In-Wall Diverter Valve Rough
1/2" NPT inlets/outlets. Less Handle.
- R430 Three-Way In-Wall Diverter Valve Rough
1/2" NPT inlets/outlets. Less Handle.

NOTE: Cannot be used as a shut-off valve.

ALL CONNECTIONS 1/2" (13mm) NPT



GENERAL DESCRIPTION:

In-Wall Diverters: Rotational control alternates water flow between two (R420) or three (R430) different shower outlets (i.e. showerhead, handspray, body side spray or tub spout). Forged brass valve body. Mixed water inlet and two (R420) or three (R430) outlets are marked on back of valve body. 1/2" NPT connections on mixed water inlet and two (R420) or three (R430) outlets. Stamped brass escutcheon. Tub port with increased water flow (see chart).

NOTE: Cannot be used as a shut-off valve.

PRODUCT FEATURES:

- Solid Brass Construction:** Durable, ideal material for prolonged contact with water.
- Removable Plaster Guard:** Permits checking of valve installation prior to installing trim parts.
- Choice of Finishes:** Wide range of durable finishes.

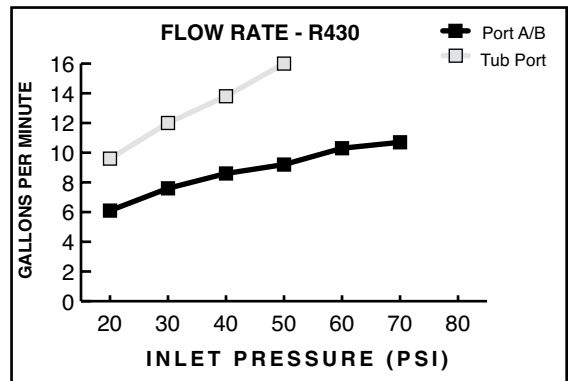
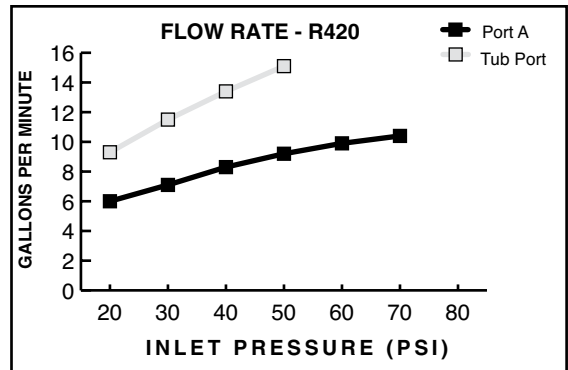
SUGGESTED SPECIFICATION

Two (three) way diverter shall feature a forged brass body with 1/2" NPT mixed water inlet and outlets. Fitting shall be American Standard Model # T430.43_._ (Diverter Valve Trim) and R4_0. (Rough Valve Body).

CODES AND STANDARDS

These products meet or exceed the following codes and standards:

- ASME A112.18.1
- CSA B125.1



TRIM KITS**	Product Number	Description	Finish Options	
			Polished Chrome	PVD Satin Nickel
			002	295
	T430.430	Diverter Valve Trim. Lever Handle. Less Valve.		
	T430.432	Diverter Valve Trim. Cross Handle. Less Valve.		

ROUGH VALVE BODIES	Product Number	Description		
			R420	Two-Way In-Wall Diverter. Less Handle.
			R430	Three-Way In-Wall Diverter. Less Handle.

**** ROUGHS AND TRIMS MUST BE ORDERED SEPARATELY.**

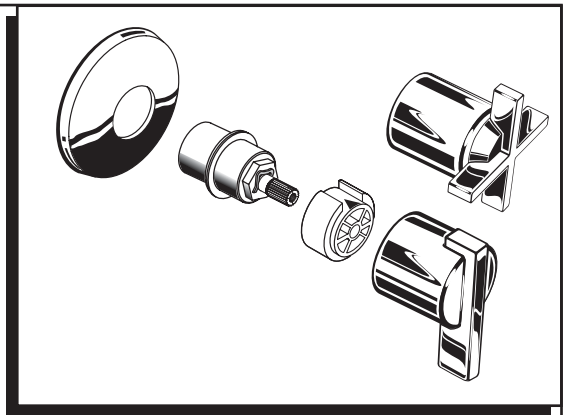
Meets the American Disabilities Act Guidelines and **ANSI A117.1** Requirements for the physically challenged.

American Standard

Installation Instructions

BERWICK™ DIVERTER TRIM KIT

T430.430
T430.432



Thank you for selecting American-Standard...the benchmark of fine quality for over 100 years.

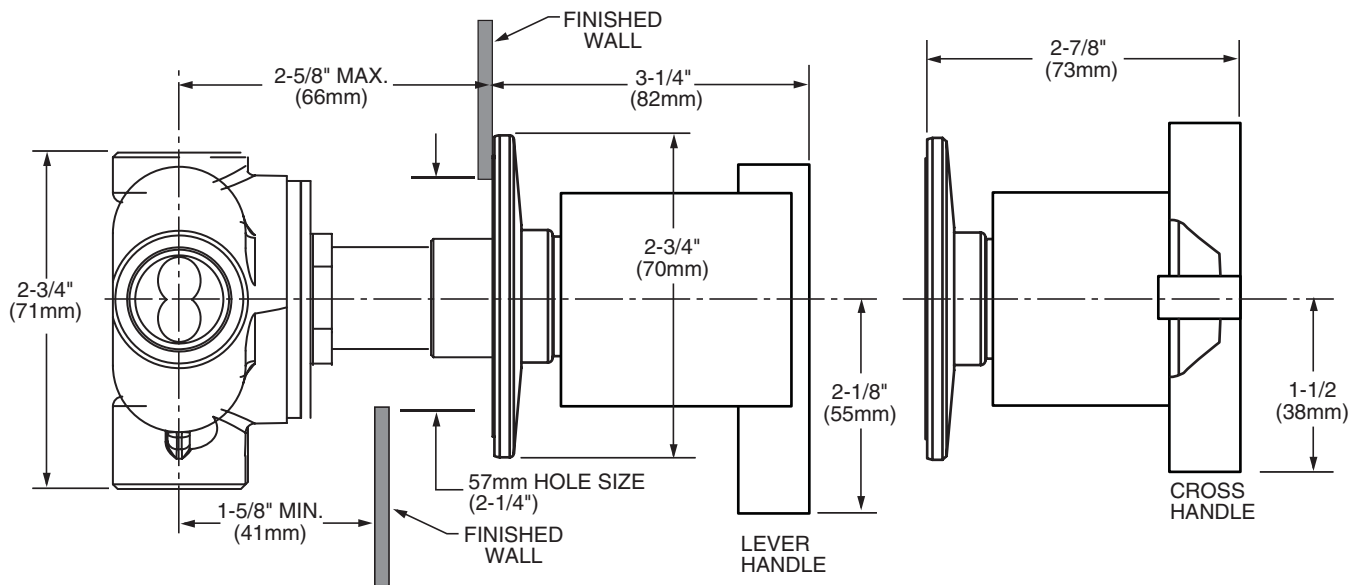
To ensure that your installation proceeds smoothly—please read these instructions carefully before you begin.

Certified to comply with ANSI A112.18.1

M965000

ROUGHING-IN DIMENSIONS

ALL CONNECTIONS 1/2" (13mm) NPT



Recommended Tools



Flat Blade Screwdriver



Phillips Screwdriver

CARE INSTRUCTIONS:

- To keep your new faucet looking new, please follow these simple care instructions:

DO: ■ Simply rinse the faucet clean with clear water.
■ Dry the faucet with a soft cotton cloth.

DO NOT:

- Do not use any abrasive cleaners, cloths, or paper towels.
- Do not use any cleaning agents containing acids, polish abrasives, or harsh cleaners or soaps.

- Regular and routine cleaning will reduce the need for heavy cleaning and polishing. If heavy cleaning is required, the following procedures are recommended:

- Remove as much surface dirt and film using clear water and soft cotton cloth **(as described above)**.

■ Use any of the following to remove tough surface film and build-up:

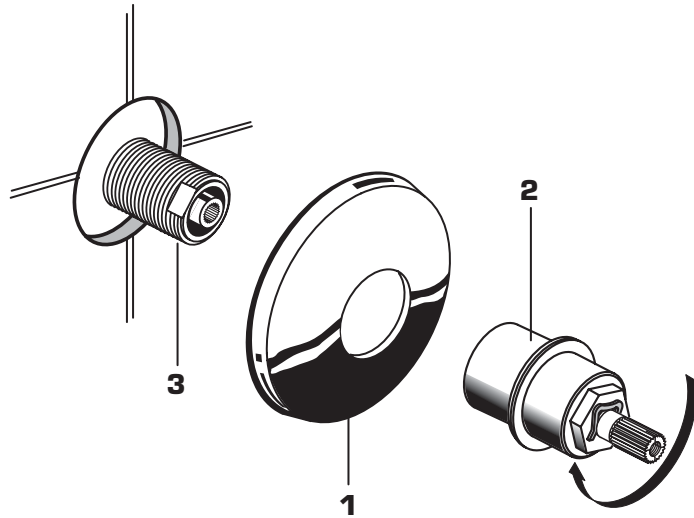
- Mild liquid detergents
- Clear ammonia free liquid glass cleaners
- Non-acidic, non-abrasive gentle liquid or fully dissolved powder cleansers mixed according to manufacturers directions.
- Non-abrasive liquid polishes

- Once clean, rinse faucet again with clear water to thoroughly remove cleaner or polish and blot dry with a soft cotton cloth.

Failure to follow these care instructions may damage the Faucet's finish.

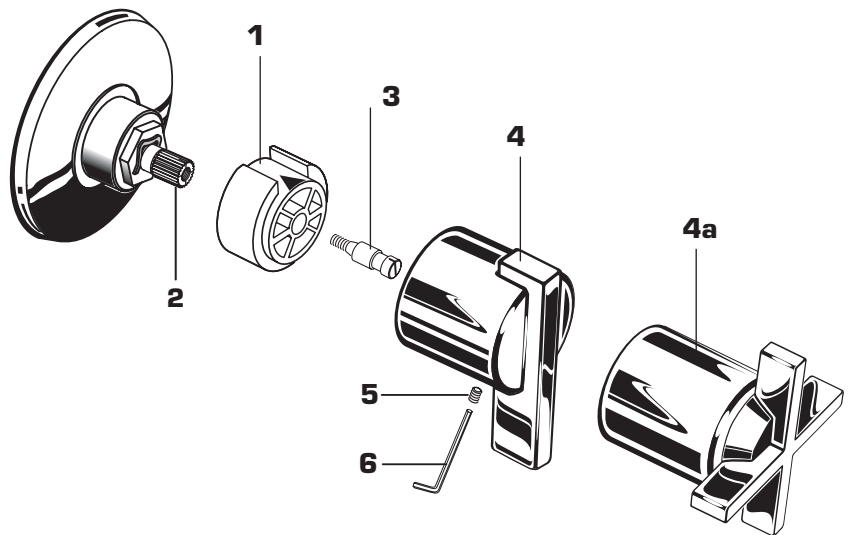
1 TRIM INSTALLATION

- Place ESCUTCHEON (1) onto ESCUTCHEON HOLDER (2).
- Align ESCUTCHEON (1). Thread ESCUTCHEON HOLDER (2) onto DIVERTER VALVE (3).
- Tighten until ESCUTCHEON (1) is snug against finished wall.



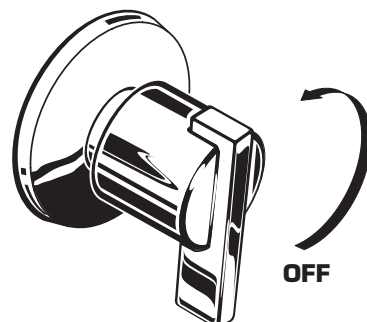
2 HANDLE INSTALLATION

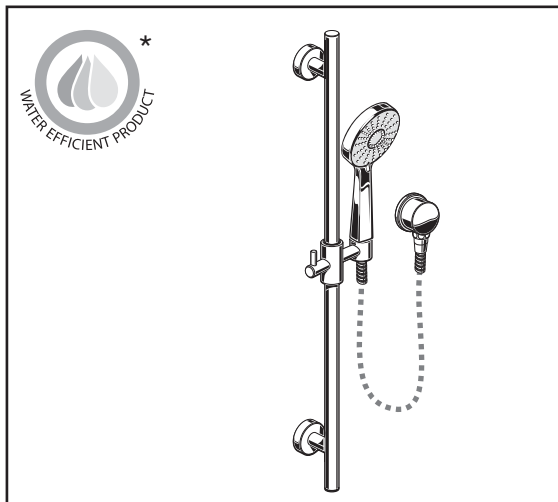
- Install KNOB MOUNT (1) onto VALVE STEM (2).
- Thread HANDLE SCREW (3) into VALVE STEM (2) and tighten.
- Align HANDLE (4, 4a) and push onto KNOB MOUNT (1).
- Tighten SET SCREW (5) in handle with HEX WRENCH (6) SUPPLIED.



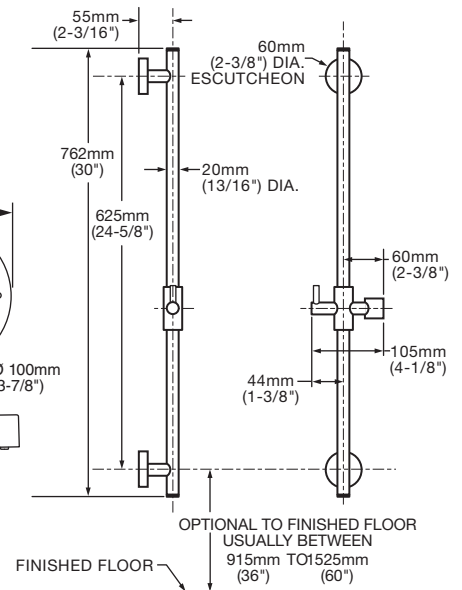
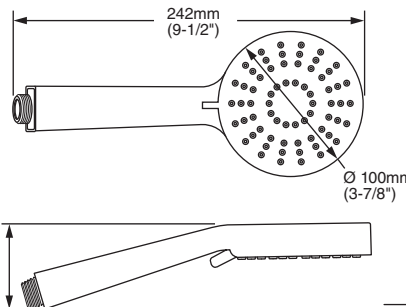
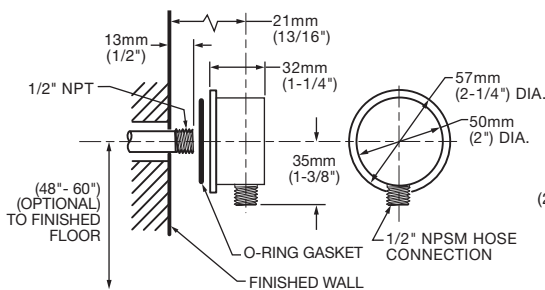
3 OPERATING THE VALVE

- Turn water supply on and test installed fitting.
- Rotate handle to all diverter positions to check operation of valve.
- Check for leaks.





*WaterSense approval pending



GENERAL DESCRIPTION:

Complete shower system kit includes: a wall supply with 1/2" NPT female inlet, 1/2" NPSM male outlet; a 59" (1500mm) shower hose; a water saving hand shower; and a 30" Standard Slide Bar. Hand shower adjusts from full spray to full/massage combination to pulsating massage. Spray pattern can be changed with the flick of the thumb. 2.0 gpm/7.6L/min. flow restrictor. Adjustable shower holder can be set at any height or position along the bar and angle up to 45°. Kit includes double check valves to prevent cross flow of hot and cold water.

PRODUCT FEATURES:

HAND SHOWER

Water Saving: Saves up to 20% in water usage.

Lightweight, Ergonomic Design: For a sure grip even with wet, soapy hands.

Simple Spray Pattern Adjustment: Spray patterns can be changed with a flick of the thumb. A true one-handed operation.

Variety of Spray Patterns: Allows the user to select the type of spray best suited to their needs.

SLIDE BAR

Simple Height Adjustment: Allows positioning of the personal shower anywhere along the bar.

SELECTION OF FINISHES

Available Finishes: Wide range of durable finishes.

SUGGESTED SPECIFICATION:

Shower system shall feature a wall supply with 1/2" NPT female inlets, 1/2" NPSM male outlet, 59" hose, hand shower and a 30" Standard Slide Bar. Hand shower shall be ergonomically designed for a positive grip even when wet. Spray pattern adjustment shall be performed with simple movement of thumb without need to change grip on handle. Hand shower shall save a minimum of 20% in water usage. Kit shall include double check valves to prevent cross flow of hot and cold water. Fitting shall be American Standard Model # 1662.801._____.



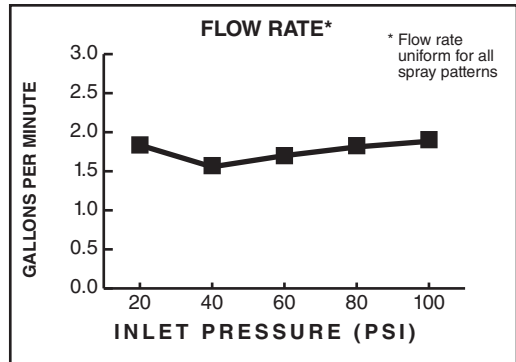
SHOWER SYSTEMS

WATER SAVING 3-FUNCTION HAND SHOWER

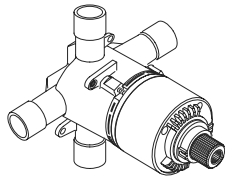
CODES AND STANDARDS

Install as required to comply with local code requirements.

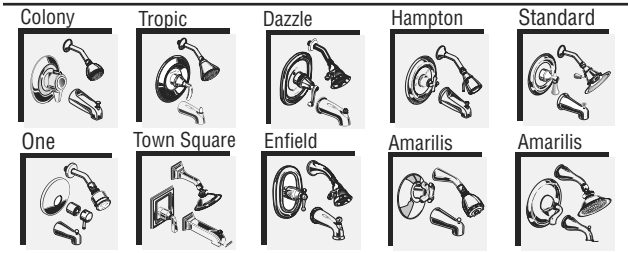
ASME A112.18.1
CSA 125



Product Number	Description	Finish
		Polished Chrome
		002
1662.801	Shower System Kit. Contains Water Saving 3-Function Hand Shower, Hose, Wall supply and Slide Bar.	



Available Trim Kits



R110 Valve Body Shown

GENERAL DESCRIPTION:

Cast brass body, washerless ceramic disc valve cartridge with back-to-back capability and hot limit safety stop. Cycles from "off" to "cold" to "hot". Pressure balancing cartridge maintains constant output temperature in response to changes in relative hot and cold supply pressure. One-half inch inlets and outlets (choice of direct sweat, threaded, or PEX). Available with screwdriver stops. Rough-in plaster guard designed for use as thin-wall mounting adaptor. Valve body will accept a variety of decorative Bath/Shower trims.

PRODUCT FEATURES:

Cast Brass Valve Body: Durable - Quality that will last a lifetime. Ideal material for prolonged contact with water.

Ceramic Disc Valve Cartridge: Assures a lifetime of drip-free performance. Allows easy fine tuning of temperature (125° handle rotation from off to hot).

Pressure Balancing Valve Cartridge: Maintains constant output temperature in response to changes in hot and cold supply pressure. Diaphragm system engineered to eliminate cross flow. Avoids failure due to mineral deposits - ideal for use in hard water

Back-to-Back Capability: Hot and cold can be reversed quickly and easily.

Adjustable Hot Limit Safety Stop: Limits the amount of hot water allowed to mix with cold. Reduces the risk of accidental scalding.

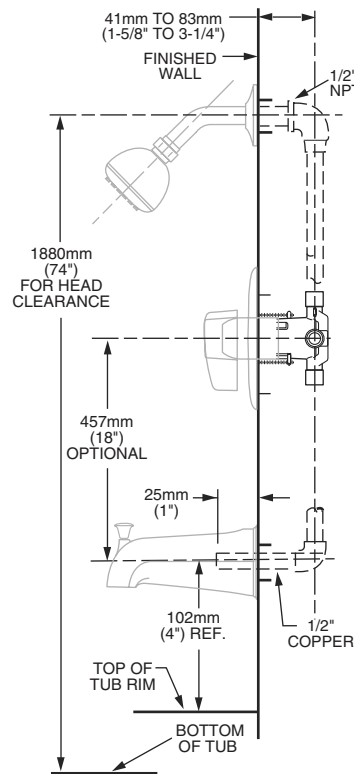
Exclusive Plaster Guard: Plaster guard is designed to protect valve during installation and serve as a mounting plate for thin-wall installations. 2 piece design allows valve to be tested prior to trim installation.

Wide Rough-in Range: From 1-5/8" to 3-1/4".

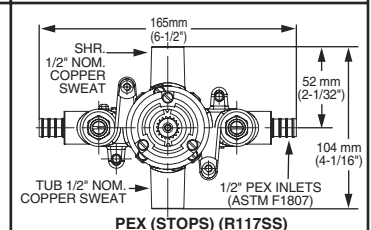
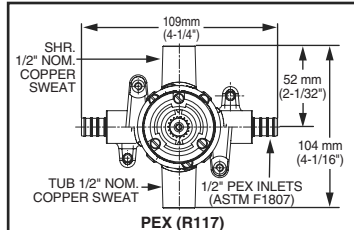
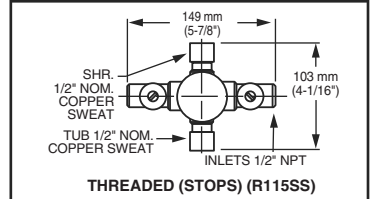
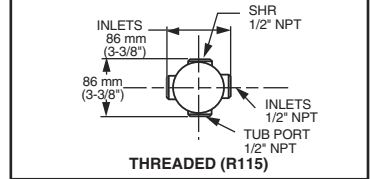
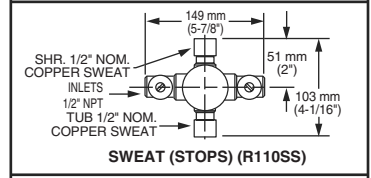
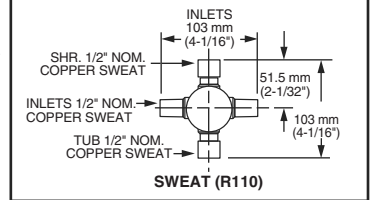
MODEL NUMBER:

- R110 Pressure Balance Rough Valve Body only**
Direct sweat inlets/outlets. LESS trim.
- R110SS Pressure Balance Rough Valve Body only with Screwdriver stops**
Direct sweat inlets/outlets. Screwdriver stops. LESS trim.
- R115 Pressure Balance Rough Valve Body only**
Female thread inlets/outlets. LESS trim.
- R115SS Pressure Balance Rough Valve Body only with Screwdriver stops**
Female thread inlets/outlets. Screwdriver stops. LESS trim.
- R117 Pressure Balance Rough Valve Body only**
PEX inlets/Direct sweat outlets. LESS trim.
- R117SS Pressure Balance Rough Valve Body only with Screwdriver stops**
PEX inlets/Direct sweat outlets. Screwdriver stops. LESS trim.

See reverse for available trim kits.



VALVE BODY OPTIONS



SUGGESTED SPECIFICATION:

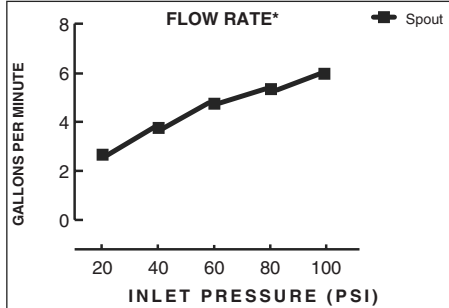
Bath/shower fitting shall feature a cast brass body. Shall feature ceramic disc valve cartridge which is capable of back-to-back installation. Fitting shall be equipped with pressure balancing cartridge engineered to eliminate cross flow and avoid failure due to mineral deposits. Shall also feature hot limit safety stop. Fitting shall be: Rough Valve Body - American Standard Model # R11____, Trim Kit - American Standard Model # ____.

Valve + Trim: Trim Kit & Valve Body Packaged Separately

To order: Specify valve body **and** trim kit desired

Example: R110 - Direct Sweat Valve Body

T215.701 - Hampton Bath/Shower Trim Kit (Porcelain Cross Handle)



*Flow rates shown are for mixed hot and cold.

CODES AND STANDARDS

These products meet or exceed the following codes and standards:

- ASSE 1016
- ASME A112.18.1
- CSA B 125

• Showerhead with 2.5gpm/9.5L.min. flow restrictor.

VALVES						
	R110	R110SS	R115	R115SS	R117	R117SS
	Direct Sweat Inlets/Outlets	Direct Sweat Inlets/Outlets w/ Screwdriver Stops	Female Thread Inlets/Outlets	Female Thread Inlets/Outlets w/ Screwdriver Stops	PEX Inlets/Direct Sweat Outlets	PEX Inlets/Direct Sweat Outlets w/ Screwdriver Stops

TRIM KITS		Colony*	Tropic	Dazzle	Hampton**	Standard	Town Square	One	Enfield***	Amarilis****	Amarilis****
B/S		T375.XXX	T038.502	T028.502	T215.7XX	T6181	T555.502	T064.502	T373.5X2	T335.000	T345.000
Shower		T372.XXX	T038.501	T028.501	T212.7XX	T6180	T555.501	T064.501	T373.5X1	T332.000	T342.000
Valve		T371.XXX	T038.500	T028.500	T211.7XX	T6179	T555.500	T064.500	T373.5X0	T331.000	T341.000

NOTES:

* COLONY

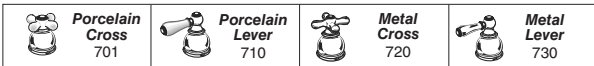


** HAMPTON

available with choice of four handles.

to order: specify the three digit handle number

ex) T211.701 (valve only trim kit w/ porcelain cross handle)



*** ENFIELD available with lever or cross handle



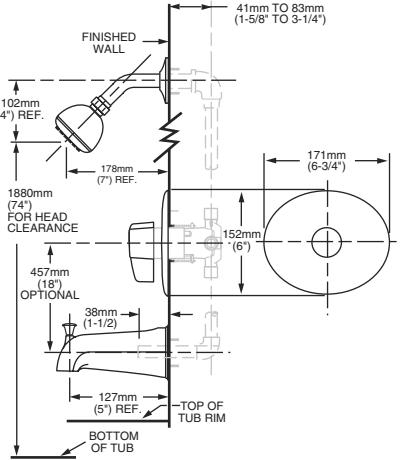
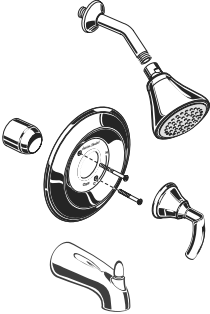
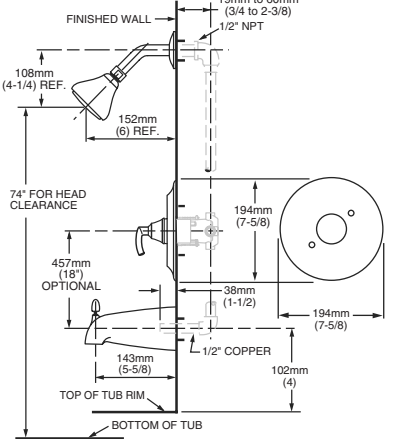
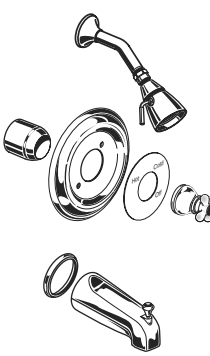
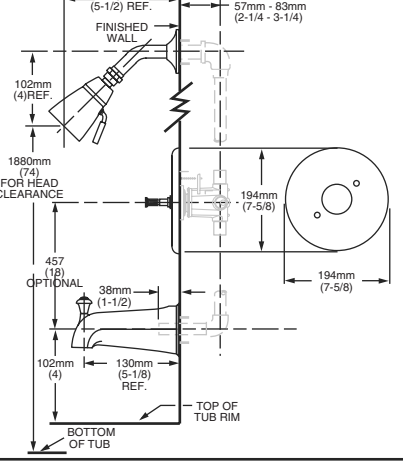






**** AMARILIS



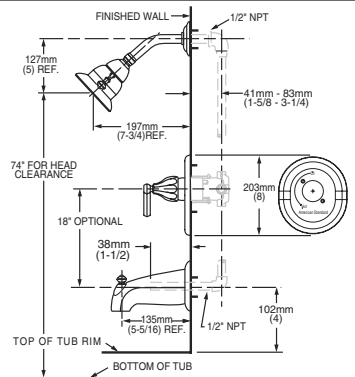


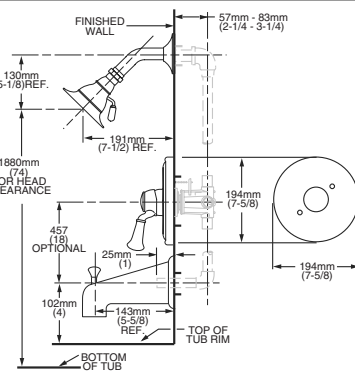


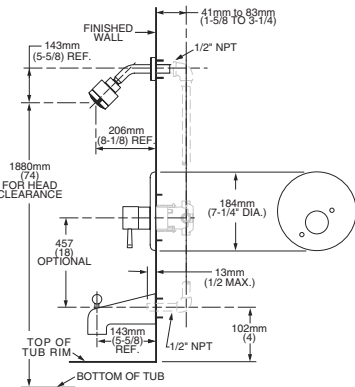
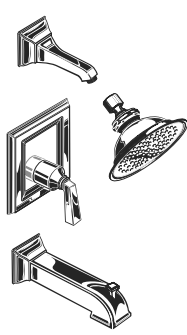

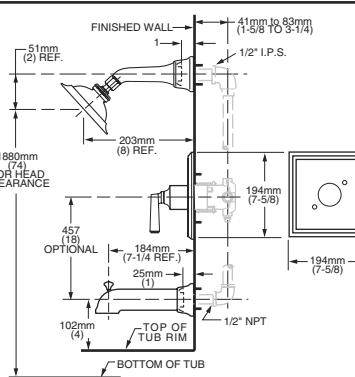
trim kits are less handles--must be ordered separately.

the following handle kits are available:


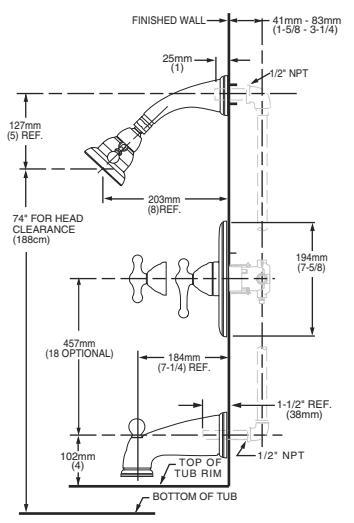

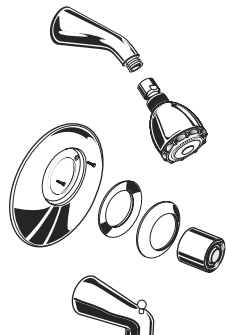
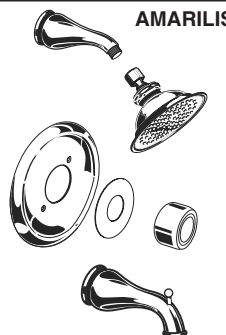
Trim Kits for R110, R110SS, R115, R115SS, R117, R117SS rough valve bodies. Showerhead with 2.5gpm/9.5L/min. maximum flow. **TRIM KITS ONLY. VALVE MUST BE ORDERED SEPARATELY.**

Trim Kit	Model # Description	Finishes	Roughing-In Dimensions
<p>COLONY</p>  	<p>T375.120 BATH/SHOWER Trim Kit</p> <ul style="list-style-type: none"> • Wall escutcheon • Lever handle • "Easy Clean" Showerhead • Shower arm and flange • Slip-on Diverter tub spout <p>T375.240 SAME AS ABOVE</p> <ul style="list-style-type: none"> • With Metal lever handle <p>T372.120 SHOWER ONLY Trim Kit</p> <ul style="list-style-type: none"> • Wall escutcheon • Lever handle • "Easy Clean" Showerhead • Shower arm and flange <p>T372.240 SAME AS ABOVE</p> <ul style="list-style-type: none"> • With Metal lever handle <p>T371.120 VALVE ONLY Trim Kit</p> <ul style="list-style-type: none"> • Wall escutcheon • Lever handle <p>T371.240 SAME AS ABOVE</p> <ul style="list-style-type: none"> • With Metal lever handle 	<p>.002 Polished Chrome</p>	
<p>TROPIC</p> 	<p>T038.502 BATH/SHOWER Trim Kit</p> <ul style="list-style-type: none"> • Metal Lever handle • Brass wall escutcheon • Showerhead, arm and flange • Slip-on Diverter tub spout <p>T038.501 SHOWER ONLY Trim Kit</p> <ul style="list-style-type: none"> • Metal Lever handle • Brass wall escutcheon • Showerhead, arm and flange <p>T038.500 SHOWER ONLY Trim Kit</p> <ul style="list-style-type: none"> • Metal Lever handle • Brass wall escutcheon 	<p>.002 Polished Chrome .295 Satin Nickel (PVD)</p> <p>.002 Polished Chrome .295 Satin Nickel (PVD)</p> <p>.002 Polished Chrome .295 Satin Nickel (PVD)</p>	
<p>HAMPTON</p> 	<p>T215.7XX BATH/SHOWER Trim Kit</p> <ul style="list-style-type: none"> • Brass wall escutcheon • Adjustable brass Showerhead • Shower arm and flange • Slip-on diverter tub spout <p>T254.7XX BATH/SHOWER Trim Kit</p> <ul style="list-style-type: none"> • Brass wall escutcheon • Adjustable brass Showerhead • Shower arm and flange • I.P.S. diverter tub spout <p>T212.7XX SHOWER ONLY Trim Kit</p> <ul style="list-style-type: none"> • Brass wall escutcheon • Adjustable brass Showerhead • Shower arm and flange <p>T211.7XX VALVE ONLY Trim Kit</p> <ul style="list-style-type: none"> • Brass wall escutcheon 	<p>Porcelain Cross, Porcelain Lever, Metal Cross Handle Finishes</p> <p>.002 Polished Chrome .099 Polished Brass (PVD) .295 Satin Nickel (PVD)</p> <p>Metal Lever Handle Finishes</p> <p>.002 Polished Chrome .068 Blackened Bronze (PVD) .099 Polished Brass (PVD) .221 Satin (PVD)/Pol. Chrome mix. .295 Satin Nickel (PVD) .297 Satin/Brass (PVD) mix. .299 Pol. Chrome/Brass (PVD) mix.</p>	
<p>HAMPTON HANDLE OPTIONS</p> <div style="display: flex; justify-content: space-around; align-items: center;"> <div style="text-align: center;">  <p>701 Porcelain* Cross</p> </div> <div style="text-align: center;">  <p>710 Porcelain* Lever</p> </div> <div style="text-align: center;">  <p>720 Metal Cross</p> </div> <div style="text-align: center;">  <p>730 Metal Lever</p> </div> </div>			<p>Hampton available with choice of 4 handles. To order: specify the 3 digit handle number. eg: T211.710 = Hampton Valve Only Trim Kit with Porcelain Lever Handle</p>










Trim Kits for R110, R110SS, R115, R115SS, R010, R015, R117, R117SS rough valve bodies. Showerhead with 2.5gpm/9.5L/min. maximum flow. TRIM KITS ONLY. VALVE MUST BE ORDERED SEPARATELY.

Trim Kit	Model # Description	*Finishes	Roughing-In Dimensions
<p>DAZZLE</p>  	<p>T028.502 BATH/SHOWER Trim Kit</p> <ul style="list-style-type: none"> • Metal Lever Handle • Brass wall escutcheon • Showerhead, arm and flange • Slip-on diverter tub spout <p>T028.501 SHOWER ONLY Trim Kit</p> <ul style="list-style-type: none"> • Metal Lever Handle • Brass wall escutcheon • Showerhead, arm and flange <p>T028.500 VALVE ONLY Trim Kit</p> <ul style="list-style-type: none"> • Metal Lever Handle • Brass wall escutcheon 	<p>.002 Polished Chrome .295 Satin Nickel (PVD)</p> <p style="text-align: right;">38mm (1-1/2)</p> <p>.002 Polished Chrome .295 Satin Nickel (PVD)</p> <p>.002 Polished Chrome .295 Satin Nickel (PVD)</p>	
<p>STANDARD</p>  	<p>T6181 BATH/SHOWER Trim Kit</p> <ul style="list-style-type: none"> • Metal wall escutcheon • Porcelain lever handle • 5" adjustable showerhead • Cast brass diverter tub spout with I.P.S. connection <p>T6180 SHOWER ONLY Trim Kit</p> <ul style="list-style-type: none"> • Metal wall escutcheon • Porcelain lever handle • 5" adjustable showerhead <p>T6179 VALVE ONLY Trim Kit</p> <ul style="list-style-type: none"> • Metal wall escutcheon • Porcelain lever handle 	<p>T6181 Polished Chrome T6181S Satin Nickel (PVD)</p> <p>T6180 Polished Chrome T6180S Satin Nickel (PVD)</p> <p>T6179 Polished Chrome T6179S Satin Nickel (PVD)</p>	
<p>ONE</p>  	<p>T064.502 BATH/SHOWER Trim Kit</p> <ul style="list-style-type: none"> • Brass wall escutcheon • Adjustable "3 function" showerhead • Cast brass diverter tub spout • LESS Valve <p>T064.501 SHOWER ONLY Trim Kit</p> <ul style="list-style-type: none"> • Brass wall escutcheon • Adjustable "3 function" showerhead • LESS Valve <p>T064.500 VALVE ONLY Trim Kit</p> <ul style="list-style-type: none"> • Brass wall escutcheon • LESS Valve 	<p>.002 Polished Chrome .295 Satin Nickel (PVD)</p> <p>.002 Polished Chrome .295 Satin Nickel (PVD)</p> <p>.002 Polished Chrome .295 Satin Nickel (PVD)</p>	
<p>TOWN SQUARE</p>  	<p>T555.502 BATH/SHOWER Trim Kit</p> <ul style="list-style-type: none"> • Metal wall escutcheon • Metal lever handle • Cast brass shower arm • 4 1/2" Rain showerhead • Cast brass diverter tub spout with I.P.S. connection <p>T555.501 SHOWER ONLY Trim Kit</p> <ul style="list-style-type: none"> • Metal wall escutcheon • Metal lever handle • Cast brass shower arm • 4 1/2" Rain showerhead <p>T555.500 VALVE ONLY Trim Kit</p> <ul style="list-style-type: none"> • Metal wall escutcheon • Metal lever handle 	<p>.002 Polished Chrome .099 Polished Brass (PVD) .295 Satin Nickel (PVD)</p> <p>.002 Polished Chrome .099 Polished Brass (PVD) .295 Satin Nickel (PVD)</p> <p>.002 Polished Chrome .099 Polished Brass (PVD) .295 Satin Nickel (PVD)</p>	

Trim Kits for R110, R110SS, R115, R115SS, R010, R015, R117, R117SS rough valve bodies. Showerhead with 2.5gpm/9.5L/min. maximum flow. **TRIM KITS ONLY. VALVE MUST BE ORDERED SEPARATELY.**

Trim Kit	Model # Description	*Finishes	Roughing-In Dimensions
 <p>ENFIELD</p>	<p>T373.522 BATH/SHOWER Trim Kit</p> <ul style="list-style-type: none"> • Metal wall escutcheon • Metal cross handle • Cast brass shower arm • 3-1/4" adjustable showerhead • Cast brass diverter tub spout with I.P.S. connection <p>T373.521 SHOWER ONLY Trim Kit</p> <ul style="list-style-type: none"> • Metal wall escutcheon • Metal cross handle • Cast brass shower arm • 3-1/4" adjustable showerhead <p>T373.520 VALVE ONLY Trim Kit</p> <ul style="list-style-type: none"> • Metal wall escutcheon • Metal cross handle 	<p>.002 Polished Chrome .008 Polished Nickel .068 Blackened Bronze (PVD) .099 Polished Brass (PVD) .295 Satin Nickel (PVD)</p>	
 <p>ENFIELD</p>	<p>T373.502 BATH/SHOWER Trim Kit</p> <ul style="list-style-type: none"> • Metal wall escutcheon • Metal lever handle • Cast brass shower arm • 3-1/4" adjustable showerhead • Cast brass diverter tub spout with I.P.S. connection <p>T373.501 SHOWER ONLY Trim Kit</p> <ul style="list-style-type: none"> • Metal wall escutcheon • Metal lever handle • Cast brass shower arm • 3-1/4" adjustable showerhead <p>T373.500 VALVE ONLY Trim Kit</p> <ul style="list-style-type: none"> • Metal wall escutcheon • Metal lever handle 	<p>.002 Polished Chrome .008 Polished Nickel .068 Blackened Bronze (PVD) .099 Polished Brass (PVD) .295 Satin Nickel (PVD)</p>	
 <p>AMARILIS</p>	<p>T335.000 BATH/SHOWER Trim Kit</p> <ul style="list-style-type: none"> • Brass wall escutcheon • "Vario" adjustable showerhead • Cast brass shower arm • Cast brass diverter tub spout • LESS Handle • LESS Valve <p>T332.000 BATH/SHOWER Trim Kit</p> <ul style="list-style-type: none"> • Brass wall escutcheon • "Vario" adjustable showerhead • Cast brass shower arm • LESS Handle • LESS Valve <p>T331.000 BATH/SHOWER Trim Kit</p> <ul style="list-style-type: none"> • Brass wall escutcheon • LESS Handle • LESS Valve 	<p>.002 Polished Chrome .008 Polished Nickel .099 Polished Brass (PVD) .221 Satin (PVD)/Pol. Chrome mix. .295 Satin Nickel (PVD) .297 Satin/Brass (PVD) mix. .299 Pol. Chrome/Brass (PVD) mix.</p>	
 <p>AMARILIS</p>	<p>T345.000 BATH/SHOWER Trim Kit</p> <ul style="list-style-type: none"> • Brass wall escutcheon • Rain showerhead • Cast brass shower arm • Cast brass diverter tub spout • LESS Handle • LESS Valve <p>T342.000 BATH/SHOWER Trim Kit</p> <ul style="list-style-type: none"> • Brass wall escutcheon • Rain showerhead • Cast brass shower arm • LESS Handle • LESS Valve <p>T341.000 BATH/SHOWER Trim Kit</p> <ul style="list-style-type: none"> • Brass wall escutcheon • LESS Handle • LESS Valve 	<p>.002 Polished Chrome .008 Polished Nickel .068 Blackened Bronze (PVD) .099 Polished Brass (PVD) .221 Satin (PVD)/Pol.Chrome mix. .295 Satin Nickel (PVD) .297 Satin/Brass mixage (PVD) .299 Pol. Chrome/Brass (PVD) mix.</p>	

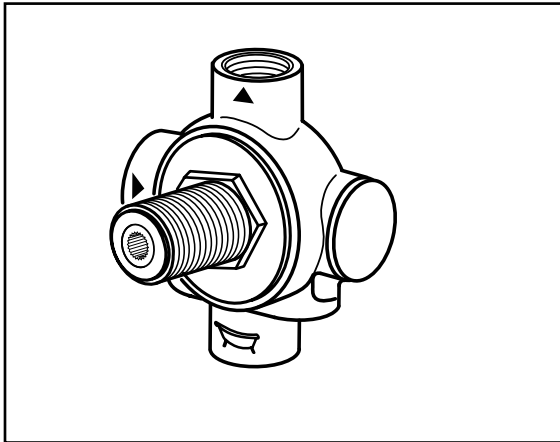
The above fittings will accept the following Amarilis-Series handles.

								
451	441	461	431	551	541	571	901 911	861

*EverClean™ Finish:

- Offered on: Polished Chrome (002), Stainless Steel (075), Polished Brass (099) and Satin Nickel (295) finish. (and any combination of these finishes).
- One wipe effortlessly removes spots.
- Eliminates the need for cleaners and scrubbing.

EverClean Finish is offered on Tropic, One, Town Square, Enfield and Amarilis.



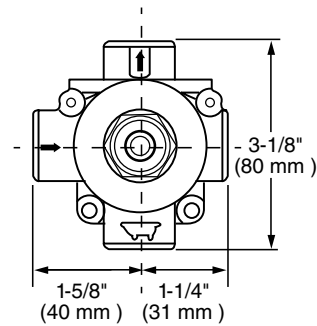
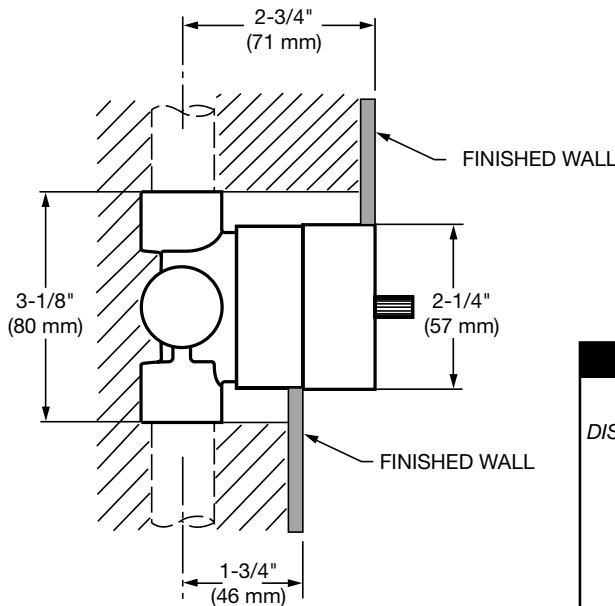
MODEL NUMBER:

❑ **R422 Two-Way In-Wall Diverter Valve Rough (Discrete)**

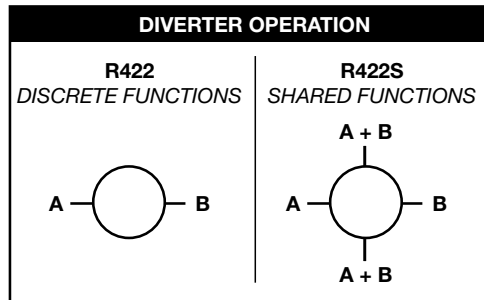
1/2" NPT inlets/outlets. 2 Discrete functions. LESS Handle.

❑ **R422S Two-Way In-Wall Diverter Valve Rough (Shared)**

1/2" NPT inlets/outlets. 2 Discrete/1 Shared functions. LESS Handle.



ALL CONNECTIONS 1/2" NPT



GENERAL DESCRIPTION:

In-Wall Diverter: Rotational control alternates water flow between two different shower outlets (i.e. showerhead, handspray, body side spray or tub spout). Forged brass valve body. Mixed water inlet and two outlets are marked on back of valve body. 1/2" NPT connections on mixed water inlet and two outlets. Stamped brass escutcheon. Tub port with increased water flow (see chart).

NOTE: Cannot be used as a shut-off valve.

PRODUCT FEATURES:

Solid Brass Construction: Durable, ideal material for prolonged contact with water.

Removable Plaster Guard: Permits checking of valve installation prior to installing trim parts.


SUGGESTED SPECIFICATION

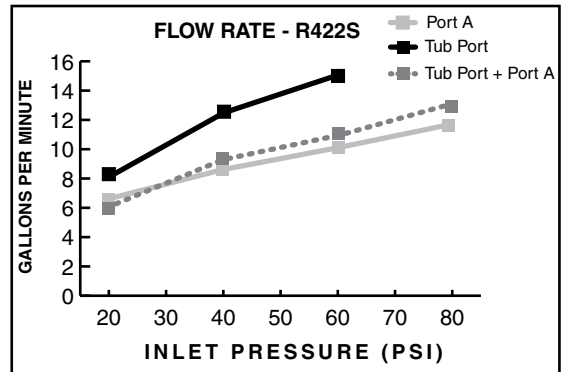
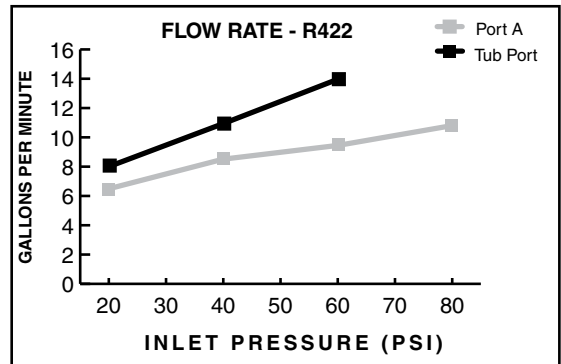
Two way diverter shall feature a forged brass body with 1/2" NPT mixed water inlet and outlets. Fitting shall be American Standard Model # R422_.

CODES AND STANDARDS

These products meet or exceed the following codes and standards:

ASME A112.18.1
CSA B125.1





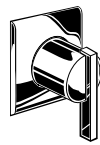
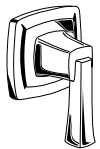













 Meets the American Disabilities Act Guidelines and **ANSI A117.1** Requirements for the physically challenged.



ROUGH VALVE BODIES	Product Number	Description
	R422*	Two-Way In-Wall Diverter. 2 Discrete functions. LESS handle.
	R422S*	Two-Way In-Wall Diverter. 2 Discrete/1 Shared functions. LESS handle.

*Rough and Trim must be ordered separately.

R422 and R422S will accept the following handles:

AVAILABLE TRIM KITS	Town Square®	Serin®	Green Tea®	Moments®	Times Square®	Townsend®
						
	T555.430 	T064.430 	T010.430 	T506.430 	T184.430 	T353.430 
	Berwick®	Berwick®	Portsmouth®	Portsmouth®	Quentin®	
						
T430.430 	T430.432	T420.430 	T420.432	T440.430 