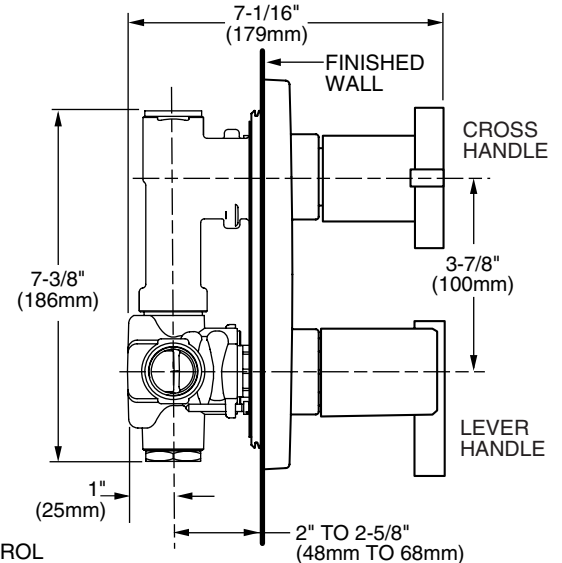


NOTE: FITTING
MUST BE INSTALLED
WITH VOLUME CONTROL
ON TOP.



MODEL NUMBER:

TRIM KITS:

- ❑ **T430.740 Berwick Two-Handle Thermostat Trim Kit**
With separate volume control. LESS Valve.

ROUGH VALVES:

- ❑ **R520 Rough Valve Body only**
1/2" NPT inlets/outlets. With separate volume control.
LESS Trim.
- ❑ **R540 Rough Valve Body only**
3/4" NPT inlets/outlets. With separate volume control.
LESS Trim.

NOTE:

- When used as a Bath/Shower:
EITHER
- a separate diverter valve (such as R420 or R430)
OR
- a diverter tub spout (requires twin ell - Model #8888.120)
IS REQUIRED

GENERAL DESCRIPTION:

Cast brass valve body. The single unit contains two handles, the bottom lever handle sets the desired temperature and the top lever handle functions as an on/off, volume control. The temperature is maintained by a wax element moving a shuttle valve between hot and cold. The volume is controlled by twin ceramic disc valve cartridges. Ceratherm includes Hot Limit Safety Stop. Maximum temperature limit is 112°F. Escutcheon plate is stamped brass. Available with 1/2" or 3/4" NPT inlets and outlets. The valve has a high flow rate, ideal for multiple outlet installations.

PRODUCT FEATURES:

Brass Casting: Highest quality faucet material for durability & long life.

Wax Thermostatic Unit: Permits shuttle valve to move between the hot and cold seat to maintain the pre-selected constant water temperature.

Back to Back Capable: Hot and cold can be reversed.

Spring-Loaded Check Valves: When the hot and cold water enters the fitting, both supplies pass through the spring-loaded check valves to prevent cross flow of hot and cold water.

Integrated Stop Valves: Ensure easy cleaning and servicing.

Adjustable Hot Limit Safety Stop: Limits the amount of hot water allowed to mix with cold. Reduces the risk of accidental scalding. Maximum water temperature limit may be reduced to 104 or 109 degrees Fahrenheit.

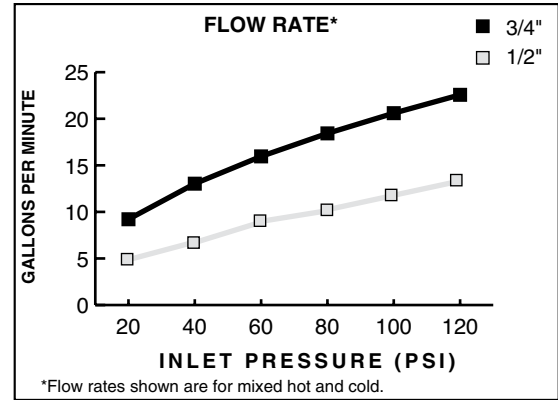
SUGGESTED SPECIFICATION:

Two handle Thermostat shall feature a cast brass valve body. Thermostat shall be a wax element shuttle valve. Shall also feature ceramic disc valving, 1/2" NPT or 3/4" NPT inlets and outlets. Fitting shall be American Standard Model # T430.740.____ (Trim Kit) and R520 or R540 (Rough Valve).

CODES AND STANDARDS

These products meet or exceed the following codes and standards:

- ASSE 1016
- ASME A112.18.1
- CSA B125.1



TRIM KITS**	Product Number	Description	Finish Options	
			Polished Chrome	PVD Satin Nickel
			002	295
	T430.740*	Two-handle Thermostat Trim Kit with separate volume control.		

ROUGH VALVE BODIES	Product Number	Description		
			R520	Rough Valve Body less trim - 1/2" NPT Inlets/Outlets
			R540	Rough Valve Body less trim - 3/4" NPT Inlets/Outlets

***NOTE:** When used as a Bath/Shower a separate diverter valve is required (such as R420 or R430).
Requires twin ell (Model #8888.120 - must be ordered separately) for use with diverter spouts.

**** ROUGH & TRIM MUST BE ORDERED SEPARATELY.**

American Standard

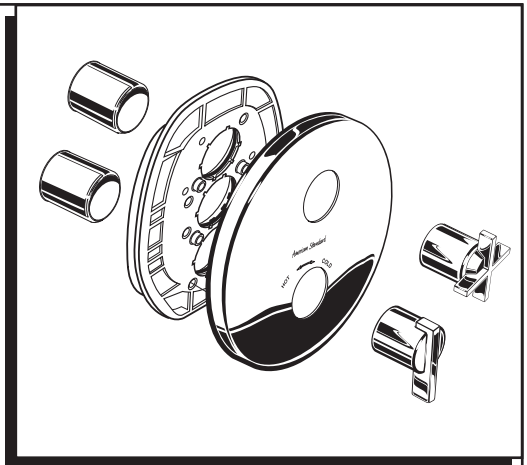
Installation Instructions T430.740

BERWICK™

CENTRAL THERMOSTAT WITH VOLUME CONTROL TRIM KIT

Thank you for selecting American-Standard...the benchmark of fine quality for over 100 years.

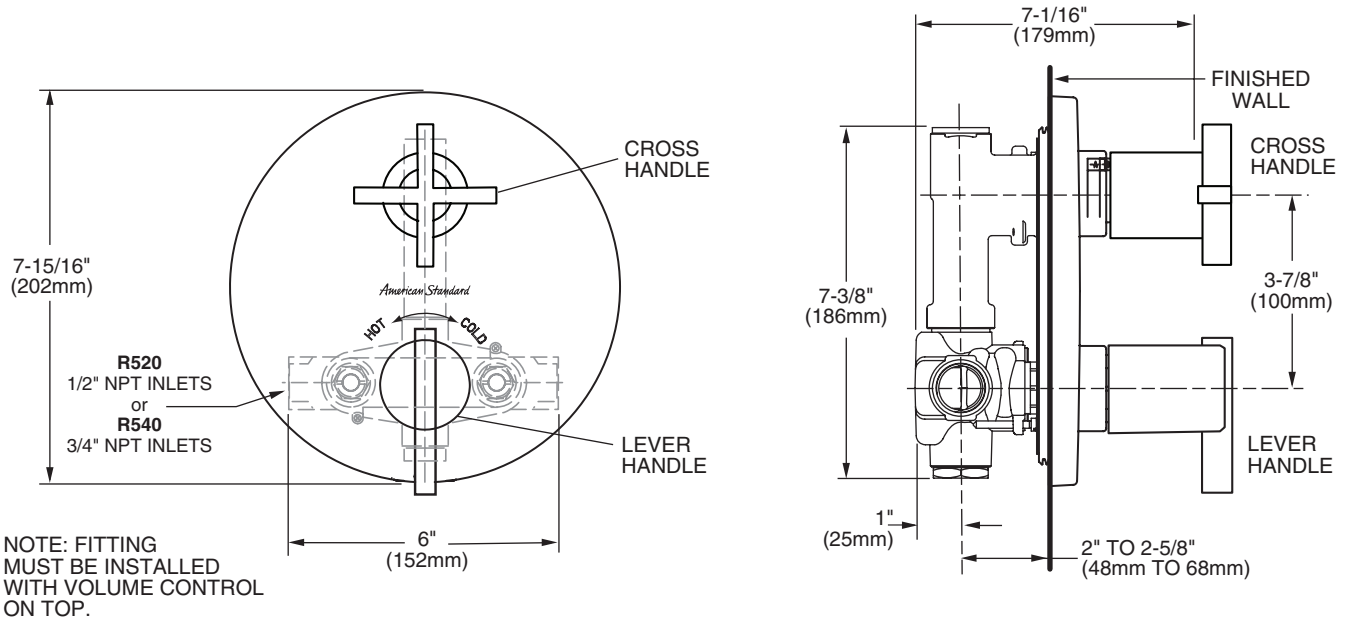
To ensure that your installation proceeds smoothly—please read these instructions carefully before you begin.



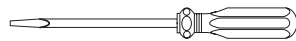
Certified to comply with ANSI A112.18.1M
ASSE 1016

M965003

ROUGHING-IN DIMENSIONS



Recommended Tools



Flat Blade Screwdriver



Phillips Screwdriver

CARE INSTRUCTIONS:

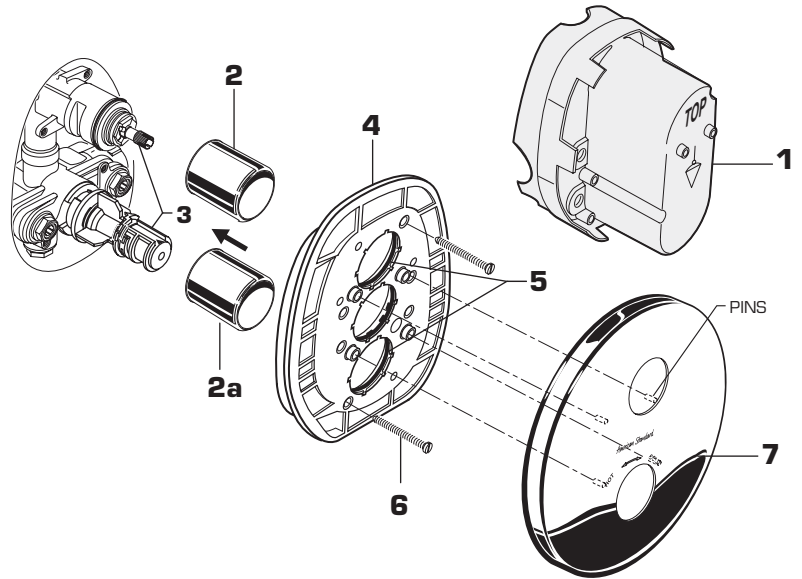
- To keep your new faucet looking new, please follow these simple care instructions:
 - DO:**
 - Simply rinse the faucet clean with clear water.
 - Dry the faucet with a soft cotton cloth.
 - DO NOT:**
 - Do not use any abrasive cleaners, cloths, or paper towels.
 - Do not use any cleaning agents containing acids, polish abrasives, or harsh cleaners or soaps.
- Regular and routine cleaning will reduce the need for heavy cleaning and polishing. If heavy cleaning is required, the following procedures are recommended:

- Remove as much surface dirt and film using clear water and soft cotton cloth **(as described above)**.
 - Use any of the following to remove tough surface film and build-up:
 - Mild liquid detergents
 - Clear ammonia free liquid glass cleaners
 - Non-acidic, non-abrasive gentle liquid or fully dissolved powder cleansers mixed according to manufacturers directions.
 - Non-abrasive liquid polishers
- Once clean, rinse faucet again with clear water to thoroughly remove cleaner or polish and blot dry with a soft cotton cloth.

Failure to follow these care instructions may damage the Faucet's finish.

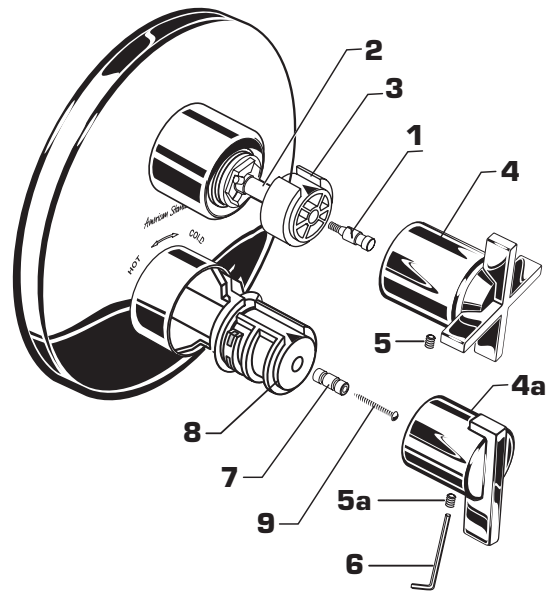
1 TRIM INSTALLATION

- Remove PLASTER GUARD **(1)** if attached.
- Push CAPS **(2 & 2a)** as shown onto CONTROL VALVES **(3)**.
- Push ESCUTCHEON HOLDER **(4)** with lightly greased O-RING SEALS **(5)** over CAPS **(2, 2a)**. Attach with the two SCREWS **(6)** provided.
- Align pins in back of ESCUTCHEON **(7)** with holes in ESCUTCHEON HOLDER **(4)** and push ESCUTCHEON **(7)** into place.



2 INSTALL HANDLES

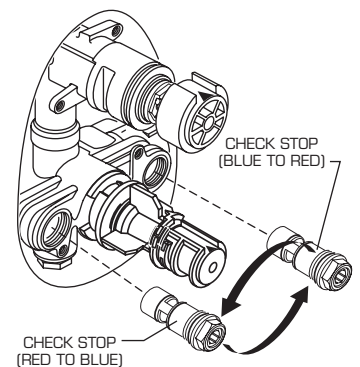
- Thread HANDLE SCREW **(1)** into VALVE STEM **(2)** and tighten to secure KNOB MOUNT **(3)**.
- Align HANDLE **(4)** and push onto KNOB MOUNT **(3)**.
- Tighten SET SCREW **(5)** in handle with HEX WRENCH **(6)** SUPPLIED.
- Install HANDLE ADAPTER **(7)** onto TEMPERATURE CONTROL KNOB **(8)** and tighten with SCREW **(9)**.
- Align HANDLE **(4a)** and push onto TEMPERATURE CONTROL KNOB **(8)**.
- Tighten SET SCREW **(5a)** in handle with HEX WRENCH **(6)** SUPPLIED.



3 TRANSPOSED SUPPLY PIPING OR BACK TO BACK INSTALLATION

Should the hot and cold water supply pipes have been transposed making adjustment impossible, proceed as follows:

- Shut off water supply.
 - Remove handle and rim. **(Reverse steps 1 and 2).**
 - Remove check stops and re-install them transposed.
- Important note: RED CHECK STOP is now on the right of the mixer body and the BLUE CHECK STOP is now on the left.
- Turn the water supply back on and perform the temperature adjustment in step 4.
- Assemble HANDLES and TRIM.

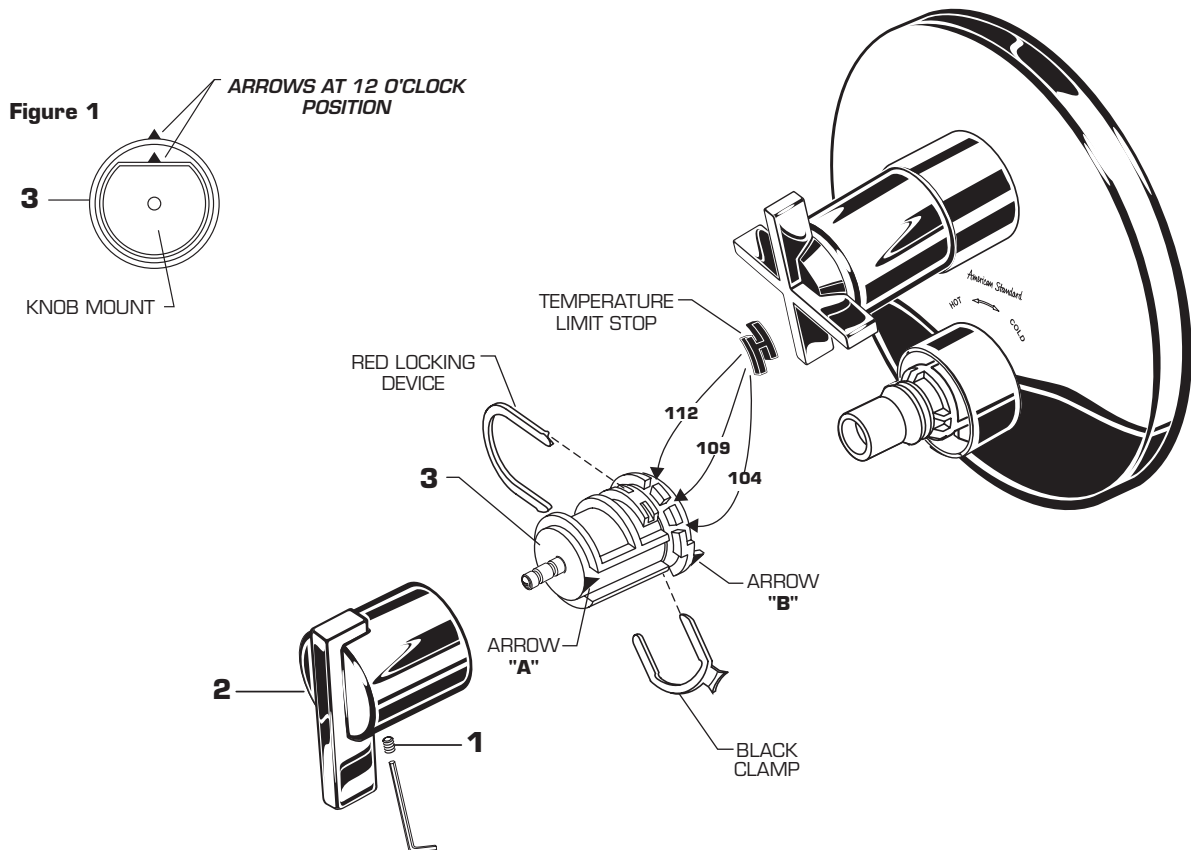


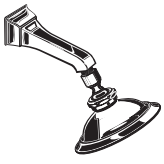


4 TEMPERATURE ADJUSTMENT

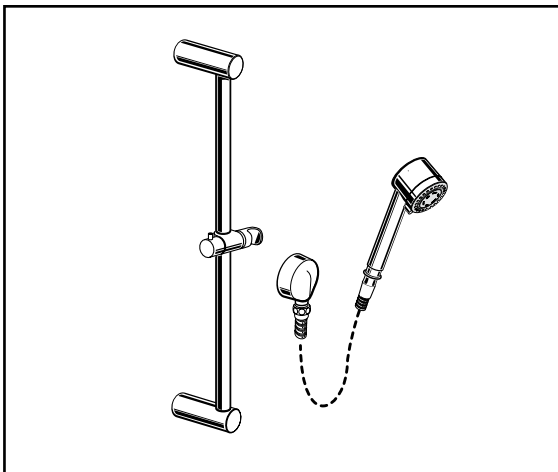
- Loosen SET SCREW (1). Pull off HANDLE ASSEMBLY (2).
- Check that arrow marking B points to the 12 o'clock position. If not, push the BLACK CLAMP on the SECURING RING to the right, pull off KNOB MOUNT (3) and reinstall KNOB MOUNT (3) with arrow "B" 12 o'clock position. **See Figure 1.**

SET HOT LIMIT STOP

- The maximum mixed water temperature is set at 109°F at the factory. This setting can be changed if desired.
- Remove the TEMPERATURE LIMIT STOP (H shaped Black Plastic part). Reinstall it at the desired notch as indicated in the diagram to limit the maximum mixed water temperature to 104°F or 112°F.
- For 100 F adjustment, turn the water supply on. Turn KNOB MOUNT (3) until the spout temperature is 100°F. Check that arrow "A" on the KNOB MOUNT (3) still points 12 o'clock position after adjusting the thermostat to 100°F. If not, pull out the RED LOCKING DEVICE. Remove KNOB MOUNT (3) by pulling it towards you while standing directly in front of the valve.
- Reinstall the KNOB MOUNT (3) with arrow "A" 12 o'clock position.
- Reinstall RED LOCKING DEVICE.
- See **Step 2** for HANDLE (2) installation.



Model #	Description	Finishes	Roughing-In Dimensions
8888.077 	TOWN SQUARE SHOWERHEAD <ul style="list-style-type: none"> • Cast Brass Shower Arm • 4-7/8" diameter Easy Clean showerhead. • 2.5gpm/9.5L/min. flow restrictor 	.002 Polished Chrome .068 Blackened Bronze (PVD) .295 Satin Nickel (PVD)	
1660.802 	"RAIN" SHOWERHEAD & ARM <ul style="list-style-type: none"> • Cast Brass Shower Arm • 4-1/2" diameter Easy clean showerhead • 2.5gpm/9.5L/min. flow restrictor 	.002 Polished Chrome .068 Blackened Bronze (PVD) .099 Polished Brass (PVD) .295 Satin Nickel (PVD)	
1660.822 	"RAIN" SHOWERHEAD ONLY <ul style="list-style-type: none"> • 4-1/2" diameter Easy clean showerhead ONLY • 2.5gpm/9.5L/min. flow restrictor 		
1660.660 	6" RAIN SHOWERHEAD <ul style="list-style-type: none"> • Easy clean showerhead • Brass construction • 2.5gpm/9.5L/min. flow restrictor 	.002 Polished Chrome .068 Blackened Bronze (PVD) .099 Polished Brass (PVD) .295 Satin Nickel (PVD)	
1660.680 	8" RAIN SHOWERHEAD <ul style="list-style-type: none"> • Easy clean showerhead • Brass construction • 2.5gpm/9.5L/min. flow restrictor 	.002 Polished Chrome .068 Blackened Bronze (PVD) .099 Polished Brass (PVD) .295 Satin Nickel (PVD)	
1660.610 	10" RAIN SHOWERHEAD <ul style="list-style-type: none"> • Easy clean showerhead • Brass construction • 2.5gpm/9.5L/min. flow restrictor 	.002 Polished Chrome .068 Blackened Bronze (PVD) .099 Polished Brass (PVD) .295 Satin Nickel (PVD)	
1660.683 	10" MODERN RAIN SHOWERHEAD <ul style="list-style-type: none"> • Easy clean showerhead • Slick, thin profile • Brass construction • 2.5gpm/9.5L/min. flow restrictor 	.002 Polished Chrome .068 Blackened Bronze (PVD) .075 Stainless Steel (PVD) .099 Polished Brass (PVD) .295 Satin Nickel (PVD)	

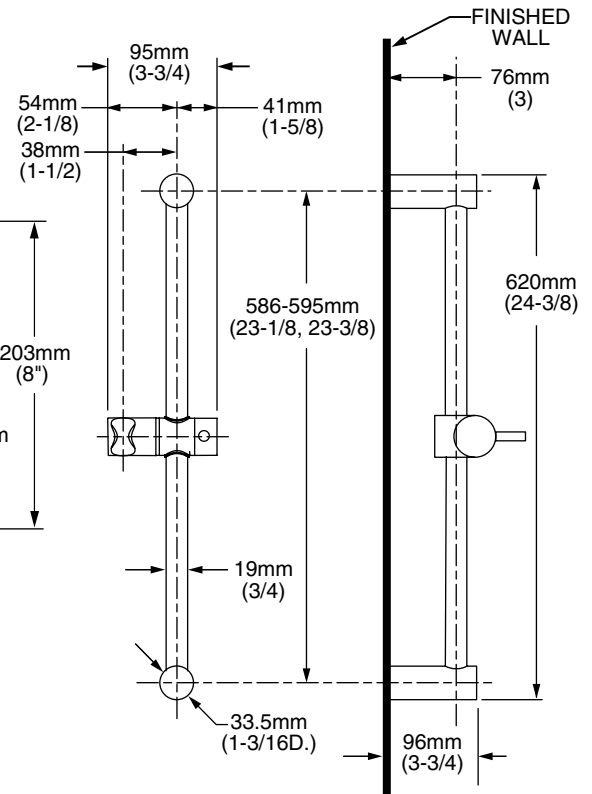
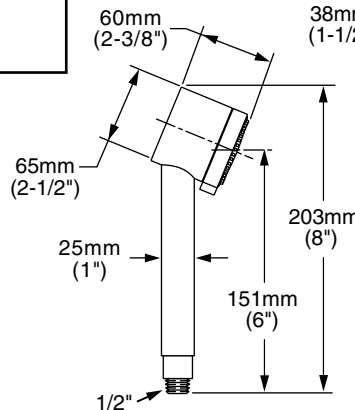
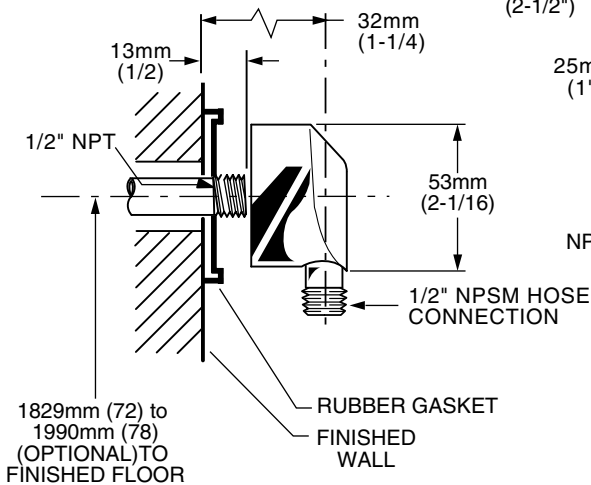


MODEL NUMBER:

2064.724 Shower System Kit

Includes:

- 3 Function Adjustable Hand Shower
- Hose
- Wall Supply
- Slide Bar



GENERAL DESCRIPTION:

Complete shower system kit includes: a wall supply with 1/2" NPT female inlet, 1/2" NPSM male outlet; a 59" (1500mm) shower hose; a hand shower; and a 24" all metal slide bar. Personal shower with 2.5 gpm/9.5L/min. flow restrictor. Adjustable shower holder can be set at any height or position along the bar and angle up to 45°.

PRODUCT FEATURES:

HAND SHOWER

Lightweight, Ergonomic Design: For a sure grip even with wet, soapy hands.

Simple Spray Pattern Adjustment: Spray patterns can be changed with a flick of the thumb.

Variety of Spray Patterns: Allows the user to select the type of spray best suited to their needs.

SLIDE BAR

Simple Height Adjustment: Allows positioning of the personal shower anywhere along the bar.

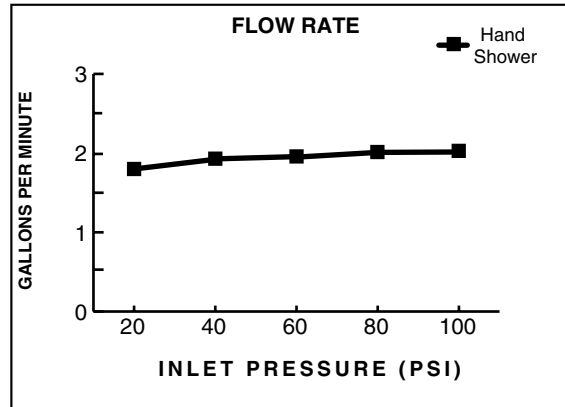
SUGGESTED SPECIFICATION:

Shower system shall feature a wall supply with 1/2" NPT female inlets, 1/2" NPSM male outlet, 59" hose, hand shower and a 620mm (24") all metal slide bar. Hand shower shall be ergonomically designed for a positive grip even when wet. Spray pattern adjustment shall be performed with simple movement of thumb without need to change grip on handle. Fitting shall be American Standard Model # 2064.724._____.

CODES AND STANDARDS

Install as required to comply with local code requirements.

ASME A112.18.1
CSA 125



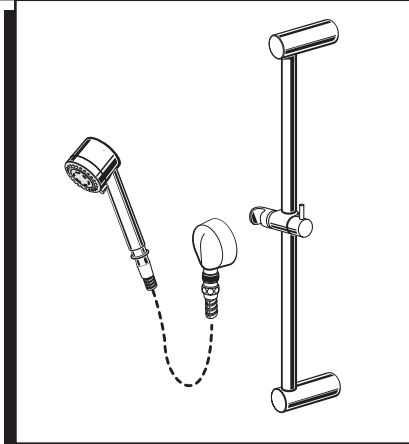
Product Number	Description	Finish Options		
		Polished Chrome	PVD Satin Nickel	PVD Stainless Steel
2064.724	Shower System Kit. Contains hand shower, hose, wall supply and slide bar.	002	295	075

SERIN™ SHOWER SYSTEM

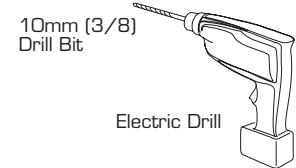
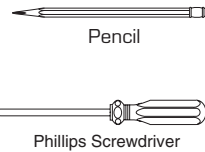
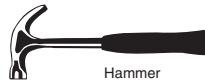
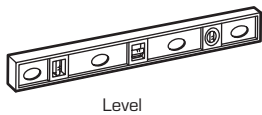
Thank you for selecting American-Standard...the benchmark of fine quality for over 100 years.

To ensure that your installation proceeds smoothly—please read these instructions carefully before you begin.

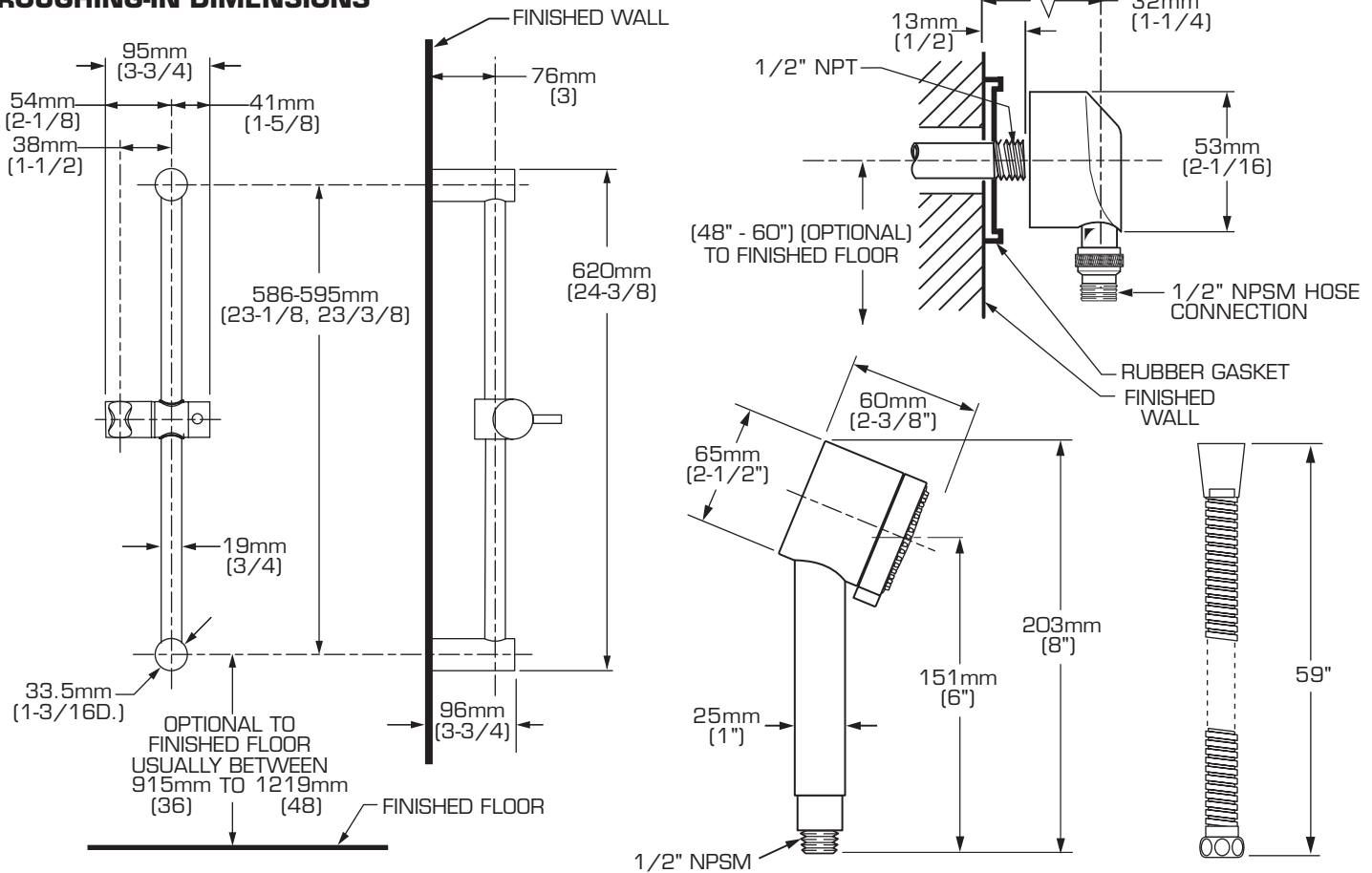
Certified to comply with ANSI A112.18.1
M968927 Rev.1.3



Recommended Tools & Materials



ROUGHING-IN DIMENSIONS

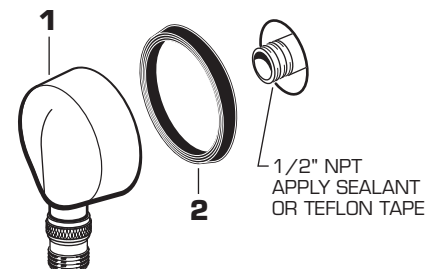


1 INSTALL WALL SUPPLY

CAUTION

Turn off hot and cold water supplies before beginning.

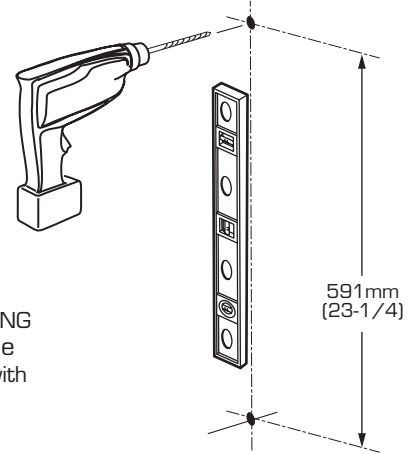
- Supply to WALL SUPPLY (1) is 1/2" NPT. See rough-in above for detailed information.
- Install RUBBER SEAL (2) onto WALL SUPPLY (1).
- Apply sealant or teflon tape to threads of 1/2" NPT supply nipple. Thread WALL SUPPLY (1) onto supply nipple making a water tight seal. WALL SUPPLY (1) with RUBBER SEAL (2) should be tight against finished wall.



2

INSTALL WALL BRACKETS

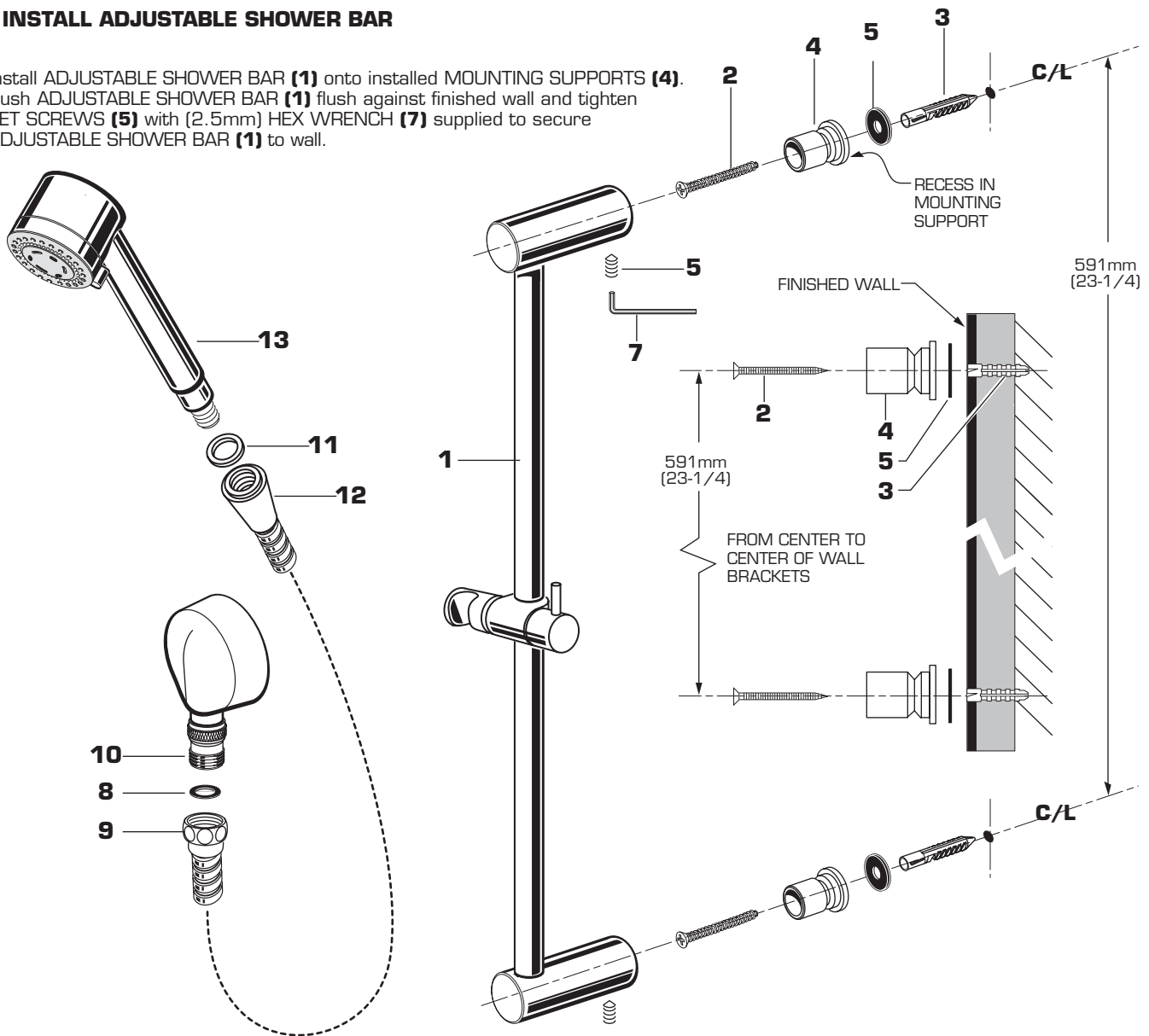
- The ADJUSTABLE SHOWER BAR (1) works best if secured to a wall stud or cross brace within the wall, using the SCREWS (2) supplied.
- If the ADJUSTABLE SHOWER BAR (1) is to be installed on a tile the ANCHORS (3) and SCREWS (2) should be used.
- Determine desired height and location (optional) and mark a center line. If MOUNTING SUPPORT (4) is secured to a stud or cross brace drill small pilot holes for SCREWS (2). IMPORTANT: Make sure that vertical center line is level.
- *For installations on tiled walls:* Use ANCHORS (3) and SCREWS (2) for securing MOUNTING SUPPORT (4) to finished wall. The diameter and depth of the mounting hole should be 10mm (3/8") dia. and 50mm (2") deep. Insert the the ANCHORS (3) and tap them with hammer until flush with face of finished wall.
- Install RUBBER WASHER (5) in recess of MOUNTING SUPPORT (4). Secure MOUNTING SUPPORT (4) to wall with SCREWS (2).



3

INSTALL ADJUSTABLE SHOWER BAR

- Install ADJUSTABLE SHOWER BAR (1) onto installed MOUNTING SUPPORTS (4). Push ADJUSTABLE SHOWER BAR (1) flush against finished wall and tighten SET SCREWS (5) with (2.5mm) HEX WRENCH (7) supplied to secure ADJUSTABLE SHOWER BAR (1) to wall.



4

INSTALL HOSE AND HAND SHOWER

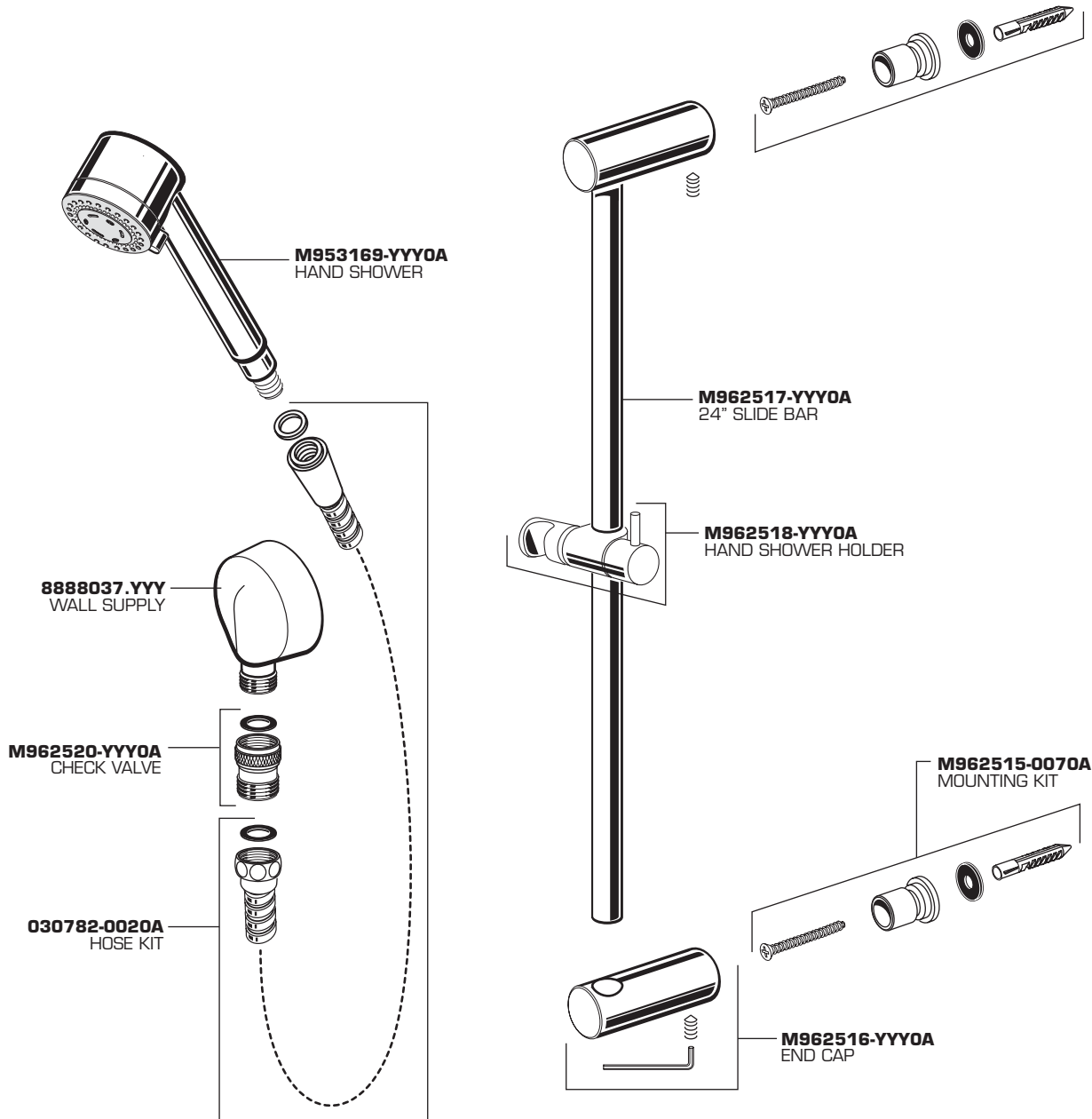
- Install SEAL (8) into COUPLING NUT (9). Connect COUPLING NUT (9) to WALL SUPPLY NIPPLE (10) and tighten.
- INSTALL second SEAL (11) into SPRAY HOSE END (12) and connect HAND SHOWER (13) to SPRAY HOSE END (12). Hand tighten.

American Standard

**SERIN™
SHOWER BAR**

MODEL NUMBER

2064.724



Replace the "YYY" with appropriate finish code

CHROME	002
STAINLESS STEEL	075
SATIN NICKEL	295



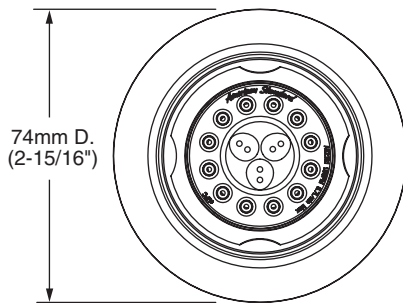
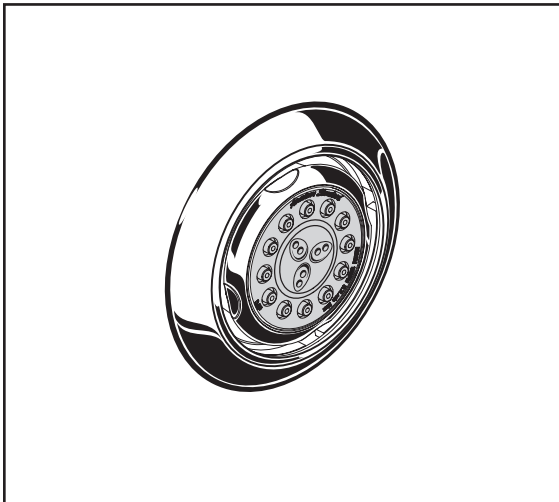
HOT LINE FOR HELP
For toll-free information and answers to your questions, call:
1-800-442-1902
Weekdays 8:00 a.m. to 6:00 p.m. EST
IN MEXICO 01-800-839-12-00
IN CANADA 1-800-387-0369 (TORONTO 1-905-306-1093)
Weekdays 8:00 a.m. to 7:00 p.m. EST

Product names listed herein are trademarks of American Standard Inc.
© American Standard Inc. 2006

CARE INSTRUCTIONS:

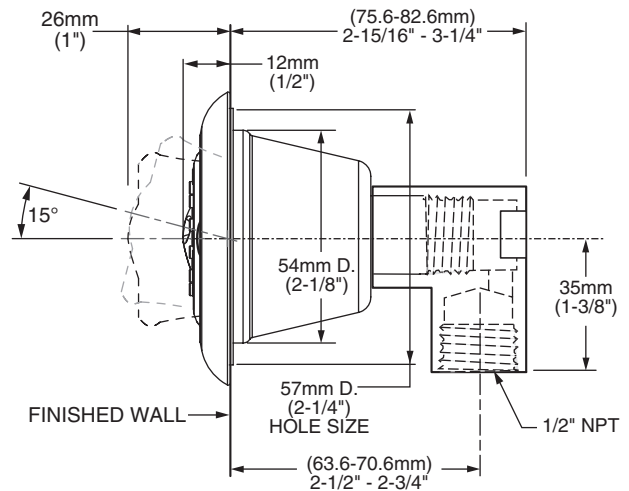
DO: SIMPLY RINSE THE PRODUCT CLEAN WITH CLEAR WATER. DRY WITH A SOFT COTTON FLANNEL CLOTH.

DO NOT: DO NOT CLEAN THE PRODUCT WITH SOAPS, ACID, POLISH, ABRASIVES, HARSH CLEANERS, OR A CLOTH WITH A COARSE SURFACE.



MODEL NUMBER:

- ☐ **1660.130 Multifunction Round Body Spray**
Flush Mount. 1/2" NPT Male Connection



GENERAL DESCRIPTION:

Flush mount body spray. Swivel spray with adjustable spray pattern automatically extends when water is turned on and auto retracts when water is turned off. Spray pattern adjusts from full spray to combination to massage. Spray position adjusts up to 15° in any direction. Easy clean spray nozzles. Brass escutcheon. Fits wall cavity using standard 2" x 4" studs. Installs as one piece. Plaster guard serves as a rough-in guide and pipe plug. 1.5gpm/5.7L/min. maximum flow rate.

PRODUCT FEATURES:

- Flush Mount:** Clean look.
- Adjustable Spray Pattern:** 3 spray options to customize shower experience to personal taste.
- Simple Spray Adjustment:** Spray position adjusts up to 15° in any direction.
- One Piece Installation:** No loose parts to lose or reassemble on site.
- Easy Clean Spray Nozzles:** Easily clean lime and calcium buildup.

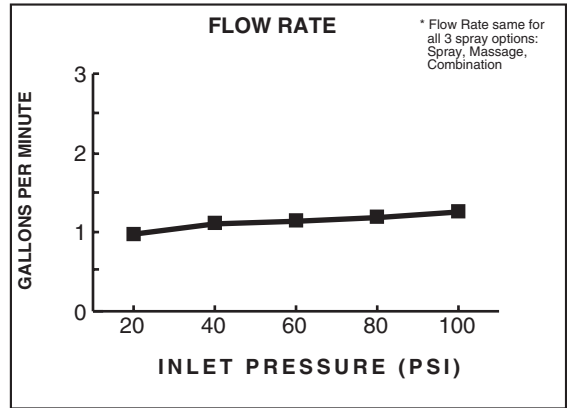
SUGGESTED SPECIFICATION:

Body Spray shall be flush mount to wall projecting no more than 1/2" when not in use. Body spray shall have at least 3 spray patterns. Features an automatic swivel spray that extends when water is turned on and retracts when water is turned off. Fitting shall be American Standard Model # 1660.130._____.

CODES AND STANDARDS

Install as required to comply with local code requirements.

ASME A112.18.1
CSA 125



Product Number	Description	Finish Options			
		Polished Chrome	PVD Blackened Bronze	PVD Stainless Steel	PVD Satin Nickel
		002	068	075	295
1660.130	Extender Multifunction Round Body Spray.				

American Standard

Installation Instructions

**LUXURY SHOWER
EXTENDER BODY SPRAYS**

**1660.130
1660.140**



1660.130



1660.140

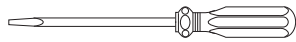
Thank you for selecting American-Standard...the benchmark of fine quality for over 100 years.

To ensure that your installation proceeds smoothly—please read these instructions carefully before you begin.

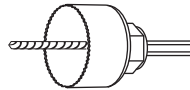
Certified to comply with ANSI A112.18.1

M968617 Rev.1.2

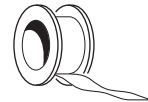
Recommended Tools



Flat Blade Screwdriver



2-1/4" DIA.
(57mm) Hole Saw



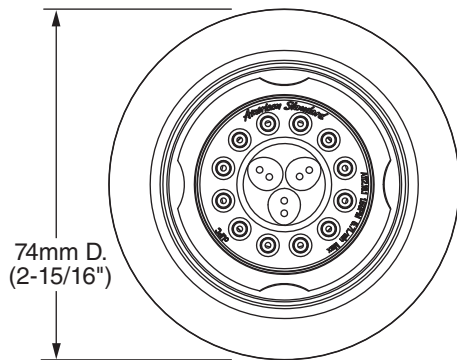
Teflon Tape



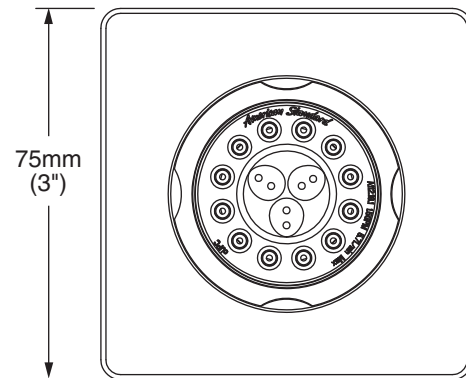
Electric Drill

ROUGHING-IN DIMENSIONS

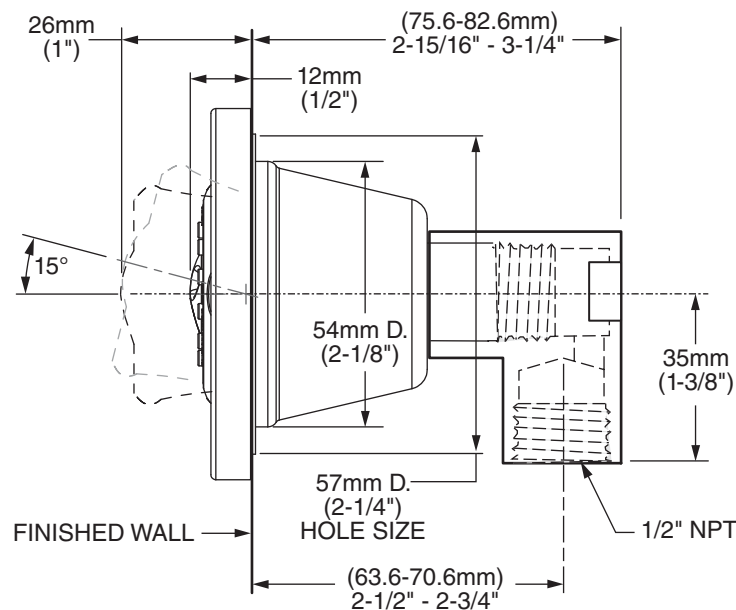
ALL CONNECTIONS 1/2" NPT



**1660.130 Multifunction
Round Body Spray**



**1660.140 Multifunction
Square Body Spray**

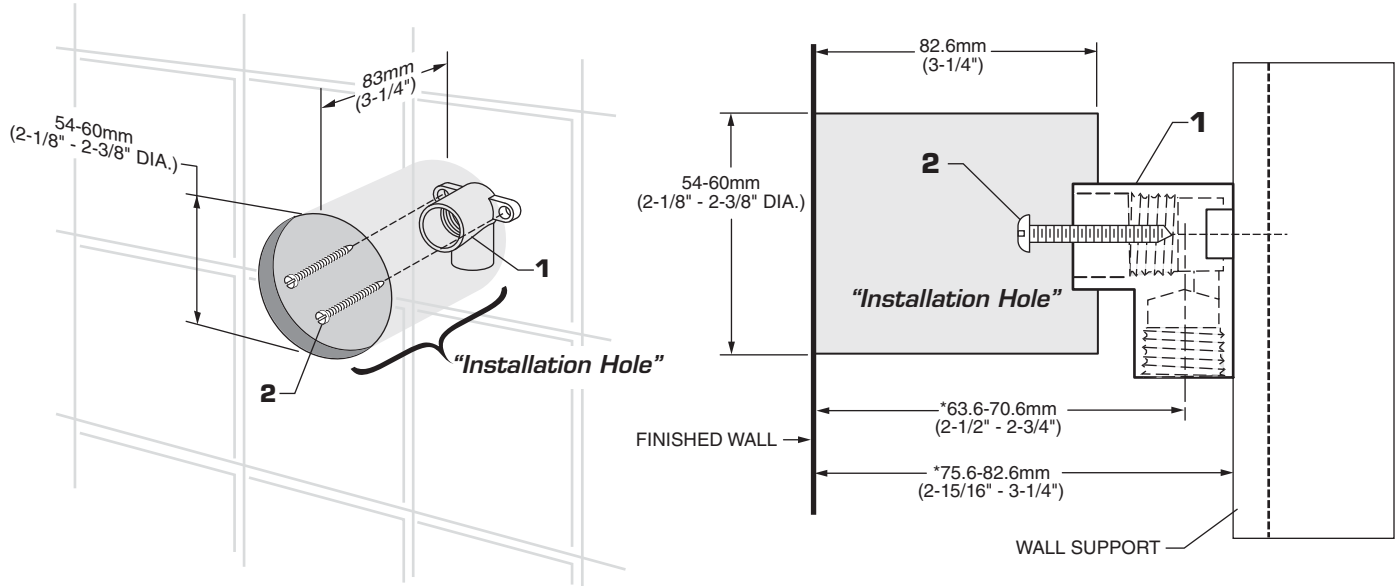


1

INSTALL SUPPLY PIPING

CAUTION Turn off hot and cold water supplies before beginning.

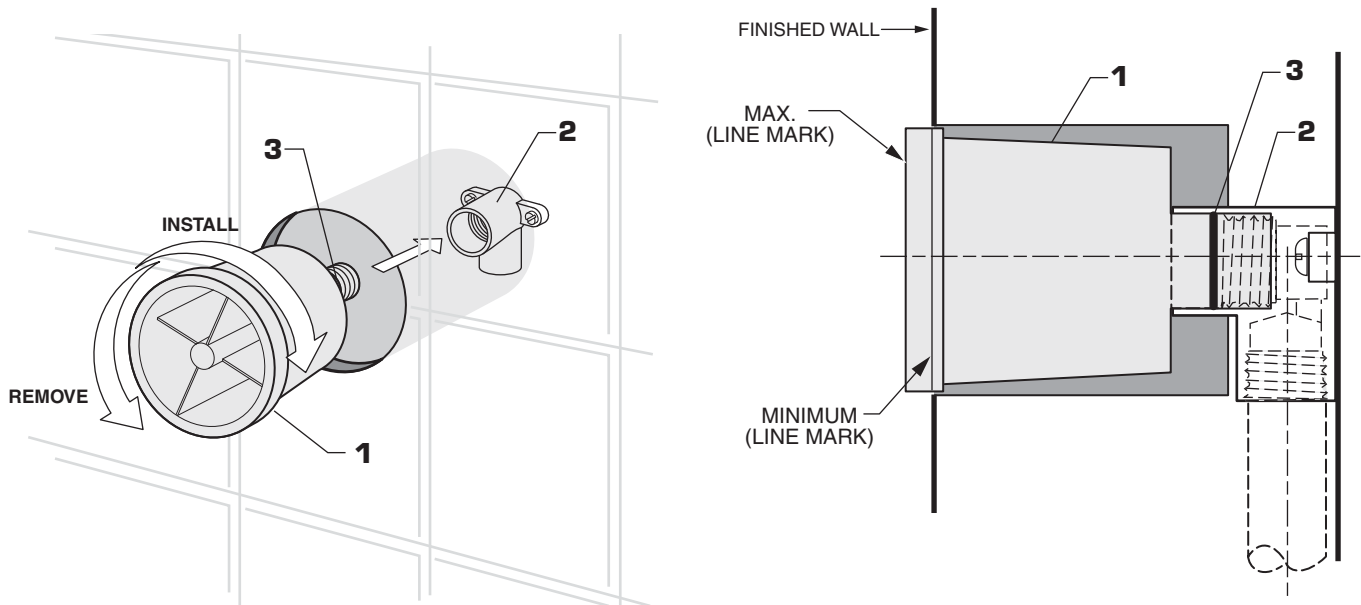
- Provide a "Installation Hole" 2-1/8" - 2-3/8" DIA., (54-60mm) and 3-1/4", (83mm) deep. **Note:** The "Installation Hole" must be clear to allow body spray clearance.
- Install the ELBOW (1) on a support within the wall at the *dimension shown. Secure with two M5 SCREWS (2) (not provided).



2

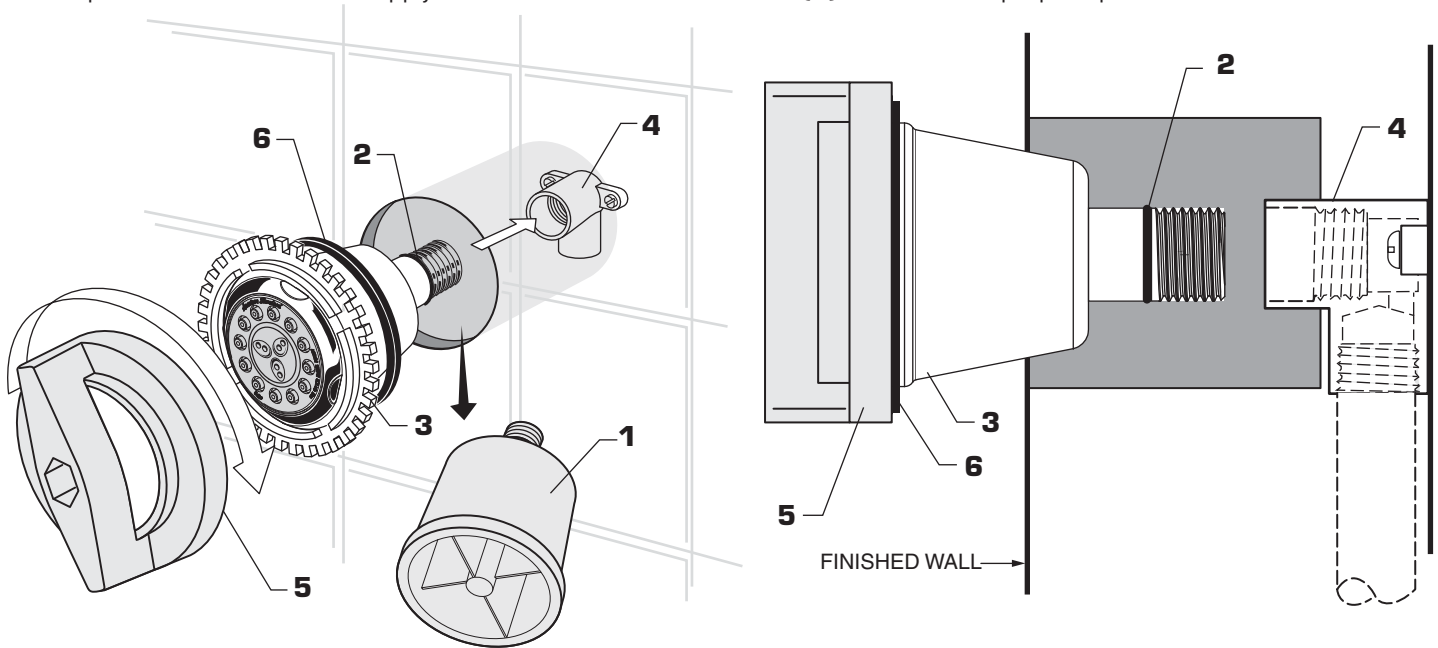
INSTALL PLASTER GUARD

- Make sure the O-RING (3) is installed on the PLASTER GUARD (1).
- Install the PLASTER GUARD (1) into ELBOW (2). **Note:** The finished wall must be between the Min. & Max. lines on the PLASTER GUARD (1).
- Complete all tiling and wall work. When walls are finished remove PLASTER GUARD (1).



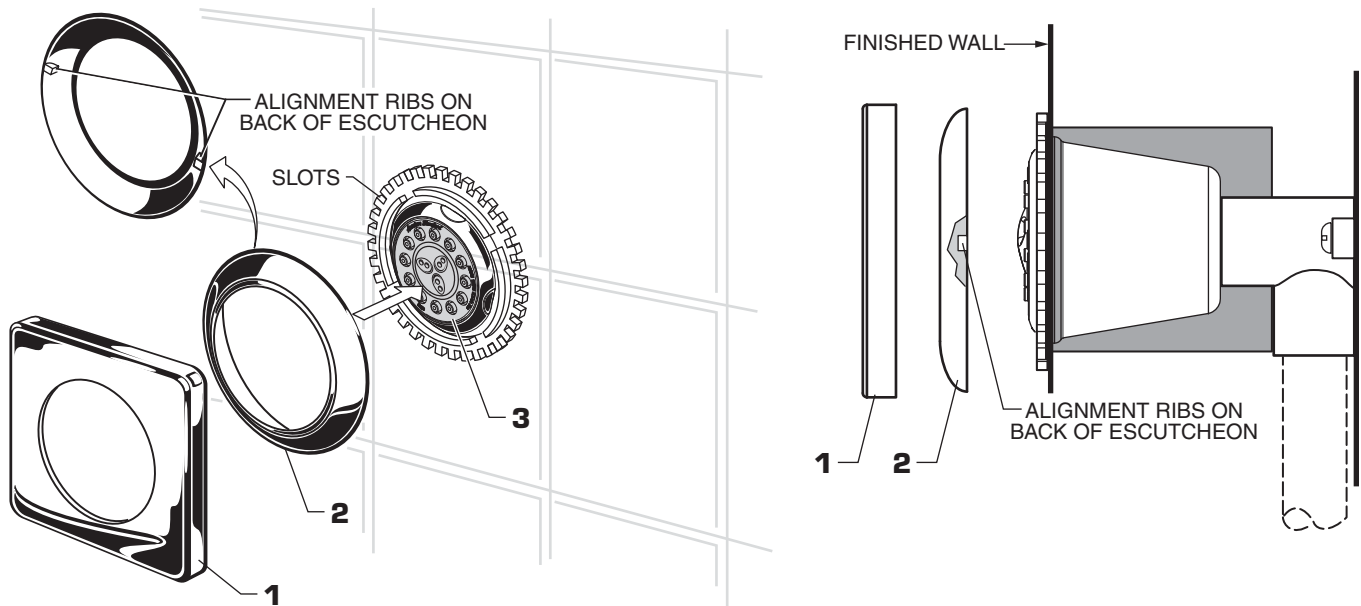
3 INSTALL BODY SPRAY

- Remove the PLASTER GUARD (1) if not already removed.
- Make sure the O-RING (2) and FLANGE GASKET (6) are installed on the BODY SPRAY (3). Thread BODY SPRAY (3) into the ELBOW (4).
- Tighten BODY SPRAY (3) using WRENCH (5) supplied until flush against finished wall and FLANGE GASKET (6) is compressed. Turn on water supply and test installed BODY SPRAY (3) for leaks and proper operation.



4 INSTALL ESCUTCHEON

- Align ribs on back of ESCUTCHEON (1, 2), with slots in BODY SPRAY (3). Push ESCUTCHEON (1, 2) against BODY SPRAY (3) until ESCUTCHEON (1, 2) snaps into place.
- Turn on water supply and test installed BODY SPRAY (3) for leaks and proper operation.



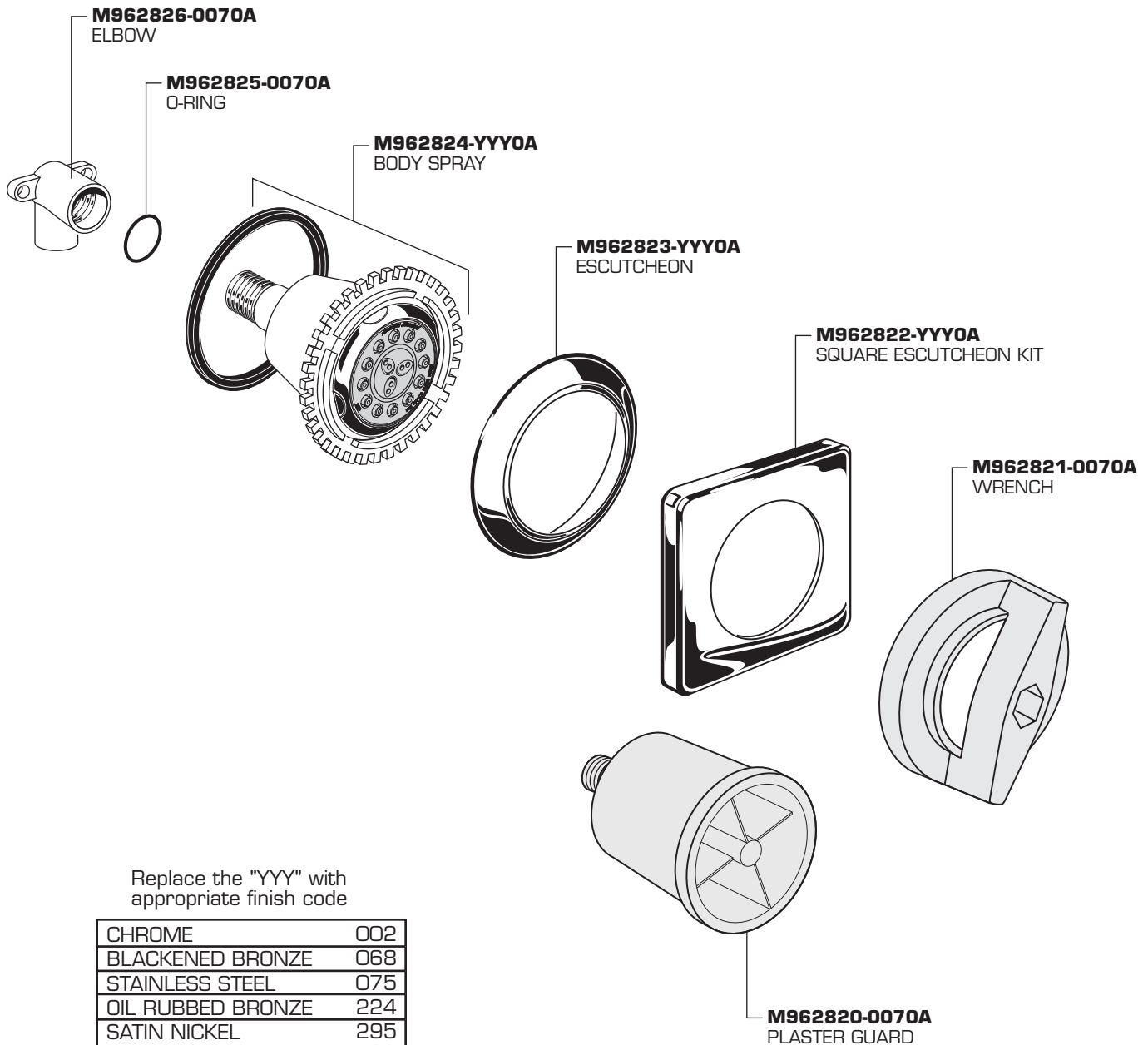
5 CARE:

- DO: SIMPLY RINSE THE PRODUCT CLEAN WITH CLEAR WATER. DRY WITH A SOFT COTTON FLANNEL CLOTH.**
- DO NOT: DO NOT CLEAN THE PRODUCT WITH SOAPS, ACID, POLISH, ABRASIVES, HARSH CLEANERS, OR A CLOTH WITH A COARSE SURFACE.**

**LUXURY SHOWER
EXTENDER BODY SPRAYS**

MODEL NUMBERS

**1660.130
1660.140**



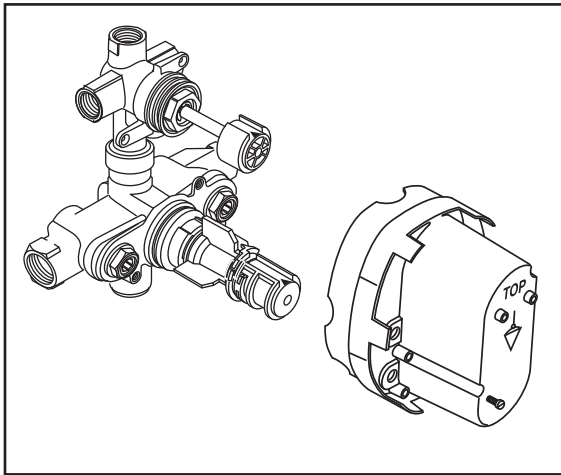
Replace the "YYY" with appropriate finish code

CHROME	002
BLACKENED BRONZE	068
STAINLESS STEEL	075
OIL RUBBED BRONZE	224
SATIN NICKEL	295



HOT LINE FOR HELP

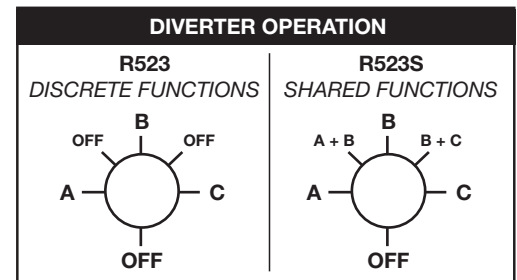
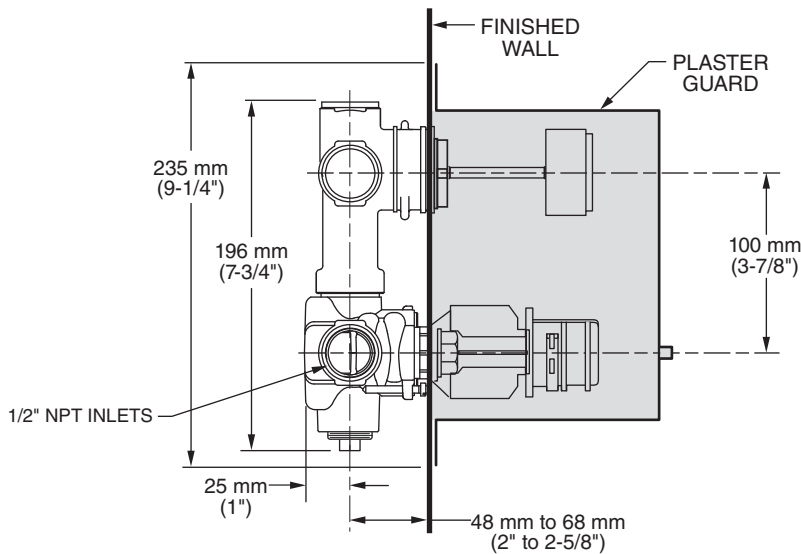
For toll-free information and answers to your questions, call:
1-800-442-1902
Weekdays 8:00 a.m. to 6:00 p.m. EST
IN CANADA 1-800-387-0369 (TORONTO 1-905-306-1093)
Weekdays 8:00 a.m. to 7:00 p.m. EST
IN MEXICO 01-800-839-1200



MODEL NUMBER:

- ❑ **R523 Two-Handle Thermostatic Rough Valve with Built-In 3-Way Diverter (Discrete)**
 1/2" NPT inlets/outlets. 3 Discrete Functions. LESS Trim.

- ❑ **R523S Two-Handle Thermostatic Rough Valve with Built-In 3-Way Diverter (Shared)**
 1/2" NPT inlets/outlets. 3 Discrete Functions/2 Shared Functions. LESS Trim.



GENERAL DESCRIPTION:

Cast brass valve body. The single unit contains two handles, the bottom handle sets the desired temperature and the metal top handle controls on/off, volume and diverter functions. The temperature is maintained by a wax element moving a shuttle valve between hot and cold. The volume is controlled by twin ceramic disc valve cartridges. Ceratherm includes Hot Limit Safety Stop. Maximum temperature limit is 112°F. 1/2" NPT inlets and outlets.

PRODUCT FEATURES:

- Brass Casting:** Highest quality faucet material for durability & long life.
- Built-in Diverter:** Allows user to choose between 2 or 3 separate shower outlets.
- Wax Thermostatic Unit:** Permits shuttle valve to move between the hot and cold seat to maintain the pre-selected constant water temperature.
- Back to Back Capable:** Hot and cold can be reversed.
- Spring-Loaded Check Valves:** When the hot and cold water enters the fitting, both supplies pass through the spring-loaded check valves to prevent cross flow of hot and cold water.
- Integrated Stop Valves:** Ensure easy cleaning and servicing.
- Adjustable Hot Limit Safety Stop:** Limits the amount of hot water allowed to mix with cold. Reduces the risk of accidental scalding. Maximum water temperature limit may be reduced to 104 or 109 degrees Fahrenheit.

SUGGESTED SPECIFICATION

Two-handle thermostat shall feature a cast brass valve body. Shall feature built-in diverter. Thermostat shall be a wax element shuttle valve. Shall also feature ceramic disc valving, 1/2" NPT inlets and outlets. Fitting shall be American Standard Model # R52_.



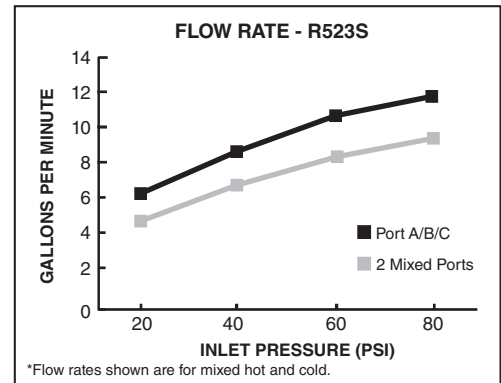
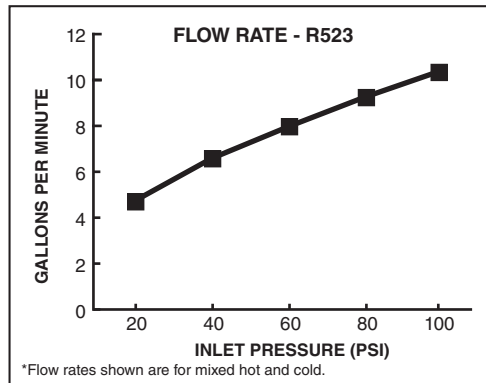
ROUGH VALVES

TWO-HANDLE THERMOSTAT WITH BUILT-IN 3-WAY DIVERTER

CODES AND STANDARDS

These products meet or exceed the following codes and standards:

- ASSE 1016**
- ASME A112.18.1**
- CSA B125.1**



Meets the American Disabilities Act Guidelines and **ANSI A117.1** Requirements for the physically challenged.

ROUGH VALVE BODIES	Product Number	Description
	R523	Two-Handle Thermostatic Rough Valve with Built-In 3-Way Diverter. 1/2" NPT Inlets/Outlets. 3 Discrete Functions. LESS Trim.
	R523S	Two-Handle Thermostatic Rough Valve with Built-In 3-Way Diverter. 1/2" NPT Inlets/Outlets. 3 Discrete Functions/2 Shared Functions. tLESS Trim.

R523 and R523S will accept the following trims:

AVAILABLE TRIM KITS	Town Square®	Serin®	Green Tea®	Times Square®	Townsend®
	T555.740	T064.740 	T010.740 	T184.740 	T353.740
	Moments®	Berwick®	Portsmouth®	Quentin™	
	T506.740 	T430.740	T420.740	T440.740 	