

T184.502 Bath/Shower Trim Shown

GENERAL DESCRIPTION:

SHOWERHEAD

Brass 8" Square Rain Showerhead at maximum 2.5 gpm/9.5 L/min. flow rate. 12" Brass right angle shower arm.

WALL TUB SPOUT

Metal slip-on diverter spout.

WALL VALVE TRIM

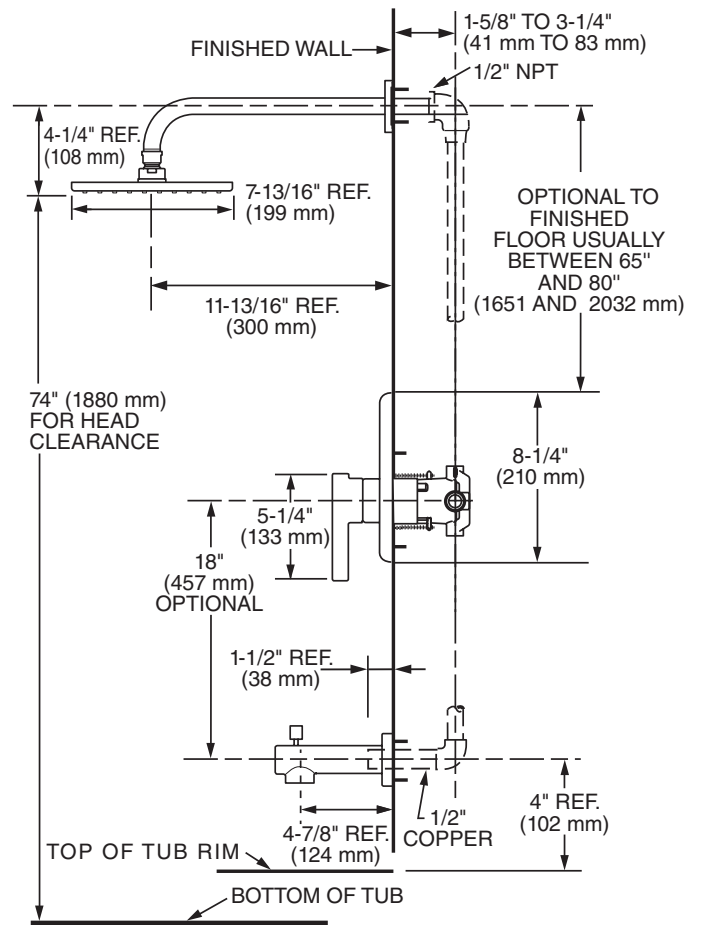
Available with metal lever handle.
 Metal wall escutcheon.

MODEL NUMBER:

TRIM KITS:

- ❑ T184.502 Times Square BATH/SHOWER Trim Kit
 Metal Lever Handle. LESS Valve Body.
- ❑ T184.501 Times Square SHOWER ONLY Trim Kit
 Metal Lever Handle. LESS Valve Body.
- ❑ T184.500 Times Square VALVE ONLY Trim Kit
 Metal Lever Handle. LESS Valve Body.

*For use with R110 Series Pressure Balance Valves.
 See reverse side for available Rough Valves.*



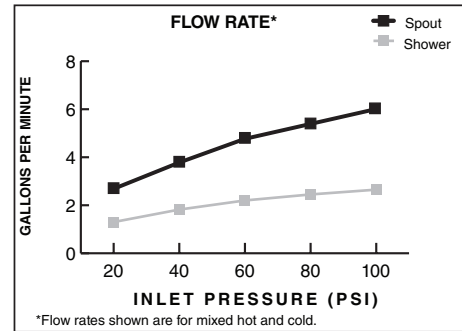
SUGGESTED SPECIFICATION:

Bath/shower fitting shall feature brass square rain showerhead with Max. 2.5 gpm/9.5 L/min. flow rate. Fitting shall be: American Standard - Trim Kit Model # T184.50_._ and Valve Body Model # R11_.

CODES AND STANDARDS

These products meet or exceed the following codes and standards:

- ANSI A 117.1
- ASSE 1016
- ASME A112.18.1
- CSA B 125.1



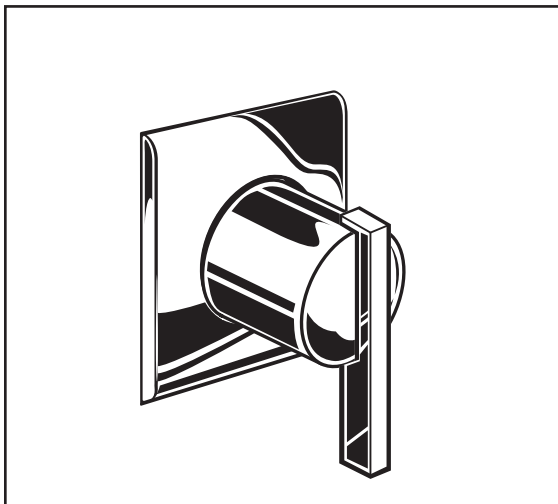
Modifications	Parts Suffix*
	__IPT
	__WD

*To modify a product, add suffix after the 4th digit (ex. T064**ITP**502.002)

TRIM KITS *	Product Number	Description	* TRIM & ROUGH MUST BE ORDERED SEPARATELY.		Finish Options	
					Polished Chrome	PVD Satin Nickel
					002	295
T184.502	Bath/Shower Trim Kit. Metal Lever Handle. FloWise Showerhead. LESS Valve Body.					
T184.501	Shower Only Trim Kit. Metal Lever Handle. FloWise Showerhead. LESS Valve Body.					
T184.500	Valve Trim Only . Metal Lever Handle. LESS Valve Body.					

ROUGH VALVE BODIES	Product Number	Description
	R111	Rough Valve Body less trim. Universal inlets/outlets.
	R111SS	Rough Valve Body less trim. Universal inlets/outlets with Screwdriver Stops.
	R110	Rough Valve Body less trim. Direct sweat inlets/outlets.
	R110SS	Rough Valve Body less trim. Direct sweat inlets/outlets with Screwdriver Stops.
	R115	Rough Valve Body less trim. Female Thread inlets/outlets.
	R115SS	Rough Valve Body less trim. Female Thread inlets/outlets with Screwdriver Stops.
	R117	Rough Valve Body less trim. PEX inlets/universal outlets for Crimp Ring PEX system (ASTM F1807).
	R117SS	Rough Valve Body less trim. PEX inlets/universal outlets for Crimp Ring PEX system (ASTM F1807) with Screwdriver Stops.
	R118	Rough Valve Body less trim. PEX inlets/universal outlets for Cold Expansion PEX system (ASTM F1960).
	R118SS	Rough Valve Body less trim. PEX inlets/universal outlets for Cold Expansion PEX system (ASTM F1960) with Screwdriver Stops.
	R119	Rough Valve Body less trim. CPVC inlets/universal outlets.
	R119SS	Rough Valve Body less trim. CPVC inlets/universal outlets with Screwdriver Stops.

Meets the American Disabilities Act Guidelines and **ANSI A117.1** Requirements for the physically challenged.



MODEL NUMBER:

TRIM KITS:

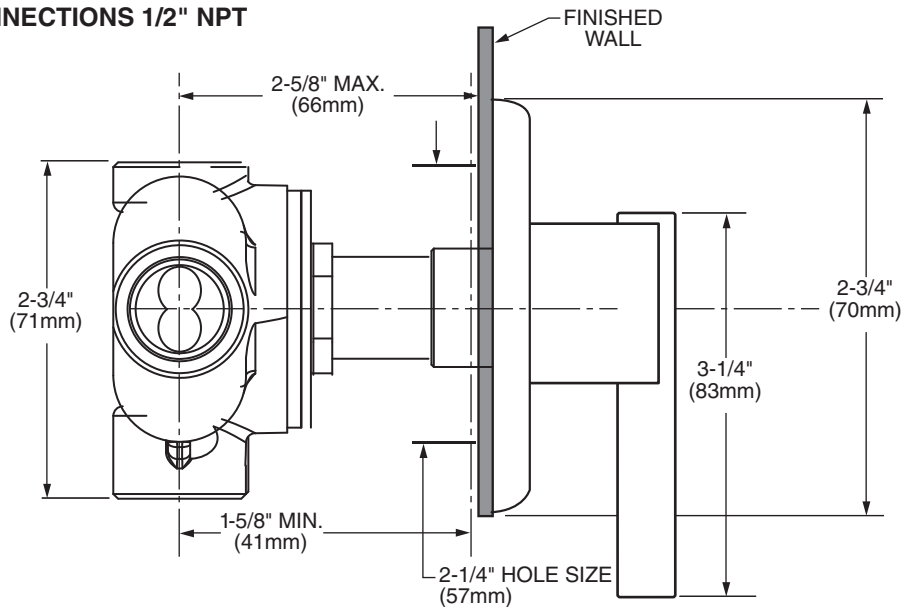
- T184.430 Diverter Valve Trim**
Valve Trim ONLY. LESS Valve.

ROUGH VALVE BODIES:

- R420 Two-Way In-Wall Diverter Valve Rough**
1/2" NPT inlets/outlets. Less Handle.
- R430 Three-Way In-Wall Diverter Valve Rough**
1/2" NPT inlets/outlets. Less Handle.

NOTE: Cannot be used as a shut-off valve.

ALL CONNECTIONS 1/2" NPT



GENERAL DESCRIPTION:

In-Wall Diverter: Rotational control alternates water flow between two (R420) or three (R430) different shower outlets (i.e. showerhead, handspray, body side spray or tub spout). Forged brass valve body. Mixed water inlet and two (R420) or three (R430) outlets are marked on back of valve body. 1/2" NPT connections on mixed water inlet and two (R420) or three (R430) outlets. Stamped brass escutcheon. Tub port with increased water flow (see chart).

NOTE: Cannot be used as a shut-off valve.

PRODUCT FEATURES:

Solid Brass Construction: Durable, ideal material for prolonged contact with water.

Removable Plaster Guard: Permits checking of valve installation prior to installing trim parts.

Choice of Finishes: Wide range of durable finishes.

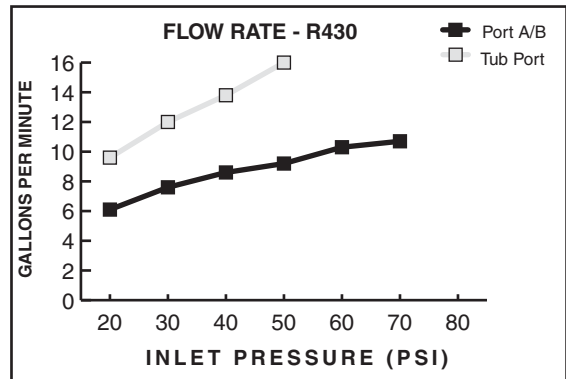
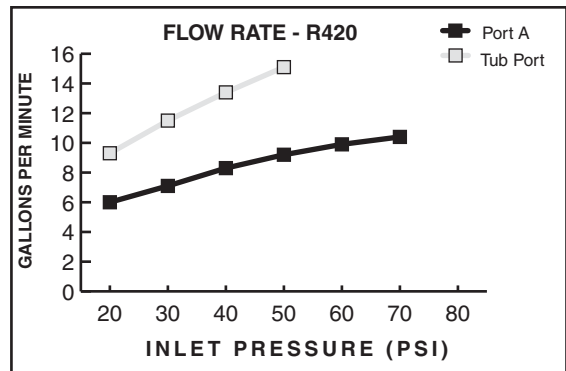
SUGGESTED SPECIFICATION


Two (three) way diverter shall feature a forged brass body with 1/2" NPT mixed water inlet and outlets. Fitting shall be American Standard Model # T184.430.____ (Diverter Valve Trim) and R4_0. (Rough Valve Body).

CODES AND STANDARDS

These products meet or exceed the following codes and standards:


ASME A112.18.1

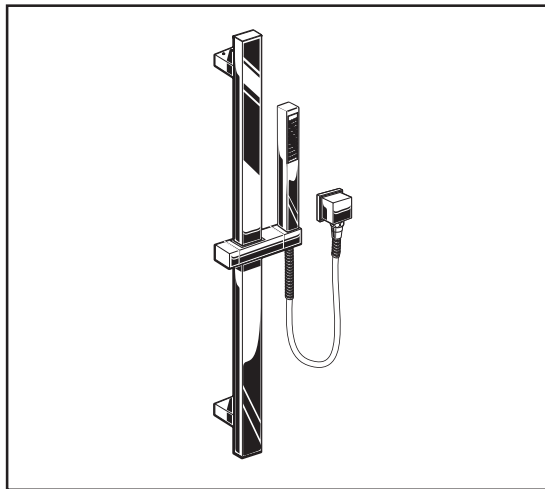


TRIM KITS**	Product Number	Description	Finish Options	
			Polished Chrome	PVD Satin Nickel
			002	295
T184.430	Diverter Valve Trim. Less Valve.			

ROUGHVALVE BODIES	Product Number	Description		
			R420	Two-Way In-Wall Diverter. Less Handle.
			R430	Three-Way In-Wall Diverter. Less Handle.

**** ROUGHS AND TRIMS MUST BE ORDERED SEPARATELY.**

 Meets the American Disabilities Act Guidelines and **ANSI A117.1** Requirements for the physically challenged.

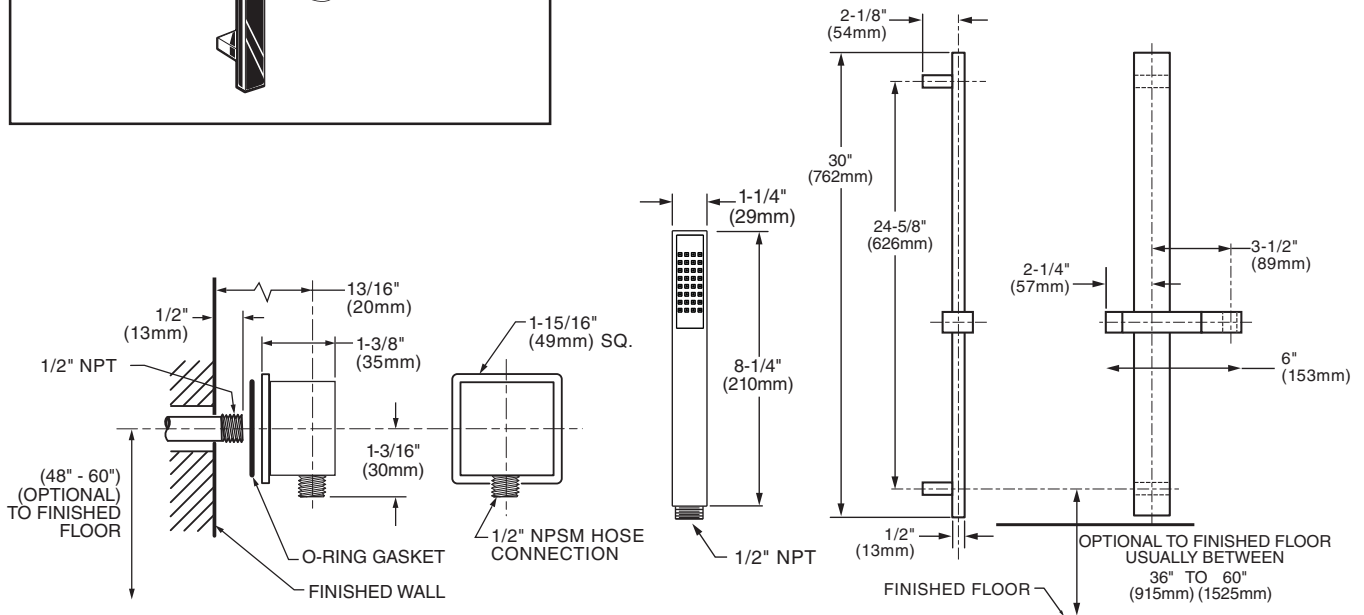


MODEL NUMBER:

☐ **1662.184 Shower System Kit**

Includes:

- Single Function Wand Style Hand Shower 8888.035
- Hose 8888.069
- Square Brass Wall Supply 1660.30
- 30" Square Slide Bar



GENERAL DESCRIPTION:

Complete personal shower system includes: a wall supply with 1/2" NPT female inlet, 1/2" NPSM male outlet; a 59" (1500mm) shower hose; a single function hand shower; and a 30" Slide Bar. Fixed hand shower with 2.5 gpm/9.5L/min. flow restrictor. Slide bar features an adjustable shower holder which can be set at any height or position along the bar and angle up to 45°. Kit includes double check valves to prevent cross flow of hot and cold water.

PRODUCT FEATURES:

HAND SHOWER:

Lightweight, Ergonomic Design: For a sure grip even with wet, soapy hands.

SLIDE BAR:

Simple Height Adjustment: Allows positioning of the personal shower anywhere along the bar.

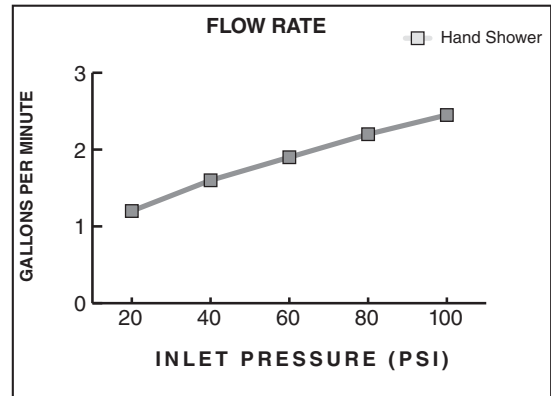
SUGGESTED SPECIFICATION:

Shower system shall feature a wall supply with 1/2" NPT female inlets, 1/2" NPSM male outlet, 59" hose, hand shower and a 30" Standard Slide Bar. Kit shall include double check valves to prevent cross flow of hot and cold water. Fitting shall be American Standard Model # 1662.184.____.

CODES AND STANDARDS

Install as required to comply with local code requirements.

ASME A112.18.1
CSA 125



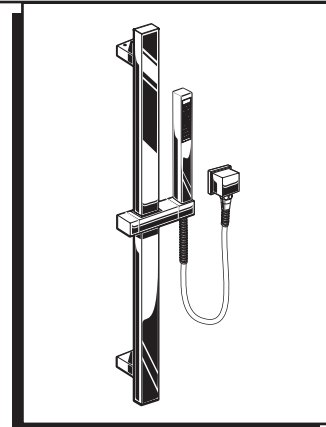
Product Number	Description	Finish	
		Polished Chrome	Satin Nickel PVD
		002	295
1662.184	Shower System Kit. Contains single function wand hand shower, hose, wall supply and slide bar.		

American Standard

**TIMES SQUARE™
SHOWER SYSTEM KIT**

**Installation
Instructions**

1662.184



Certified to comply with ANSI A112.18.1
M965452 REV. 1.2

Thank you for selecting American-Standard...the benchmark of fine quality for over 100 years.

To ensure that your installation proceeds smoothly—please read these instructions carefully before you begin.

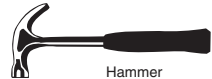
Recommended Tools & Materials



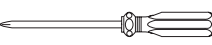
Tape Measure



Sealing Tape

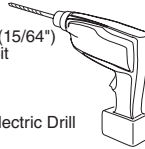


Hammer



Phillips Screwdriver

6mm (15/64")
Drill Bit



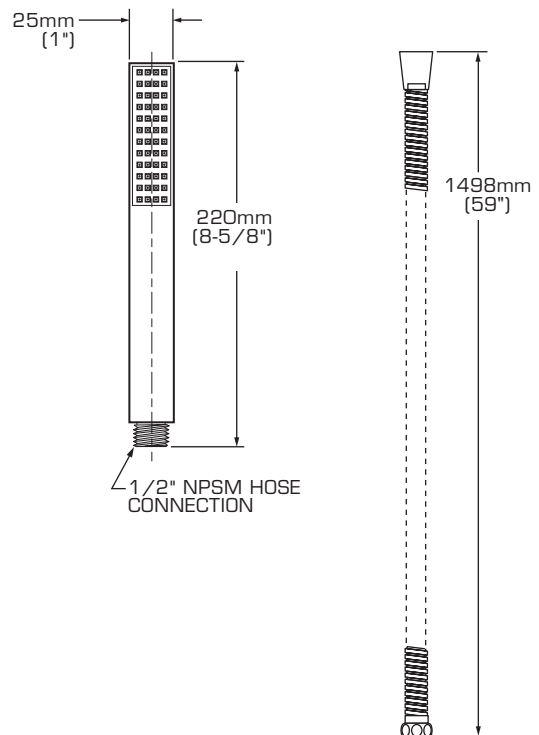
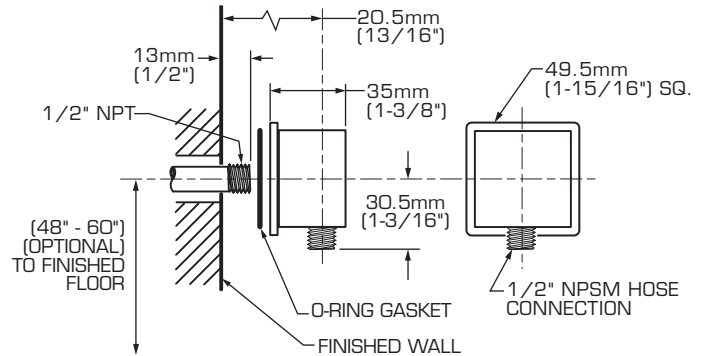
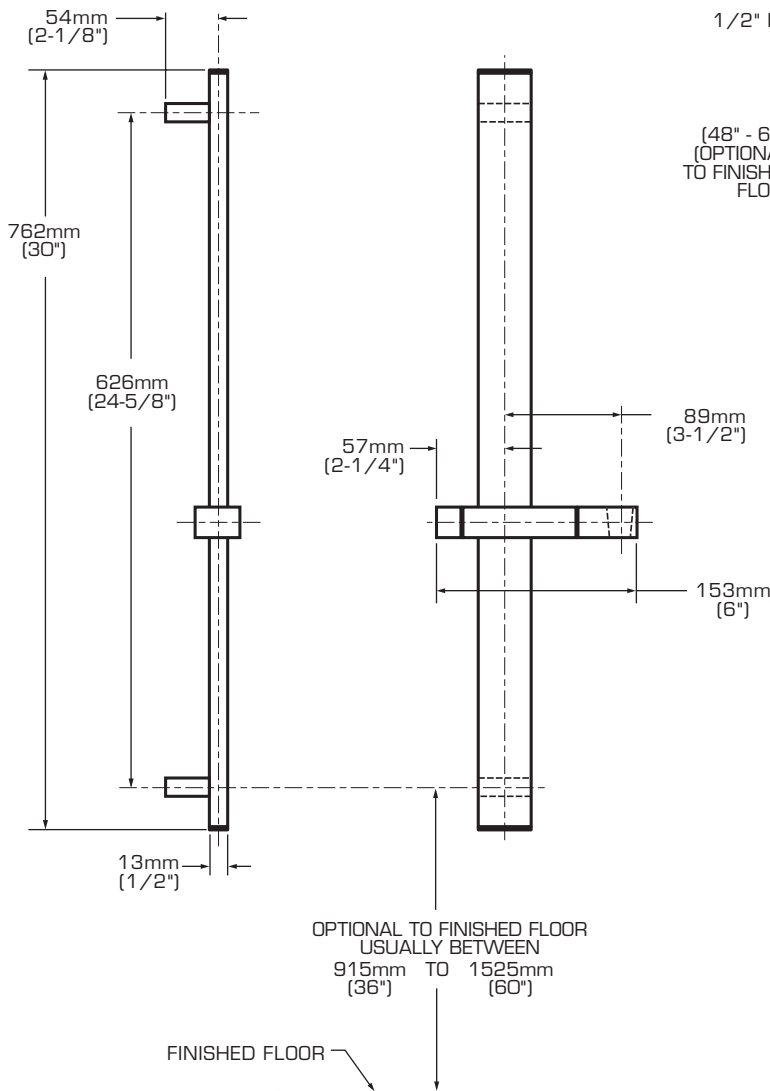
Electric Drill

CARE INSTRUCTIONS:

DO: SIMPLY RINSE THE PRODUCT CLEAN WITH CLEAR WATER. DRY WITH A SOFT COTTON FLANNEL CLOTH.

DO NOT: DO NOT CLEAN THE PRODUCT WITH SOAPS, ACID, POLISH, ABRASIVES, HARSH CLEANERS, OR A CLOTH WITH A COARSE SURFACE.

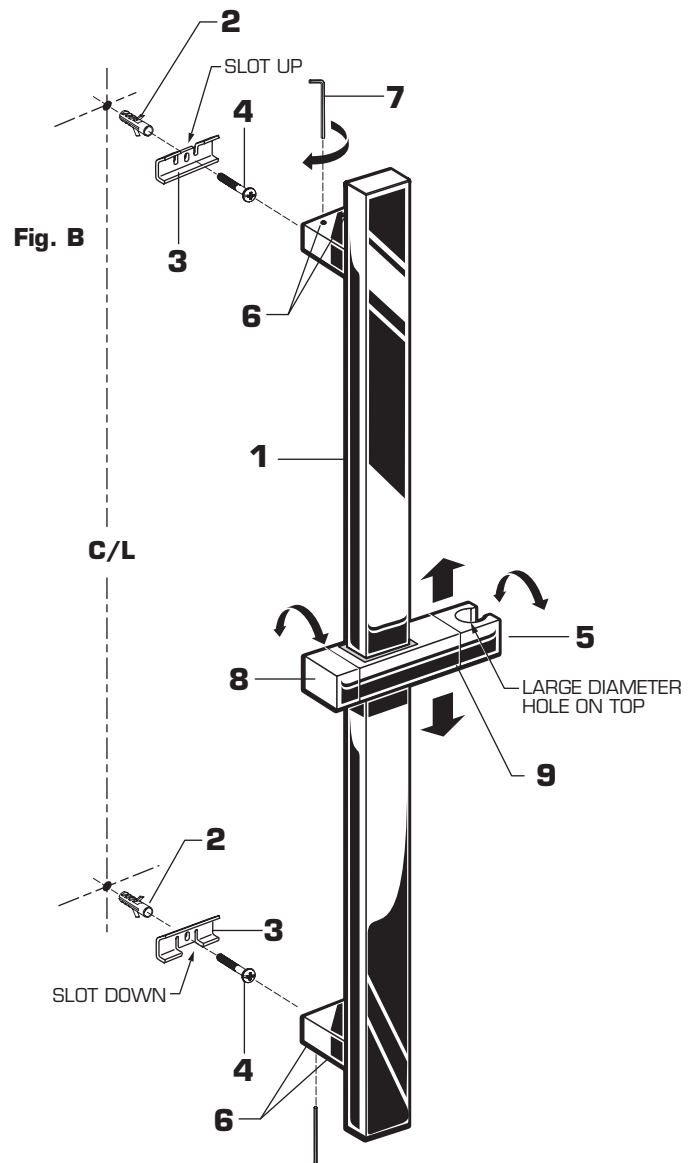
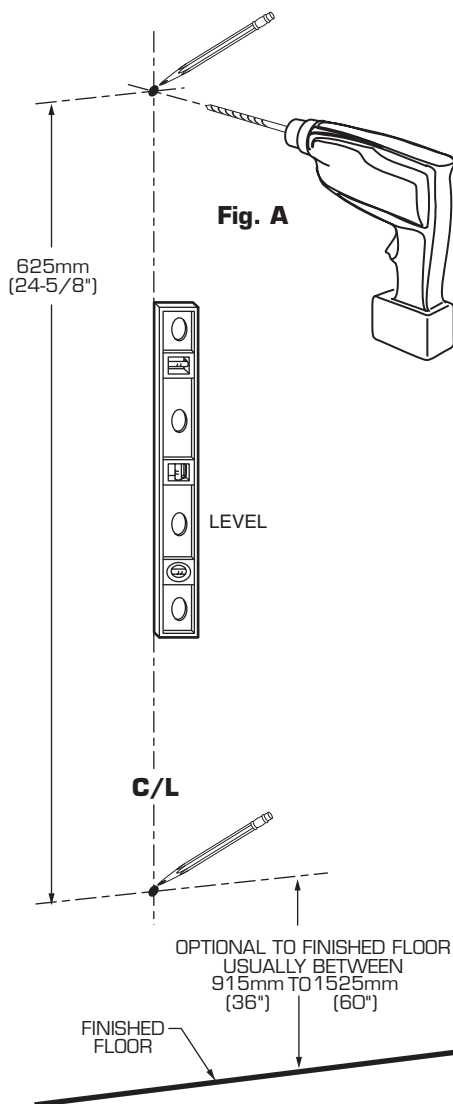
ROUGHING-IN DIMENSIONS



1

INSTALLATION INSTRUCTIONS

- The SLIDE BAR (1) works best when secured to the wall studs or cross brace using the WOOD SCREWS. If a mounting into the studs is not possible, use appropriate wall fasteners to secure the installation.
- Mark a vertical *center line* in the location you wish to install the SLIDE BAR (1). **NOTE: The height from the finished floor is optional. See rough-in drawing for suggested dimensions.**
- Determine desired height from the finished floor to the lower support and mark a horizontal center line. Measure up 625mm (24-5/8") and mark another horizontal center line marking the location of the two mounting holes to be drilled. **Fig. A.**
- Using 15/64" diameter drill. Drill two mounting holes 1-1/4" max. deep. **Fig. A.**
- Install the two ANCHORS (2) provided into the mounting holes. Use a hammer to lightly tap ANCHORS (2) into place. Make sure they are installed flush against the finished wall. **Fig. B.**
- Place the MOUNTING BRACKET (3) over the ANCHORS (2) and secure the MOUNTING BRACKET (3) with the SCREWS (4) provided. The top MOUNTING BRACKET (3) should have the slot facing up and lower MOUNTING BRACKET (3) should have the slot facing down. See illustration. **Fig. B.**
- Align and install the SLIDE BAR (1) onto the MOUNTING BRACKETS (3). **Important: Make sure the larger diameter hole in the HOLDER END (5) is on top. Rotate HOLDER END (5) 180° if it is not.** If SLIDE BAR (1) cannot be installed loosen MOUNTING BRACKETS (3) adjust, tighten and re-install SLIDE BAR (1). **Fig. B.**
- Hold SLIDE BAR (1) against finished wall. Tighten the four SET SCREWS (6) with the HEX WRENCH (7) supplied with SLIDE BAR (1). **Fig. B.**
- Check operation of SLIDE BAR (1) by rotating HAND SHOWER HOLDER KNOB (8) and moving HAND SHOWER HOLDER (9) up and down. Rotate KNOB (8) back to lock HAND SHOWER HOLDER (9). **Fig. B.**



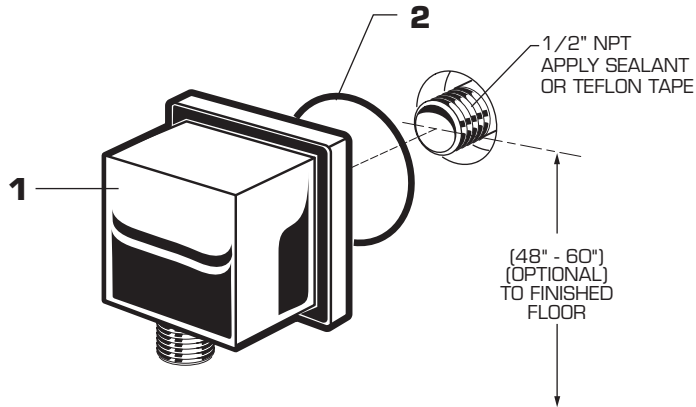
2

INSTALL WALL SUPPLY

CAUTION

Turn off hot and cold water supplies before beginning.

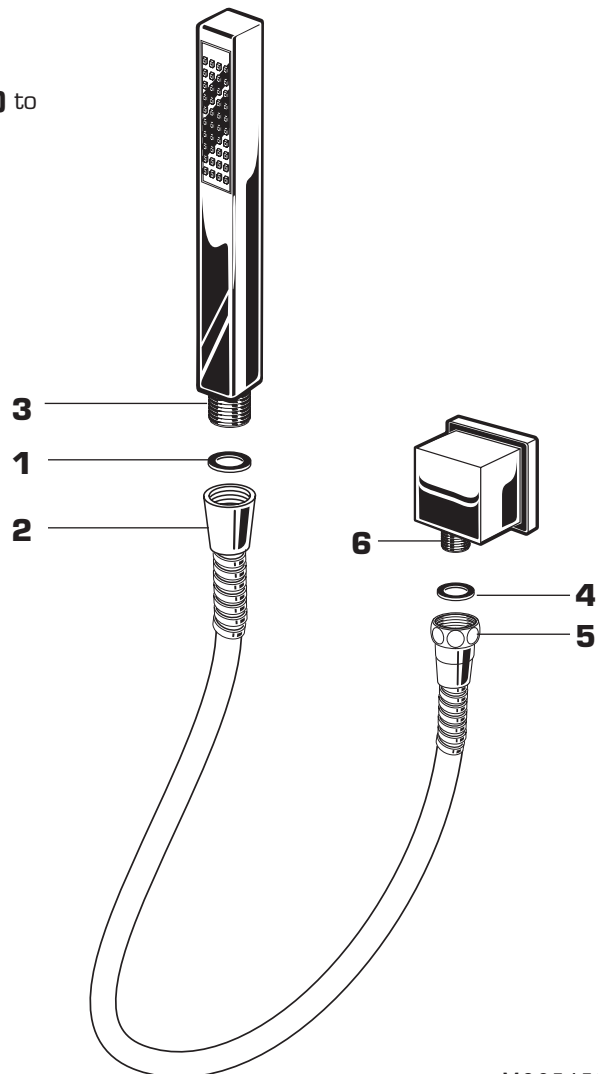
- WALL SUPPLY **(1)** is 1/2" NPT. *See rough-in above for detailed information.*
- Install O-RING **(2)** onto back of WALL SUPPLY **(1)**.
- Apply sealant or teflon tape to threads of 1/2" NPT supply nipple. Tighten ELBOW **(1)** onto the inlet pipe nipple with a smooth jaw wrench. WALL SUPPLY **(1)** should be tight against finished wall.



3

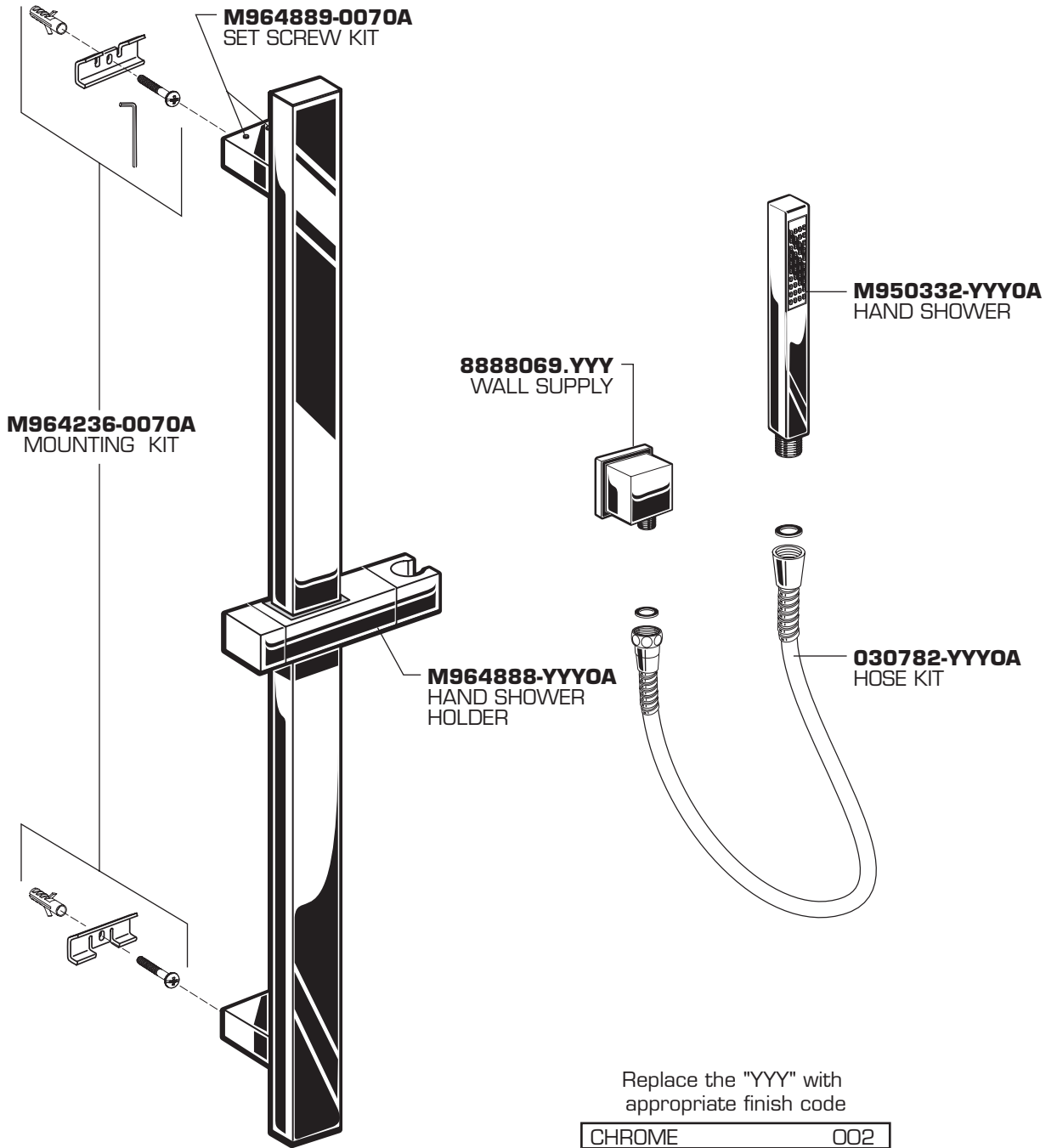
INSTALL HOSE AND HAND SHOWER TO WALL SUPPLY

- Install SEAL **(1)** into SPRAY HOSE END **(2)** and connect HAND SHOWER **(3)** to SPRAY HOSE END **(2)**. Hand tighten.
- Install SEAL **(4)** into HOSE END **(5)**. Connect HOSE END **(5)** to WALL SUPPLY **(6)**. Tighten with adjustable wrench. Do not over tighten.
- Turn on water and test HAND SHOWER **(3)**.



MODEL NUMBER

1662.184



Replace the "YYY" with appropriate finish code

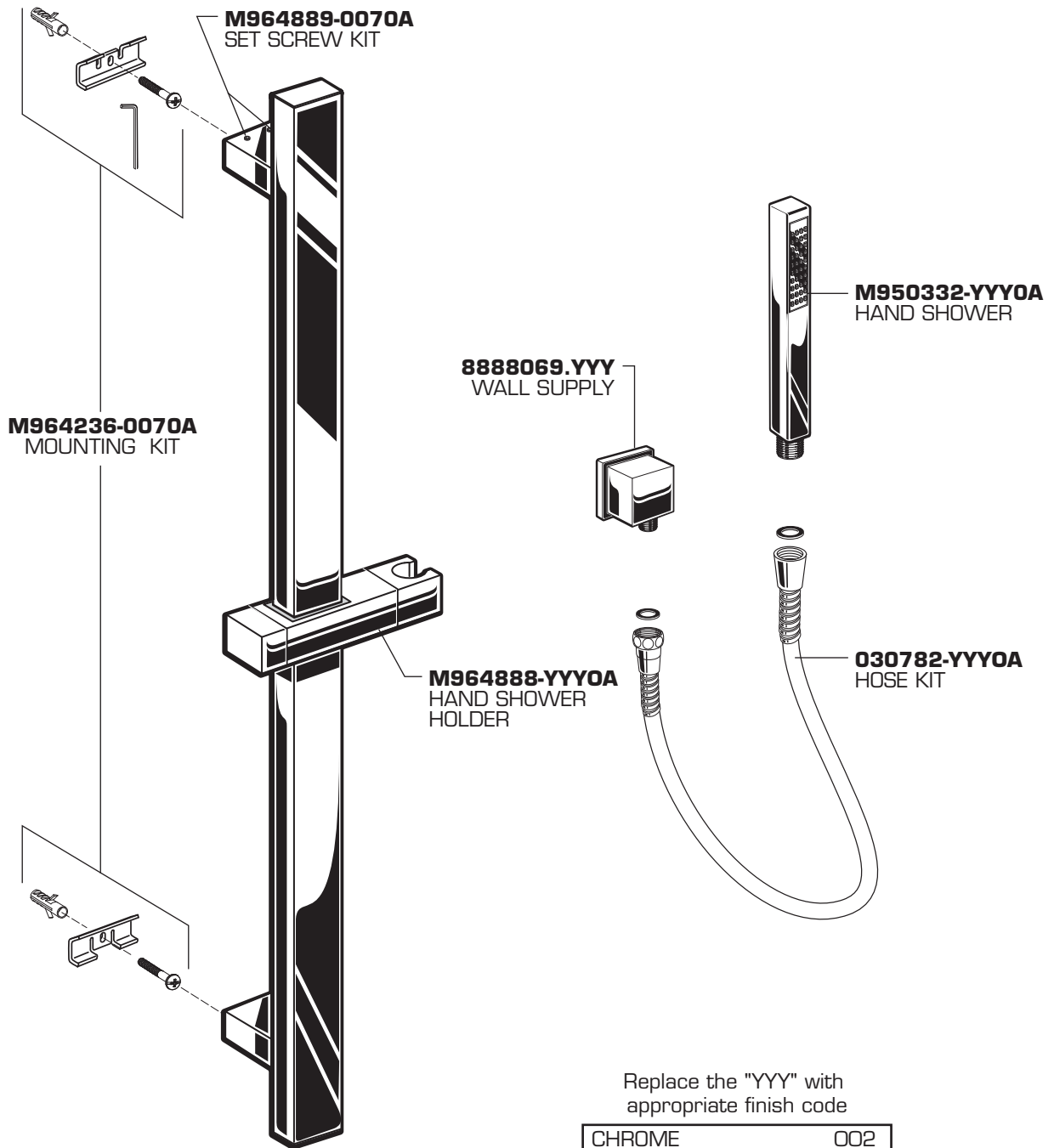
CHROME	002
SATIN NICKEL	295



HOT LINE FOR HELP
For toll-free information and answers to your questions, call:
1-800-442-1902
Weekdays 8:00 a.m. to 8:00 p.m. EST
IN MEXICO 01-800-839-1200
IN CANADA 1-800-387-0369 (TORONTO 1-905-306-1093)
Weekdays 8:00 a.m. to 7:00 p.m. EST

MODEL NUMBER

1662.184



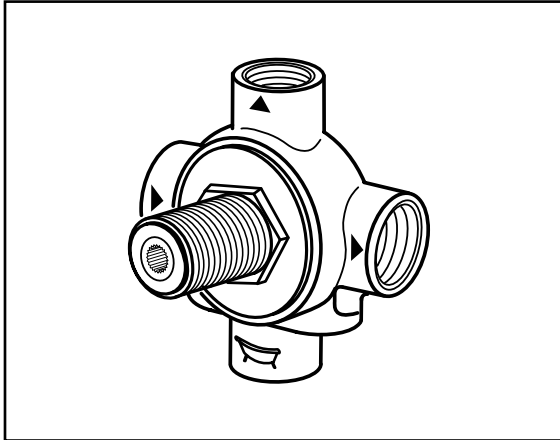
Replace the "YYY" with appropriate finish code

CHROME	002
SATIN NICKEL	295



HOT LINE FOR HELP
For toll-free information and answers to your questions, call:
1-800-442-1902
Weekdays 8:00 a.m. to 8:00 p.m. EST
IN MEXICO 01-800-839-1200
IN CANADA 1-800-387-0369 (TORONTO 1-905-306-1093)
Weekdays 8:00 a.m. to 7:00 p.m. EST

Product names listed herein are trademarks of American Standard Inc.
© AS America, Inc. 2013



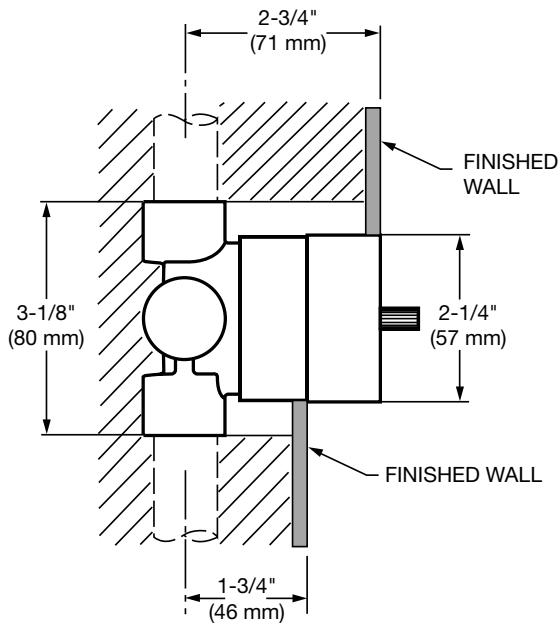
MODEL NUMBER:

- ❑ **R433 Three-Way In-Wall Diverter Valve Rough (Discrete)**

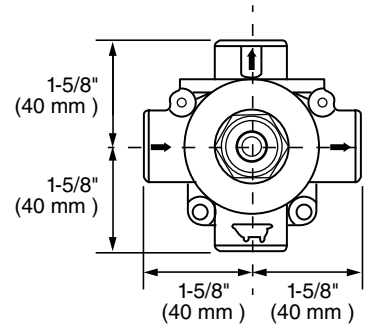
1/2" NPT inlets/outlets. 3 Discrete functions. LESS Handle.

- ❑ **R433S Three-Way In-Wall Diverter Valve Rough (Shared)**

1/2" NPT inlets/outlets. 3 Discrete/3 Shared functions. LESS Handle.



ALL CONNECTIONS 1/2" NPT



DIVERTER OPERATION	
R433 <i>DISCRETE FUNCTIONS</i>	R433S <i>SHARED FUNCTIONS</i>

GENERAL DESCRIPTION:

In-Wall Diverter: Rotational control alternates water flow between three different shower outlets (i.e. showerhead, handspray, body side spray or tub spout). Forged brass valve body. Mixed water inlet and three outlets are marked on back of valve body. 1/2" NPT connections on mixed water inlet and three outlets. Stamped brass escutcheon. Tub port with increased water flow (see chart).

NOTE: Cannot be used as a shut-off valve.

PRODUCT FEATURES:

Solid Brass Construction: Durable, ideal material for prolonged contact with water.

Removable Plaster Guard: Permits checking of valve installation prior to installing trim parts.


SUGGESTED SPECIFICATION

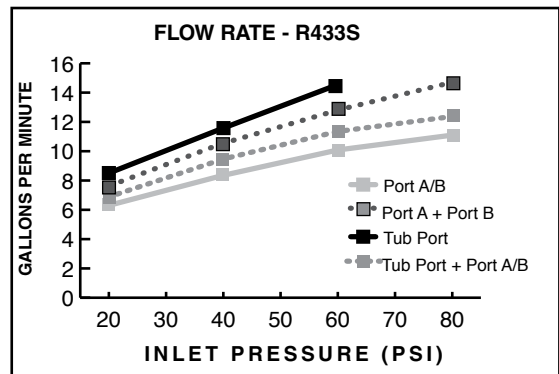
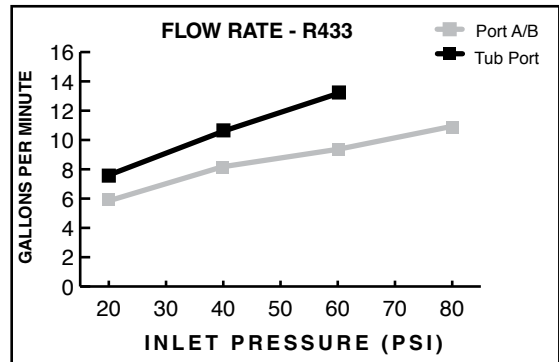
Three way diverter shall feature a forged brass body with 1/2" NPT mixed water inlet and outlets. Fitting shall be American Standard Model # R433_.

CODES AND STANDARDS

These products meet or exceed the following codes and standards:

ASME A112.18.1
CSA B125.1






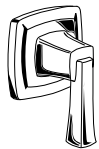














 Meets the American Disabilities Act Guidelines and **ANSI A117.1** Requirements for the physically challenged.

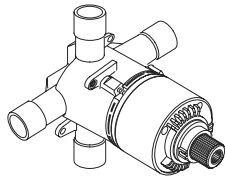


ROUGH VALVE BODIES	Product Number	Description
	R433*	Three-Way In-Wall Diverter. 3 Discrete functions. LESS handle.
	R433S*	Three-Way In-Wall Diverter. 3 Discrete/3 Shared functions. LESS handle.

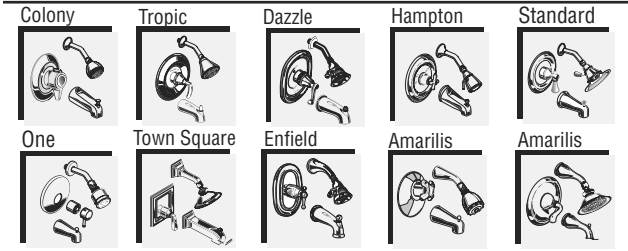
*Rough and Trim must be ordered separately.

R433 and R433S will accept the following handles:

AVAILABLE TRIM KITS	Town Square®	Serin®	Green Tea®	Moments®	Times Square®	Townsend®
						
	T555.430 	T064.430 	T010.430 	T506.430 	T184.430 	T353.430 
	Berwick®	Berwick®	Portsmouth®	Portsmouth®	Quentin®	
						
T430.430 	T430.432	T420.430 	T420.432	T440.430 		



Available Trim Kits



R110 Valve Body Shown

GENERAL DESCRIPTION:

Cast brass body, washerless ceramic disc valve cartridge with back-to-back capability and hot limit safety stop. Cycles from "off" to "cold" to "hot". Pressure balancing cartridge maintains constant output temperature in response to changes in relative hot and cold supply pressure. One-half inch inlets and outlets (choice of direct sweat, threaded, or PEX). Available with screwdriver stops. Rough-in plaster guard designed for use as thin-wall mounting adaptor. Valve body will accept a variety of decorative Bath/Shower trims.

PRODUCT FEATURES:

Cast Brass Valve Body: Durable - Quality that will last a lifetime. Ideal material for prolonged contact with water.

Ceramic Disc Valve Cartridge: Assures a lifetime of drip-free performance. Allows easy fine tuning of temperature (125° handle rotation from off to hot).

Pressure Balancing Valve Cartridge: Maintains constant output temperature in response to changes in hot and cold supply pressure. Diaphragm system engineered to eliminate cross flow. Avoids failure due to mineral deposits - ideal for use in hard water

Back-to-Back Capability: Hot and cold can be reversed quickly and easily.

Adjustable Hot Limit Safety Stop: Limits the amount of hot water allowed to mix with cold. Reduces the risk of accidental scalding.

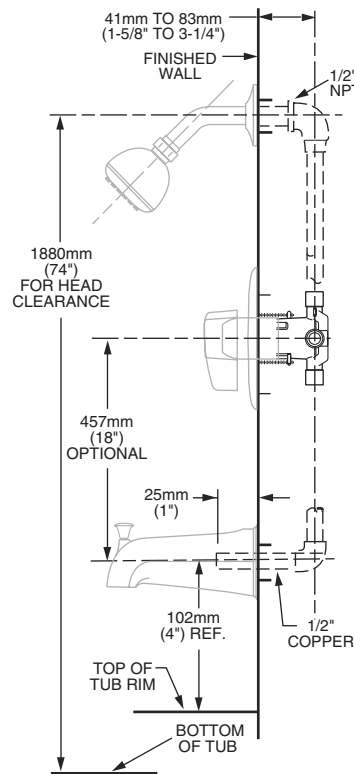
Exclusive Plaster Guard: Plaster guard is designed to protect valve during installation and serve as a mounting plate for thin-wall installations. 2 piece design allows valve to be tested prior to trim installation.

Wide Rough-in Range: From 1-5/8" to 3-1/4".

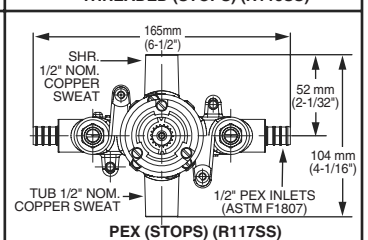
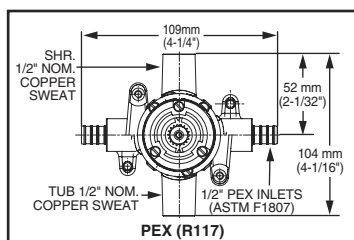
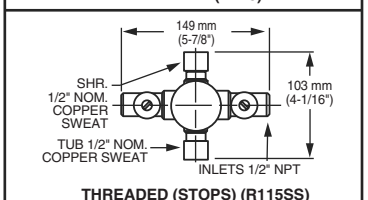
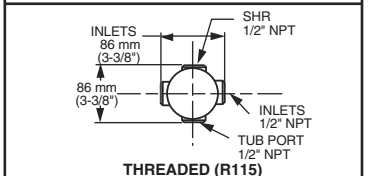
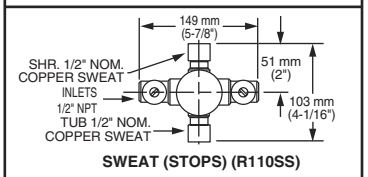
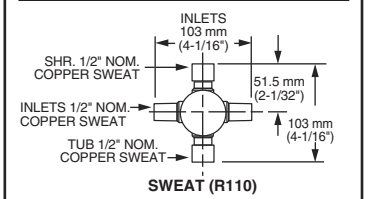
MODEL NUMBER:

- R110 Pressure Balance Rough Valve Body only**
Direct sweat inlets/outlets. LESS trim.
- R110SS Pressure Balance Rough Valve Body only with Screwdriver stops**
Direct sweat inlets/outlets. Screwdriver stops. LESS trim.
- R115 Pressure Balance Rough Valve Body only**
Female thread inlets/outlets. LESS trim.
- R115SS Pressure Balance Rough Valve Body only with Screwdriver stops**
Female thread inlets/outlets. Screwdriver stops. LESS trim.
- R117 Pressure Balance Rough Valve Body only**
PEX inlets/Direct sweat outlets. LESS trim.
- R117SS Pressure Balance Rough Valve Body only with Screwdriver stops**
PEX inlets/Direct sweat outlets. Screwdriver stops. LESS trim.

See reverse for available trim kits.



VALVE BODY OPTIONS



SUGGESTED SPECIFICATION:

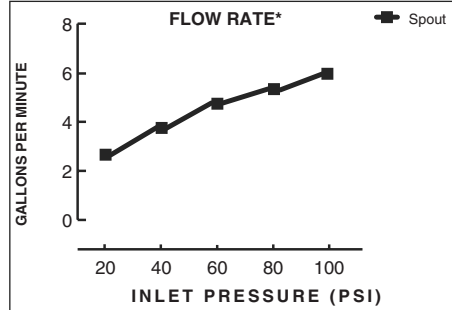
Bath/shower fitting shall feature a cast brass body. Shall feature ceramic disc valve cartridge which is capable of back-to-back installation. Fitting shall be equipped with pressure balancing cartridge engineered to eliminate cross flow and avoid failure due to mineral deposits. Shall also feature hot limit safety stop. Fitting shall be: Rough Valve Body - American Standard Model # R11____, Trim Kit - American Standard Model # ____.

Valve + Trim: Trim Kit & Valve Body Packaged Separately

To order: Specify valve body **and** trim kit desired

Example: R110 - Direct Sweat Valve Body

T215.701 - Hampton Bath/Shower Trim Kit (Porcelain Cross Handle)



CODES AND STANDARDS

These products meet or exceed the following codes and standards:

- ASSE 1016
- ASME A112.18.1
- CSA B 125

* Showerhead with 2.5gpm/9.5L.min. flow restrictor.

VALVES						
		R110	R110SS	R115	R115SS	R117
	Direct Sweat Inlets/Outlets	Direct Sweat Inlets/Outlets w/ Screwdriver Stops	Female Thread Inlets/Outlets	Female Thread Inlets/Outlets w/ Screwdriver Stops	PEX Inlets/Direct Sweat Outlets	PEX Inlets/Direct Sweat Outlets w/ Screwdriver Stops

TRIM KITS		Colony*	Tropic	Dazzle	Hampton**	Standard	Town Square	One	Enfield***	Amarilis****	Amarilis****
B/S		T375.XXX	T038.502	T028.502	T215.7XX	T6181	T555.502	T064.502	T373.5X2	T335.000	T345.000
Shower		T372.XXX	T038.501	T028.501	T212.7XX	T6180	T555.501	T064.501	T373.5X1	T332.000	T342.000
Valve		T371.XXX	T038.500	T028.500	T211.7XX	T6179	T555.500	T064.500	T373.5X0	T331.000	T341.000

NOTES:

* COLONY

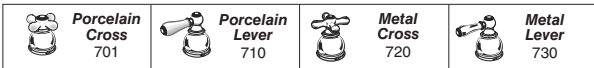


** HAMPTON

available with choice of four handles.

to order: specify the three digit handle number

ex) T211.701 (valve only trim kit w/ porcelain cross handle)



*** ENFIELD available with lever or cross handle

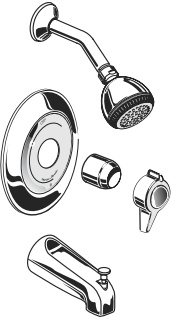

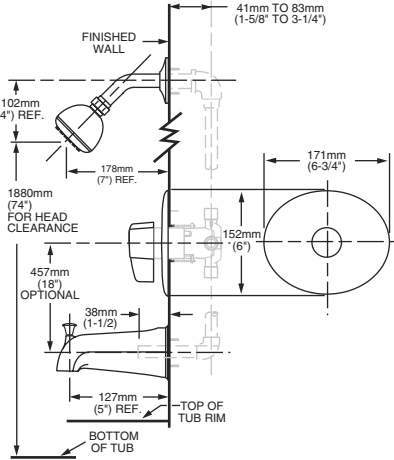
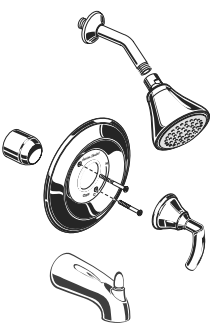
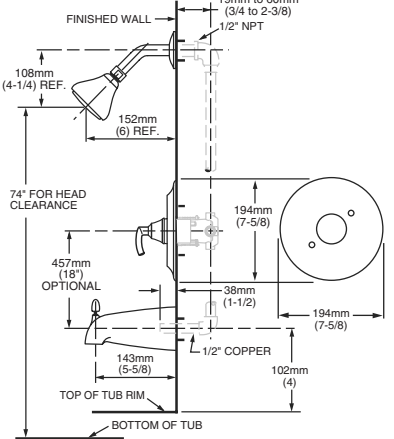
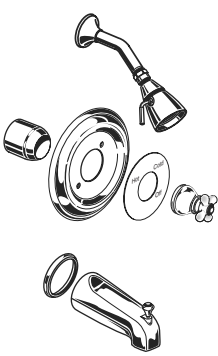
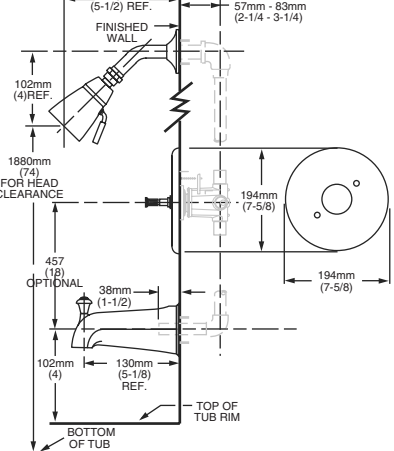






**** AMARILIS



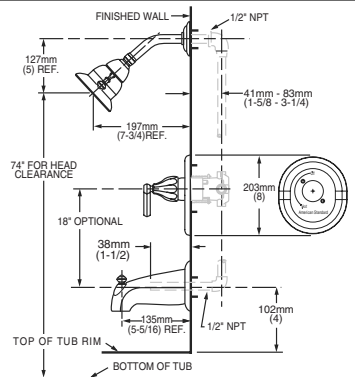


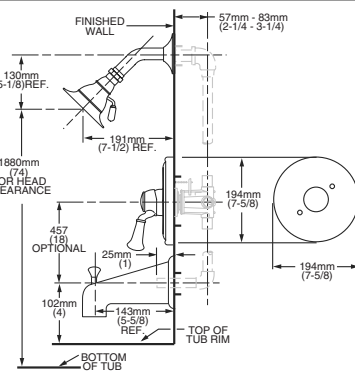
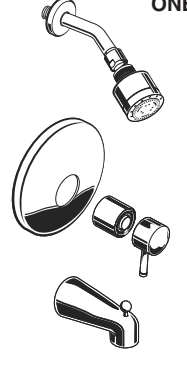

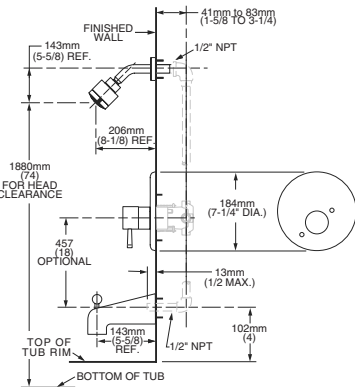
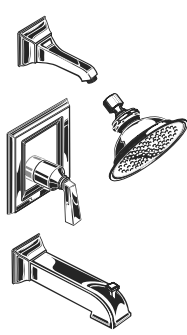

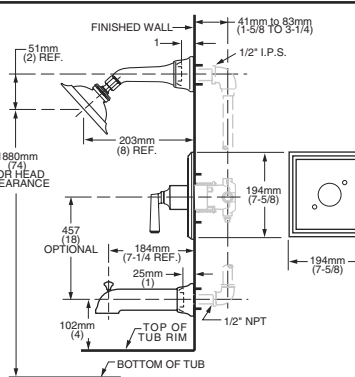
trim kits are less handles--must be ordered separately.

the following handle kits are available:


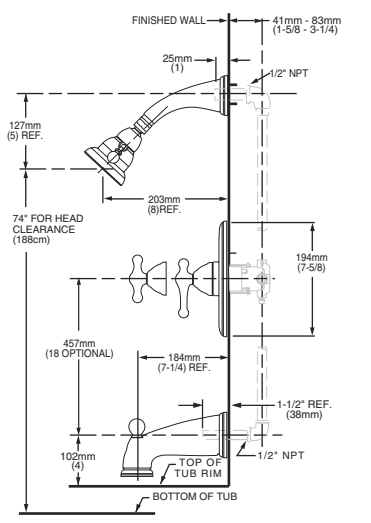

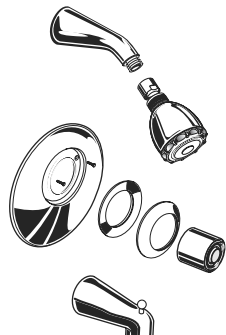
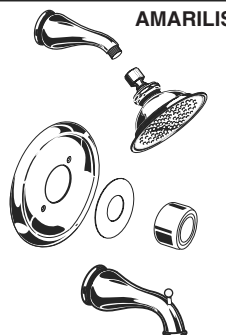
Trim Kits for R110, R110SS, R115, R115SS, R117, R117SS rough valve bodies. Showerhead with 2.5gpm/9.5L/min. maximum flow. **TRIM KITS ONLY. VALVE MUST BE ORDERED SEPARATELY.**

Trim Kit	Model # Description	Finishes	Roughing-In Dimensions
<p>COLONY</p>  	<p>T375.120 BATH/SHOWER Trim Kit</p> <ul style="list-style-type: none"> • Wall escutcheon • Lever handle • "Easy Clean" Showerhead • Shower arm and flange • Slip-on Diverter tub spout <p>T375.240 SAME AS ABOVE</p> <ul style="list-style-type: none"> • With Metal lever handle <p>T372.120 SHOWER ONLY Trim Kit</p> <ul style="list-style-type: none"> • Wall escutcheon • Lever handle • "Easy Clean" Showerhead • Shower arm and flange <p>T372.240 SAME AS ABOVE</p> <ul style="list-style-type: none"> • With Metal lever handle <p>T371.120 VALVE ONLY Trim Kit</p> <ul style="list-style-type: none"> • Wall escutcheon • Lever handle <p>T371.240 SAME AS ABOVE</p> <ul style="list-style-type: none"> • With Metal lever handle 	<p>.002 Polished Chrome</p>	
<p>TROPIC</p> 	<p>T038.502 BATH/SHOWER Trim Kit</p> <ul style="list-style-type: none"> • Metal Lever handle • Brass wall escutcheon • Showerhead, arm and flange • Slip-on Diverter tub spout <p>T038.501 SHOWER ONLY Trim Kit</p> <ul style="list-style-type: none"> • Metal Lever handle • Brass wall escutcheon • Showerhead, arm and flange <p>T038.500 SHOWER ONLY Trim Kit</p> <ul style="list-style-type: none"> • Metal Lever handle • Brass wall escutcheon 	<p>.002 Polished Chrome .295 Satin Nickel (PVD)</p> <p>.002 Polished Chrome .295 Satin Nickel (PVD)</p> <p>.002 Polished Chrome .295 Satin Nickel (PVD)</p>	
<p>HAMPTON</p> 	<p>T215.7XX BATH/SHOWER Trim Kit</p> <ul style="list-style-type: none"> • Brass wall escutcheon • Adjustable brass Showerhead • Shower arm and flange • Slip-on diverter tub spout <p>T254.7XX BATH/SHOWER Trim Kit</p> <ul style="list-style-type: none"> • Brass wall escutcheon • Adjustable brass Showerhead • Shower arm and flange • I.P.S. diverter tub spout <p>T212.7XX SHOWER ONLY Trim Kit</p> <ul style="list-style-type: none"> • Brass wall escutcheon • Adjustable brass Showerhead • Shower arm and flange <p>T211.7XX VALVE ONLY Trim Kit</p> <ul style="list-style-type: none"> • Brass wall escutcheon 	<p>Porcelain Cross, Porcelain Lever, Metal Cross Handle Finishes</p> <p>.002 Polished Chrome .099 Polished Brass (PVD) .295 Satin Nickel (PVD)</p> <p>Metal Lever Handle Finishes</p> <p>.002 Polished Chrome .068 Blackened Bronze (PVD) .099 Polished Brass (PVD) .221 Satin (PVD)/Pol. Chrome mix. .295 Satin Nickel (PVD) .297 Satin/Brass (PVD) mix. .299 Pol. Chrome/Brass (PVD) mix.</p>	
<p>HAMPTON HANDLE OPTIONS</p> <div style="display: flex; justify-content: space-around; align-items: flex-end;"> <div style="text-align: center;">  <p>701 Porcelain* Cross</p> </div> <div style="text-align: center;">  <p>710 Porcelain* Lever</p> </div> <div style="text-align: center;">  <p>720 Metal Cross</p> </div> <div style="text-align: center;">  <p>730 Metal Lever</p> </div> </div>			<p>Hampton available with choice of 4 handles. To order: specify the 3 digit handle number. eg: T211.710 = Hampton Valve Only Trim Kit with Porcelain Lever Handle</p>

Trim Kits for R110, R110SS, R115, R115SS, R010, R015, R117, R117SS rough valve bodies. Showerhead with 2.5gpm/9.5L/min. maximum flow. TRIM KITS ONLY. VALVE MUST BE ORDERED SEPARATELY.

Trim Kit	Model # Description	*Finishes	Roughing-In Dimensions
<p>DAZZLE</p>  	<p>T028.502 BATH/SHOWER Trim Kit</p> <ul style="list-style-type: none"> • Metal Lever Handle • Brass wall escutcheon • Showerhead, arm and flange • Slip-on diverter tub spout <p>T028.501 SHOWER ONLY Trim Kit</p> <ul style="list-style-type: none"> • Metal Lever Handle • Brass wall escutcheon • Showerhead, arm and flange <p>T028.500 VALVE ONLY Trim Kit</p> <ul style="list-style-type: none"> • Metal Lever Handle • Brass wall escutcheon 	<p>.002 Polished Chrome .295 Satin Nickel (PVD)</p> <p>38mm (1-1/2)</p> <p>.002 Polished Chrome .295 Satin Nickel (PVD)</p> <p>.002 Polished Chrome .295 Satin Nickel (PVD)</p>	
<p>STANDARD</p>  	<p>T6181 BATH/SHOWER Trim Kit</p> <ul style="list-style-type: none"> • Metal wall escutcheon • Porcelain lever handle • 5" adjustable showerhead • Cast brass diverter tub spout with I.P.S. connection <p>T6180 SHOWER ONLY Trim Kit</p> <ul style="list-style-type: none"> • Metal wall escutcheon • Porcelain lever handle • 5" adjustable showerhead <p>T6179 VALVE ONLY Trim Kit</p> <ul style="list-style-type: none"> • Metal wall escutcheon • Porcelain lever handle 	<p>T6181 Polished Chrome T6181S Satin Nickel (PVD)</p> <p>T6180 Polished Chrome T6180S Satin Nickel (PVD)</p> <p>T6179 Polished Chrome T6179S Satin Nickel (PVD)</p>	
<p>ONE</p>  	<p>T064.502 BATH/SHOWER Trim Kit</p> <ul style="list-style-type: none"> • Brass wall escutcheon • Adjustable "3 function" showerhead • Cast brass diverter tub spout • LESS Valve <p>T064.501 SHOWER ONLY Trim Kit</p> <ul style="list-style-type: none"> • Brass wall escutcheon • Adjustable "3 function" showerhead • LESS Valve <p>T064.500 VALVE ONLY Trim Kit</p> <ul style="list-style-type: none"> • Brass wall escutcheon • LESS Valve 	<p>.002 Polished Chrome .295 Satin Nickel (PVD)</p> <p>.002 Polished Chrome .295 Satin Nickel (PVD)</p> <p>.002 Polished Chrome .295 Satin Nickel (PVD)</p>	
<p>TOWN SQUARE</p>  	<p>T555.502 BATH/SHOWER Trim Kit</p> <ul style="list-style-type: none"> • Metal wall escutcheon • Metal lever handle • Cast brass shower arm • 4 1/2" Rain showerhead • Cast brass diverter tub spout with I.P.S. connection <p>T555.501 SHOWER ONLY Trim Kit</p> <ul style="list-style-type: none"> • Metal wall escutcheon • Metal lever handle • Cast brass shower arm • 4 1/2" Rain showerhead <p>T555.500 VALVE ONLY Trim Kit</p> <ul style="list-style-type: none"> • Metal wall escutcheon • Metal lever handle 	<p>.002 Polished Chrome .099 Polished Brass (PVD) .295 Satin Nickel (PVD)</p> <p>.002 Polished Chrome .099 Polished Brass (PVD) .295 Satin Nickel (PVD)</p> <p>.002 Polished Chrome .099 Polished Brass (PVD) .295 Satin Nickel (PVD)</p>	

Trim Kits for R110, R110SS, R115, R115SS, R010, R015, R117, R117SS rough valve bodies. Showerhead with 2.5gpm/9.5L/min. maximum flow. **TRIM KITS ONLY. VALVE MUST BE ORDERED SEPARATELY.**

Trim Kit	Model # Description	*Finishes	Roughing-In Dimensions
 <p>ENFIELD</p>	<p>T373.522 BATH/SHOWER Trim Kit</p> <ul style="list-style-type: none"> • Metal wall escutcheon • Metal cross handle • Cast brass shower arm • 3-1/4" adjustable showerhead • Cast brass diverter tub spout with I.P.S. connection <p>T373.521 SHOWER ONLY Trim Kit</p> <ul style="list-style-type: none"> • Metal wall escutcheon • Metal cross handle • Cast brass shower arm • 3-1/4" adjustable showerhead <p>T373.520 VALVE ONLY Trim Kit</p> <ul style="list-style-type: none"> • Metal wall escutcheon • Metal cross handle 	<p>.002 Polished Chrome .008 Polished Nickel .068 Blackened Bronze (PVD) .099 Polished Brass (PVD) .295 Satin Nickel (PVD)</p>	
 <p>ENFIELD</p>	<p>T373.502 BATH/SHOWER Trim Kit</p> <ul style="list-style-type: none"> • Metal wall escutcheon • Metal lever handle • Cast brass shower arm • 3-1/4" adjustable showerhead • Cast brass diverter tub spout with I.P.S. connection <p>T373.501 SHOWER ONLY Trim Kit</p> <ul style="list-style-type: none"> • Metal wall escutcheon • Metal lever handle • Cast brass shower arm • 3-1/4" adjustable showerhead <p>T373.500 VALVE ONLY Trim Kit</p> <ul style="list-style-type: none"> • Metal wall escutcheon • Metal lever handle 	<p>.002 Polished Chrome .008 Polished Nickel .068 Blackened Bronze (PVD) .099 Polished Brass (PVD) .295 Satin Nickel (PVD)</p>	
 <p>AMARILIS</p>	<p>T335.000 BATH/SHOWER Trim Kit</p> <ul style="list-style-type: none"> • Brass wall escutcheon • "Vario" adjustable showerhead • Cast brass shower arm • Cast brass diverter tub spout • LESS Handle • LESS Valve <p>T332.000 BATH/SHOWER Trim Kit</p> <ul style="list-style-type: none"> • Brass wall escutcheon • "Vario" adjustable showerhead • Cast brass shower arm • LESS Handle • LESS Valve <p>T331.000 BATH/SHOWER Trim Kit</p> <ul style="list-style-type: none"> • Brass wall escutcheon • LESS Handle • LESS Valve 	<p>.002 Polished Chrome .008 Polished Nickel .099 Polished Brass (PVD) .221 Satin (PVD)/Pol. Chrome mix. .295 Satin Nickel (PVD) .297 Satin/Brass (PVD) mix. .299 Pol. Chrome/Brass (PVD) mix.</p>	
 <p>AMARILIS</p>	<p>T345.000 BATH/SHOWER Trim Kit</p> <ul style="list-style-type: none"> • Brass wall escutcheon • Rain showerhead • Cast brass shower arm • Cast brass diverter tub spout • LESS Handle • LESS Valve <p>T342.000 BATH/SHOWER Trim Kit</p> <ul style="list-style-type: none"> • Brass wall escutcheon • Rain showerhead • Cast brass shower arm • LESS Handle • LESS Valve <p>T341.000 BATH/SHOWER Trim Kit</p> <ul style="list-style-type: none"> • Brass wall escutcheon • LESS Handle • LESS Valve 	<p>.002 Polished Chrome .008 Polished Nickel .068 Blackened Bronze (PVD) .099 Polished Brass (PVD) .221 Satin (PVD)/Pol.Chrome mix. .295 Satin Nickel (PVD) .297 Satin/Brass mixage (PVD) .299 Pol. Chrome/Brass (PVD) mix.</p>	

The above fittings will accept the following Amarilis-Series handles.

451	441	461	431	551	541	571	901 911	861

*EverClean™ Finish:

- Offered on: Polished Chrome (002), Stainless Steel (075), Polished Brass (099) and Satin Nickel (295) finish. (and any combination of these finishes).
- One wipe effortlessly removes spots.
- Eliminates the need for cleaners and scrubbing.

EverClean Finish is offered on Tropic, One, Town Square, Enfield and Amarilis.