

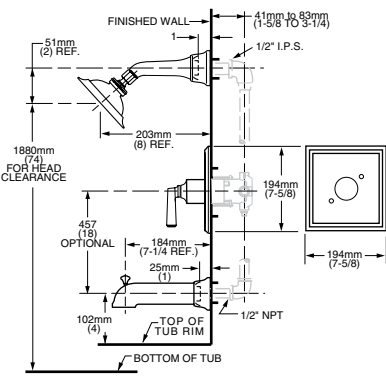

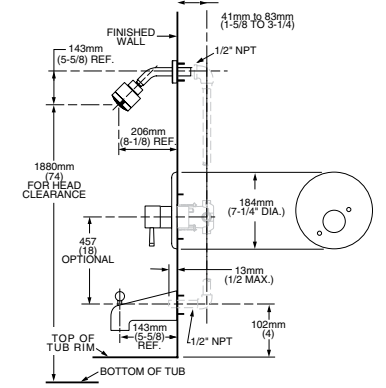

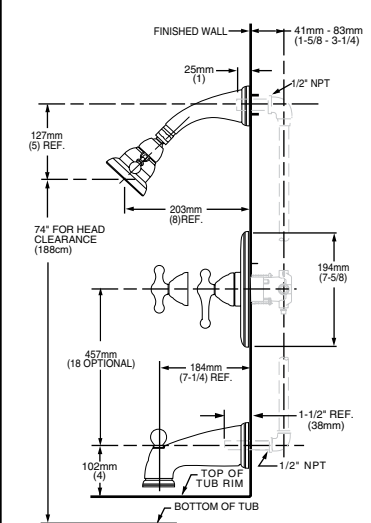

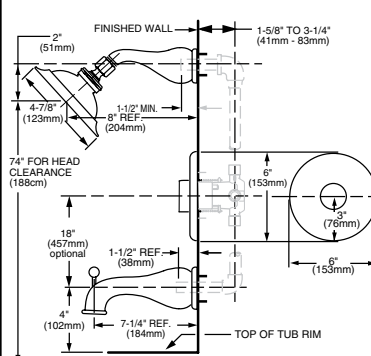
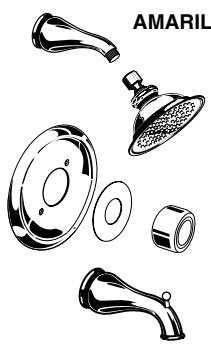
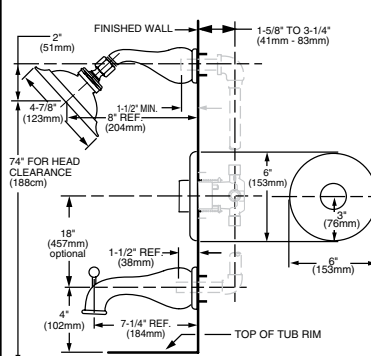







**Trim Kits** for R110, R110SS, R115, R115SS, R010, R015, R117, R117SS rough valve bodies. Showerhead with 2.5gpm/9.5L/min. maximum flow. **TRIM KITS ONLY. VALVE MUST BE ORDERED SEPARATELY.**

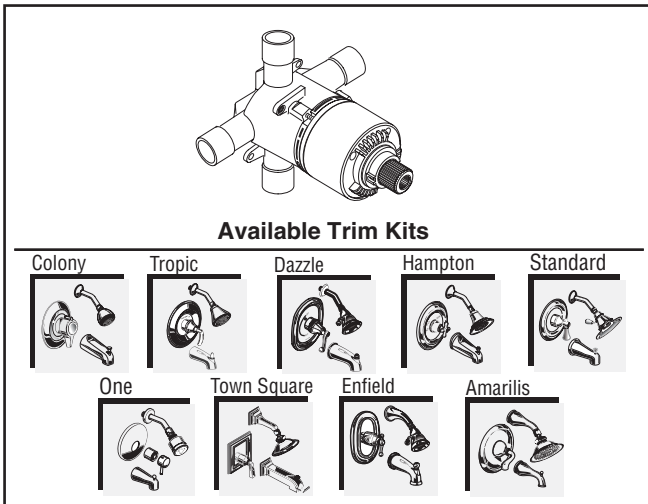
Trim Kit	Model # Description	Finishes	Roughing-In Dimensions
<p><b>TOWN SQUARE</b></p>  <p></p>	<p><b>T555.502 BATH/SOWER Trim Kit</b></p> <ul style="list-style-type: none"> <li>• Metal wall escutcheon</li> <li>• Metal lever handle</li> <li>• Cast brass shower arm</li> <li>• 4 1/2" Rain showerhead</li> <li>• Cast brass diverter tub spout with I.P.S. connection</li> </ul> <p><b>T555.501 SHOWER ONLY Trim Kit</b></p> <ul style="list-style-type: none"> <li>• Metal wall escutcheon</li> <li>• Metal lever handle</li> <li>• Cast brass shower arm</li> <li>• 4 1/2" Rain showerhead</li> </ul> <p><b>T555.500 VALVE ONLY Trim Kit</b></p> <ul style="list-style-type: none"> <li>• Metal wall escutcheon</li> <li>• Metal lever handle</li> </ul>	<p>.002 Polished Chrome .068 Blackened Bronze (PVD) .295 Satin Nickel (PVD)</p> <p>.002 Polished Chrome .068 Blackened Bronze (PVD) .295 Satin Nickel (PVD)</p> <p>.002 Polished Chrome .068 Blackened Bronze (PVD) .295 Satin Nickel (PVD)</p>	
<p><b>ONE</b></p> 	<p><b>T064.502 BATH/SOWER Trim Kit</b></p> <ul style="list-style-type: none"> <li>• Brass wall escutcheon</li> <li>• Adjustable "3 function" showerhead</li> <li>• Cast brass diverter tub spout</li> <li>• LESS Valve</li> </ul> <p><b>T064.501 SHOWER ONLY Trim Kit</b></p> <ul style="list-style-type: none"> <li>• Brass wall escutcheon</li> <li>• Adjustable "3 function" showerhead</li> <li>• LESS Valve</li> </ul> <p><b>T064.500 VALVE ONLY Trim Kit</b></p> <ul style="list-style-type: none"> <li>• Brass wall escutcheon</li> <li>• LESS Valve</li> </ul>	<p>.002 Polished Chrome .295 Satin Nickel (PVD)</p> <p>.002 Polished Chrome .295 Satin Nickel (PVD)</p> <p>.002 Polished Chrome .295 Satin Nickel (PVD)</p>	

Trim Kits for R110, R110SS, R115, R115SS, R010, R015, R117, R117SS rough valve bodies. Showerhead with 2.5gpm/9.5L/min. maximum flow. **TRIM KITS ONLY. VALVE MUST BE ORDERED SEPARATELY.**

Trim Kit	Model # Description	Finishes	Roughing-In Dimensions
 <p><b>ENFIELD</b></p>	<p><b>T373.522 BATH/SHOWER Trim Kit</b></p> <ul style="list-style-type: none"> <li>• Metal wall escutcheon</li> <li>• Metal cross handle</li> <li>• Cast brass shower arm</li> <li>• 3-1/4" adjustable showerhead</li> <li>• Cast brass diverter tub spout with I.P.S. connection</li> </ul> <p><b>T373.521 SHOWER ONLY Trim Kit</b></p> <ul style="list-style-type: none"> <li>• Metal wall escutcheon</li> <li>• Metal cross handle</li> <li>• Cast brass shower arm</li> <li>• 3-1/4" adjustable showerhead</li> </ul> <p><b>T373.520 VALVE ONLY Trim Kit</b></p> <ul style="list-style-type: none"> <li>• Metal wall escutcheon</li> <li>• Metal cross handle</li> </ul>	<p>.002 Polished Chrome .008 Polished Nickel .068 Blackened Bronze (PVD) .295 Satin Nickel (PVD)</p>	
 <p><b>ENFIELD</b></p>	<p><b>T373.502 BATH/SHOWER Trim Kit</b></p> <ul style="list-style-type: none"> <li>• Metal wall escutcheon</li> <li>• Metal lever handle</li> <li>• Cast brass shower arm</li> <li>• 3-1/4" adjustable showerhead</li> <li>• Cast brass diverter tub spout with I.P.S. connection</li> </ul> <p><b>T373.501 SHOWER ONLY Trim Kit</b></p> <ul style="list-style-type: none"> <li>• Metal wall escutcheon</li> <li>• Metal lever handle</li> <li>• Cast brass shower arm</li> <li>• 3-1/4" adjustable showerhead</li> </ul> <p><b>T373.500 VALVE ONLY Trim Kit</b></p> <ul style="list-style-type: none"> <li>• Metal wall escutcheon</li> <li>• Metal lever handle</li> </ul>	<p>.002 Polished Chrome .008 Polished Nickel .068 Blackened Bronze (PVD) .295 Satin Nickel (PVD)</p>	
 <p><b>AMARILIS</b></p>	<p><b>T345.000 BATH/SHOWER Trim Kit</b></p> <ul style="list-style-type: none"> <li>• Brass wall escutcheon</li> <li>• Rain showerhead</li> <li>• Cast brass shower arm</li> <li>• Cast brass diverter tub spout</li> <li>• LESS Handle</li> <li>• LESS Valve</li> </ul> <p><b>T342.000 BATH/SHOWER Trim Kit</b></p> <ul style="list-style-type: none"> <li>• Brass wall escutcheon</li> <li>• Rain showerhead</li> <li>• Cast brass shower arm</li> <li>• LESS Handle</li> <li>• LESS Valve</li> </ul> <p><b>T341.000 BATH/SHOWER Trim Kit</b></p> <ul style="list-style-type: none"> <li>• Brass wall escutcheon</li> <li>• LESS Handle</li> <li>• LESS Valve</li> </ul>	<p>.002 Polished Chrome .008 Polished Nickel .068 Blackened Bronze (PVD) .068 Polished Brass (PVD) .099 Polished Brass (PVD) .295 Satin Nickel (PVD) .297 Satin/Brass mixage (PVD) .299 Pol. Chrome/Brass (PVD) mix.</p>	

The above fittings will accept the following Amarisil-Series handles.

				
Metal Lever	Perfume Bottle	Metal Cross	Porcelain Lever	Lexington
441	431	551	571	901



R110 Valve Body Shown

### GENERAL DESCRIPTION:

Cast brass body, washerless ceramic disc valve cartridge with back-to-back capability and hot limit safety stop. Cycles from "off" to "cold" to "hot". Pressure balancing cartridge maintains constant output temperature in response to changes in relative hot and cold supply pressure. One-half inch inlets and outlets (choice of direct sweat, threaded, or PEX). Available with screwdriver stops. Rough-in plaster guard designed for use as thin-wall mounting adaptor. Valve body will accept a variety of decorative Bath/Shower trims.

### PRODUCT FEATURES:

**Cast Brass Valve Body:** Durable - Quality that will last a lifetime. Ideal material for prolonged contact with water.

**Ceramic Disc Valve Cartridge:** Assures a lifetime of drip-free performance. Allows easy fine tuning of temperature (125° handle rotation from off to hot).

**Pressure Balancing Valve Cartridge:** Maintains constant output temperature in response to changes in hot and cold supply pressure. Diaphragm system engineered to eliminate cross flow. Avoids failure due to mineral deposits - ideal for use in hard water

**Back-to-Back Capability:** Hot and cold can be reversed quickly and easily.

**Adjustable Hot Limit Safety Stop:** Limits the amount of hot water allowed to mix with cold. Reduces the risk of accidental scalding.

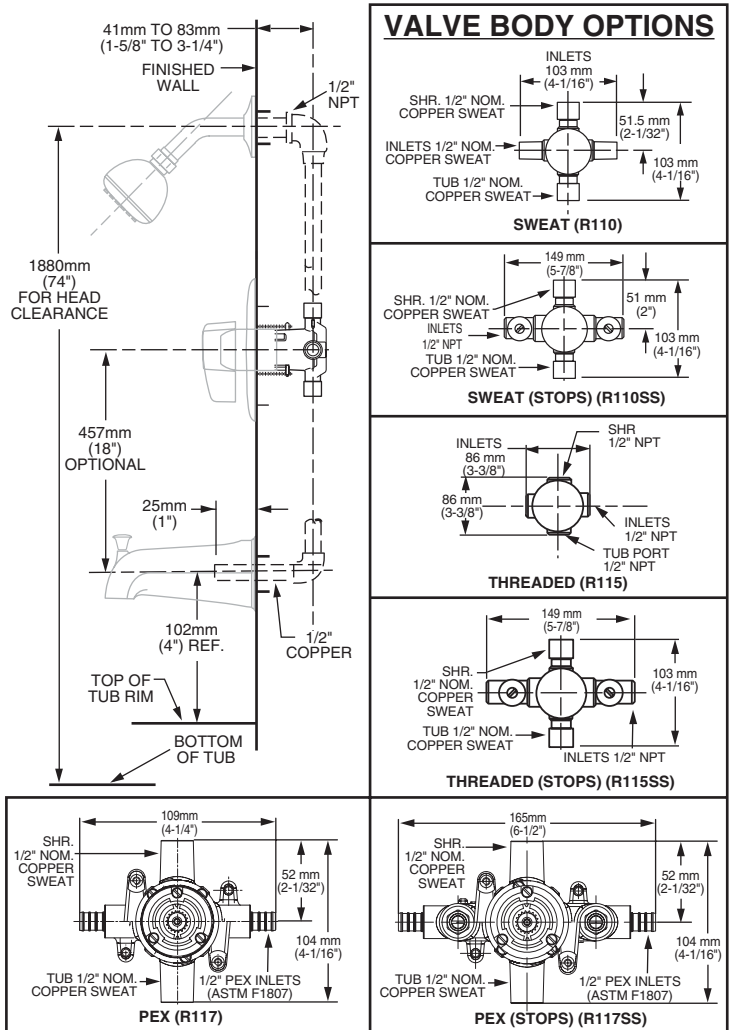
**Exclusive Plaster Guard:** Plaster guard is designed to protect valve during installation and serve as a mounting plate for thin-wall installations. 2 piece design allows valve to be tested prior to trim installation.

**Wide Rough-in Range:** From 1-5/8" to 3-1/4".

### MODEL NUMBER:

- R110 Pressure Balance Rough Valve Body only**  
Direct sweat inlets/outlets. LESS trim.
- R110SS Pressure Balance Rough Valve Body only with Screwdriver stops**  
Direct sweat inlets/outlets. Screwdriver stops. LESS trim.
- R115 Pressure Balance Rough Valve Body only**  
Female thread inlets/outlets. LESS trim.
- R115SS Pressure Balance Rough Valve Body only with Screwdriver stops**  
Female thread inlets/outlets. Screwdriver stops. LESS trim.
- R117 Pressure Balance Rough Valve Body only**  
PEX inlets/Direct sweat outlets. LESS trim.
- R117SS Pressure Balance Rough Valve Body only with Screwdriver stops**  
PEX inlets/Direct sweat outlets. Screwdriver stops. LESS trim.

See reverse for available trim kits.



### SUGGESTED SPECIFICATION:

Bath/shower fitting shall feature a cast brass body. Shall feature ceramic disc valve cartridge which is capable of back-to-back installation. Fitting shall be equipped with pressure balancing cartridge engineered to eliminate cross flow and avoid failure due to mineral deposits. Shall also feature hot limit safety stop. Fitting shall be: Rough Valve Body - American Standard Model # R11\_\_\_\_, Trim Kit - American Standard Model # \_\_\_\_\_.

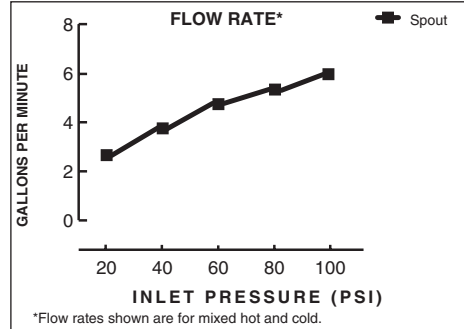
## UPGRADABLE PRESSURE BALANCE BATH/SOWER FITTING TEMPERATURE CONTROL VALVE

### Valve + Trim: Trim Kit & Valve Body Packaged Separately

To order: Specify valve body **and** trim kit desired

Example: R110 - Direct Sweat Valve Body

T215.710 - Hampton Bath/Shower Trim Kit (Porcelain Lever Handle)



### CODES AND STANDARDS

These products meet or exceed the following codes and standards:

ASSE 1016  
ASME A112.18.1  
CSA B 125

• Showerhead with 2.5gpm/9.5L.min. flow restrictor.

VALVES						
	R110	R110SS	R115	R115SS	R117	R117SS
	Direct Sweat Inlets/Outlets	Direct Sweat Inlets/Outlets w/ Screwdriver Stops	Female Thread Inlets/Outlets	Female Thread Inlets/Outlets w/ Screwdriver Stops	PEX Inlets/Direct Sweat Outlets	PEX Inlets/Direct Sweat Outlets w/ Screwdriver Stops

TRIM KITS		Colony*	Tropic	Dazzle	Hampton**	Standard	Town Square	One	Enfield***	Amarilis****
	B/S	T375.XXX	T038.502	T028.502	T215.7XX	T6181	T555.502	T064.502	T373.5X2	T345.000
	Shower	T372.XXX	T038.501	T028.501	T212.7XX	T6180	T555.501	T064.501	T373.5X1	T342.000
	Valve	T371.XXX	T038.500	T028.500	T211.7XX	T6179	T555.500	T064.500	T373.5X0	T341.000

### NOTES:

\* COLONY with 2.5 showerhead      with FloWise® showerhead

Lever Handle 120	Metal Lever Handle 240	Lever Handle 128	Metal Lever Handle 248

#### \*\* HAMPTON

available with choice of three handles.

to order: specify the three digit handle number

ex) T211.710 (valve only trim kit w/ porcelain lever handle)

Porcelain Lever 710	Metal Cross 720	Metal Lever 730

\*\*\* ENFIELD available with lever or cross handle

Lever Handle 500	Cross Handle 520



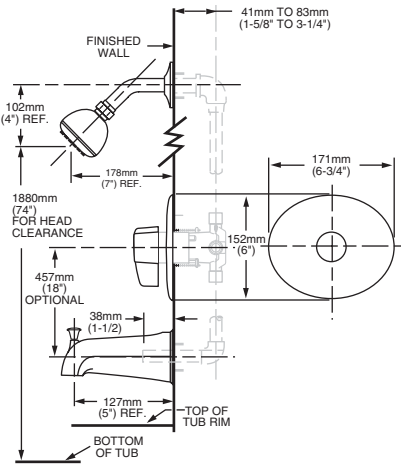
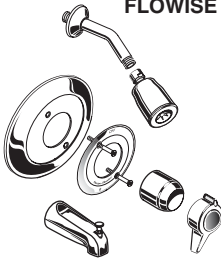

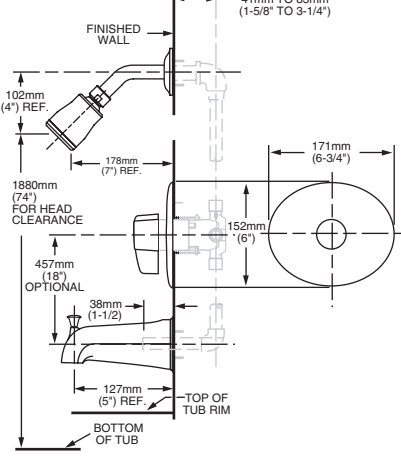
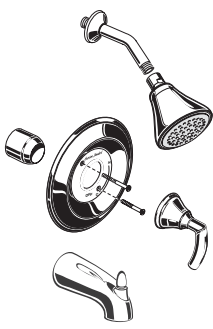

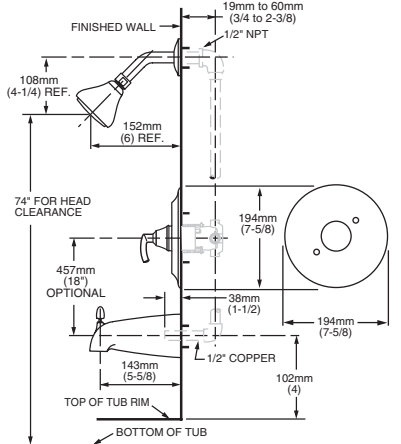
#### \*\*\*\* AMARILIS

trim kits are less handles--must be ordered separately.

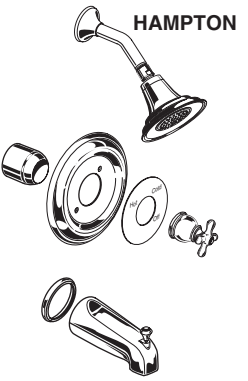
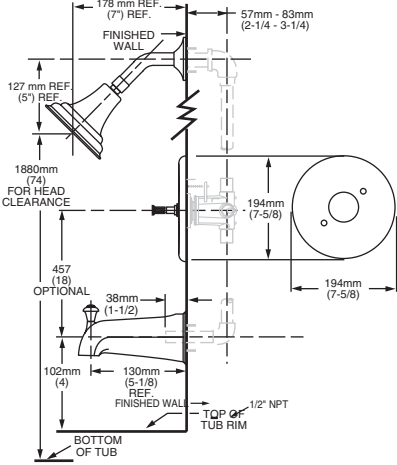
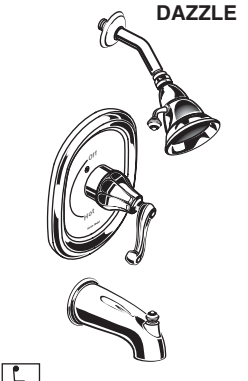
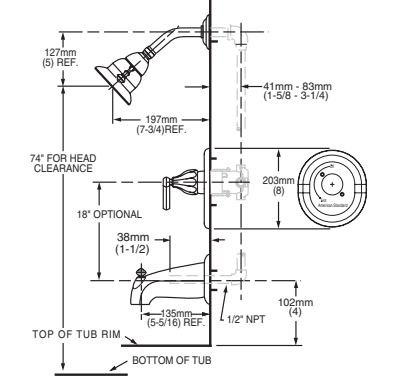

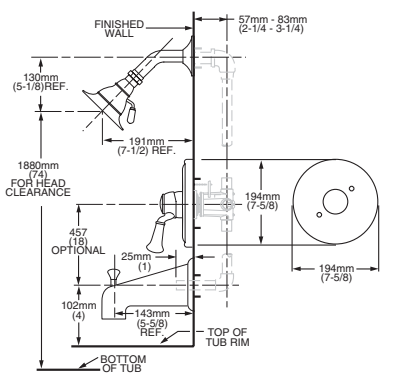



the following handle kits are available:

Metal Cross 551	Metal Lever 441	Metal Lever 541	Perfume Bottle 431
Lexington 901			

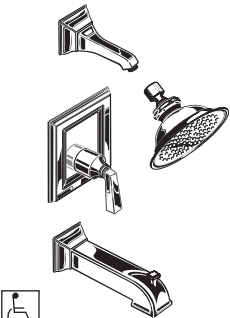

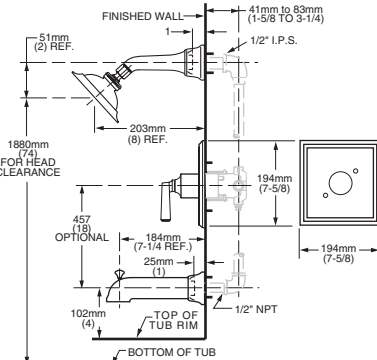


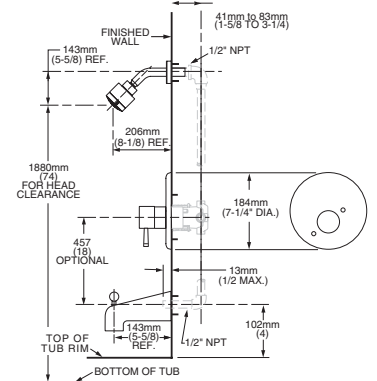
Trim Kits for R110, R110SS, R115, R115SS, R117, R117SS rough valve bodies. Showerhead with 2.5gpm/9.5L/min. maximum flow.  
**TRIM KITS ONLY. VALVE MUST BE ORDERED SEPARATELY.**

Trim Kit	Model # Description	Finishes	Roughing-In Dimensions
<p><b>COLONY</b></p>  	<p><b>T375.120 BATH/SHOWER Trim Kit</b></p> <ul style="list-style-type: none"> <li>• Wall escutcheon</li> <li>• Lever handle</li> <li>• "Easy Clean" Showerhead</li> <li>• Shower arm and flange</li> <li>• Slip-on Diverter tub spout</li> </ul> <p><b>T375.240 SAME AS ABOVE</b></p> <ul style="list-style-type: none"> <li>• With Metal lever handle</li> </ul> <p><b>T372.120 SHOWER ONLY Trim Kit</b></p> <ul style="list-style-type: none"> <li>• Wall escutcheon</li> <li>• Lever handle</li> <li>• "Easy Clean" Showerhead</li> <li>• Shower arm and flange</li> </ul> <p><b>T372.240 SAME AS ABOVE</b></p> <ul style="list-style-type: none"> <li>• With Metal lever handle</li> </ul> <p><b>T371.120 VALVE ONLY Trim Kit</b></p> <ul style="list-style-type: none"> <li>• Wall escutcheon</li> <li>• Lever handle</li> </ul> <p><b>T371.240 SAME AS ABOVE</b></p> <ul style="list-style-type: none"> <li>• With Metal lever handle</li> </ul>	<p>.002 Polished Chrome</p>	
<p><b>COLONY WITH FLOWISE</b></p>  	<p><b>T375.128 BATH/SHOWER Trim Kit</b></p> <ul style="list-style-type: none"> <li>• Wall escutcheon</li> <li>• Lever handle</li> <li>• Water Saving FloWise® Showerhead</li> <li>• Angle adjustable</li> <li>• Showerhead, arm and flange</li> <li>• Diverter tub spout</li> <li>• Less valve</li> </ul> <p><b>T375.248 SAME AS ABOVE</b></p> <ul style="list-style-type: none"> <li>• Metal Lever handle</li> </ul> <p><b>T372.128 BATH/SHOWER Trim Kit</b></p> <ul style="list-style-type: none"> <li>• Wall escutcheon</li> <li>• Lever handle</li> <li>• Water Saving FloWise® Showerhead</li> <li>• Angle adjustable</li> <li>• Showerhead, arm and flange</li> <li>• Less valve</li> </ul> <p><b>T372.248 SAME AS ABOVE</b></p> <ul style="list-style-type: none"> <li>• Metal Lever handle</li> </ul>	<p>.002 Polished Chrome</p>	
<p><b>TROPIC</b></p>  	<p><b>T038.502 BATH/SHOWER Trim Kit</b></p> <ul style="list-style-type: none"> <li>• Metal Lever handle</li> <li>• Brass wall escutcheon</li> <li>• Showerhead, arm and flange</li> <li>• Slip-on Diverter tub spout</li> </ul> <p><b>T038.501 SHOWER ONLY Trim Kit</b></p> <ul style="list-style-type: none"> <li>• Metal Lever handle</li> <li>• Brass wall escutcheon</li> <li>• Showerhead, arm and flange</li> </ul> <p><b>T038.500 SHOWER ONLY Trim Kit</b></p> <ul style="list-style-type: none"> <li>• Metal Lever handle</li> <li>• Brass wall escutcheon</li> </ul>	<p>.002 Polished Chrome .295 Satin Nickel (PVD)</p> <p>.002 Polished Chrome .295 Satin Nickel (PVD)</p> <p>.002 Polished Chrome .295 Satin Nickel (PVD)</p>	

Trim Kits for R110, R110SS, R115, R115SS, R010, R015, R117, R117SS rough valve bodies. Showerhead with 2.5gpm/9.5L/min. maximum flow. **TRIM KITS ONLY. VALVE MUST BE ORDERED SEPARATELY.**

Trim Kit	Model # Description	Finishes	Roughing-In Dimensions
 <p><b>HAMPTON</b></p>	<p><b>T215.7XX BATH/SHOWER Trim Kit</b></p> <ul style="list-style-type: none"> <li>• Brass wall escutcheon</li> <li>• Adjustable brass Showerhead</li> <li>• Shower arm and flange</li> <li>• Slip-on diverter tub spout</li> </ul> <p><b>T212.7XX SHOWER ONLY Trim Kit</b></p> <ul style="list-style-type: none"> <li>• Brass wall escutcheon</li> <li>• Adjustable brass Showerhead</li> <li>• Shower arm and flange</li> </ul> <p><b>T211.7XX VALVE ONLY Trim Kit</b></p> <ul style="list-style-type: none"> <li>• Brass wall escutcheon</li> </ul>	<p><b>Porcelain Lever, Metal Cross Handle Finishes</b></p> <p>.002 Polished Chrome .099 Polished Brass (PVD) .295 Satin Nickel (PVD)</p> <p><b>Metal Lever Handle Finishes</b></p> <p>.002 Polished Chrome .068 Blackened Bronze (PVD) .099 Polished Brass (PVD) .221 Satin (PVD)/Pol. Chrome mix. .295 Satin Nickel (PVD) .297 Satin/Brass (PVD) mix. .299 Pol. Chrome/Brass (PVD) mix.</p>	
 <p><b>DAZZLE</b></p>	<p><b>T028.502 BATH/SHOWER Trim Kit</b></p> <ul style="list-style-type: none"> <li>• Metal Lever Handle</li> <li>• Brass wall escutcheon</li> <li>• Showerhead, arm and flange</li> <li>• Slip-on diverter tub spout</li> </ul> <p><b>T028.501 SHOWER ONLY Trim Kit</b></p> <ul style="list-style-type: none"> <li>• Metal Lever Handle</li> <li>• Brass wall escutcheon</li> <li>• Showerhead, arm and flange</li> </ul> <p><b>T028.500 VALVE ONLY Trim Kit</b></p> <ul style="list-style-type: none"> <li>• Metal Lever Handle</li> <li>• Brass wall escutcheon</li> </ul>	<p>.002 Polished Chrome .068 Blackened Bronze (PVD) .295 Satin Nickel (PVD)</p> <p>.002 Polished Chrome .068 Blackened Bronze (PVD) .295 Satin Nickel (PVD)</p> <p>.002 Polished Chrome .068 Blackened Bronze (PVD) .295 Satin Nickel (PVD)</p>	
 <p><b>STANDARD</b></p>	<p><b>T6181 BATH/SHOWER Trim Kit</b></p> <ul style="list-style-type: none"> <li>• Metal wall escutcheon</li> <li>• Porcelain lever handle</li> <li>• 5" adjustable showerhead</li> <li>• Cast brass diverter tub spout with I.P.S. connection</li> </ul> <p><b>T6180 SHOWER ONLY Trim Kit</b></p> <ul style="list-style-type: none"> <li>• Metal wall escutcheon</li> <li>• Porcelain lever handle</li> <li>• 5" adjustable showerhead</li> </ul> <p><b>T6179 VALVE ONLY Trim Kit</b></p> <ul style="list-style-type: none"> <li>• Metal wall escutcheon</li> <li>• Porcelain lever handle</li> </ul>	<p>T6181 Polished Chrome T6181S Satin Nickel (PVD)</p> <p>T6180 Polished Chrome T6180S Satin Nickel (PVD)</p> <p>T6179 Polished Chrome T6179S Satin Nickel (PVD)</p>	
<p><b>HAMPTON HANDLE OPTIONS</b></p> <div style="display: flex; justify-content: space-around; align-items: flex-start;"> <div style="text-align: center;">  <p>710 Porcelain* Lever</p> </div> <div style="text-align: center;">  <p>720 Metal Cross</p> </div> <div style="text-align: center;">  <p>730 Metal Lever</p> </div> </div> <p>Hampton available with choice of 3 handles. To order: specify the 3 digit handle number. eg: T211.710 = Hampton Valve Only Trim Kit with Porcelain Lever Handle</p>			

**Trim Kits** for R110, R110SS, R115, R115SS, R010, R015, R117, R117SS rough valve bodies. Showerhead with 2.5gpm/9.5L/min. maximum flow. **TRIM KITS ONLY. VALVE MUST BE ORDERED SEPARATELY.**

Trim Kit	Model # Description	Finishes	Roughing-In Dimensions
<p><b>TOWN SQUARE</b></p>  	<p><b>T555.502 BATH/SHOWER Trim Kit</b></p> <ul style="list-style-type: none"> <li>• Metal wall escutcheon</li> <li>• Metal lever handle</li> <li>• Cast brass shower arm</li> <li>• 4 1/2" Rain showerhead</li> <li>• Cast brass diverter tub spout with I.P.S. connection</li> </ul> <p><b>T555.501 SHOWER ONLY Trim Kit</b></p> <ul style="list-style-type: none"> <li>• Metal wall escutcheon</li> <li>• Metal lever handle</li> <li>• Cast brass shower arm</li> <li>• 4 1/2" Rain showerhead</li> </ul> <p><b>T555.500 VALVE ONLY Trim Kit</b></p> <ul style="list-style-type: none"> <li>• Metal wall escutcheon</li> <li>• Metal lever handle</li> </ul>	<p>.002 Polished Chrome .068 Blackened Bronze (PVD) .295 Satin Nickel (PVD)</p> <p>.002 Polished Chrome .068 Blackened Bronze (PVD) .295 Satin Nickel (PVD)</p> <p>.002 Polished Chrome .068 Blackened Bronze (PVD) .295 Satin Nickel (PVD)</p>	
<p><b>ONE</b></p>  	<p><b>T064.502 BATH/SHOWER Trim Kit</b></p> <ul style="list-style-type: none"> <li>• Brass wall escutcheon</li> <li>• Adjustable "3 function" showerhead</li> <li>• Cast brass diverter tub spout</li> <li>• LESS Valve</li> </ul> <p><b>T064.501 SHOWER ONLY Trim Kit</b></p> <ul style="list-style-type: none"> <li>• Brass wall escutcheon</li> <li>• Adjustable "3 function" showerhead</li> <li>• LESS Valve</li> </ul> <p><b>T064.500 VALVE ONLY Trim Kit</b></p> <ul style="list-style-type: none"> <li>• Brass wall escutcheon</li> <li>• LESS Valve</li> </ul>	<p>.002 Polished Chrome .295 Satin Nickel (PVD)</p> <p>.002 Polished Chrome .295 Satin Nickel (PVD)</p> <p>.002 Polished Chrome .295 Satin Nickel (PVD)</p>	

*American Standard*

**TOWNSQUARE**  
**BATH/SHOWER TRIM KIT**  
with EverClean™ Finish

Congratulations on purchasing your American Standard faucet with EverClean finish found only on American Standard faucets.

**EverClean Finish**

- One wipe effortlessly removes spots
- Eliminates the need for cleaners and scrubbing
- Permanent surface protectant remains beautiful for the life of the faucet
- EverClean™ available on: Polished Chrome, Satin Nickel, Stainless Steel, Polished Brass (or any combination of these finishes)

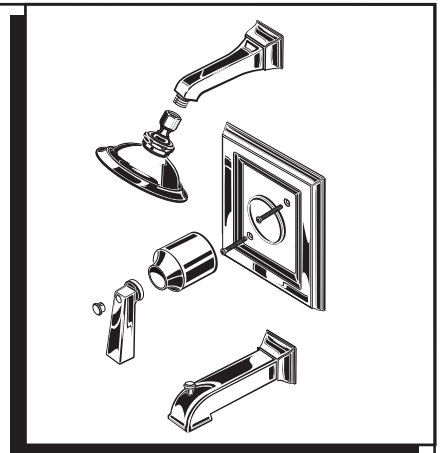
To ensure that your installation proceeds smoothly-please read these instructions carefully before you begin.

**Installation**  
**Instructions**

**T555.500**

**T555.501**

**T555.502**



Certified to comply with ANSI A112.18.1

M968235 Rev. 1.1

**Required Tools**



Phillips Screwdriver



Flat Blade Screwdriver



Adjustable Wrench



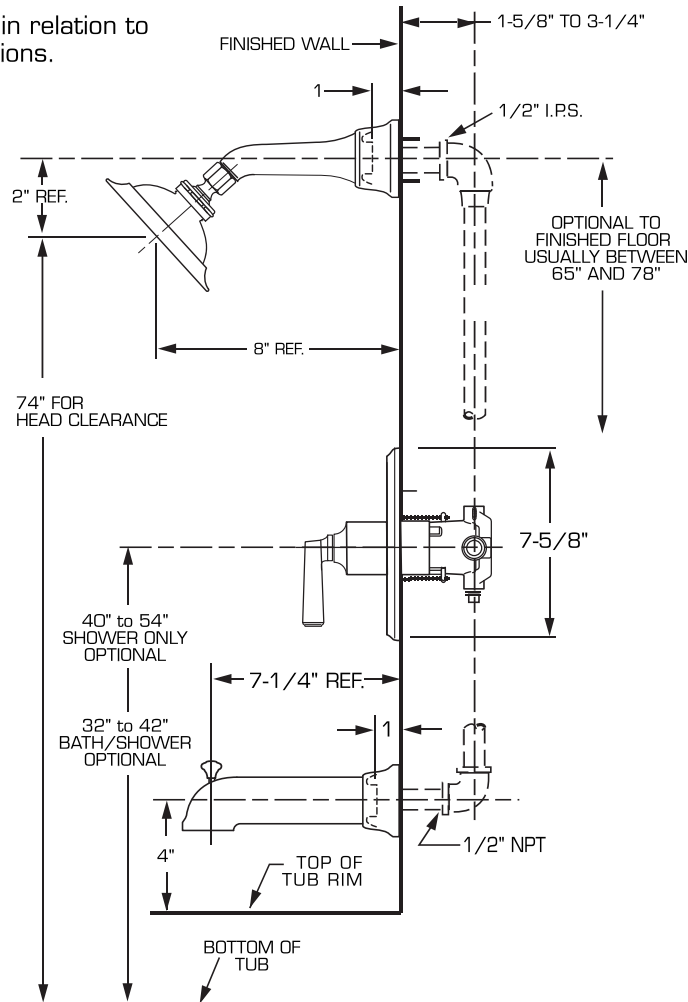
Channel Locks



Plumbers' Putty or Caulking

**ROUGHING-IN DIMENSIONS**

- To assure proper positioning in relation to wall, note roughing-in dimensions.

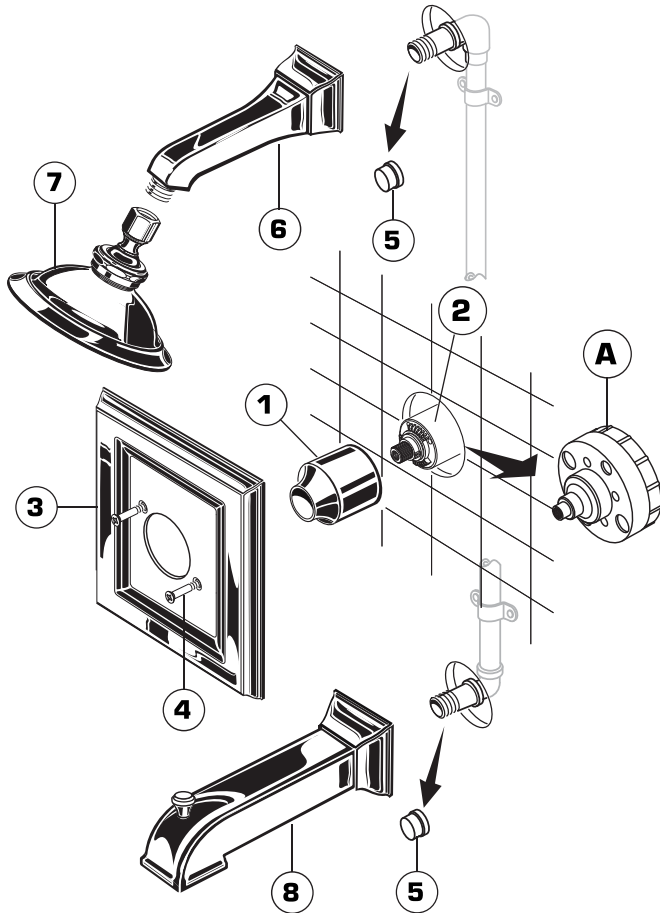




# 1 INSTALL TRIM

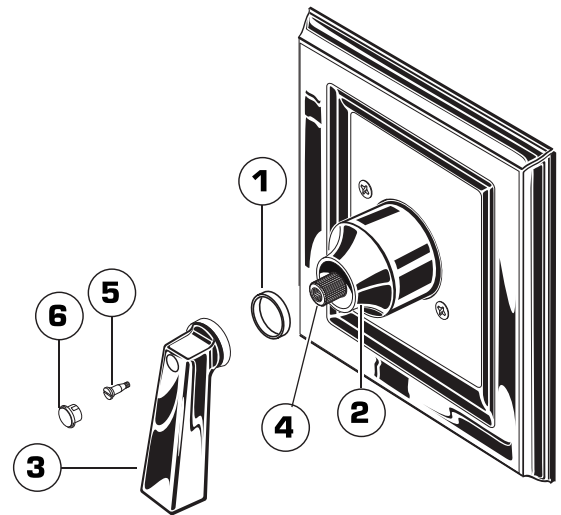
**CAUTION: Protect finish on SHOWER ARM, SHOWER HEAD and TUB SPOUT when installing.**

- When finished tiling the wall, remove PLASTER GUARD (A) and turn off water supply.
- Push CAP (1) over VALVE CARTRIDGE (2).
- Mount ESCUTCHEON (3) to valve body with SCREWS (4).
- Remove PIPE CAPS (5) from shower pipe and tub filler pipe.
- Install SHOWER ARM (6), SHOWER HEAD (7) and TUB FILLER SPOUT (8) by threading onto pipe nipples using teflon tape or pipe sealant.



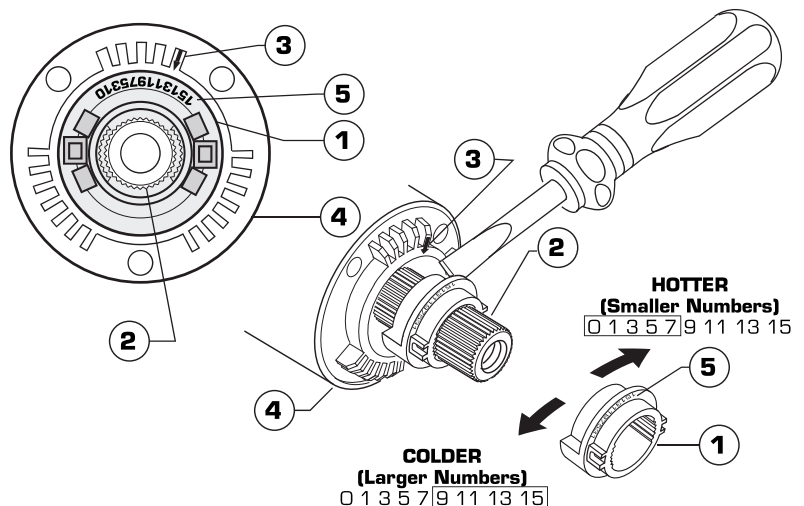
# 2 INSTALL HANDLE

- Install HANDLE BUSHING (1) onto CAP (2).
- Find correct position of HANDLE (3) and push HANDLE (3) onto VALVE STEM (4).
- Install HANDLE SCREW (5) and push in INDEX CAP (6).
- Check proper operation of HANDLE.
- Turn water supply on and test installed fitting. Operate valve and diverter spout.



# 3 ADJUST HOT LIMIT STOP

- By restricting HANDLE rotation and limiting the amount of hot water allowed to mix with the cold, the HOT LIMIT SAFETY STOP (1) reduces risk of accidental scalding. To set the maximum hot water temperature of your faucet, you need to adjust the setting on the HOT LIMIT SAFETY STOP (1).
- Turn CARTRIDGE STEM (2) to the OFF position (coldest setting) before making adjustment to HOT LIMIT STOP (1). Use a flat blade screwdriver to pry free the HOT LIMIT SAFETY STOP (1). Pull forward and rotate counterclockwise one number to limit hot water temperature. Use ARROW (3) on CARTRIDGE (4) and NUMBERS (5) on HOT LIMIT STOP (1) for indication.



## 4 TO GAIN ACCESS TO VALVE FOR SERVICING

- Pull INDEX CAP, unscrew HANDLE SCREW and pull HANDLE off valve stem.
- Remove two SCREWS holding ESCUTCHEON and remove ESCUTCHEON.
- Remove COVER by pulling straight out.
- Shut off water supply by either closing off main water supply, or closing off the hot and cold CHECK STOPS on valve.

### VALVE LEAKS WHEN SHUT OFF

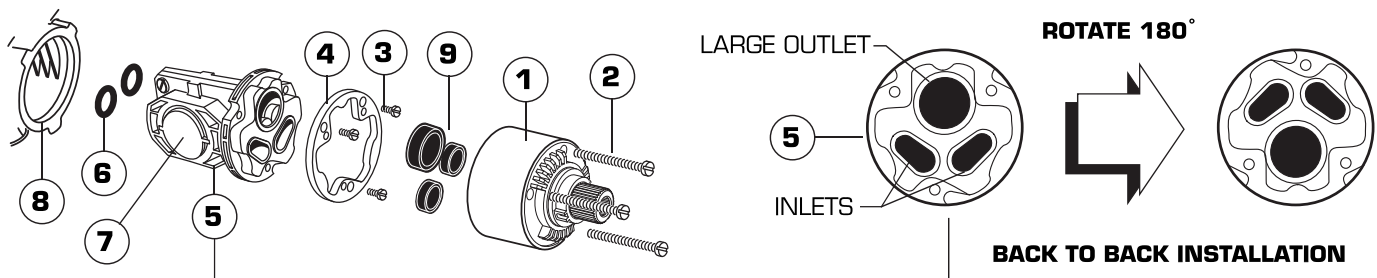
- Remove CARTRIDGE (1) by removing CARTRIDGE SCREWS (2). Remove three SCREWS (3) from FIXATION RING (4) and pull out PRESSURE BALANCING (5) unit.
- Clean SEALS (9) on base of CARTRIDGE (1). Check base of PRESSURE BALANCING UNIT (5) and clean O-RINGS (6). Remove CAPS (7) and check O-RINGS on inside of CAPS (7) for debris. Clean inside sealing surfaces of VALVE BODY (8). Re-assemble PRESSURE BALANCING UNIT (5) and CARTRIDGE (1). Tighten all screws.
- Turn on water supply and see above for installing TRIM and HANDLE. If it still leaks, replace pressure balancing unit (M952100-0070A).

### UNABLE TO MAINTAIN CONSTANT TEMPERATURE

- Remove PRESSURE BALANCE UNIT (5).
- Remove CAPS (7) and clean valve thoroughly.
- Examine balancing unit and check condition of O-ring on end of piston. Piston should move back and forth. Order Repair Part M952100-0070A if balancing unit is defective.
- Replace CAPS (7) and install PRESSURE BALANCE UNIT (5). Make sure inlets line up with two holes in bottom of casting. Top flange should butt-up against top of casting.

### BACK TO BACK INSTALLATION

- Remove PRESSURE BALANCE UNIT (5). Rotate PRESSURE BALANCE UNIT (5) 180° so that the inlets face up and the large outlet port faces down.
- Push PRESSURE BALANCE UNIT (5) in casting make sure inlets line up with holes in bottom of casting. Top flange should butt up against top of casting. Reassemble FIXATION RING (4) and CARTRIDGE (1).



## 5 EverClean™ Finish Care Instructions

American Standard's EverClean finish will wipe clean with a soft, dry cloth. A soft cloth with clean water may also be used, if desired. No additional cleaning products are required.

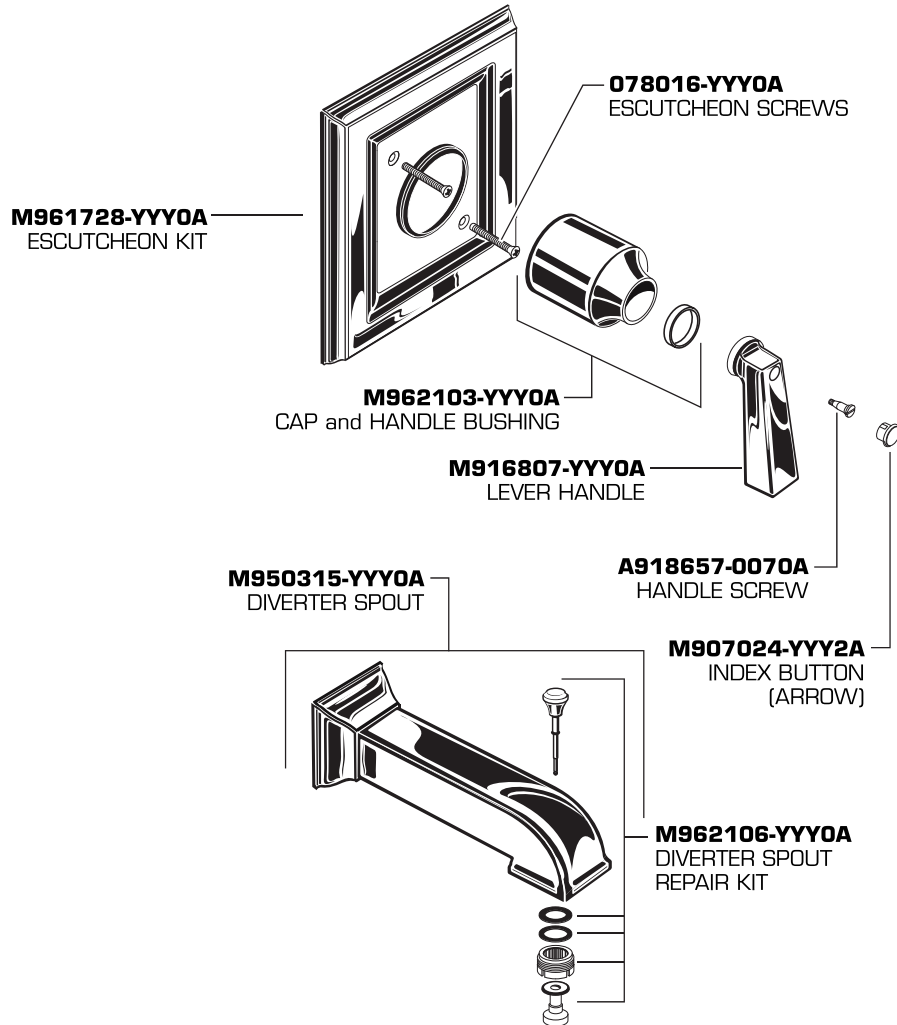
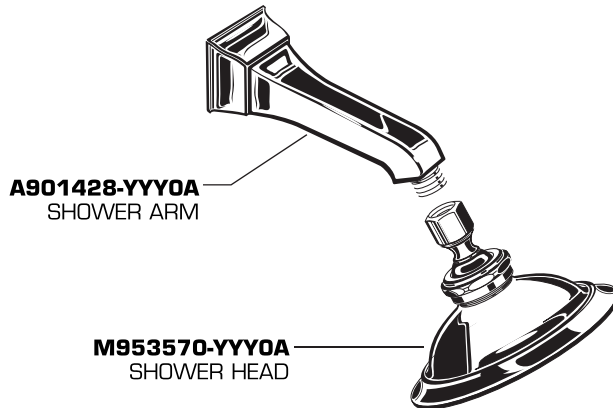
**DO NOT USE:** Soaps, acid, polish, abrasives, harsh cleaners, or a cloth with a coarse surface.

*American Standard*

**TOWNSQUARE  
BATH/SHOWER  
TRIM KIT**

**MODEL NUMBER**

**T555.500  
T555.501  
T555.502**



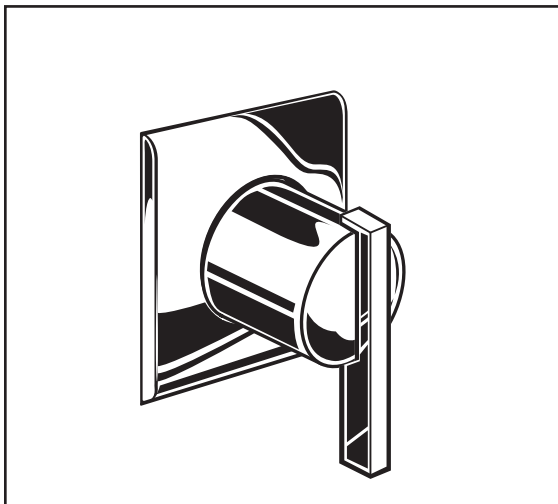
Replace the "YYY" with appropriate finish code

CHROME	002
POLISHED BRASS	099
SATIN	295



**HOT LINE FOR HELP**  
For toll-free information and answers to your questions, call:  
1 (800) 442-1902  
Weekdays 8:00 a.m. to 8:00 p.m. EST  
IN CANADA 1-800-387-0369 (TORONTO 1-905-306-1093)  
Weekdays 8:00 a.m. to 7:00 p.m. EST  
IN MEXICO 01-800-839-12-00

Product names listed herein are trademarks of American Standard Inc.  
© American Standard Inc. 2002



**MODEL NUMBER:**

**TRIM KITS:**

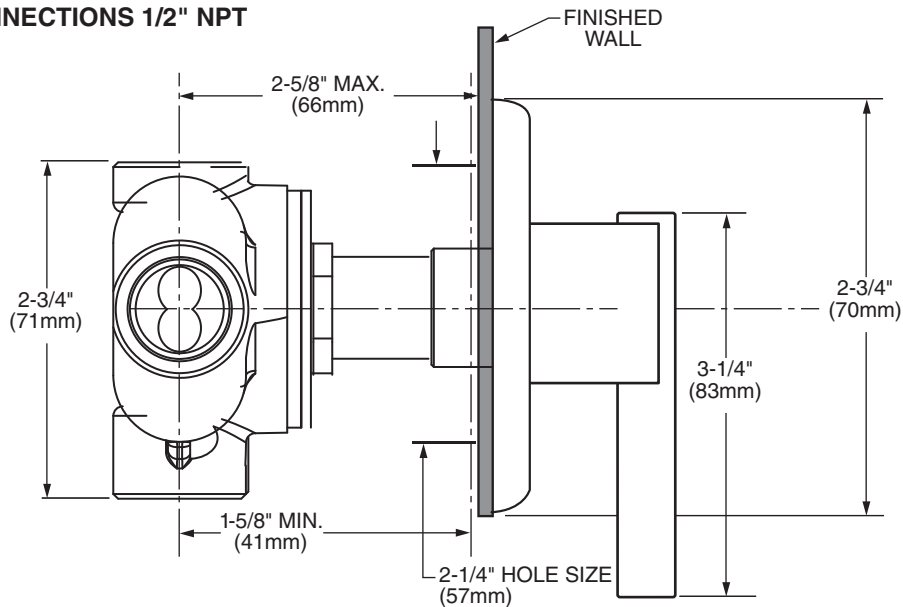
- T184.430 Diverter Valve Trim**  
Valve Trim ONLY. LESS Valve.

**ROUGH VALVE BODIES:**

- R420 Two-Way In-Wall Diverter Valve Rough**  
1/2" NPT inlets/outlets. Less Handle.
- R430 Three-Way In-Wall Diverter Valve Rough**  
1/2" NPT inlets/outlets. Less Handle.

**NOTE:** Cannot be used as a shut-off valve.

**ALL CONNECTIONS 1/2" NPT**



**GENERAL DESCRIPTION:**

In-Wall Diverter: Rotational control alternates water flow between two (R420) or three (R430) different shower outlets (i.e. showerhead, handspray, body side spray or tub spout). Forged brass valve body. Mixed water inlet and two (R420) or three (R430) outlets are marked on back of valve body. 1/2" NPT connections on mixed water inlet and two (R420) or three (R430) outlets. Stamped brass escutcheon. Tub port with increased water flow (see chart).

**NOTE:** Cannot be used as a shut-off valve.

**PRODUCT FEATURES:**

**Solid Brass Construction:** Durable, ideal material for prolonged contact with water.

**Removable Plaster Guard:** Permits checking of valve installation prior to installing trim parts.

**Choice of Finishes:** Wide range of durable finishes.

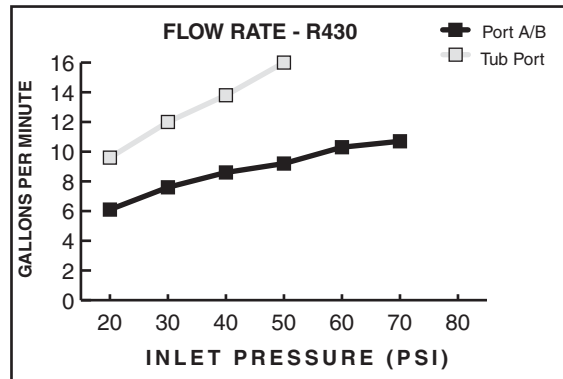
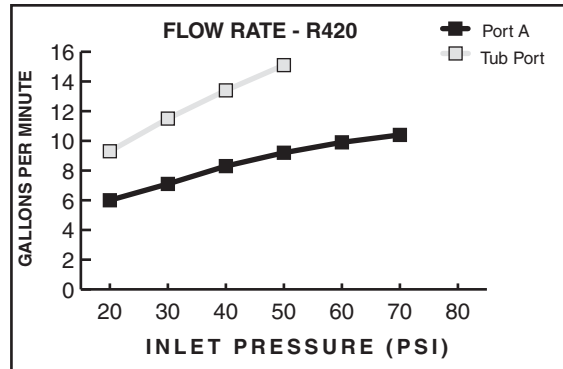
**SUGGESTED SPECIFICATION**

Two (three) way diverter shall feature a forged brass body with 1/2" NPT mixed water inlet and outlets. Fitting shall be American Standard Model # T184.430.\_\_\_\_ (Diverter Valve Trim) and R4\_0. (Rough Valve Body).

**CODES AND STANDARDS**

These products meet or exceed the following codes and standards:

**ASME A112.18.1**



TRIM KITS**	Product Number	Description	Finish Options	
			Polished Chrome	PVD Satin Nickel
			002	295
T184.430	Diverter Valve Trim. Less Valve.			

ROUGHVALVE BODIES	Product Number	Description		
			R420	Two-Way In-Wall Diverter. Less Handle.
			R430	Three-Way In-Wall Diverter. Less Handle.

**\*\* ROUGHS AND TRIMS MUST BE ORDERED SEPARATELY.**

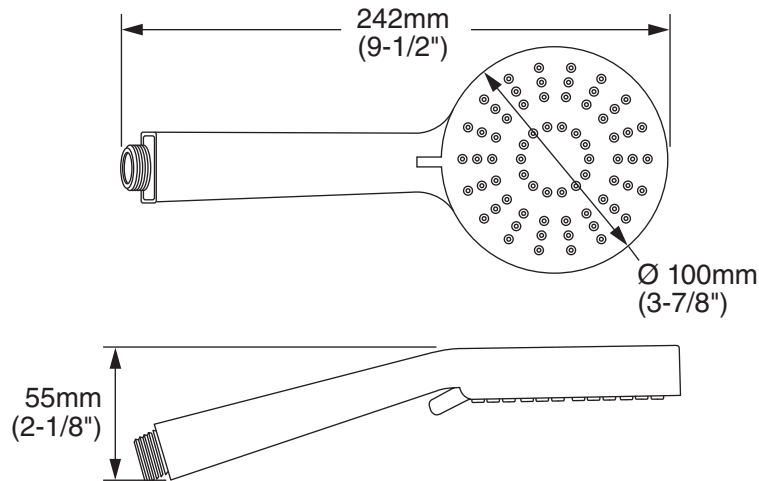
Meets the American Disabilities Act Guidelines and **ANSI A117.1** Requirements for the physically challenged.



**MODEL NUMBER:**

☐ 1660.144 Water Saving 3-Function Hand Shower

\*WaterSense approval pending



**GENERAL DESCRIPTION:**

3-Function hand shower. Hand shower adjusts from full spray to full/massage combination to pulsating massage. Includes pressure compensating flow control device. Includes check valve to prevent cross flow of hot and cold water. Easy clean spray nozzles. 2.0gpm/ 7.6L/min. maximum flow rate.

**PRODUCT FEATURES:**

**Variety of Spray Patterns:** Allows the user to select the type of spray best suited to their needs.

**Pressure Compensating Flow Control Device:** Provides consistent flow over a wide pressure range.

**Simple Spray Pattern Adjustment:** Spray patterns can be changed with a flick of the thumb.

**Lightweight, Ergonomic Design:** For a sure grip even with wet, soapy hands.

**Easy Clean Spray Nozzles:** Easily clean lime and calcium buildup. Nozzles will not clog.

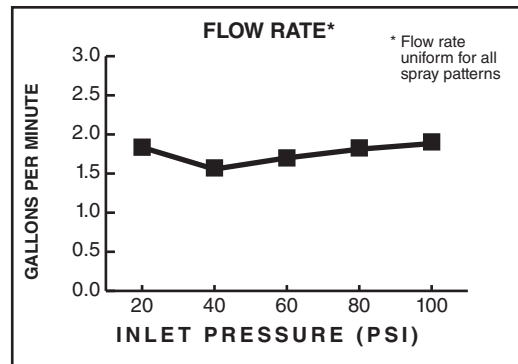
**SUGGESTED SPECIFICATION**

Hand Shower shall have at least 3 spray patterns. Hand Shower shall have a pressure compensating flow control device. Hand Shower shall include check valve to prevent cross flow of hot and cold water. Fitting shall be American Standard Model # 1660.144.\_\_\_\_.

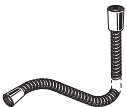
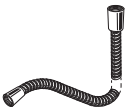
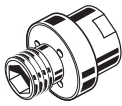


**CODES AND STANDARDS**






These products meet or exceed the following codes and standards:

**ASME A112.18.1**  
**CSA 125.1**



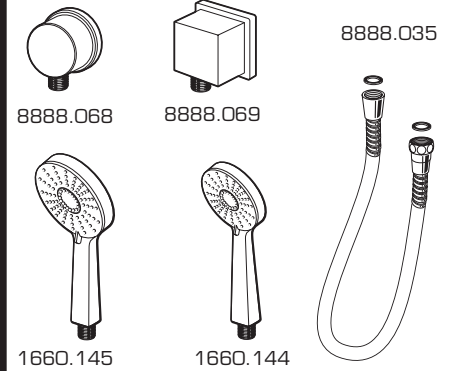
Product Number	Description	Finish Options
		Polished Chrome
		002
1660.144	Water Saving 3-Function Hand Shower.	

Hand Shower Accessories	
Product Number	Description
8888.035	59" Metal Shower Hose 
8888.053	79" Metal Shower Hose (Chrome Only) 
1660.400	Vacuum Breaker 
1660.410	Shower Arm Diverter 
8888.096	Shower Arm Bracket 

Hand Shower Accessories	
Product Number	Description
8888.036	Fixed Wall Bracket 
8888.037	Wall Supply 
8888.068	Round Wall Supply 
8888.069	Square Wall Supply 
8888.038	Wall Supply Bracket 

## SHOWER SYSTEM ACCESSORIES

**8888.068**  
**8888.069**  
**1660.145**  
**1660.144**  
**8888.035**



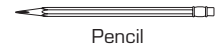
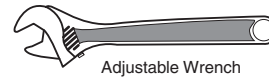
*Thank you for selecting American-Standard...the benchmark of fine quality for over 100 years.*

*To ensure that your installation proceeds smoothly—please read these instructions carefully before you begin.*

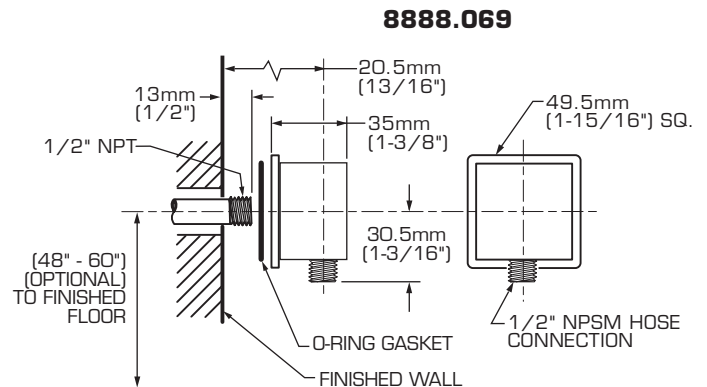
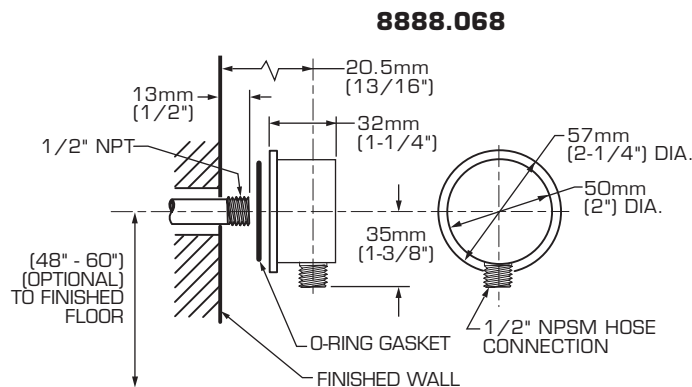
Certified to comply with ANSI A112.18.1

M965269

### Recommended Tools & Materials



### ROUGHING-IN DIMENSIONS



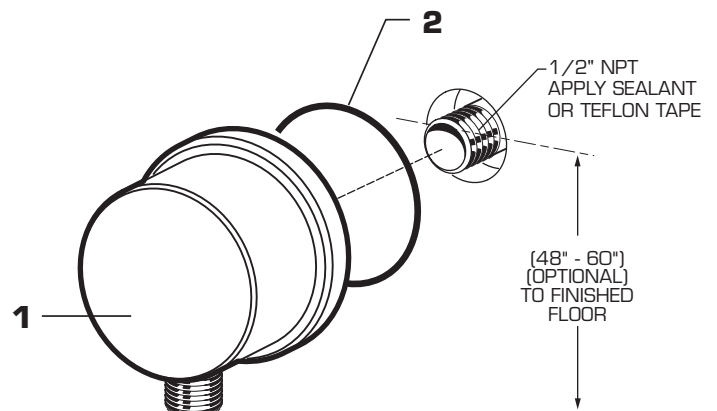
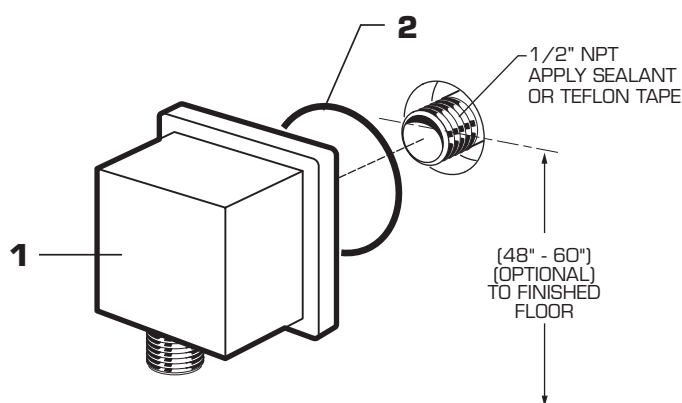
## 1

### INSTALL WALL SUPPLY

### CAUTION

Turn off hot and cold water supplies before beginning.

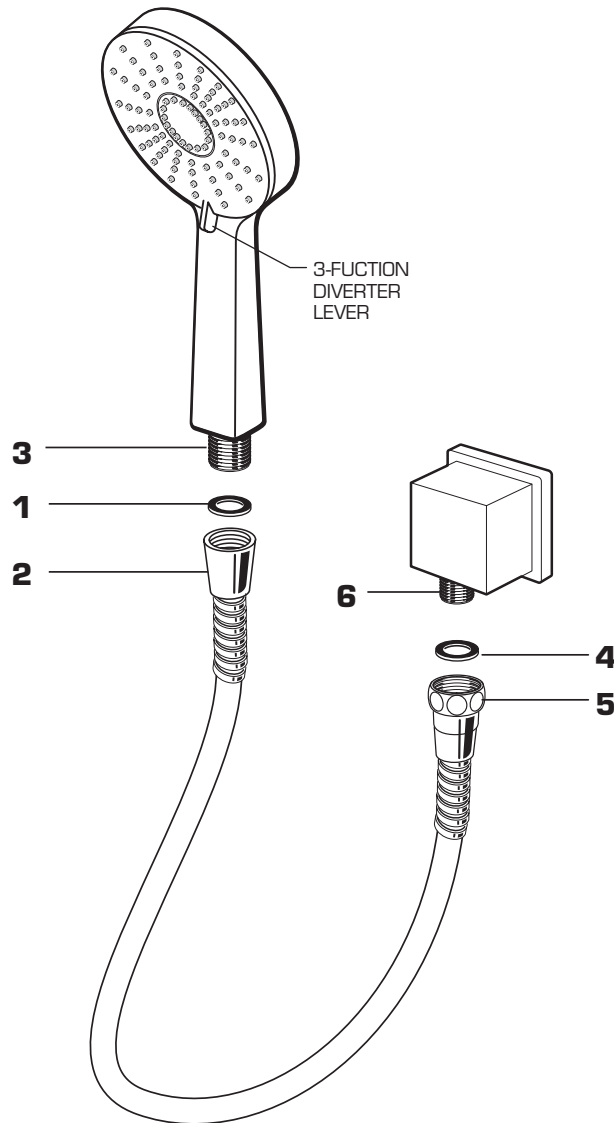
- WALL SUPPLY **(1)** is 1/2" NPT. *See rough-in above for detailed information.*
- Install O-RING **(2)** onto back of WALL SUPPLY **(1)**.
- Apply sealant or teflon tape to threads of 1/2" NPT supply nipple. Tighten ELBOW **(1)** onto the inlet pipe nipple with a smooth jaw wrench. WALL SUPPLY **(1)** should be tight against finished wall.





## 2 INSTALL HOSE AND HAND SHOWER TO WALL SUPPLY (8888.031 & 8888.032)

- Install SEAL (1) into SPRAY HOSE END (2) and connect HAND SHOWER (3) to SPRAY HOSE END (2). Hand tighten.
- Install SEAL (4) into HOSE END (5). Connect HOSE END (5) to WALL SUPPLY (6). Tighten with adjustable wrench. Do not over tighten.
- Turn on water and test HAND SHOWER (3).



## 3 CARE INSTRUCTIONS:

**DO: SIMPLY RINSE THE PRODUCT CLEAN WITH CLEAR WATER. DRY WITH A SOFT COTTON FLANNEL CLOTH.**

**DO NOT: DO NOT CLEAN THE PRODUCT WITH SOAPS, ACID, POLISH, ABRASIVES, HARSH CLEANERS, OR A CLOTH WITH A COARSE SURFACE.**

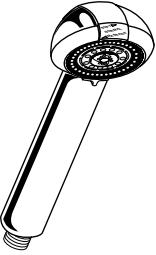
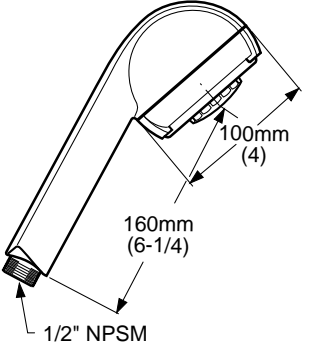

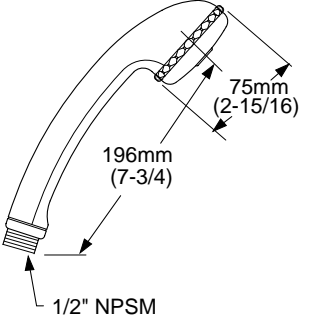

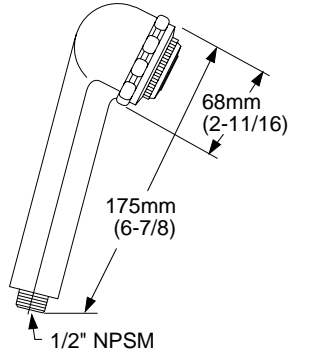
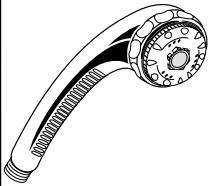
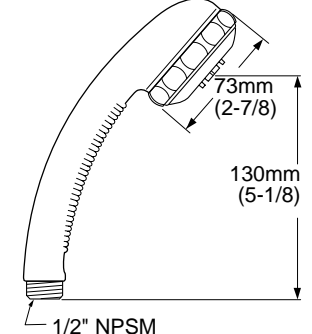


HOT LINE FOR HELP  
For toll-free information and answers to your questions, call:  
1-800 442-1902  
Weekdays 8:00 a.m. to 8:00 p.m. EST  
IN MEXICO 01-800-839-1200  
IN CANADA 1-800-387-0369 (TORONTO 1-905-306-1093)  
Weekdays 8:00 a.m. to 7:00 p.m. EST

Product names listed herein are trademarks of American Standard Inc.  
© AS America, Inc. 2012

M965269

## HAND HELD PERSONAL SHOWERS & BODY SPRAYS


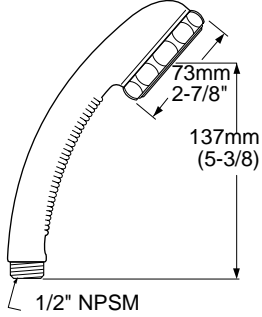

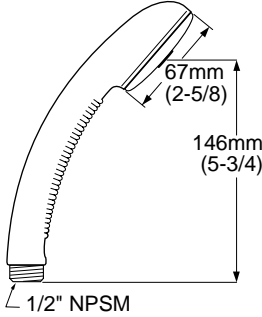
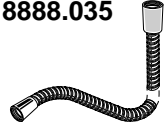



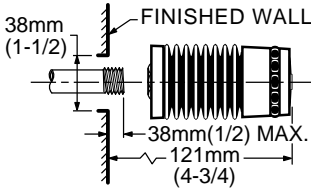

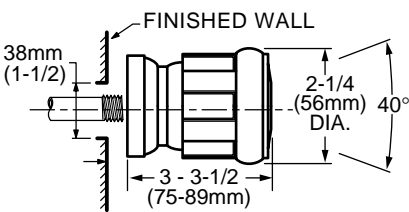
Model #	Description/Features	Finishes	Roughing-In Dimensions
<b>1660.525</b> 	<b>"Trevi" Personal Shower</b> <b>Self Cleaning Patented Design:</b> Flexible ring with spray holes prevents lime scale build up. <b>Spray Pattern:</b> Variable spray adjusts from a conventional spray to an aerated flow to a massage action. <b>Lightweight, Ergonomic Design:</b> For a sure grip even with wet, soapy hands. <b>Flow Restrictor:</b> 2.5 gpm/9.5L/min.	.002 Polished Chrome .020 White .099 Polished Brass (PVD) .295 Satin (PVD)	
<b>1660.500</b> 	<b>"Soft" Personal Shower</b> <b>Spray Pattern:</b> Variable spray adjusts from a conventional spray to a champagne flow. <b>Simple Spray Pattern Adjustment:</b> Spray patterns can be changed with a flick of the thumb. A true one-handed operation. <b>Lightweight, Ergonomic Design:</b> For a sure grip even with wet, soapy hands. <b>Flow Restrictor:</b> 2.5 gpm/9.5L/min.	.002 Polished Chrome .020 White .099 Polished Brass (PVD) .295 Satin (PVD)	
<b>1660.501</b> 	<b>"Sport" Personal Shower</b> <b>Spray Pattern:</b> Conventional spray adjusts from an invigorating needle spray to a soft drenching flow. <b>Simple Spray Pattern Adjustment:</b> Spray patterns can be changed with a flick of the thumb. A true one-handed operation. <b>Lightweight, Ergonomic Design:</b> For a sure grip even with wet, soapy hands. <b>Flow Restrictor:</b> 2.5 gpm/9.5L/min.	.002 Polished Chrome .020 White .099 Polished Brass (PVD) .295 Satin (PVD)	
<b>1660.503</b> 	<b>"3\" Function Personal Shower</b> <b>Spray Pattern:</b> Variable spray adjusts from a conventional spray to an aerated flow to a massage action. <b>Simple Spray Pattern Adjustment:</b> Spray patterns can be changed with a flick of the thumb. A true one-handed operation. <b>Lightweight, Ergonomic Design:</b> For a sure grip even with wet, soapy hands. <b>Flow Restrictor:</b> 2.5 gpm/9.5L/min.	.002 Polished Chrome .020 White	


**NOTE:** Additional handshowers appear on back.

### SUGGESTED SPECIFICATION:

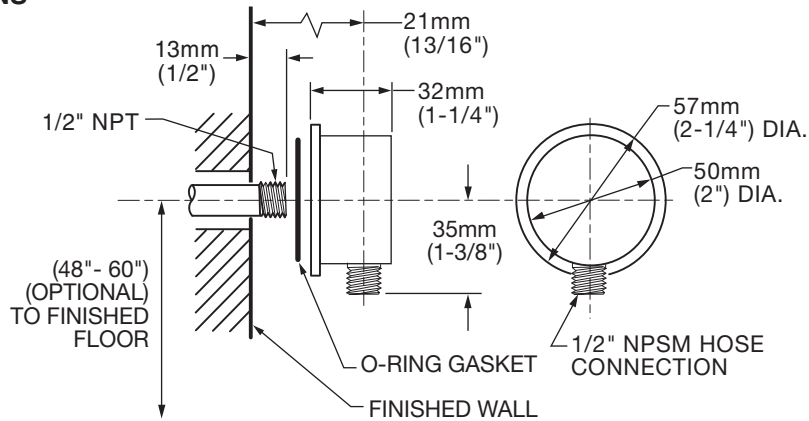
Personal shower shall be ergonomically designed for a positive grip even when wet. Spray pattern adjustment (on applicable models) shall be performed with simple movement of thumb without need to change grip on handle. Fitting shall be American Standard Model # 1660.\_\_\_\_.

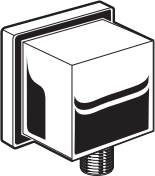
## HAND HELD PERSONAL SHOWERS & BODY SPRAYS

Model #	Description/Features	Finishes	Roughing-In Dimensions
<b>1660.504</b> 	<b>Adjustable Personal Shower</b> <b>Spray Pattern:</b> Conventional spray adjusts from an invigorating needle spray to a soft drenching flow. <b>Simple Spray Pattern Adjustment:</b> Spray patterns can be changed with a flick of the thumb. A true one-handed operation. <b>Lightweight, Ergonomic Design:</b> For a sure grip even with wet, soapy hands. <b>Flow Restrictor:</b> 2.5 gpm/9.5L/min.	.002 Polished Chrome .020 White	
<b>1660.505</b> 	<b>Fixed Personal Shower</b> <b>Spray Pattern:</b> Fixed conventional spray. <b>Lightweight, Ergonomic Design:</b> For a sure grip even with wet, soapy hands. <b>Flow Restrictor:</b> 2.5 gpm/9.5L/min.	.002 Polished Chrome .020 White	
<b>8888.035</b> 	<b>59" (1500mm) Shower Hose</b> Threads directly on 1/2" NPSM male threaded personal hand held shower.	.002 Polished Chrome .020 White .099 Polished Brass (PVD) .295 Satin (PVD)	
<b>8888.053</b> 	<b>79" (2007mm) Shower Hose</b>	.002 Polished Chrome	
<b>1660.400</b> 	<b>1/2" NPT In-Line Vacuum Breaker</b> Attaches between supply outlet and personal shower hose.	.002 Polished Chrome .020 White .099 Polished Brass (PVD) .295 Satin (PVD)	
<b>1660.120</b> 	<b>"Sport" Deluxe Adjustable Body/Side Spray</b> <b>Simple Spray Adjustment:</b> Spray face adjusts up to 40° in any direction. <b>Flow Restrictor:</b> 2.5gpm/9.5L/min.	.002 Polished Chrome .020 White .099 Polished Brass (PVD) .295 Satin (PVD)	
<b>1660.125</b> 	<b>"Trevi" Deluxe Adjustable Body/Side Spray</b> <b>Self Cleaning Patented Design:</b> Flexible ring with spray holes prevents lime scale build up. <b>Spray Pattern:</b> Variable spray adjusts from a conventional spray to a massage action. <b>Simple Spray Adjustment:</b> Spray position adjusts up to 20° in any direction. <b>Flow Restrictor:</b> 2.5 gpm/9.5L/min.	.002 Polished Chrome .020 White .099 Polished Brass (PVD) .295 Satin (PVD)	

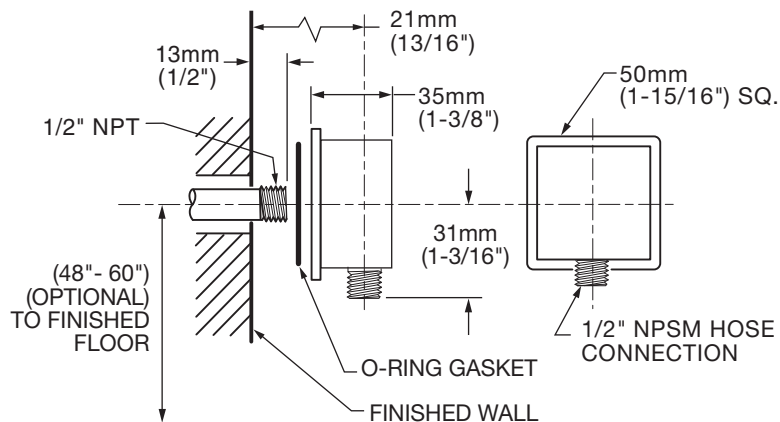
PART #	DESCRIPTION	AVAILABLE FINISHES
 <p><b>8888.068</b></p>	<p><b>ROUND WALL SUPPLY</b></p> <ul style="list-style-type: none"> <li>• 1/2" NPT female thread</li> <li>• 1/2" NPSM male hose thread</li> <li>• Includes Check Valve</li> </ul>	<p>.002 Polished Chrome .295 Satin Nickel (PVD)</p>

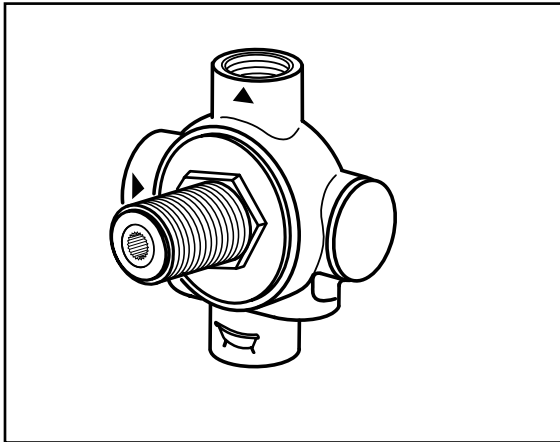
**ROUGH-IN DIMENSIONS**



 <p><b>8888.069</b></p>	<p><b>SQUARE WALL SUPPLY</b></p> <ul style="list-style-type: none"> <li>• 1/2" NPT female thread</li> <li>• 1/2" NPSM male hose thread</li> <li>• Includes Check Valve</li> </ul>	<p>.002 Polished Chrome .295 Satin Nickel (PVD)</p>
--	---	---

**ROUGH-IN DIMENSIONS**





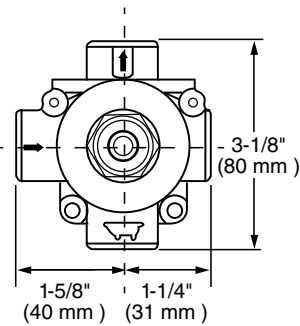
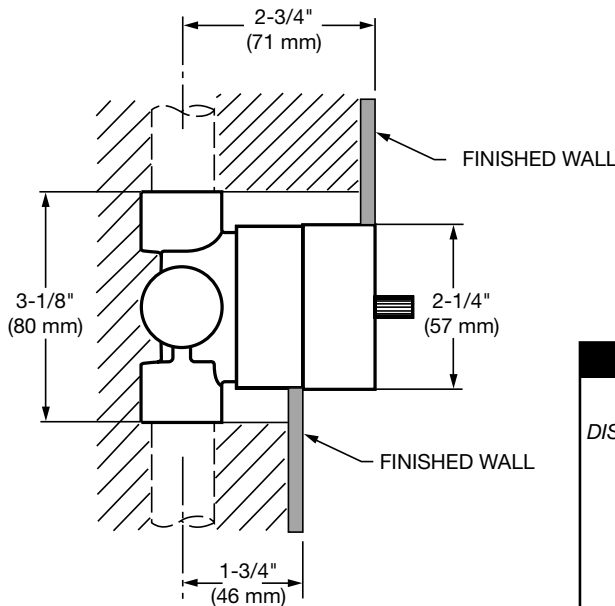
**MODEL NUMBER:**

- ❑ **R422 Two-Way In-Wall Diverter Valve Rough (Discrete)**

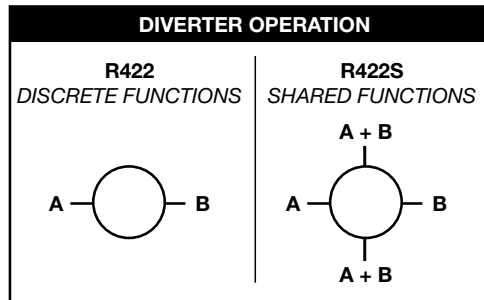
1/2" NPT inlets/outlets. 2 Discrete functions. LESS Handle.

- ❑ **R422S Two-Way In-Wall Diverter Valve Rough (Shared)**

1/2" NPT inlets/outlets. 2 Discrete/1 Shared functions. LESS Handle.



ALL CONNECTIONS 1/2" NPT



**GENERAL DESCRIPTION:**

In-Wall Diverter: Rotational control alternates water flow between two different shower outlets (i.e. showerhead, handspray, body side spray or tub spout). Forged brass valve body. Mixed water inlet and two outlets are marked on back of valve body. 1/2" NPT connections on mixed water inlet and two outlets. Stamped brass escutcheon. Tub port with increased water flow (see chart).

**NOTE:** Cannot be used as a shut-off valve.

**PRODUCT FEATURES:**

**Solid Brass Construction:** Durable, ideal material for prolonged contact with water.

**Removable Plaster Guard:** Permits checking of valve installation prior to installing trim parts.


**SUGGESTED SPECIFICATION**

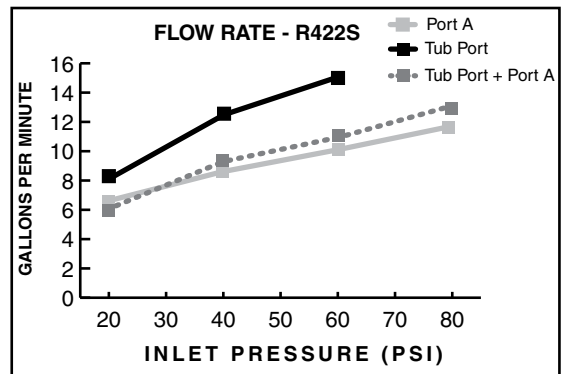
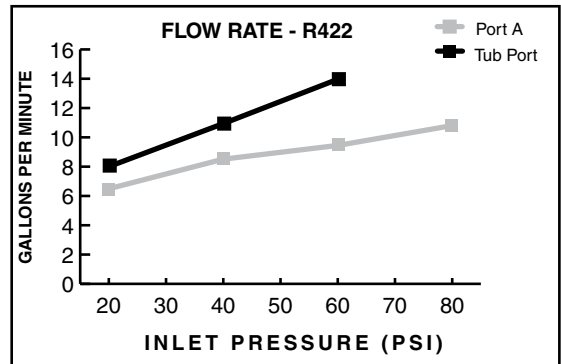
Two way diverter shall feature a forged brass body with 1/2" NPT mixed water inlet and outlets. Fitting shall be American Standard Model # R422\_.

### CODES AND STANDARDS

These products meet or exceed the following codes and standards:

**ASME A112.18.1**  
**CSA B125.1**





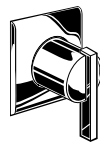
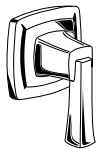














 Meets the American Disabilities Act Guidelines and **ANSI A117.1** Requirements for the physically challenged.

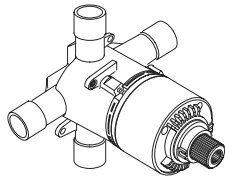


ROUGH VALVE BODIES	Product Number	Description
	R422*	Two-Way In-Wall Diverter. 2 Discrete functions. LESS handle.
	R422S*	Two-Way In-Wall Diverter. 2 Discrete/1 Shared functions. LESS handle.

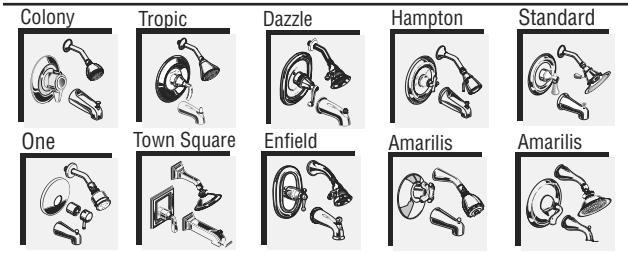
\*Rough and Trim must be ordered separately.

R422 and R422S will accept the following handles:

AVAILABLE TRIM KITS	Town Square®	Serin®	Green Tea®	Moments®	Times Square®	Townsend®
						
	T555.430 	T064.430 	T010.430 	T506.430 	T184.430 	T353.430 
	Berwick®	Berwick®	Portsmouth®	Portsmouth®	Quentin®	
						
T430.430 	T430.432	T420.430 	T420.432	T440.430 		



Available Trim Kits



R110 Valve Body Shown

### GENERAL DESCRIPTION:

Cast brass body, washerless ceramic disc valve cartridge with back-to-back capability and hot limit safety stop. Cycles from "off" to "cold" to "hot". Pressure balancing cartridge maintains constant output temperature in response to changes in relative hot and cold supply pressure. One-half inch inlets and outlets (choice of direct sweat, threaded, or PEX). Available with screwdriver stops. Rough-in plaster guard designed for use as thin-wall mounting adaptor. Valve body will accept a variety of decorative Bath/Shower trims.

### PRODUCT FEATURES:

**Cast Brass Valve Body:** Durable - Quality that will last a lifetime. Ideal material for prolonged contact with water.

**Ceramic Disc Valve Cartridge:** Assures a lifetime of drip-free performance. Allows easy fine tuning of temperature (125° handle rotation from off to hot).

**Pressure Balancing Valve Cartridge:** Maintains constant output temperature in response to changes in hot and cold supply pressure. Diaphragm system engineered to eliminate cross flow. Avoids failure due to mineral deposits - ideal for use in hard water

**Back-to-Back Capability:** Hot and cold can be reversed quickly and easily.

**Adjustable Hot Limit Safety Stop:** Limits the amount of hot water allowed to mix with cold. Reduces the risk of accidental scalding.

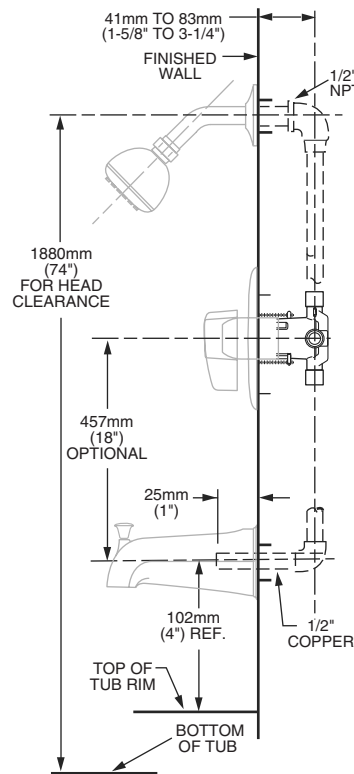
**Exclusive Plaster Guard:** Plaster guard is designed to protect valve during installation and serve as a mounting plate for thin-wall installations. 2 piece design allows valve to be tested prior to trim installation.

**Wide Rough-in Range:** From 1-5/8" to 3-1/4".

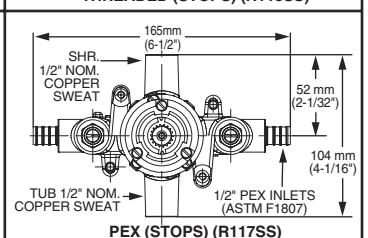
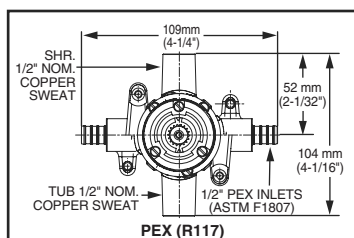
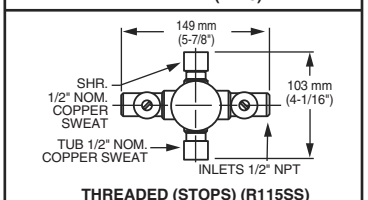
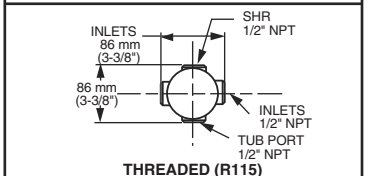
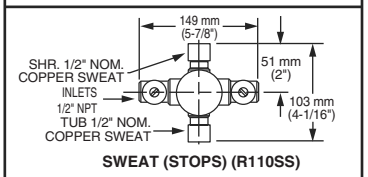
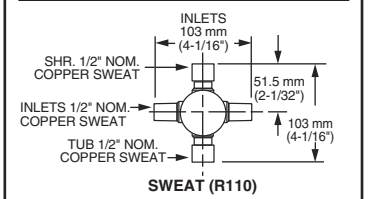
### MODEL NUMBER:

- R110 Pressure Balance Rough Valve Body only**  
Direct sweat inlets/outlets. LESS trim.
- R110SS Pressure Balance Rough Valve Body only with Screwdriver stops**  
Direct sweat inlets/outlets. Screwdriver stops. LESS trim.
- R115 Pressure Balance Rough Valve Body only**  
Female thread inlets/outlets. LESS trim.
- R115SS Pressure Balance Rough Valve Body only with Screwdriver stops**  
Female thread inlets/outlets. Screwdriver stops. LESS trim.
- R117 Pressure Balance Rough Valve Body only**  
PEX inlets/Direct sweat outlets. LESS trim.
- R117SS Pressure Balance Rough Valve Body only with Screwdriver stops**  
PEX inlets/Direct sweat outlets. Screwdriver stops. LESS trim.

See reverse for available trim kits.



### VALVE BODY OPTIONS



### SUGGESTED SPECIFICATION:

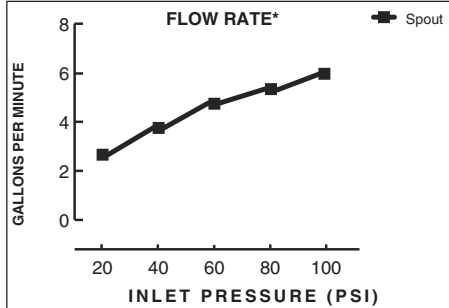
Bath/shower fitting shall feature a cast brass body. Shall feature ceramic disc valve cartridge which is capable of back-to-back installation. Fitting shall be equipped with pressure balancing cartridge engineered to eliminate cross flow and avoid failure due to mineral deposits. Shall also feature hot limit safety stop. Fitting shall be: Rough Valve Body - American Standard Model # R11\_\_\_\_, Trim Kit - American Standard Model # \_\_\_\_.

### Valve + Trim: Trim Kit & Valve Body Packaged Separately

To order: Specify valve body **and** trim kit desired

**Example:** R110 - Direct Sweat Valve Body

T215.701 - Hampton Bath/Shower Trim Kit (Porcelain Cross Handle)



### CODES AND STANDARDS

These products meet or exceed the following codes and standards:

- ASSE 1016
- ASME A112.18.1
- CSA B 125

\* Showerhead with 2.5gpm/9.5L.min. flow restrictor.

VALVES						
		R110	R110SS	R115	R115SS	R117
	Direct Sweat Inlets/Outlets	Direct Sweat Inlets/Outlets w/ Screwdriver Stops	Female Thread Inlets/Outlets	Female Thread Inlets/Outlets w/ Screwdriver Stops	PEX Inlets/Direct Sweat Outlets	PEX Inlets/Direct Sweat Outlets w/ Screwdriver Stops

TRIM KITS		Colony*	Tropic	Dazzle	Hampton**	Standard	Town Square	One	Enfield***	Amarilis****	Amarilis****
B/S		T375.XXX	T038.502	T028.502	T215.7XX	T6181	T555.502	T064.502	T373.5X2	T335.000	T345.000
Shower		T372.XXX	T038.501	T028.501	T212.7XX	T6180	T555.501	T064.501	T373.5X1	T332.000	T342.000
Valve		T371.XXX	T038.500	T028.500	T211.7XX	T6179	T555.500	T064.500	T373.5X0	T331.000	T341.000

### NOTES:

#### \* COLONY

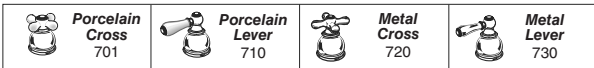


#### \*\* HAMPTON

available with choice of four handles.

to order: specify the three digit handle number

ex) T211.701 (valve only trim kit w/ porcelain cross handle)



#### \*\*\* ENFIELD available with lever or cross handle





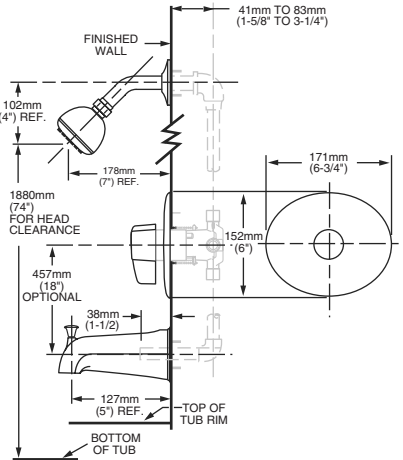
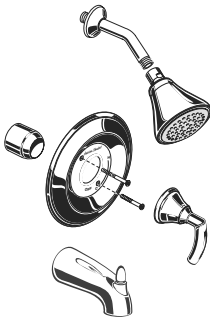
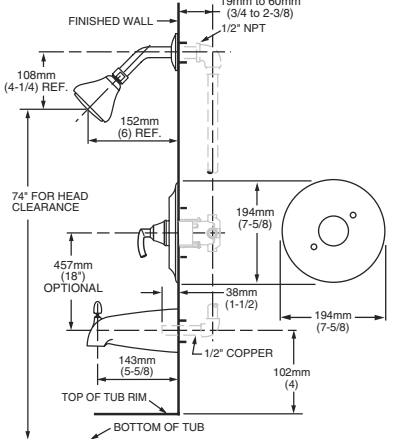
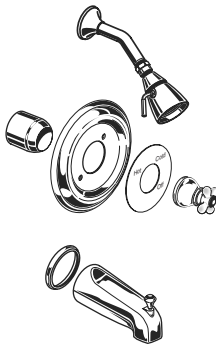
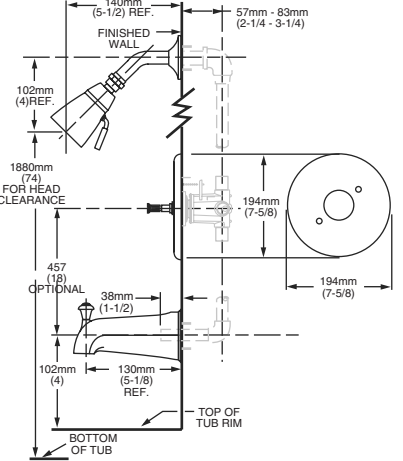




#### \*\*\*\* AMARILIS

trim kits are less handles--must be ordered separately.



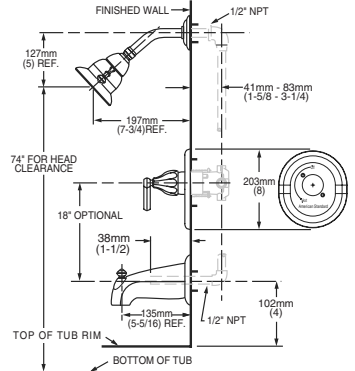


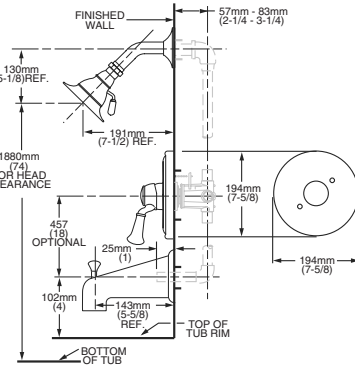


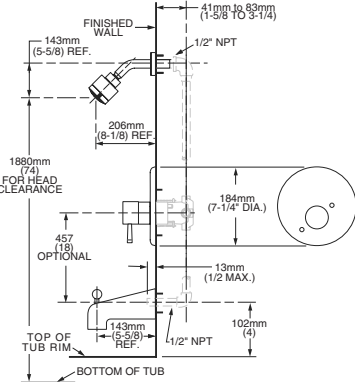


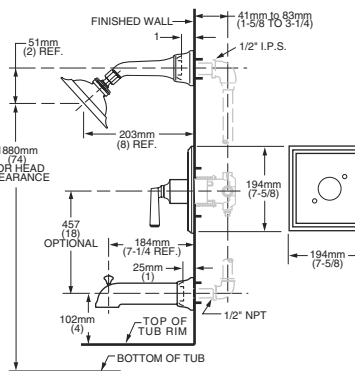
the following handle kits are available:




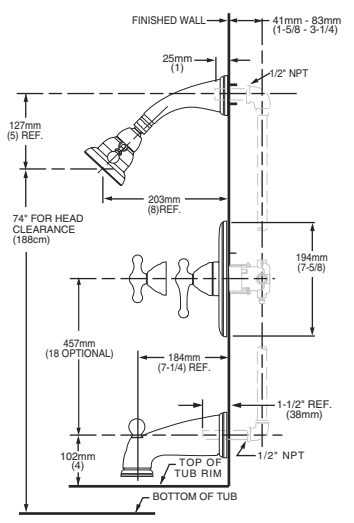

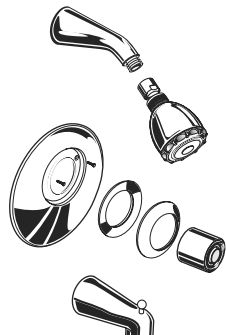
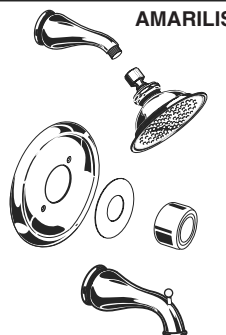
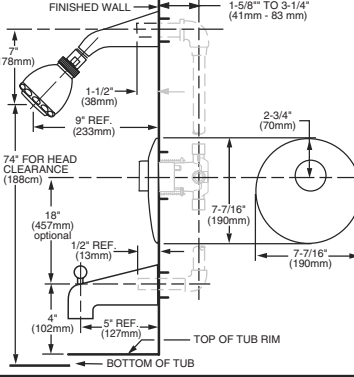

Trim Kits for R110, R110SS, R115, R115SS, R117, R117SS rough valve bodies. Showerhead with 2.5gpm/9.5L/min. maximum flow. **TRIM KITS ONLY. VALVE MUST BE ORDERED SEPARATELY.**

Trim Kit	Model # Description	Finishes	Roughing-In Dimensions
<p><b>COLONY</b></p>  	<p><b>T375.120 BATH/SHOWER Trim Kit</b></p> <ul style="list-style-type: none"> <li>• Wall escutcheon</li> <li>• Lever handle</li> <li>• "Easy Clean" Showerhead</li> <li>• Shower arm and flange</li> <li>• Slip-on Diverter tub spout</li> </ul> <p><b>T375.240 SAME AS ABOVE</b></p> <ul style="list-style-type: none"> <li>• With Metal lever handle</li> </ul> <p><b>T372.120 SHOWER ONLY Trim Kit</b></p> <ul style="list-style-type: none"> <li>• Wall escutcheon</li> <li>• Lever handle</li> <li>• "Easy Clean" Showerhead</li> <li>• Shower arm and flange</li> </ul> <p><b>T372.240 SAME AS ABOVE</b></p> <ul style="list-style-type: none"> <li>• With Metal lever handle</li> </ul> <p><b>T371.120 VALVE ONLY Trim Kit</b></p> <ul style="list-style-type: none"> <li>• Wall escutcheon</li> <li>• Lever handle</li> </ul> <p><b>T371.240 SAME AS ABOVE</b></p> <ul style="list-style-type: none"> <li>• With Metal lever handle</li> </ul>	<p>.002 Polished Chrome</p>	
<p><b>TROPIC</b></p> 	<p><b>T038.502 BATH/SHOWER Trim Kit</b></p> <ul style="list-style-type: none"> <li>• Metal Lever handle</li> <li>• Brass wall escutcheon</li> <li>• Showerhead, arm and flange</li> <li>• Slip-on Diverter tub spout</li> </ul> <p><b>T038.501 SHOWER ONLY Trim Kit</b></p> <ul style="list-style-type: none"> <li>• Metal Lever handle</li> <li>• Brass wall escutcheon</li> <li>• Showerhead, arm and flange</li> </ul> <p><b>T038.500 SHOWER ONLY Trim Kit</b></p> <ul style="list-style-type: none"> <li>• Metal Lever handle</li> <li>• Brass wall escutcheon</li> </ul>	<p>.002 Polished Chrome .295 Satin Nickel (PVD)</p> <p>.002 Polished Chrome .295 Satin Nickel (PVD)</p> <p>.002 Polished Chrome .295 Satin Nickel (PVD)</p>	
<p><b>HAMPTON</b></p> 	<p><b>T215.7XX BATH/SHOWER Trim Kit</b></p> <ul style="list-style-type: none"> <li>• Brass wall escutcheon</li> <li>• Adjustable brass Showerhead</li> <li>• Shower arm and flange</li> <li>• Slip-on diverter tub spout</li> </ul> <p><b>T254.7XX BATH/SHOWER Trim Kit</b></p> <ul style="list-style-type: none"> <li>• Brass wall escutcheon</li> <li>• Adjustable brass Showerhead</li> <li>• Shower arm and flange</li> <li>• I.P.S. diverter tub spout</li> </ul> <p><b>T212.7XX SHOWER ONLY Trim Kit</b></p> <ul style="list-style-type: none"> <li>• Brass wall escutcheon</li> <li>• Adjustable brass Showerhead</li> <li>• Shower arm and flange</li> </ul> <p><b>T211.7XX VALVE ONLY Trim Kit</b></p> <ul style="list-style-type: none"> <li>• Brass wall escutcheon</li> </ul>	<p><b>Porcelain Cross, Porcelain Lever, Metal Cross Handle Finishes</b></p> <p>.002 Polished Chrome .099 Polished Brass (PVD) .295 Satin Nickel (PVD)</p> <p><b>Metal Lever Handle Finishes</b></p> <p>.002 Polished Chrome .068 Blackened Bronze (PVD) .099 Polished Brass (PVD) .221 Satin (PVD)/Pol. Chrome mix. .295 Satin Nickel (PVD) .297 Satin/Brass (PVD) mix. .299 Pol. Chrome/Brass (PVD) mix.</p>	
<p><b>HAMPTON HANDLE OPTIONS</b></p> <div style="display: flex; justify-content: space-around; align-items: center;"> <div style="text-align: center;">  701 Porcelain* Cross         </div> <div style="text-align: center;">  710 Porcelain* Lever         </div> <div style="text-align: center;">  720 Metal Cross         </div> <div style="text-align: center;">  730 Metal Lever         </div> </div>		<p><b>Hampton available with choice of 4 handles.</b> <b>To order: specify the 3 digit handle number.</b> <b>eg: T211.710 = Hampton Valve Only Trim Kit with Porcelain Lever Handle</b></p>	










Trim Kits for R110, R110SS, R115, R115SS, R010, R015, R117, R117SS rough valve bodies. Showerhead with 2.5gpm/9.5L/min. maximum flow. TRIM KITS ONLY. VALVE MUST BE ORDERED SEPARATELY.

Trim Kit	Model # Description	*Finishes	Roughing-In Dimensions
<p><b>DAZZLE</b></p>  	<p><b>T028.502 BATH/SHOWER Trim Kit</b></p> <ul style="list-style-type: none"> <li>• Metal Lever Handle</li> <li>• Brass wall escutcheon</li> <li>• Showerhead, arm and flange</li> <li>• Slip-on diverter tub spout</li> </ul> <p><b>T028.501 SHOWER ONLY Trim Kit</b></p> <ul style="list-style-type: none"> <li>• Metal Lever Handle</li> <li>• Brass wall escutcheon</li> <li>• Showerhead, arm and flange</li> </ul> <p><b>T028.500 VALVE ONLY Trim Kit</b></p> <ul style="list-style-type: none"> <li>• Metal Lever Handle</li> <li>• Brass wall escutcheon</li> </ul>	<p>.002 Polished Chrome .295 Satin Nickel (PVD)</p> <p>38mm (1-1/2)</p> <p>.002 Polished Chrome .295 Satin Nickel (PVD)</p> <p>.002 Polished Chrome .295 Satin Nickel (PVD)</p>	
<p><b>STANDARD</b></p>  	<p><b>T6181 BATH/SHOWER Trim Kit</b></p> <ul style="list-style-type: none"> <li>• Metal wall escutcheon</li> <li>• Porcelain lever handle</li> <li>• 5" adjustable showerhead</li> <li>• Cast brass diverter tub spout with I.P.S. connection</li> </ul> <p><b>T6180 SHOWER ONLY Trim Kit</b></p> <ul style="list-style-type: none"> <li>• Metal wall escutcheon</li> <li>• Porcelain lever handle</li> <li>• 5" adjustable showerhead</li> </ul> <p><b>T6179 VALVE ONLY Trim Kit</b></p> <ul style="list-style-type: none"> <li>• Metal wall escutcheon</li> <li>• Porcelain lever handle</li> </ul>	<p>T6181 Polished Chrome T6181S Satin Nickel (PVD)</p> <p>T6180 Polished Chrome T6180S Satin Nickel (PVD)</p> <p>T6179 Polished Chrome T6179S Satin Nickel (PVD)</p>	
<p><b>ONE</b></p>  	<p><b>T064.502 BATH/SHOWER Trim Kit</b></p> <ul style="list-style-type: none"> <li>• Brass wall escutcheon</li> <li>• Adjustable "3 function" showerhead</li> <li>• Cast brass diverter tub spout</li> <li>• LESS Valve</li> </ul> <p><b>T064.501 SHOWER ONLY Trim Kit</b></p> <ul style="list-style-type: none"> <li>• Brass wall escutcheon</li> <li>• Adjustable "3 function" showerhead</li> <li>• LESS Valve</li> </ul> <p><b>T064.500 VALVE ONLY Trim Kit</b></p> <ul style="list-style-type: none"> <li>• Brass wall escutcheon</li> <li>• LESS Valve</li> </ul>	<p>.002 Polished Chrome .295 Satin Nickel (PVD)</p> <p>.002 Polished Chrome .295 Satin Nickel (PVD)</p> <p>.002 Polished Chrome .295 Satin Nickel (PVD)</p>	
<p><b>TOWN SQUARE</b></p>  	<p><b>T555.502 BATH/SHOWER Trim Kit</b></p> <ul style="list-style-type: none"> <li>• Metal wall escutcheon</li> <li>• Metal lever handle</li> <li>• Cast brass shower arm</li> <li>• 4 1/2" Rain showerhead</li> <li>• Cast brass diverter tub spout with I.P.S. connection</li> </ul> <p><b>T555.501 SHOWER ONLY Trim Kit</b></p> <ul style="list-style-type: none"> <li>• Metal wall escutcheon</li> <li>• Metal lever handle</li> <li>• Cast brass shower arm</li> <li>• 4 1/2" Rain showerhead</li> </ul> <p><b>T555.500 VALVE ONLY Trim Kit</b></p> <ul style="list-style-type: none"> <li>• Metal wall escutcheon</li> <li>• Metal lever handle</li> </ul>	<p>.002 Polished Chrome .099 Polished Brass (PVD) .295 Satin Nickel (PVD)</p> <p>.002 Polished Chrome .099 Polished Brass (PVD) .295 Satin Nickel (PVD)</p> <p>.002 Polished Chrome .099 Polished Brass (PVD) .295 Satin Nickel (PVD)</p>	

Trim Kits for R110, R110SS, R115, R115SS, R010, R015, R117, R117SS rough valve bodies. Showerhead with 2.5gpm/9.5L/min. maximum flow. **TRIM KITS ONLY. VALVE MUST BE ORDERED SEPARATELY.**

Trim Kit	Model # Description	*Finishes	Roughing-In Dimensions
 <p><b>ENFIELD</b></p>	<p><b>T373.522 BATH/SHOWER Trim Kit</b></p> <ul style="list-style-type: none"> <li>• Metal wall escutcheon</li> <li>• Metal cross handle</li> <li>• Cast brass shower arm</li> <li>• 3-1/4" adjustable showerhead</li> <li>• Cast brass diverter tub spout with I.P.S. connection</li> </ul> <p><b>T373.521 SHOWER ONLY Trim Kit</b></p> <ul style="list-style-type: none"> <li>• Metal wall escutcheon</li> <li>• Metal cross handle</li> <li>• Cast brass shower arm</li> <li>• 3-1/4" adjustable showerhead</li> </ul> <p><b>T373.520 VALVE ONLY Trim Kit</b></p> <ul style="list-style-type: none"> <li>• Metal wall escutcheon</li> <li>• Metal cross handle</li> </ul>	<p>.002 Polished Chrome .008 Polished Nickel .068 Blackened Bronze (PVD) .099 Polished Brass (PVD) .295 Satin Nickel (PVD)</p>	
 <p><b>ENFIELD</b></p>	<p><b>T373.502 BATH/SHOWER Trim Kit</b></p> <ul style="list-style-type: none"> <li>• Metal wall escutcheon</li> <li>• Metal lever handle</li> <li>• Cast brass shower arm</li> <li>• 3-1/4" adjustable showerhead</li> <li>• Cast brass diverter tub spout with I.P.S. connection</li> </ul> <p><b>T373.501 SHOWER ONLY Trim Kit</b></p> <ul style="list-style-type: none"> <li>• Metal wall escutcheon</li> <li>• Metal lever handle</li> <li>• Cast brass shower arm</li> <li>• 3-1/4" adjustable showerhead</li> </ul> <p><b>T373.500 VALVE ONLY Trim Kit</b></p> <ul style="list-style-type: none"> <li>• Metal wall escutcheon</li> <li>• Metal lever handle</li> </ul>	<p>.002 Polished Chrome .008 Polished Nickel .068 Blackened Bronze (PVD) .099 Polished Brass (PVD) .295 Satin Nickel (PVD)</p>	
 <p><b>AMARILIS</b></p>	<p><b>T335.000 BATH/SHOWER Trim Kit</b></p> <ul style="list-style-type: none"> <li>• Brass wall escutcheon</li> <li>• "Vario" adjustable showerhead</li> <li>• Cast brass shower arm</li> <li>• Cast brass diverter tub spout</li> <li>• LESS Handle</li> <li>• LESS Valve</li> </ul> <p><b>T332.000 BATH/SHOWER Trim Kit</b></p> <ul style="list-style-type: none"> <li>• Brass wall escutcheon</li> <li>• "Vario" adjustable showerhead</li> <li>• Cast brass shower arm</li> <li>• LESS Handle</li> <li>• LESS Valve</li> </ul> <p><b>T331.000 BATH/SHOWER Trim Kit</b></p> <ul style="list-style-type: none"> <li>• Brass wall escutcheon</li> <li>• LESS Handle</li> <li>• LESS Valve</li> </ul>	<p>.002 Polished Chrome .008 Polished Nickel .099 Polished Brass (PVD) .221 Satin (PVD)/Pol. Chrome mix. .295 Satin Nickel (PVD) .297 Satin/Brass (PVD) mix. .299 Pol. Chrome/Brass (PVD) mix.</p>	
 <p><b>AMARILIS</b></p>	<p><b>T345.000 BATH/SHOWER Trim Kit</b></p> <ul style="list-style-type: none"> <li>• Brass wall escutcheon</li> <li>• Rain showerhead</li> <li>• Cast brass shower arm</li> <li>• Cast brass diverter tub spout</li> <li>• LESS Handle</li> <li>• LESS Valve</li> </ul> <p><b>T342.000 BATH/SHOWER Trim Kit</b></p> <ul style="list-style-type: none"> <li>• Brass wall escutcheon</li> <li>• Rain showerhead</li> <li>• Cast brass shower arm</li> <li>• LESS Handle</li> <li>• LESS Valve</li> </ul> <p><b>T341.000 BATH/SHOWER Trim Kit</b></p> <ul style="list-style-type: none"> <li>• Brass wall escutcheon</li> <li>• LESS Handle</li> <li>• LESS Valve</li> </ul>	<p>.002 Polished Chrome .008 Polished Nickel .068 Blackened Bronze (PVD) .099 Polished Brass (PVD) .221 Satin (PVD)/Pol.Chrome mix. .295 Satin Nickel (PVD) .297 Satin/Brass mixage (PVD) .299 Pol. Chrome/Brass (PVD) mix.</p>	

The above fittings will accept the following Amarilis-Series handles.

								
451	441	461	431	551	541	571	901 911	861

### \*EverClean™ Finish:

- Offered on: Polished Chrome (002), Stainless Steel (075), Polished Brass (099) and Satin Nickel (295) finish. (and any combination of these finishes).
- One wipe effortlessly removes spots.
- Eliminates the need for cleaners and scrubbing.

EverClean Finish is offered on Tropic, One, Town Square, Enfield and Amarilis.