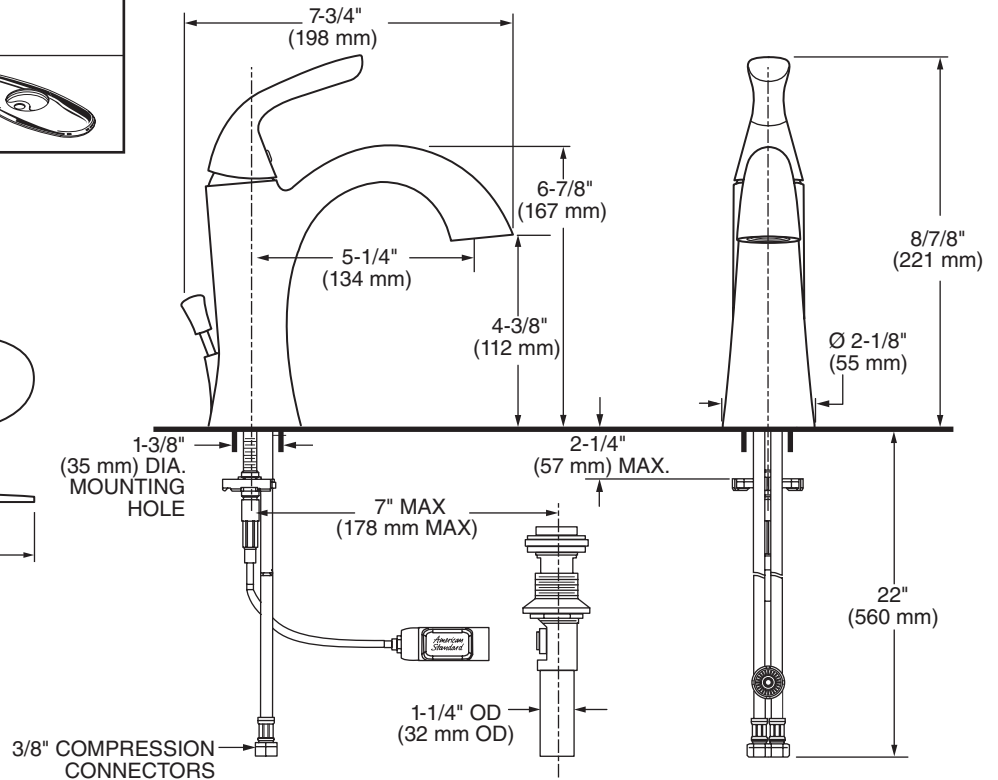
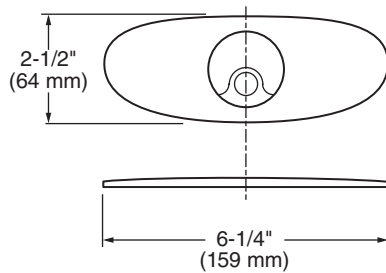




*WaterSense® approval pending

OPTIONAL
ESCUTCHEON
PLATE



GENERAL DESCRIPTION:

All metal body. Metal Lever handle. Washerless 35mm ceramic disc valve cartridge with integral hot limit safety stop. Braided flexible supply hoses with 3/8" compression connectors. 20 inch (500mm) long flexible stainless steel drain cable is pre-assembled to spout. Metal Speed Connect® drain body with 1-1/4 inch (32mm) tail piece. 1.5 gpm/5.7L/min. maximum flow rate. Fitting can be mounted on 4" centers using optional escutcheon (2000.102P) or single hole mounting method.

PRODUCT FEATURES:

Ceramic Disc Valve Cartridge: Assures a lifetime of smooth handle operation and drip-free performance.

Lead Free: Faucet contains ≤0.25% total lead content by weighted average.

Exclusive Speed Connect Metal Drain:

- Fewer parts. Installs in less time.
- No adjustments required - seals the first time, every time.
- Flexible stainless steel cable - installs effortlessly in tight spaces.

Choice of Finishes: Wide range of durable finishes.

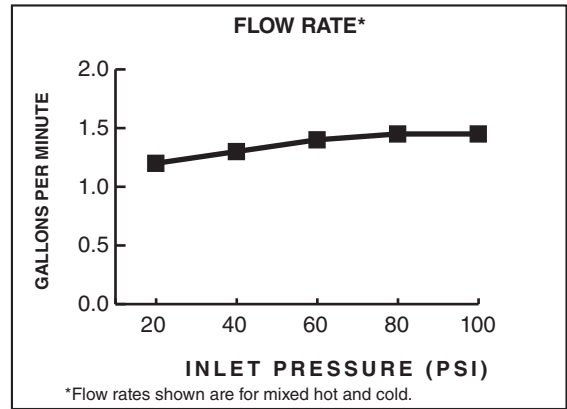
SUGGESTED SPECIFICATION:


Single control lavatory faucet shall feature a brass swivel spout and metal lever handle. Shall also feature washerless ceramic disc valve cartridge. Shall also feature a metal drain body with stainless steel cable actuation. Fitting shall be American Standard Model # 7186.101._____.


CODES AND STANDARDS

These products meet or exceed the following codes and standards:

- ANSI A117.1**
- ASME A112.18.1**
- NSF 61/Section 9 and Annex G**
- CSA B 125.1**



| Product Number | Description | Finish Options | | |
|----------------|--|-----------------|-------------------|--------------------|
| | | Polished Chrome | Oil Rubbed Bronze | Satin Nickel (PVD) |
| | | 002 | 224 | 295 |
| 7186.101 | Fluent™ single control lavatory faucet. Metal Speed Connect® pop-up drain.  | | | |
| 2000.102P | Optional Escutcheon Plate Only (For Mounting on 4" Centers) | | | |

 Meets the American Disabilities Act Guidelines and **ANSI A117.1** Requirements for the physically challenged.