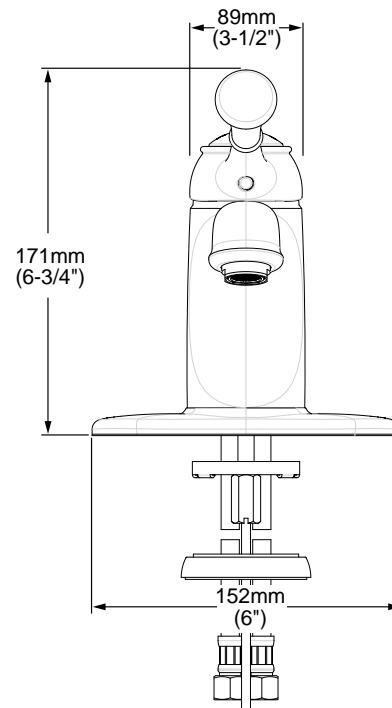
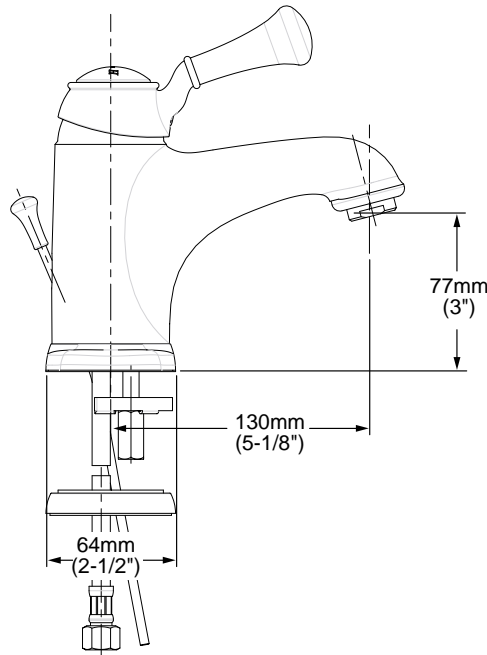


SINGLE CONTROL LAVATORY FAUCET

MODEL NUMBER:

- 2171 Single Control Lavatory**
 Pop-up drain. Includes escutcheon (for mounting on 4" centers) and decorative trim ring (for single hole mounting). Polished Chrome finish.

- 2171S Single Control Lavatory**
 Pop-up drain. Includes escutcheon (for mounting on 4" centers) and decorative trim ring (for single hole mounting). Satin (PVD) finish.



GENERAL DESCRIPTION:

Cast brass body. Porcelain lever handle. Washerless 47mm ceramic disc valve cartridge. Equipped with a hot limit safety stop. 20" long, 3/8" O.D. flexible supplies with 3/8" compression fitting. Fitting can be mounted on 4" centers using supplied brass escutcheon or by single hole mounting method using supplied decorative ring. All metal pop-up drain. 2.2 gpm/8.3L/min. maximum flow rate.

PRODUCT FEATURES:

Cast Brass Construction: Durable. Easy to clean, seamless design. Ideal for prolonged contact with water.

Ceramic Disc Valve Cartridge: Assures a lifetime of smooth handle operation and drip-free performance.

Adjustable Hot Limit Safety Stop: Limits the amount of hot water allowed to mix with cold. Reduces the risk of accidental scalding.

Low Lead: Meets NSF Standard 61/Section 9 & Prop 65 lead requirements.

Genuine Porcelain Handle

Choice of Finishes: Lifetime finishes won't tarnish or scratch.

Lifetime Warranty

SUGGESTED SPECIFICATION:

Single control lavatory faucet shall feature a cast brass body and porcelain lever handle. Fitting shall be equipped with 20" long flexible connections with 3/8" compression fitting. Shall also feature washerless ceramic disc valve cartridge. Fitting shall be equipped with a hot limit safety stop. Fitting shall be American Standard Model # 2171_.