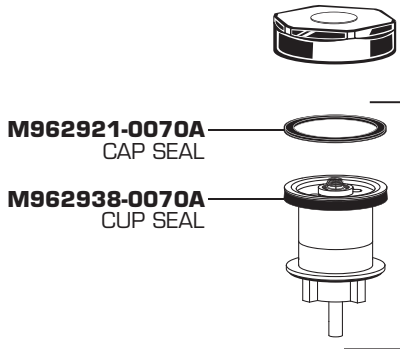


# MANUAL FLUSH VALVE

Exposed Flushometer  
for Top Spud Toilets

MODEL NUMBERS

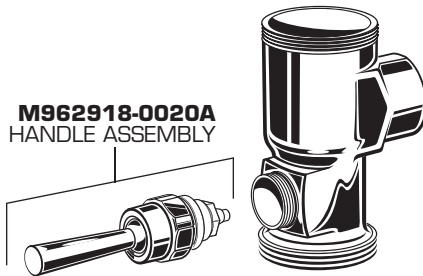
**6047 Series**  
**7017 Series**



**M962921-0070A**  
CAP SEAL

**M962938-0070A**  
CUP SEAL

**M964905K-0071100A** (MODEL 6047.111, 7017.111)  
**M964905A-0071600A** (MODEL 6047.161, 7017.161)  
**M964905B-0071280A** (MODEL 6047.121, 7017.121)  
PISTON ASSEMBLY



**M962918-0020A**  
HANDLE ASSEMBLY



OPTIONAL ADJUSTABLE TAILPIECE  
(Purchased Separately)

**M962836-0020A** (8-1/4" to 9-1/4" Rough-in)

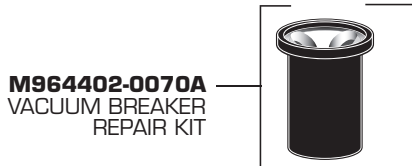
**M962835-0020A** (7-1/4" to 8-1/4" Rough-in)

**M962834-0020A** (6-1/4" to 7-1/4" Rough-in)

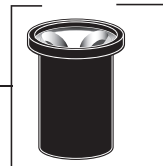
**M962833-0020A** (5-1/4" to 6-1/4" Rough-in)



**M962920-0020A**  
ADJUSTABLE TAILPIECE  
(4-1/4" to 5-1/4" Rough-in)



**M964402-0070A**  
VACUUM BREAKER  
REPAIR KIT

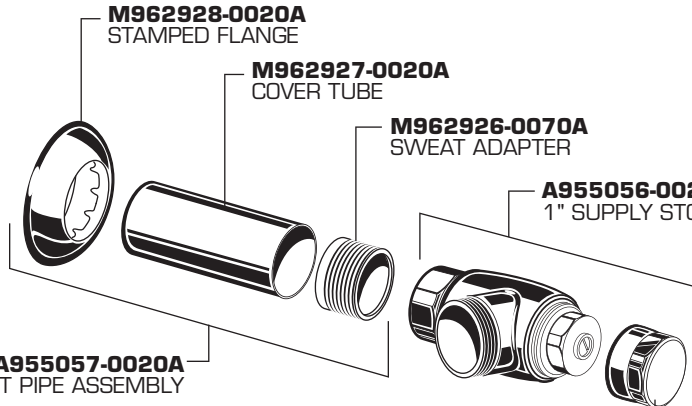


**M962928-0020A**  
STAMPED FLANGE



**M964411-0020A**  
VACUUM BREAKER  
ASSEMBLY 11-1/2"  
(220mm) ROUGH-IN

**M964413-0020A**  
VACUUM BREAKER  
ASSEMBLY 27"  
(610mm) ROUGH-IN



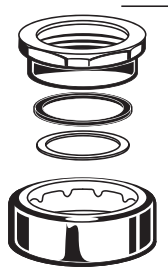
**A955057-0020A**  
INLET PIPE ASSEMBLY

**M962927-0020A**  
COVER TUBE

**M962926-0070A**  
SWEAT ADAPTER

**A955056-0020A**  
1" SUPPLY STOP

**M924347-0020A**  
SUPPLY STOP CAP



**M952269-0020A**  
ESCUTCHEON KIT



HOT LINE FOR HELP  
For toll-free information and answers to your questions, call:  
1 (800) 442-1902  
Weekdays 8:00 a.m. to 6:00 p.m. EST  
IN MEXICO 01-800-839-1200  
IN CANADA 1-800-387-0369 (TORONTO 1-905-306-1093)  
Weekdays 8:00 a.m. to 7:00 p.m. EST

Product names listed herein are trademarks of AS America, Inc.