

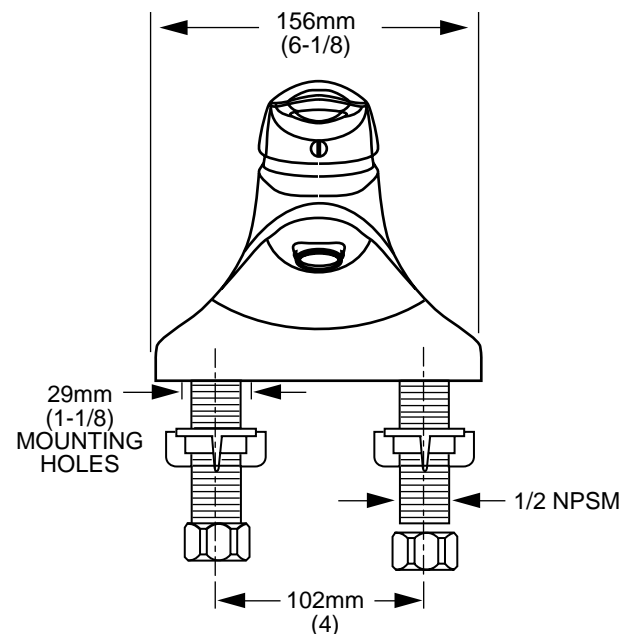
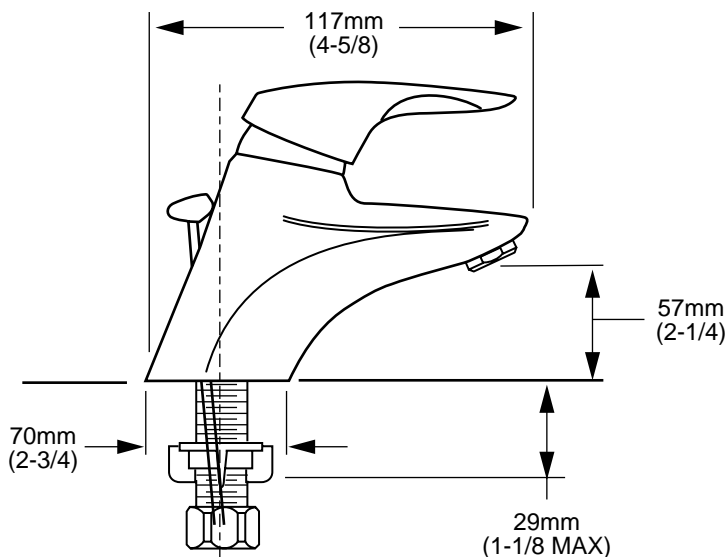
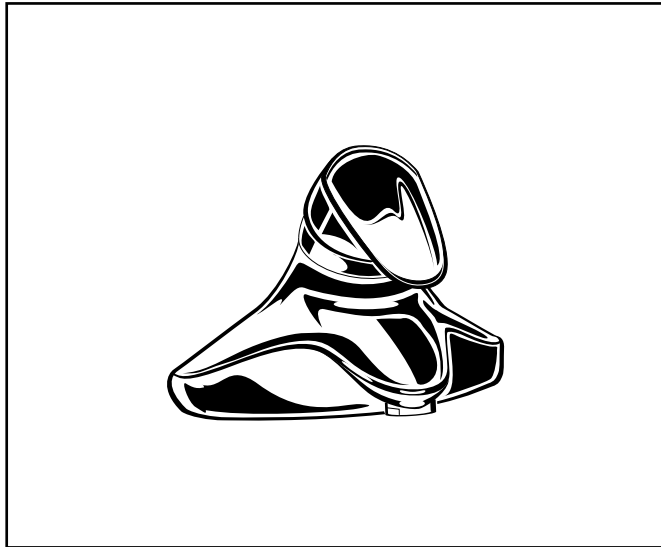
American Standard

CERAMIX

SINGLE CONTROL LAVATORY FAUCET

MODEL NUMBER:

- ☐ **2000.110 Centerset Lavatory Faucet**
Pop-up drain. 1/2" male threaded inlet shanks.



GENERAL DESCRIPTION:

Cast brass centerset body with metal handle. Washerless 47mm ceramic disc valve cartridge. Equipped with a hot limit safety stop. 1/2" male threaded inlet shanks with brass coupling nuts. 2.2 gpm/8.3L/min. maximum flow rate. Fitting mounts on 4" centers.

PRODUCT FEATURES:

Brass Waterway: Highest quality faucet materials for durability & long life.

Ceramic Disc Valve Cartridge: Assures a lifetime of drip-free performance.

Adjustable Hot Limit Safety Stop: Limits the amount of hot water allowed to mix with cold. Reduces the risk of accidental scalding.

Wide Comfort Zone: Gives more sensitive temperature control.

Low Lead: Meets NSF Standard 61/Section 9 & Prop 65 lead requirements.

Choice of Finishes: Wide range of durable finishes.

SUGGESTED SPECIFICATION:

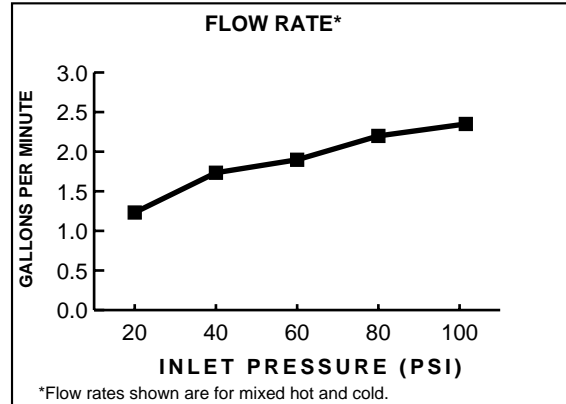
Single control centerset lavatory fitting shall feature a cast brass body with all metal handle. Shall feature 1/2" male threaded inlet shanks with brass coupling nuts. Shall also feature washerless ceramic disc valve cartridge. Fitting shall be equipped with a hot limit safety stop. Fitting shall be American Standard Model # 2000.110,_____.

SINGLE CONTROL LAVATORY FAUCET


CODES AND STANDARDS

These products meet or exceed the following codes and standards:

- ANSI A117.1
- ASME A112.18.1M
- CSA B 125
- NSF 61/Section 9



Product Number	Description	Finish Options					
		Polished Chrome	PVD B Nickel /Brass mix	PVD Polished Brass	PVD Satin	PVD Satin/ Brass Mix	P Chrome /PVD Brass Mix
		002	062	099	295	297	299
2000.110	Centerset Lavatory faucet. Pop-up drain.						

 Meets the American Disabilities Act Guidelines and **ANSI A117.1** Requirements for the physically challenged.