

SEDONA FREESTANDING TUB

2766.014 SEDONA FREESTANDING TUB

Product Features:

- Clean transitional design
- High-gloss cast acrylic
- Soaking tub with deep bathing well
- Center toe-top drain
- Large slotted overflow for deep soaking
- Integrated tub drain with Chrome finish
- Limited Lifetime warranty

Nominal Dimensions:

62-3/4" x 29-7/8" min. x 22-7/8"
(1594 x 759 min. x 581mm)

Compliance Certifications -

Meets or Exceeds the Following Specifications:

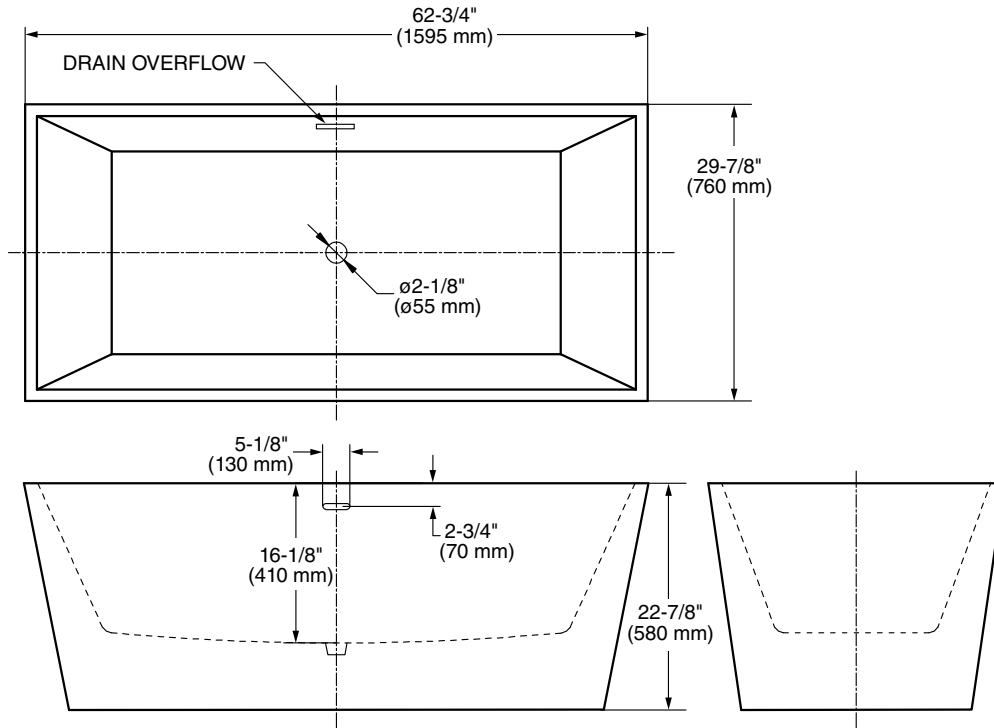
- IAPMO Z124-2011
- CSA B45.5-11
- cUPC



SEE REVERSE SIDE FOR ROUGHING-IN DIMENSIONS
AND PRODUCT SPECIFICATIONS

To Be Specified - Required:

- Color: White



| GENERAL SPECIFICATIONS FOR 2766 FREE STANDING BATH | |
|---|--|
| INSTALLED SIZE | 62-3/4 x 29-7/8 x 22-7/8 in. (1594 x 759 x 581mm) |
| WEIGHT | 103 Lbs. (47 Kg.) |
| WEIGHT w/WATER | 605 Lbs. (274 Kg.) |
| GAL. TO OVERFLOW | 72 Gal. (273 L) |
| BATHING WELL AT SUMP | 45-1/4 x 20-1/2 In. (1149 x 521mm) |
| BATHING WELL AT RIM | 60 x 27-1/8 In. (1524 x 689mm) |
| WATER DEPTH TO OVERFLOW | 13-3/8 In. (340mm) |
| FLOOR LOADING (PROJECTED AREA) | 47 Lbs./Sq.Ft. (227 Kgs./Sq.m) |

NOTES:

■ REFER TO INSTALLATION INSTRUCTIONS SUPPLIED WITH BATHTUB FOR ADDITIONAL INFORMATION.

IMPORTANT: Dimensions of fixtures are nominal and may vary within the range of tolerances established by ANSI Standard Z124.1.2. These measurements are subject to change or cancellation. No responsibility is assumed for use of superseded or voided leaflet.