

AMERICAN STANDARD ONE-YEAR LIMITED WARRANTY

If inspection of this American Standard plumbing product, within one year after its initial installation, confirms that it is defective in materials or workmanship, American Standard will repair or, at its option, exchange the product for a similar model.

This limited warranty **does not apply** to local building code compliance; since local building codes vary considerably, the purchaser of this product should check with a local building or plumbing contractor to insure local code compliance before installation.

This warranty **shall be void** if the product has been moved from its initial place of installation; if it has been subjected to faulty maintenance, abuse, misuse, accident or other damage; if it was not installed in accordance with American Standard's instructions; or if it has been modified in a manner inconsistent with the product as shipped by American Standard.

American Standard's option to repair or exchange the product under this warranty does not cover any labor or other costs of removal or installation, **nor shall American Standard be responsible for any other incidental or consequential damages attributable to a product defect or to the repair or exchange of a defective product, all of which are expressly excluded from this warranty.** (Some states or provinces do not allow the exclusion or limitation of implied warranties, so this exclusion may not apply to you.)

This warranty gives you specific legal rights. You may have other statutory rights that vary from state to state or from province to province, in which case this warranty does not affect such statutory rights.

For service under this warranty, it is suggested that a claim be made through the contractor or dealer from or through whom the product was purchased, or that a service request (including a description of the product model and of the defect) be sent to the following address:

In the United States:

AMERICAN STANDARD, INC.
P.O. Box 6820
Piscataway, New Jersey 08855
Attn: Director of Consumer Affairs

For residents of the United States, warranty information may also be obtained by calling the following toll free number: (800) 223-0068

In Canada:

AMERICAN STANDARD, INC.
2480 Stanfield Road
Mississauga, Ontario Canada L4Y 1S2
Toll Free: (800) 387-0369 Toronto Area: (905) 276-6022

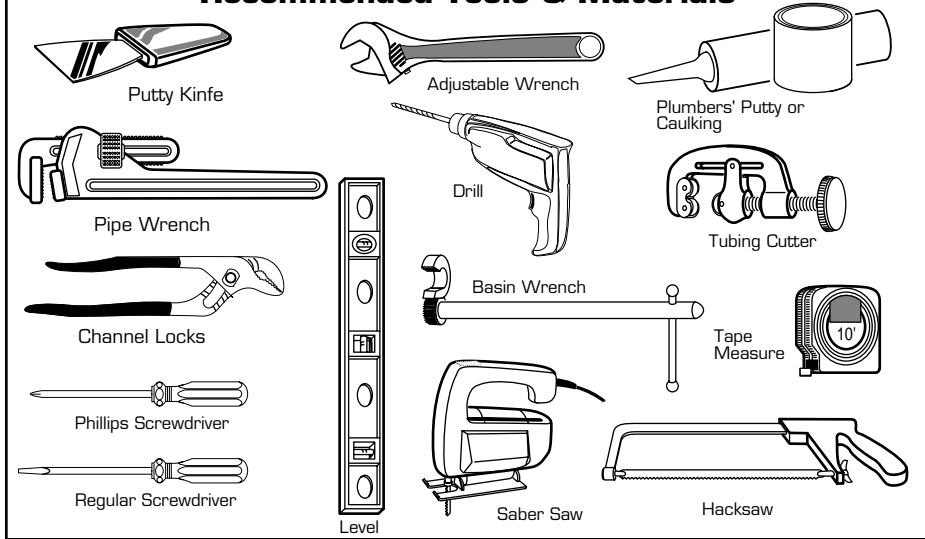
In Mexico:

IDEAL STANDARD, S.A. de C.V.
Customer Service Manager
Planta Santa Clara, Via Morelos #330
Santa Clara Coatitla
Ecatepec de Morelos 55540,
Estado de Mexico, Mexico

Pedestal Lavatory Observe Local Plumbing and Building Codes Installation Instructions

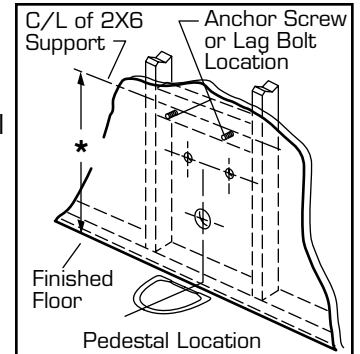
Introduction: Thank you for selecting our products...products which have been the benchmarks of fine quality for years. To help insure that the installation process will proceed smoothly, please read these instructions carefully before you begin. Also, review the recommended tools and materials list; carefully unpack and examine your new plumbing fixture.

Recommended Tools & Materials



1

Provide suitable reinforcement behind finished wall for lavatory anchor screws. * Determine horizontal center line location of support from fixture.



NOTE:
If replacing an existing lavatory be certain to shut off water supply before removing old lavatory.

American Standard

Ideal Standard

Inesa Standard

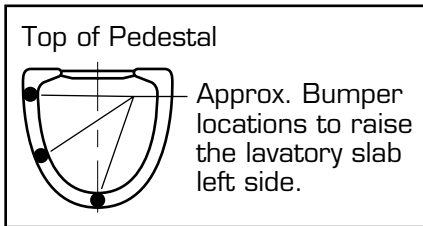
Sadona Standard

Cedelca

Saniwares

2

Place lavatory and pedestal into installed position. Level and square the lavatory and pedestal assembly. Use one or more bumper cushions (supplied) to level and cushion lavatory slab to pedestal.



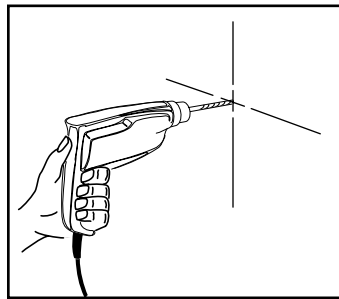
For example only

3

Mark lavatory and pedestal screw locations through the mounting holes. If a steel hanger is supplied mark the location of its screws when positioned as shown in step 5a.

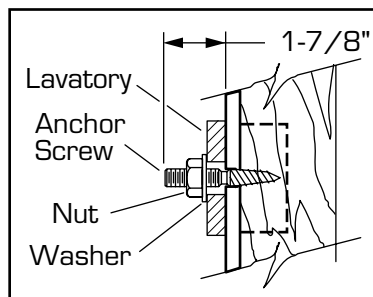
4

Remove lavatory and pedestal from installed position. Drill pilot holes for lavatory and pedestal anchor screws or lag bolts. **Note:** Some models are supplied with lag bolts, anchor screws, or steel hangers for lavatory installations only. Other models and all pedestals are not provided with mounting hardware. Various pedestal screw sizes and types are available to the installer at local hardware outlets.

**5**

ANCHOR SCREW INSTALLATION

Install lavatory anchor screws leaving 1-7/8" threaded end exposed as illustrated.

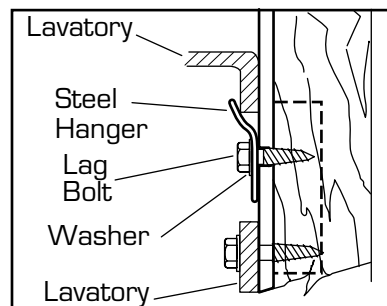


IMPORTANT: Final assembly of nut and washer or lag bolt method shown for reference only. (See steps 8 and 9).

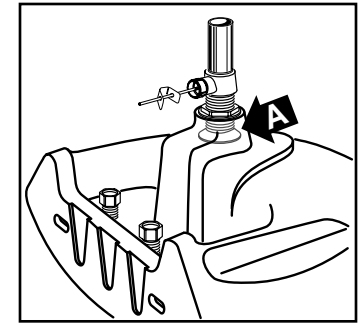
5a

LAG BOLT INSTALLATION

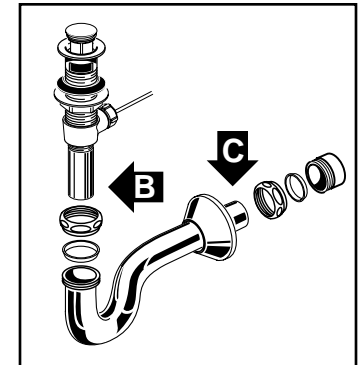
Use lag bolts to secure lavatory as illustrated.

**6**

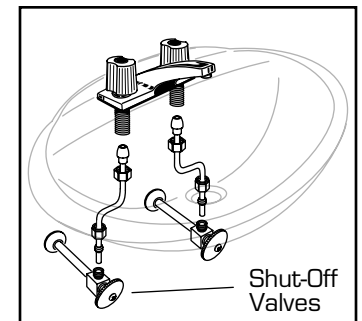
Following manufacturer's instructions, install faucet and drain assembly (not included). Be certain to apply a bead of sealing putty on the underside of the drain (area "A") in order to ensure a watertight seal between the lavatory and drain. Remove excess putty after installing drain on lavatory.

**7**

Return the fitted lavatory and pedestal to the installed position. Connect trap to drain assembly hand tight to check alignment. It may be necessary to cut off part of the tailpiece (area "B") and/or part of the drain elbow of the trap (area "C").

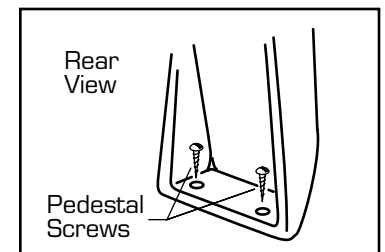
**8**

Secure lavatory to wall as shown in 5 or 5a. Install washers and hand tighten nuts or lag bolts. Level and square the unit. Connect hot and cold supply lines to the shut-off valves. Tighten trap joints for watertight assembly.

**9**

Install pedestal screws. Securely tighten lavatory anchor nuts or lag bolts.

Note: Space constraints may dictate method of fastening pedestal to floor.



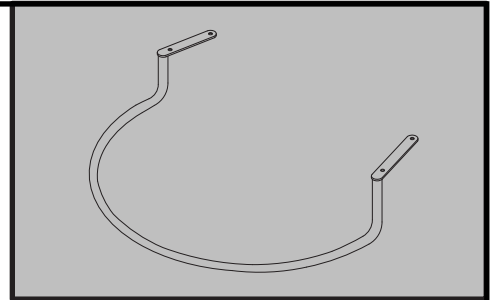
TOWEL BAR INSTALLATION INSTRUCTIONS INSTRUCCIONES PARA LA INSTALACION DE LA BARRA PORTA TOALLAS DIRECTIVES D'INSTALLATION DU PORTE SERVIETTES

MODEL 3520 - MODELO 3520 - MODÈLE 3520

Thank you for selecting American Standard . . . the benchmark of fine quality for over 100 years. To ensure this product is installed properly, please read these instructions carefully before you begin.

Gracias por elegir American Standard . . . ha sido el sinónimo de buena calidad por más de 100 años. Para asegurar que este producto sea instalado correctamente, por favor, lea estas instrucciones cuidadosamente antes de comenzar.

Merci d'avoir choisi American Standard . . . la référence en terme de qualité supérieure depuis plus de 100 ans. Pour vous assurer d'une pose sans tracas, s.v.p. lire attentivement les instructions avant de commencer.



BEFORE YOU BEGIN...

Unpack new towel bar and inspect carefully for damage. Replace the towel bar in its original packing carton to protect it until you are ready to begin installation.

ANTES DE COMENZAR...

Desempaque la barra porta toallas y revisela cuidadosamente por defectos. Coloquela de nuevo en la caja para protegerla hasta que usted este listo para iniciar la instalación.

AVANT DE COMMENCER...

Bien regarder pour les dommages et réemballer dans son carton jusqu'à ce vous soyez prêt à l' utiliser.

Recommended Tools & Materials Herramientas y Materiales Recomendados Outils et Matériels Recommandés

- Phillips Screwdriver
- Destornillador de punta de estrella
- Tournevis Phillips

Mount well nuts to back side of towel bar using screws supplied (do not overtighten). Insert well nuts in proper holes in lavy, hold flat mounting surface against lavy and tighten screws until bar is secure.

Monte las tuercas cilíndricas en la parte posterior de la barra, utilizando los tornillos provistos (no apriete excesivamente). Inserte las turcas cilíndricas en los orificios correspondientes del lavamanos y apriete los tornillos hasta que la barra quede firme.

Installer les écrous d'accouplement à l'arrière du porte-serviettes à l'aide des vis fournies (ne pas trop serrer). Insérer les écrous de accouplement dans les trous prévus dans le lavabo, tenir le côté plat contre le lavabo et serrer les vis jusqu'à ce que le porte-serviettes soit solide.

