

American Pride

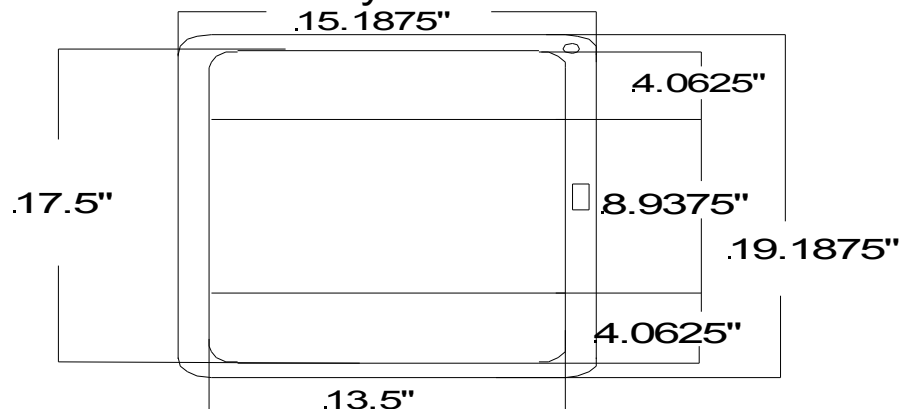
526 Crest Road Flat Rock, NC 28731 828-697-8847

Product Data Specifications

VISTA - Model # 9400 Recessed Mount Medicine Cabinet

MIRROR:	16" x 20" Single Strength (.09375) CCE
OVERALL SIZE:	16 1/8" x 20 1/8"
ROUGH OPENING:	13 1/2" x 17 1/2"(Actual cabinet size 13-1/4" x 17-3/8")
INSIDE DEPTH:	3"
SHELVES:	2 fixed, injection molded polystyrene
DOOR FILLER:	275 lbs. test A-Flute Corrugated Pad
HINGE:	2 Tri-brite galvanized split butt 2.5" hinges
DOOR OPERATION:	One riveted stainless steel striker plate and magnetic catch closure mechanism
MOUNTING HARDWARE:	4 #8 x 1 1/2" Steel Tapping Screws
FRAME MATERIAL:	16.125 x 20.125 .018 Thickness Type 430 Stainless Steel Miter by #8 Pan Head Phillips Frame Coated with Protective Flexible PVC Film
REVERSIBLE:	Yes
DOOR BACKING:	White High Impact Polystyrene .060Thickness
CABINET:	Injection Molded in White Recessed: 13.5" x 17.5" Typical Wall Thickness .085 Material: High Impact Polystyrene All Color Non-Toxic 1.5 Notched Izod (minimum) Specific Gravity 1.05, 73°/28° F Heat Deflection Annealed, 264 psi 185 Vicat Softening Point, °F 202 °C 94 Tensile Strength at yield (2.0 in/min) psi 3400 Ultimate Elongation % (0.2 in/min)(5mm/min) 35 Flexular Modulus (0.05 in/min) psi 300,000 Hardness, Rockwell M 20 Izod Impact, 1/4" – 8.4 mm @ 78°F/23°C 1.4 ft.-lb.75 J/m

94 Series Plastic(Polystyrene) Recessed Only Medicine Cabinet



Plastic(Polystyrene) Cabinet
Storage Depth(3")
3 Fixed Polystyrene Shelves
Covers Up 15.1875" x 19.1875"
R.O.(13.5" x 17.5"x 2.625")