

## INSTALLATION INSTRUCTIONS

### SPKPL-PUCK-RGBTW-1P (WH & BK)



#### ⚠ WARNING

These products may represent a possible shock or fire hazard if improperly installed or attached in any way. Products should be installed in accordance with these instructions, current electrical codes, and/or the current National Electric Code (NEC).

#### ⚠ WARNING

To avoid electrical shock, disconnect or disable power at the source prior to installation or maintenance.

#### ⚠ WARNING

To avoid electrical shock, use only with 12V DC power supplies.

#### SAFETY INFORMATION

- Read all instructions before beginning; Save these instructions for future use.
- To reduce the risk of fire, electric shock, or injury to persons, pay close attention to this manual and stay within its guidelines when using this product.
- The Spektrum+ Puck has an ingress rating of IP44 and is intended for indoor use in dry locations only.
- Do not use if there is any damage to the unit or to the insulation on any cords; Inspect periodically.
- Do not route cords or units through walls, doors, windows, or any similar part of a building structure. Only route cords so they will not be pinched or damaged.
- Do not secure unit or its power cord with staples, nails, or any other sharp objects that may damage fixture.
- Not intended for recessed installation inside enclosed cabinetry (cabinets that is not open at the top. Not intended for recessed installation in ceilings or soffets).
- Do not alter plugs or connectors.
- Keep away from curtains, draperies, and other similar flammable materials.
- LEDs are bright! Do not look directly at lighted fixture.
- LEDs are not serviceable. Do not attempt to open or service LEDs or LED housing.
- This light is not intended for use with a standard wall plate dimmer switch. Use only with Spektrum+ Smart Lighting Bluetooth App or Spektrum+ handheld remote controller (SPKPL-CTRL-W-RGBTW sold separately)

#### PRE-INSTALLATION

Determine the quantities and locations of the pucks, controllers and drivers to be installed, consider whether pucks will be surface or recessed mounted. Note, multiple drivers and controllers may be required.

#### INSTALLATION (See Figures 1-2):

##### SURFACE MOUNTING:

1. Separate the surface ring from the puck housing. With the puck lens facing away from you, hold the surface ring with your fingers and press on the center of the back of the puck with your thumbs to separate housing from surface ring. See Figure 1.
2. Determine desired locations for each puck and mark the locations of the mounting holes on the mounting surface using the surface ring as a template. Note: Each puck has a 72" lead wire which needs to be routed to the controller. Be sure to locate the puck lights so that each puck can reach the controller.
3. Before attaching the surface ring to the mounting surface, route the lead wire through the installation notch. See Figure 1.
4. Secure surface ring using appropriate mounting hardware (2 screw included).
5. Gently push the puck light into the surface ring until it is fully seated, making sure the lead wire is not pinched or crimped in any way.

##### RECESSED MOUNTING:

1. Separate the surface ring from the puck housing (refer to Surface Mounting Step 1/Figure1 under SURFACE MOUNTING). Discard the surface ring.
2. Determine desired locations for each puck and mark the locations of their centers on the mounting surface.
3. Drill a 2-3/8" diameter hole at each marked location. See Figure 2.
4. Route the pucks lead wire through the hole and press the puck in until it is fully seated, making sure the lead wire is not pinched or crimped in any way. The side spring clips will hold the puck light in place.

FIGURE 1

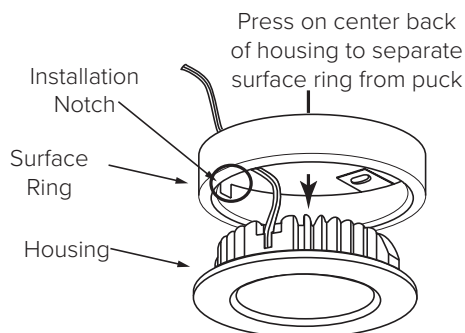
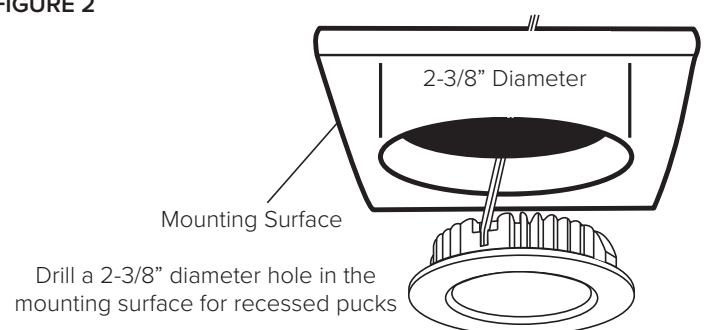


FIGURE 2



## INSTALLATION INSTRUCTIONS

SPKPL-PUCK-RGBTW-1P (WH & BK)



### CONNECTING POWER:

A 24V DC LED driver with a capacity to handle the attached load is required; ADPT-DRJ-30-24 (sold separately) is recommended. Do not exceed maximum load capacity of the driver. It is not recommended to load the driver more than 90% of its rated capacity. Each puck consumes 3 watts.

1. Determine the best location for the driver and controller, considering the 72" lead wire length on each puck.
2. Route each of the lead wires from the puck lights to the appropriate terminal. (see Figure 3)
3. Connect red and black lead wires by attaching them to the controller matching polarity. Red to +, Black to -
4. Connect driver to 120VAC household power source.

FIGURE 3

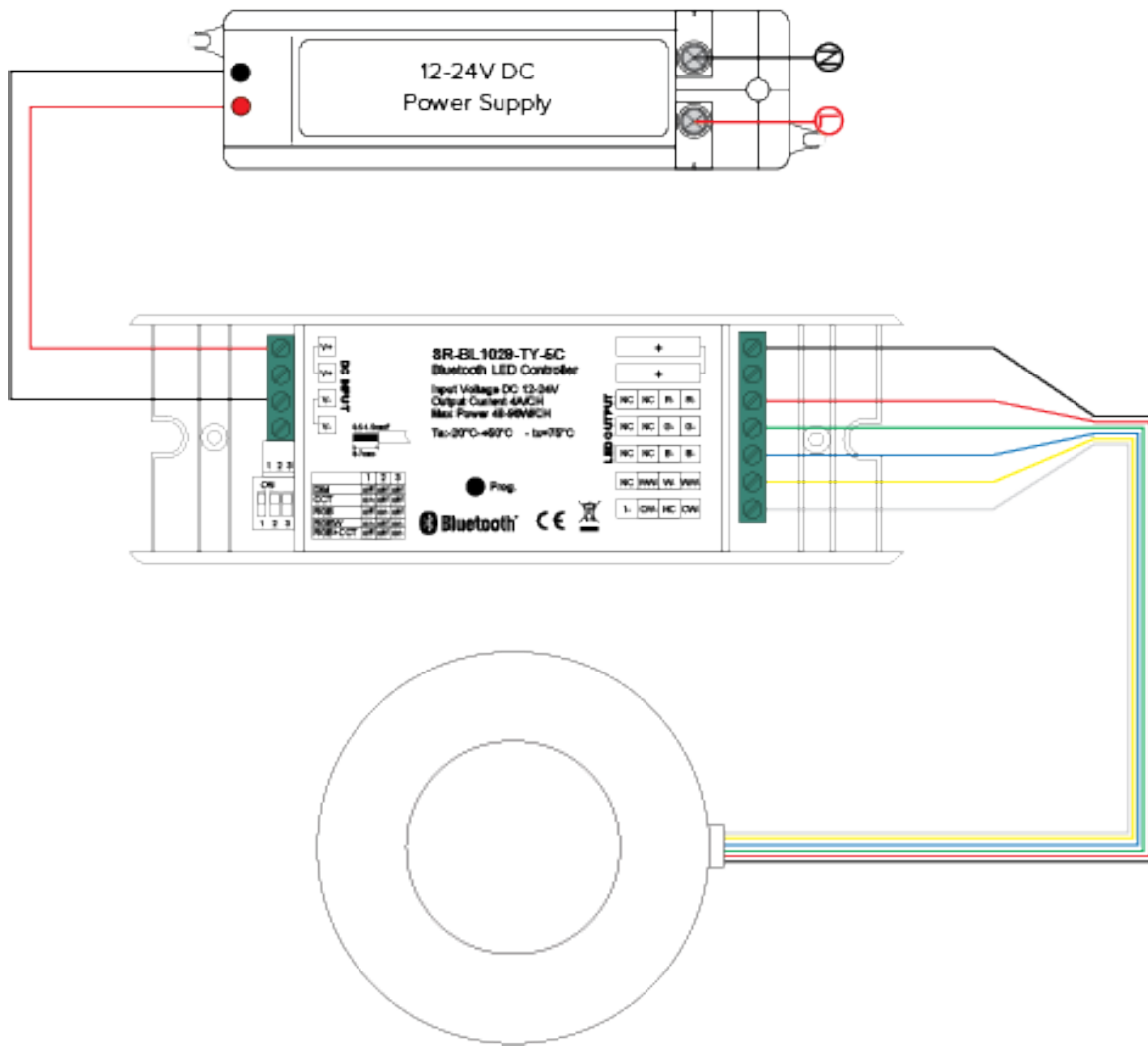
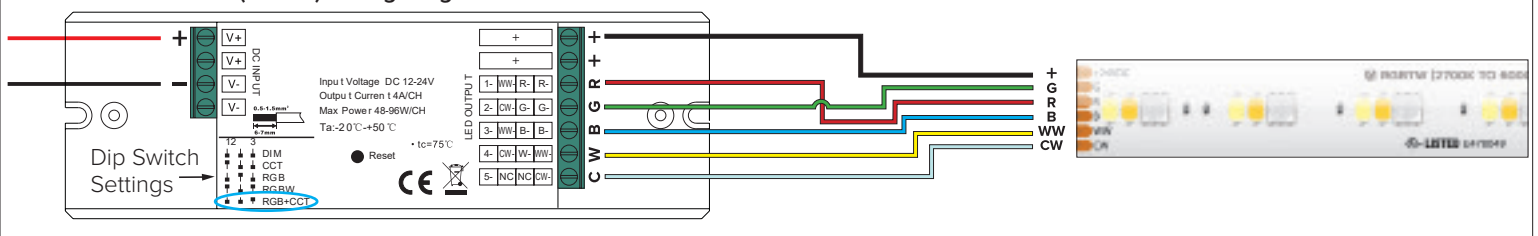


FIGURE 4 - RGB+TW (6-Wire) Wiring Diagram



**INSTALLATION INSTRUCTIONS**

SPKPL-PUCK-RGBTW-1P (WH &amp; BK)



**CONTROLLING THE FIXTURE:** These puck lights can be controlled via DMX (REC-DMX-RJ45A-5CH and DMX-RGBTW-1Z, sold separately) or via Bluetooth Wireless Technology using SPKPL-REC-TB-5CH with the Spektrum+ Smart Lighting App and/or the Spektrum+ Smart Switch (SPKPL-CTRL-W-RGBTW - sold separately). It is not intended to be used with a standard dimmer switch.

**USING THE SPEKTRUM+ SMART LIGHTING APP:** Please follow the Spektrum+ Smart Lighting App guide.the Spektrum+ Smart Lighting App guide.

**CARE AND MAINTENANCE:**

1. Use only a soft cloth to clean the fixture. Harsh chemicals will damage the finish.
2. Do not wipe the fixture with a rough cloth that may scratch the finish or the lens.

**FCC Compliance Statement**

This device complies with Part 15 of the FCC Rules. Operation is subject to the following two conditions:

1. This device may not cause harmful interference, and
2. This device must accept any interference received, including interference that may cause undesired operation.

**FCC WARNING**

This equipment has been tested and found to comply with the limits for a Class B digital device, pursuant to Part 15 of the FCC Rules. These limits are designed to provide reasonable protection against harmful interference in a residential installation. This equipment generates, uses and can radiate radio frequency energy and, if not installed and used in accordance with the instructions, may cause harmful interference to radio communications. However, there is no guarantee that interference will not occur in a particular installation. If this equipment does cause harmful interference to radio or television reception, which can be determined by turning the equipment off and on, the user is encouraged to try to correct the interference by one or more of the following measures:

- Reorient or relocate the receiving antenna.
- Increase the separation between the equipment and the receiver.
- Connect the equipment into an outlet different from that to which the receiver is connected.
- Consult the dealer or an experienced radio/TV technician for help.

Changes or modifications not expressly approved by the party responsible for compliance could void the user's authority to operate the equipment.

**5-YEAR LIMITED PRODUCT WARRANTY**

This product is warranted to be free from defects in material and workmanship for a period of five (5) years from the date of purchase. Products that prove to be defective during this period will be either repaired (i.e. replacement of defective electronics, defective parts of the fixture housing, lens, wiring, switching or lamp sockets; excluding the lamp) or replaced, at the discretion of American Lighting, Inc claims for defective products must be submitted to the retail location from which the product was purchased within the warranty period. Upon submission of proper return claim documentation and product to American Lighting, Inc by the retailer, American Lighting, Inc reserves the right to inspect the product for misuse or abuse. Claims for indirect or consequential damages or for product that, in American Lighting, Inc's opinion has been misused, will be denied. This is a warranty of product reliability only and not a warranty of merchantability or fitness for a particular purpose. American Lighting, Inc shall have no liability whatsoever in any event for payment of incidental or consequential damages, including, without limitations, installation costs and damages for personal injury and property. These products may represent a possible shock or fire hazard if improperly installed or altered in any way. This warranty applied only to product that has been properly installed in accordance with instruction sheet and current local codes and/or the National Electrical Code. Warranty does not apply to any product that has been improperly installed or in situation where components have been altered in any way. This warranty: (1) excludes expendable parts including but not limited to light bulbs, batteries; (2) carries a 2-year finish warranty protecting finish against tarnishing, flaking, and discolorations; and (3) does not cover any losses, labor, injuries to persons/property or costs. This warranty does give you specific legal rights and you may have other rights, which vary from state to state. Be careful, it is recommended that installation be done by a qualified professional; the purchaser has sole responsibility for proper installation in compliance with all state and local code requirements. Seller's employees are not qualified to advise you on the use of this Merchandise. Any oral representation(s) made will not be binding on seller or its employees. The rights under this limited warranty are to the original purchaser of the Merchandise and may not be transferred to any subsequent owner. This limited warranty is in lieu of all warranties, expressed or implied including warranties or merchantability and fitness for a particular purpose. Seller shall not be liable for any special, incidental, or consequential damages. The sold exclusive remedy against the seller will be for the replacement of any defects as provided herein, as long as the seller is willing or able to replace this product or is willing to refund the purchase price as provided above.

**For questions/comments, technical assistance, or repair parts - Please call toll free at 1-800-285-8051 (M-F 8am-5pm), CST)**