

FORA 3CCT SERIES

120V AC Security Light

The Fora series takes a more modern approach to security and area lighting. Featuring sleek adjustable fixture heads, the Fora series produces up to 1700 lumens with three selectable color temperatures ranging from a 3000K, 4000K, and 5000K settings.

PROJECT:
TYPE:
LOCATION:
CATALOG NUMBER:

- Selectable 3-CCT: 3000K / 4000K / 5000K
- Up to 1700 lumen output performance
- 120V AC input - No driver needed
- Fully adjustable pivot head design
- Available in black and white finishes
- cETLus Listed - Outdoor Rated
- 35,000 hours rated life



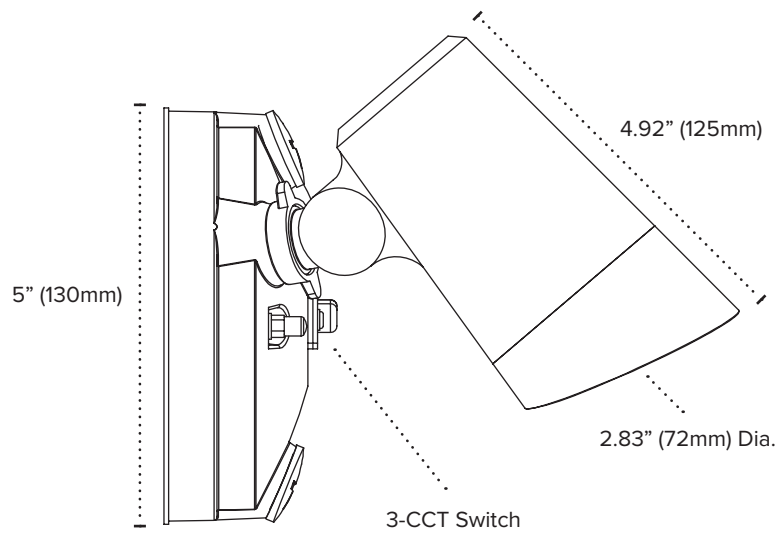
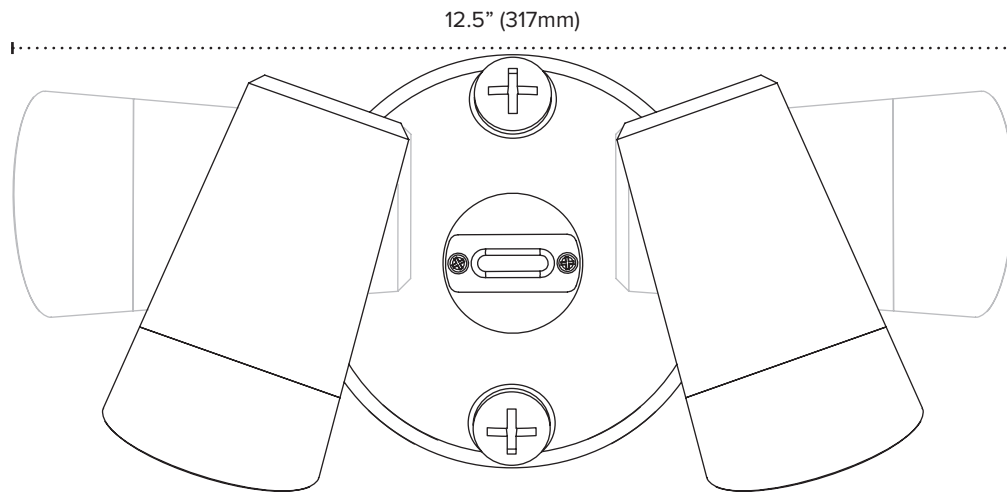
FL2S QUICK SPECS

SERIES	FL2S
INPUT VOLTAGE	120V AC
WATTAGE	20W
LUMENS	Up to 1700Lm
CCT OPTIONS	3000K / 4000K / 5000K
CRI	80+
MOUNTING	Surface mount
DIMMING	Non-dimmable
BEAM ANGLE	99°
OPERATING TEMP	-20°C (-4°F) to 40°C (104°F)
CERTIFICATIONS	cETLus listed - wet locations
RATED LIFE	35,000 Hours

FL2S ORDERING INFORMATION

ITEM NUMBER	DESCRIPTION	FINISH	VOLTAGE	CCT	CRI	LUMENS	WATTAGE
FL2S-3CCT-BK	Fora flood light	Black	120V AC	3CCT	80+	1450	20W
FL2S-3CCT-WH	Fora flood light	White	120V AC	3CCT	80+	1700Lm	20W

FL2S QUICK DIMENSIONS





AMERICAN LIGHTING WARRANTY

LIMITED WARRANTY FOR LED PRODUCTS: 3 YEARS

LIMITED PRODUCT WARRANTY

Our products are warranted to be free from defects in material and workmanship for the warranty period listed. Warranty periods begin from the date of shipment from American Lighting Inc's warehouse to the original purchaser. Products that prove to be defective during their specific warranty period will be either repaired or replaced, at the sole discretion of American Lighting Inc. Claims for defective products must be submitted in writing to American Lighting Inc's RGA Department within the warranty period. Upon approval of such return, American Lighting Inc reserves the right to inspect the product for misuse or abuse. Claims for indirect or consequential damages or for product that, in American Lighting Inc's opinion, has been misused will be denied. This is a warranty of product reliability only and not a warranty of merchantability or fitness for a particular purpose. American Lighting Inc shall have no liability whatsoever in any event for payment of incidental or consequential damages, including, without limitations, installation costs and/or damages for personal injury and/or property. These products may represent a possible shock or fire hazard if improperly installed or altered in any way. This warranty does not apply to any product that has not been properly installed in accordance with current local codes and/or the National Electrical Code. Products that require a transformer, driver, or power supply must be used in conjunction with American Lighting Inc's recommended power supply to ensure safety and retain product warranty.

PRODUCT SPECIFICATIONS

For the latest product information, updates, instructions and details concerning specifications, colors, finishes, performance, installation and design, visit www.americanlighting.com. Color may vary from the color printed herein due to limitations in photographic and printing processes. American Lighting Inc. reserves the right to change product specifications without notice. Other product specifications such as color temperature, wavelength characteristics and lumen output are subject to production limitations and may vary. LED technology is changing rapidly, and not all color temperatures and performance levels can be duplicated at a later time. Best practices include purchasing 10-15% more for a particular project on the same initial order where white LED color temperatures must be maintained over project and product life. Eventual product replacement should be considered at layout and design stages. Best practices also include testing connections and product performance prior to mounting and/or installing.

AVERAGE LIFE

Average incandescent lamp life, rated life and average life are terms used to describe the number of hours at which half of the lamps have failed. For LEDs, the hours of rated life specify the point where 70% of original lumen output is reached. Below this point, the effective life is over, however, the LED may still emit light. Individual results may vary with actual environmental conditions including, but not limited to, proper installation, ambient temperature and/or input voltage fluctuations.