

# LED CHANNEL RAYS

## Static White Stranded Channel Ray Modules

Channel Ray LED Modules are designed to be a versatile solution for sign and display lighting applications. With high quality optics, each module creates broad, uniform illumination without hotspots. 3M™ adhesive backing simplifies set up and take down for temporary applications like trade show displays.

- Adhesive backing allows for easy, secure installation
- Maximum runs up to 20 modules
- IP66 rating - suitable for wet locations
- cURus recognized
- 50,000 hours rated life
- 20 modules per string



### STATIC WHITE CHANNEL RAYS QUICK SPECS

<b>VOLTAGE</b>	24V DC
<b>WATTAGE</b>	1.08W / 1.2W per module
<b>LUMENS</b>	68Lm / 220Lm per module
<b>CCT OPTIONS</b>	3000K / 4000K
<b>CRI</b>	70+
<b>MOUNTING</b>	Surface mount via 3M® Tape
<b>DIMMING</b>	Non-Dimmable
<b>BEAM ANGLE</b>	170°
<b>OPERATING TEMP</b>	-25°C (13°F) to 60°C (140°F)
<b>CERTIFICATIONS</b>	cETLus Listed - Wet Locations - IP66 Housing
<b>RATED LIFE</b>	50,000 Hours

PROJECT:
TYPE:
LOCATION:
CATALOG NUMBER:

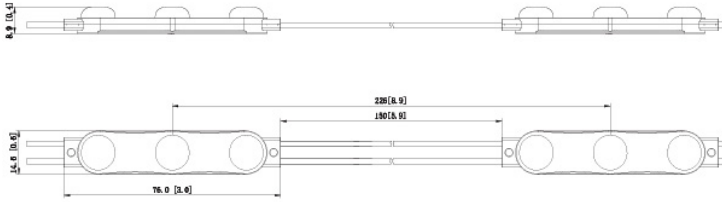


### STATIC WHITE CHANNEL RAYS ORDERING INFORMATION

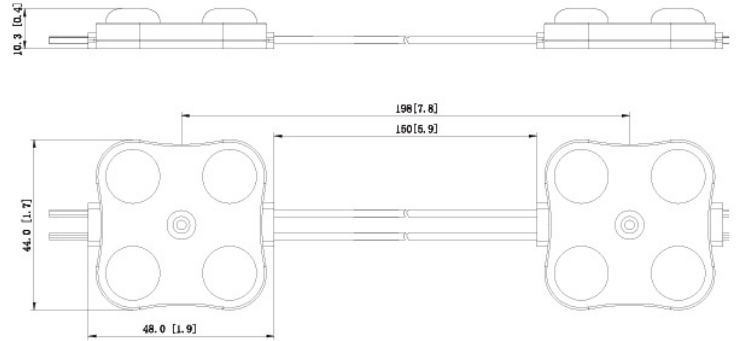
ITEM NUMBER	STRING LENGTH	MODULES PER STRING	LEDS PER MODULE	MODULE SPACING	VOLTAGE	CCT	CRI	LUMENS	WATTAGE PER MODULE
CR3-24VDC-30-5-20	170"	20	3	5" (130mm)	24V DC	3000K	70+	68Lm	1.08W
CR3-24VDC-60-5-20	170"	20	3	5" (130mm)	24V DC	6000K	70+	68Lm	1.08W
CR4-24VDC-30-5-20	167.8"	20	4	5.9" (150mm)	24V DC	3000K	70+	220Lm	1.2W
CR4-24VDC-60-5-20	167.8"	20	4	5.9" (150mm)	24V DC	6000K	70+	220Lm	1.2W

**STATIC WHITE CHANNEL RAYS QUICK DIMENSIONS**

CR3-24VDC-XX-5-20

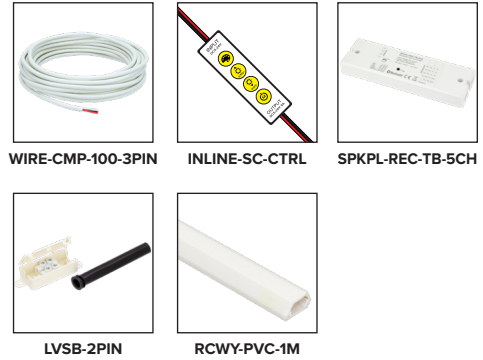


CR4-24VDC-XX-5-20



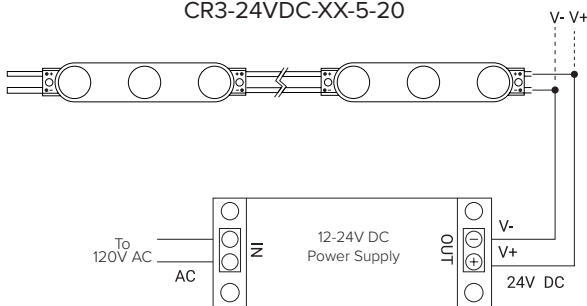
**STATIC WHITE CHANNEL RAYS ACCESSORIES**

ITEM NUMBER	DESCRIPTION
WIRE-CMP-100-3PIN	100' (16/3) In-wall Rated Wire Spool
INLINE-SC-CTRL	Simple Select In-line Controller (Single Color)
SPKPL-REC-TB-5CH	Spektrum+™ Smart Receiver (App Controlled)
LVS-2PIN	2pin Low-Voltage Terminal Block
RCWY-PVC-1M	1m Plastic Wire Cover Raceway



**STATIC WHITE CHANNEL RAYS QUICK SET-UP**

CR3-24VDC-XX-5-20



CR4-24VDC-XX-5-20

