

Intelligent Touch Panel

[Bluetooth + DMX / Programmable]



TW

RGBW

RGBTW

Manual

www.AMERICANLIGHTING.com



Product Introduction

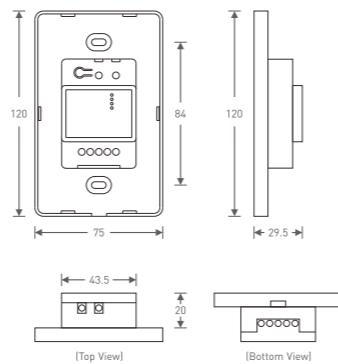
The Intelligent Touch Panel is an American base wall switch utilizing DMX signals. It is a simple but elegant design with C NC aviation aluminum frame and 2.5D tempered glass. The panel is suitable for multi-scene and multi-zone lighting control applications.

Technical Specs

Model	CTRLW-DMXB-TW-4Z	CTRLW-DMXB-RGBW-4Z	CTRLW-DMXB-RGBTW-4Z
Control mode	TW	RGBW	RGBTW
Input voltage	12-24VDC, Powered by Class2		
Output signal	DMX512		
Zones	4		
Working temperature	-20°C-55°C		
Dimensions(LxWxH)	120x75x30(mm)		
Package size(LxWxH)	158x113x62(mm)		
Weight(G.W.)	225g		

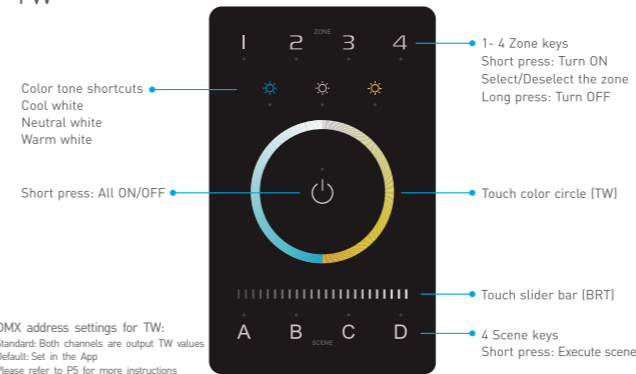
Product Size

Unit: mm



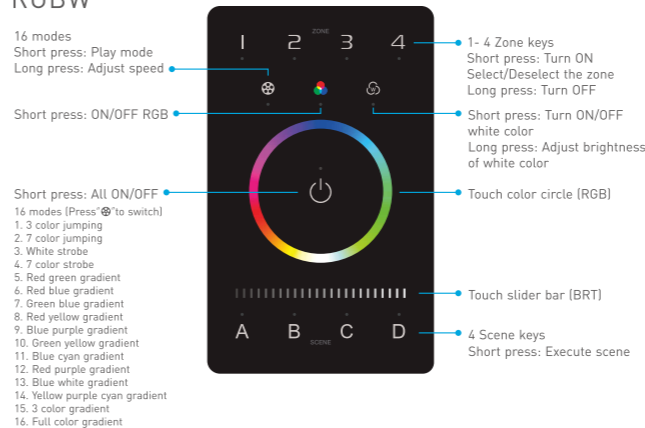
Key Functions

TW



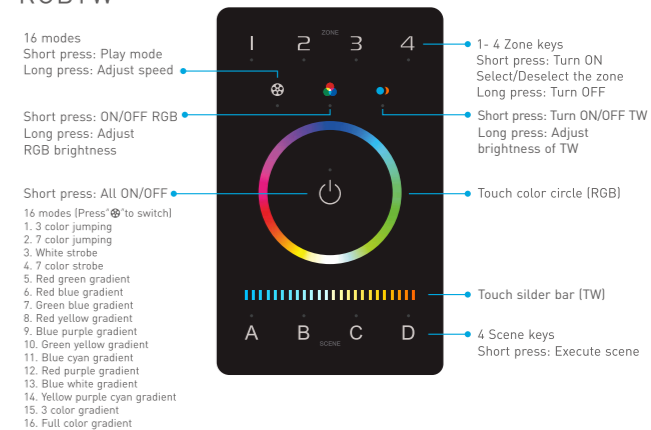
DMX address settings for TW:
Standard: Both channels are output TW values.
Default: Set in the App
Please refer to PS for more instructions

RGBW

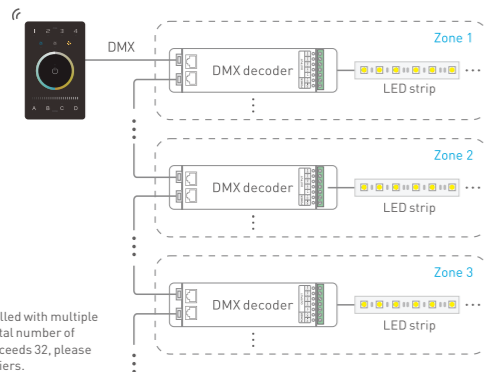


Key Functions

RGBTW



DMX Application Diagram



Each zone can be installed with multiple decoders. When the total number of decoders in 4 zones exceeds 32, please add DMX signal amplifiers.

Warning

Changes or modifications to this unit not expressly approved by the party responsible for compliance could void the user's authority to operate the equipment. This device complies with Part 15 of the FCC Rules.

Operation is subject to the following two conditions:

[1] This device may not cause harmful interference, and [2] this device must accept any interference received, including interference that may cause undesired operation.

Note: This equipment has been tested and found to comply with the limits for a Class B digital device, pursuant to part 15 of the FCC Rules. These limits are designed to provide reasonable protection against harmful interference in a residential installation. This equipment generates, uses and can radiate radio frequency energy and, if not installed and used in accordance with the instructions, may cause harmful interference to radio communications. However, there is no guarantee that interference will not occur in a particular installation. If this equipment does cause harmful interference to radio or television reception, which can be determined by turning the equipment off and on, the user is encouraged to try to correct the interference by one or more of the following measures:

- Reorient or relocate the receiving antenna.
- Increase the separation between the equipment and receiver.
- Connect the equipment into an outlet on a circuit different from that to which the receiver is connected.
- Consult the dealer or an experienced radio/TV technician for help.

To maintain compliance with FCC's RF exposure guidelines, the distance must be at least 20cm between the radiator and your body, and fully supported by the operating and installation configurations of the transmitter and its antenna(s).

* This manual is subject to changes without further notice. Product functions depend on the goods. Please feel free to contact our official distributors if you have any question.

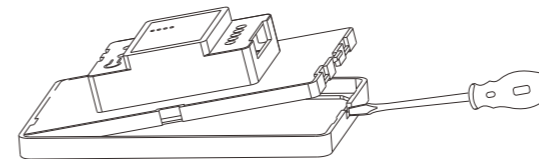
DMX Channel Output Sheet

Addresses	Types		RGBW	RGBTW
	Zones	TW		
	CT1	CT2		
1	C1	BRT1	R1	R1
2	W1	CT1	G1	G1
3	C2	BRT2	B1	B1
4	W2	CT2	W1	BRT1
5	C3	BRT3	R2	CT1
6	W3	CT3	G2	R2
7	C4	BRT4	B2	G2
8	W4	CT4	W2	B2
9	C1	BRT1	R3	BRT2
10	W1	CT1	G3	CT2
11	C2	BRT2	B3	R3
12	W2	CT2	W3	G3
13	C3	BRT3	R4	B3
14	W3	CT3	G4	BRT3
15	C4	BRT4	B4	CT3
16	W4	CT4	W4	R4
17	C1	BRT1	R1	G4
18	W1	CT1	G1	B4
19	C2	BRT2	B1	BRT4
20	W2	CT2	W1	CT4
⋮	⋮	⋮	⋮	⋮
500	W2	CT2	W1	CT4
⋮	⋮	⋮	⋮	/
512	W4	CT4	W4	/

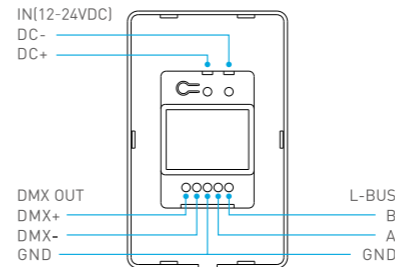
* Every 8 addresses of CT1 and CT2 are circulated in 4 zones, every 16 RGBW addresses are circulated in 4 zones, every 20 RGBTW addresses are circulated in 4 zones.

Installation Instructions

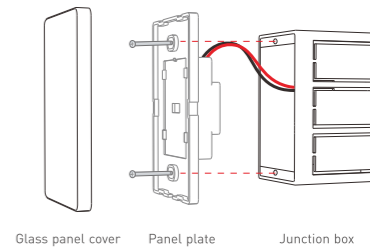
Step 1: Remove the panel plate with a flathead screwdriver, as shown below.



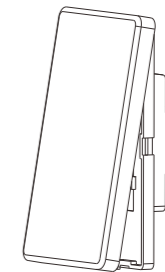
Step 2: Attach the wires to the panel, as shown in the diagram below. Please be sure to turn off the power to the circuit at the circuit breaker or fuse box before attaching the wires.



Step 3: Install the panel plate. Once the wires are attached correctly, you can gently fold any excess wire and compress the panel into the junction box. Tighten the screws to secure the panel plate to the box.



Step 4: Put the panel cover in place. Gently snap the panel cover onto the plate.



Attentions

- Please use in spacious and open space. Avoid metal obstructions above and in front of products.
- Please use in a cool and dry environment.
- No disassembly of products so as not to affect the warranty.
- Avoid direct contact with light and heat.
- Please do not open, modify, repair or maintain products without authorization, otherwise warranties are not allowed.