

INSTALLATION INSTRUCTIONS OMNISL-3CCT



⚠ WARNING

These products may represent a possible shock or fire hazard if improperly installed or attached in any way. Products should be installed in accordance with these instructions, current electrical codes, and/or the current National Electric Code (NEC).

⚠ WARNING

To avoid electrical shock, disconnect or disable power at the source prior to installation or maintenance.

⚠ WARNING

To avoid electrical shock and/or damage to product, use only with 24V DC power supplies. Use only with 24V DC drivers with a wattage capacity that can handle the total load. Factory warranty will be void if used with a non-recommended power supply, transformer or driver.

SAFETY INFORMATION

- Read all instructions before beginning; Save these instructions for future use.
- To reduce the risk of fire, electric shock, or injury to persons, pay close attention to this manual and stay within its guidelines when using this product.
- The Omni Slim Puck has an ingress protection rating of IP20 and is intended for indoor use in dry locations only. Do not use in the vicinity of splashing water, standing water or liquids; do not submerge in water or liquids.
- Do not use if there is any damage to the unit or to the insulation on any cords; Inspect periodically.
- Do not route cords or units through walls, doors, windows, or any similar part of a building structure. Only route cords so they will not be pinched or damaged.
- Do not secure unit or its power cord with staples, nails, or any other sharp objects that may damage fixture.
- Not intended for recessed installation inside enclosed cabinetry (cabinetry that is not open at the top). Not intended for recessed installation in ceilings or soffets.
- Do not alter plugs or connectors.
- Size your 24V DC driver appropriately for your run distance. Be sure not to load a driver to 100% as this will reduce its efficiency; a 90% maximum load is recommended.
- Keep away from curtains, draperies, and other similar flammable materials.
- LEDs are bright! Do not look directly at lighted fixture.
- LEDs are not serviceable. Do not attempt to open or service LEDs or LED housing.

ADDITIONAL SAFETY INFORMATION:

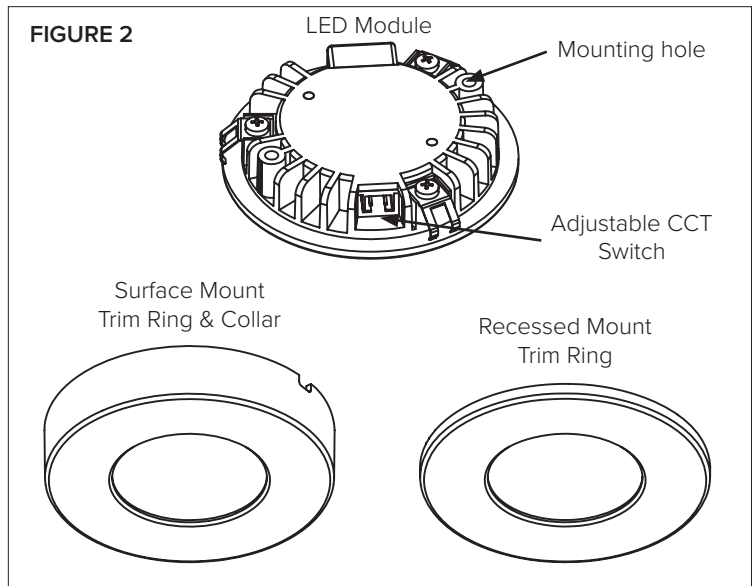
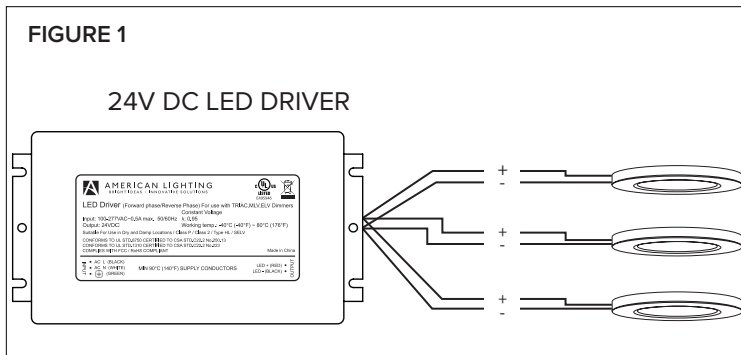
Omni Slim Pucks utilize a constant voltage design and have a maximum number of pucks that can be connected to a driver (depending upon the capacity and type of installation). Do not exceed capacity of the driver used. Each Omni Slim 3CCT puck consumes 4 watts. For all drivers, a maximum load less than or equal to 80% of capacity will result in maximum driver life.

PRIOR TO INSTALLATION:

Disconnect power at source.

Omni Slim 3CCT Pucks (OMNISL-3CCT) are able to build systems using one driver (depending on capacity of driver) by homerunning pucks to the driver. Bulk pucks have a 72" 24AWG lead wire with each of the two conductors stripped back by 3/8" for attaching to a hardwire LED driver with a regulated 24V DC output. See Figure 1.

Determine the quantities and locations of the Omni Slim 3CCT pucks to be installed, determine the load, and select an appropriate driver that will support the total load.

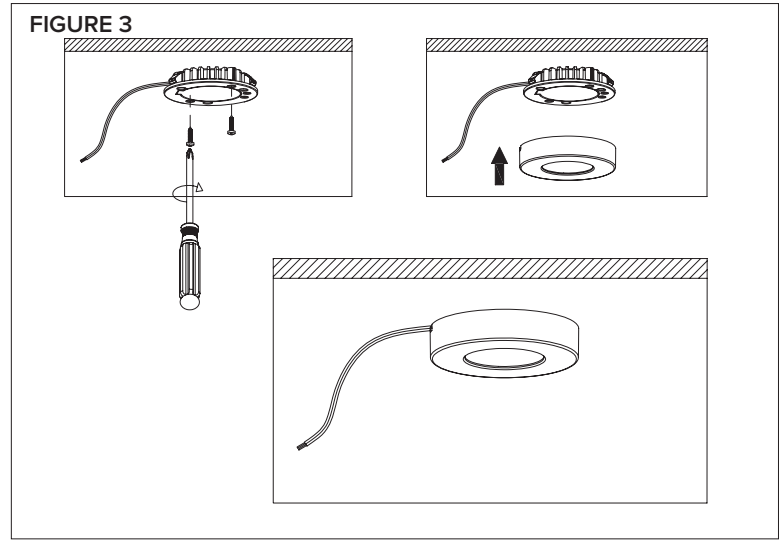


INSTALLATION INSTRUCTIONS OMNISL-3CCT



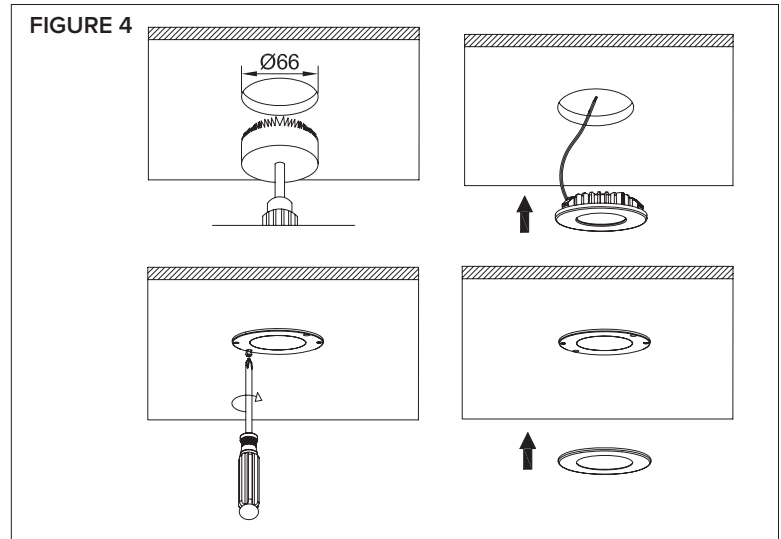
SURFACE MOUNTING OMNI SLIM 3CCT:

1. Determine desired locations for each puck and mark the locations of the mounting holes on the mounting surface using the LED module as a template. Note: Each puck has a 72" lead wire which needs to be routed to a driver (sold separately). Be sure to locate the puck lights and driver so that each puck light can reach without strain.
2. Secure LED module using appropriate mounting hardware.
3. With lead wire routed properly, attach surface mount trim ring and collar to the LED module.
4. Trim ring and collar can easily be replaced with alternate finish option included in box. Just pull the trim ring off of the LED module and push the new one on.



RECESSED MOUNTING OMNI SLIM 3CCT:

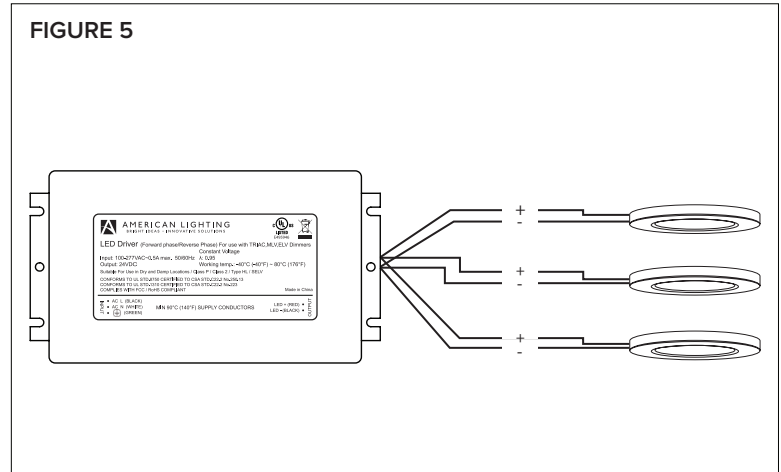
1. Remove the trim ring and collar prior to starting.
2. Determine desired locations for each puck and mark the locations of the mounting holes on the mounting surface using the LED module as a template. Note: Each puck has a 72" lead wire which needs to be routed to a driver (sold separately). Be sure to locate the puck lights and driver so that each puck light can reach without strain.
3. Drill a 2.6" (66mm) hole in the center of the holes marked in Step 2.
4. Route the wires up through the mounting hole to the driver. See Figure 4.
5. Secure the LED module to the mounting surface using the appropriate mounting hardware.
6. Attach trim ring to LED module via attached magnets..
7. Trim ring can easily be replaced with alternate finish option included in box. Just pull the trim ring off the LED module.



CONNECTING POWER:

Combining puck lights that consume 4 watts each will need a driver with a capacity to handle the attached load. For sets of up to 13 puck lights, ADPT-DRJ-60-24 (American Lighting driver, sold separately) is recommended. This is the maximum number of pucks that can be connected to this driver; do not exceed the maximum recommended.

1. Determine the best location for the driver considering the 72" lead wire length on each puck.
2. Route each of the lead wires from the puck lights to the driver.
3. Separate the + and - lead wires, then attach them to the driver matching polarity.
4. Connect driver to power source.
5. Reconnect power at source.



CARE AND MAINTENANCE:

1. For cleaning, use a soft, dry or damp cloth. Do not use harsh chemicals or abrasives.
2. LEDs are no serviceable. Do not attempt to open or service LEDs or LED housing. Do not attempt to remove or change the LEDs in fixture.