

# VOLTA SERIES

## 120V Selectable 3CCT Wall Sconces

The Volta wall sconce adds the perfect lighting finish to any outdoor space. With its cylindrical profile and modern appearance, the Volta is available in an up and down, as well as single downlight version for optimal illumination. Making it ideal for a number of commercial or residential outdoor lighting applications.

- Selectable 3-CCT: 3000K / 4000K / 5000K
- 800 Lumen output
- Up to 20W per fixture (Dual)
- Die-cast aluminum base with stretched aluminum body
- Available in two versions: single or dual side directional options
- Dimmable with most TRIAC / ELV dimmers
- Available in designer black finish
- cETLus Listed, IP65 (wet location)
- 35,000 hours rated life



### VOLTA SERIES QUICK SPECS

<b>VOLTAGE</b>	120V AC
<b>WATTAGE</b>	10W / 20W
<b>LUMENS</b>	800Lm
<b>CCT OPTIONS</b>	3-CCT 3000K / 4000K / 5000K
<b>CRI</b>	80+
<b>DIMMING</b>	TRIAC / ELV (10 - 100%)
<b>BEAM ANGLE</b>	108°
<b>OPERATING TEMP</b>	-10°C (14°F) to 50°C (122°F)
<b>CERTIFICATIONS</b>	cETLus Listed - Wet Location
<b>RATED LIFE</b>	35,000 Hours

PROJECT:
TYPE:
LOCATION:
CATALOG NUMBER:



VOLTA SINGLE WALL SCONCE



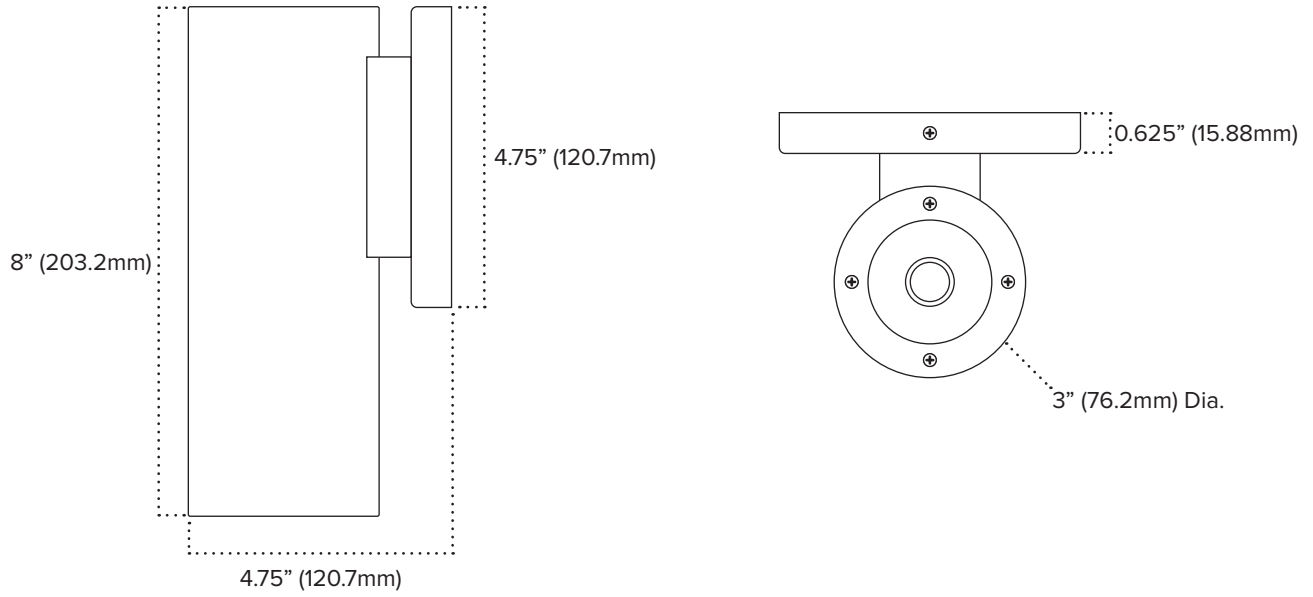
VOLTA DUAL WALL SCONCE

### VOLTA SERIES ORDERING INFORMATION

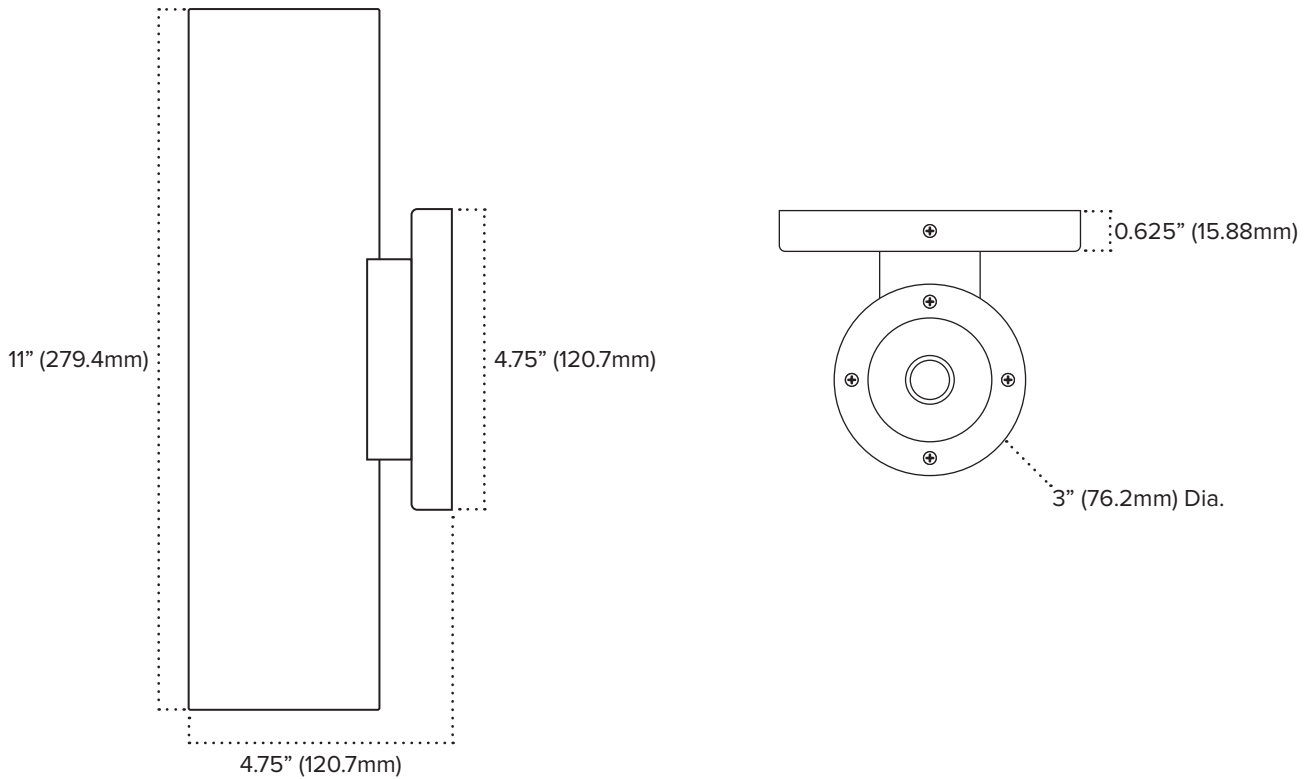
ITEM NUMBER	DESCRIPTION	FINISH	VOLTAGE	CCT	CRI	LUMENS	WATTAGE	DIMMING
<b>VLTS-3CCT-BK</b>	Volta Single	Black	120V	3-CCT	80+	800Lm	10W	TRIAC / ELV
<b>VLTD-3CCT-BK</b>	Volta Dual	Black	120V	3-CCT	80+	800Lm	20W	TRIAC / ELV

**VOLTA SERIES** DIMENSIONS

**VOLTA SINGLE**



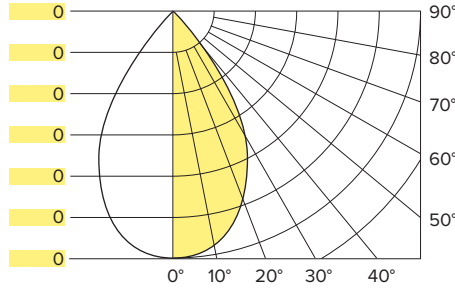
**VOLTA DUAL**



**VOLTA SERIES PHOTOMETRICS**

**VOLTA SINGLE**

<b>PART NUMBER</b>	VLTS-3CCT-BK
<b>BEAM SPREAD</b>	150° Very Wide Flood
<b>LUMENS</b>	750Lm
<b>WATTAGE</b>	10W
<b>EFFICACY</b>	XXLm per watt
<b>CCT</b>	3000K
<b>CRI</b>	90

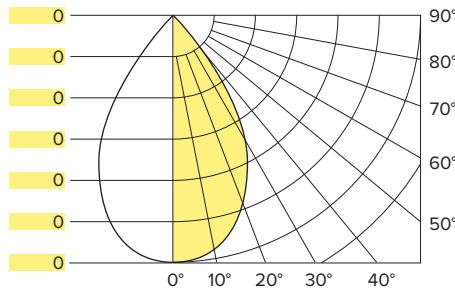


Foot Candles	Beam Dia.
500	4' xx.xx'
500	6' xx.xx'
500	8' xx.xx'
500	10' xx.xx'
500	12' xx.xx'
500	14' xx.xx'

Distance From Light

**VOLTA DUAL**

<b>PART NUMBER</b>	VLTD-3CCT-BK
<b>BEAM SPREAD</b>	150° Very Wide Flood
<b>LUMENS</b>	750Lm
<b>WATTAGE</b>	10W
<b>EFFICACY</b>	XXLm per watt
<b>CCT</b>	3000K
<b>CRI</b>	90



Foot Candles	Beam Dia.
500	4' xx.xx'
500	6' xx.xx'
500	8' xx.xx'
500	10' xx.xx'
500	12' xx.xx'
500	14' xx.xx'

Distance From Light

**VOLTA SERIES RECOMMENDED DIMMERS**

BRAND	MODEL #	TYPE	DIMMING RANGE



# AMERICAN LIGHTING WARRANTY

## LIMITED WARRANTY FOR LED PRODUCTS: 3 YEARS

### LIMITED PRODUCT WARRANTY

Our products are warranted to be free from defects in material and workmanship for the warranty period listed. Warranty periods begin from the date of shipment from American Lighting Inc's warehouse to the original purchaser. Products that prove to be defective during their specific warranty period will be either repaired or replaced, at the sole discretion of American Lighting Inc. Claims for defective products must be submitted in writing to American Lighting Inc's RGA Department within the warranty period. Upon approval of such return, American Lighting Inc reserves the right to inspect the product for misuse or abuse. Claims for indirect or consequential damages or for product that, in American Lighting Inc's opinion, has been misused will be denied. This is a warranty of product reliability only and not a warranty of merchantability or fitness for a particular purpose. American Lighting Inc shall have no liability whatsoever in any event for payment of incidental or consequential damages, including, without limitations, installation costs and/or damages for personal injury and/or property. These products may represent a possible shock or fire hazard if improperly installed or altered in any way. This warranty does not apply to any product that has not been properly installed in accordance with current local codes and/or the National Electrical Code. Products that require a transformer, driver, or power supply must be used in conjunction with American Lighting Inc's recommended power supply to ensure safety and retain product warranty.

### PRODUCT SPECIFICATIONS

For the latest product information, updates, instructions and details concerning specifications, colors, finishes, performance, installation and design, visit [www.americanlighting.com](http://www.americanlighting.com). Color may vary from the color printed herein due to limitations in photographic and printing processes. American Lighting Inc. reserves the right to change product specifications without notice. Other product specifications such as color temperature, wavelength characteristics and lumen output are subject to production limitations and may vary. LED technology is changing rapidly, and not all color temperatures and performance levels can be duplicated at a later time. Best practices include purchasing 10-15% more for a particular project on the same initial order where white LED color temperatures must be maintained over project and product life. Eventual product replacement should be considered at layout and design stages. Best practices also include testing connections and product performance prior to mounting and/or installing.

### AVERAGE LIFE

Average incandescent lamp life, rated life and average life are terms used to describe the number of hours at which half of the lamps have failed. For LEDs, the hours of rated life specify the point where 70% of original lumen output is reached. Below this point, the effective life is over, however, the LED may still emit light. Individual results may vary with actual environmental conditions including, but not limited to, proper installation, ambient temperature and/or input voltage fluctuations.