

SPEC DOWNLIGHT

6" & 8" Performance Downlights

Make commercial retrofit projects easier with the Spec Series performance downlights. Select from five color temperatures with just the flip of a switch ranging from 2700K up to 5000K. Spec series downlights are not only 0-10V dimmable, but also feature three light output settings. Allowing for Low, Medium, and High performance levels to be set on the fly making the Spec series downlights a favorite among installers.

- Excellent color rendering (90+ CRI)
- Five selectable color temperature settings: 2700K / 3000K / 3500K / 4000K / 5000K
- Three selectable wattage settings: (Low / Medium / High)
6" = 12W / 18W / 25W / 8" = 20W / 28W / 38W
- Lumen output up to 3100 Lumens (8")
- Dimmable with most 0-10V dimmers
- Remote driver with hardwire junction box
- Type IC and cETLus Listed for wet locations
- ENERGY STAR certified, JA8 Compliant
- 50,000 hours rated life

PROJECT:
TYPE:
LOCATION:
CATALOG NUMBER:



SPEC 6



SPEC 8



SPEC SERIES QUICK SPECS

VOLTAGE	120-277V AC, 60Hz
WATTAGE	Selectable - 12W / 18W / 25W (6") - 20W / 28W / 38W (8")
LUMENS	Up to 2300Lm @4000K (6") / Up to 3100Lm @4000K (8")
CCT OPTIONS	5CCT - 2700K / 3000K / 3500K / 4000K / 5000K
CRI	90+
DIMMING	0-10V (10 - 100%)
MOUNTING	Recessed Mount
BEAM ANGLE	70°
OPERATING TEMP	-20°C (-4°F) to 40°C (104F)
CERTIFICATIONS	cETLus Listed; Type IC; Suitable for wet locations
RATED LIFE	50,000 Hours

SPEC SERIES ORDERING INFORMATION

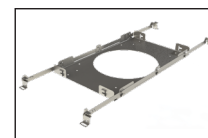
ITEM NUMBER	DESCRIPTION	FINISH	VOLTAGE	CCT	CRI	LUMENS	WATTAGE	DIMMING
SPEC6-5CCT-AZ	Spec 6	Alzak	120-277V	5-CCT	90+	Up to 2300Lm	Up to 25W	0-10V
SPEC8-5CCT-AZ	Spec 8	Alzak	120-277V	5-CCT	90+	Up to 3100Lm	Up to 38W	0-10V

SPEC SERIES ACCESSORIES

ITEM NUMBER	DESCRIPTION
RP-2/4/6	6" New Construction Rough-in Plate w/Hanger Bars
RP-EM8	8" New Construction Rough-in Plate w/Hanger Bars



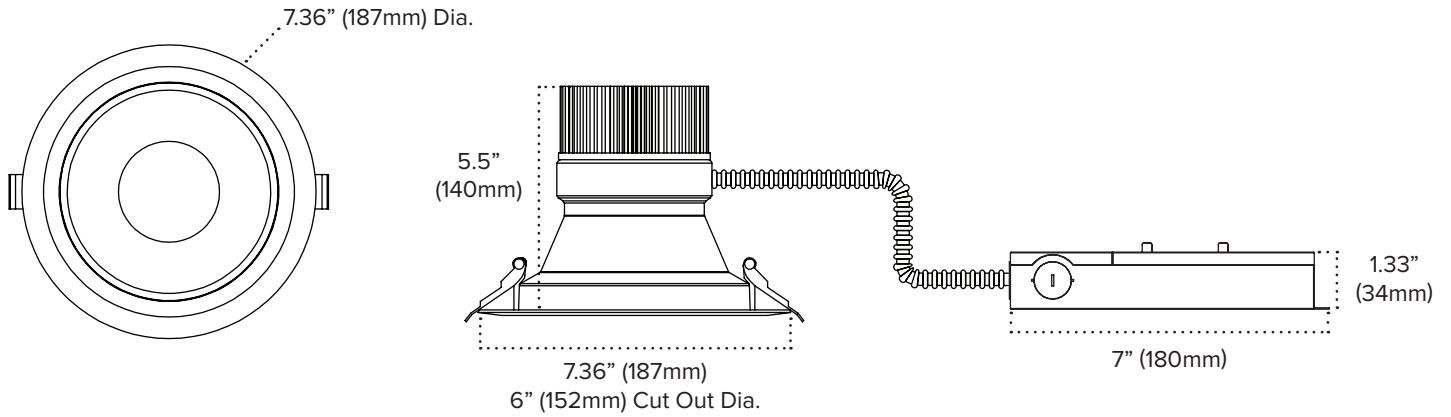
6" Rough-in Plate



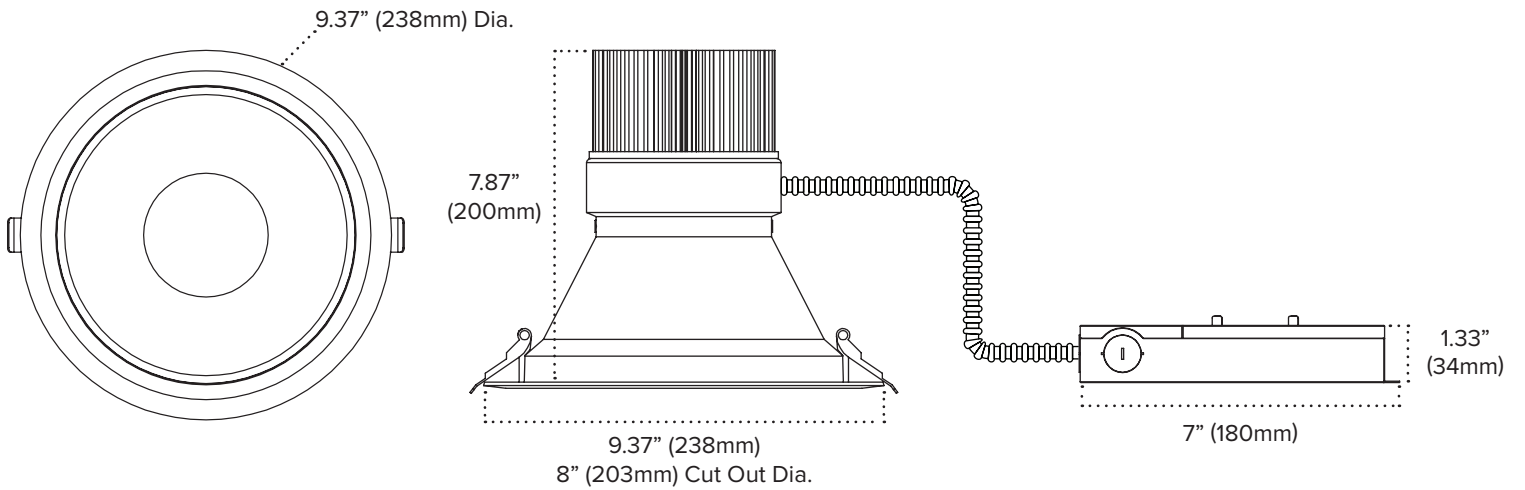
8" Rough-in Plate

SPEC SERIES QUICK DIMENSIONS

SPEC 6



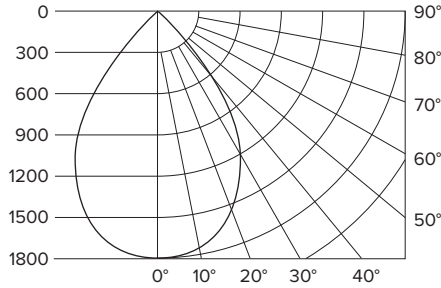
SPEC 8



SPEC SERIES PHOTOMETRICS

SPEC6

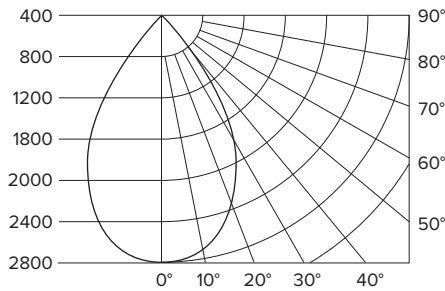
PART NUMBER	SPEC6-5CCT-AZ
BEAM SPREAD	57.3°
LUMENS	2300Lm
WATTAGE	25W
EFFICACY	92Lm per watt
CCT	@2700K
CRI	90



Avg. Foot Candles	Distance From Light	Beam Dia.
100.7	4'	4.4'
44.8	6'	6.6'
25.2	8'	8.7'
16.1	10'	10.9'
11.2	12'	13.1'
8.2	14'	15.3'

SPEC8

PART NUMBER	NV7-30-WH
BEAM SPREAD	67.7°
LUMENS	3100Lm
WATTAGE	38W
EFFICACY	81Lm per watt
CCT	@2700K
CRI	90



Avg. Foot Candles	Distance From Light	Beam Dia.
107.1	4'	5.4'
47.6	6'	8.0'
26.8	8'	10.7'
17.1	10'	13.4'
11.9	12'	16.1'
8.7	14'	18.8'

ADVANTAGE DIRECT SELECT SERIES 6" RECOMMENDED DIMMERS

BRAND	MODEL #	AC INPUT VOLTAGE	0-10V VOLTAGE	RATED POWER	MAX CURRENT OUT (MA)	MIN CURRENT IN (MA)	DIMMING RANGE (%)
Lutron	RMJS-8T-DV-B	120V	0.72-10.04V	5W	0.676	0.105	12-100%
				18W	0.485	0.068	12-100%
				12W	0.303	0.035	12-100%
		277V		25W	0.677	0.098	12-100%
				18W	0.492	0.068	12-100%
				12W	0.312	0.041	12-100%
Legrand	RH4FBL3PW	120V	0.56-5.9V	25W	0.497	0.089	8-70%
				18W	0.355	0.057	8-70%
				12W	0.218	0.028	8-70%
		277V		25W	0.493	0.091	8-70%
				18W	0.354	0.062	8-70%
				12W	0.223	0.036	8-70%
Lutron	DVSTV-LA	120V	0.63-10.1V	25W	0.679	0.098	8-100%
				18W	0.485	0.064	8-100%
				12W	0.303	0.033	8-100%
		277V		25W	0.679	0.098	8-100%
				18W	0.492	0.068	8-100%
				12W	0.311	0.039	8-100%

SPEC6-5CCT-AZ is not compatible with Leviton IP710-LFZ dimmer. Dimmer performance may vary in field application due to unknown external factors. Dimmers not included on the chart above are not necessarily incompatible; they have yet to be fully evaluated. Please reference dimmer manufacturer's instructions for more detailed information regarding performance and compatibility. Test data listed above is based on single lamp data. Recommended maximum 10 units connected to a single dimmer.

ADVANTAGE DIRECT SELECT SERIES 8" RECOMMENDED DIMMERS

BRAND	MODEL #	AC INPUT VOLTAGE	0-10V VOLTAGE	RATED POWER	MAX CURRENT OUT (MA)	MIN CURRENT IN (MA)	DIMMING RANGE (%)
Lutron	RMJS-8T-DV-B	120V	0.72-10.04V	38W	1.018	0.142	12-100%
				28W	0.735	0.096	12-100%
				20W	0.533	0.061	12-100%
		277V		38W	0.998	0.135	12-100%
				28W	0.734	0.098	12-100%
				20W	0.539	0.075	12-100%
Legrand	RH4FBL3PW	120V	0.56-5.9V	38W	0.721	0.121	8-70%
				28W	0.52	0.08	8-70%
				20W	0.375	0.053	8-70%
		277V		38W	0.701	0.117	8-70%
				28W	0.513	0.086	8-70%
				20W	0.377	0.062	8-70%
Lutron	DVSTV-LA	120V	0.63-10.1V	38W	1.017	0.128	8-100%
				28W	0.737	0.086	8-100%
				20W	0.534	0.058	8-100%
		277V		38W	1.01	0.122	8-100%
				28W	0.736	0.091	8-100%
				20W	0.541	0.068	8-100%

SPEC6-5CCT-AZ is not compatible with Leviton IP710-LFZ dimmer.
 Dimmer performance may vary in field application due to unknown external factors. Dimmers not included on the chart above are not necessarily incompatible; they have yet to be fully evaluated. Please reference dimmer manufacturer's instructions for more detailed information regarding performance and compatibility. Test data listed above is based on single lamp data. Recommended maximum 10 units connected to a single dimmer.



AMERICAN LIGHTING WARRANTY

LIMITED WARRANTY FOR LED PRODUCTS: 5 YEARS

LIMITED PRODUCT WARRANTY

Our products are warranted to be free from defects in material and workmanship for the warranty period listed. Warranty periods begin from the date of shipment from American Lighting Inc's warehouse to the original purchaser. Products that prove to be defective during their specific warranty period will be either repaired or replaced, at the sole discretion of American Lighting Inc. Claims for defective products must be submitted in writing to American Lighting Inc's RGA Department within the warranty period. Upon approval of such return, American Lighting Inc reserves the right to inspect the product for misuse or abuse. Claims for indirect or consequential damages or for product that, in American Lighting Inc's opinion, has been misused will be denied. This is a warranty of product reliability only and not a warranty of merchantability or fitness for a particular purpose. American Lighting Inc shall have no liability whatsoever in any event for payment of incidental or consequential damages, including, without limitations, installation costs and/or damages for personal injury and/or property. These products may represent a possible shock or fire hazard if improperly installed or altered in any way. This warranty does not apply to any product that has not been properly installed in accordance with current local codes and/or the National Electrical Code. Products that require a transformer, driver, or power supply must be used in conjunction with American Lighting Inc's recommended power supply to ensure safety and retain product warranty.

PRODUCT SPECIFICATIONS

For the latest product information, updates, instructions and details concerning specifications, colors, finishes, performance, installation and design, visit www.americanlighting.com. Color may vary from the color printed herein due to limitations in photographic and printing processes. American Lighting Inc. reserves the right to change product specifications without notice. Other product specifications such as color temperature, wavelength characteristics and lumen output are subject to production limitations and may vary. LED technology is changing rapidly, and not all color temperatures and performance levels can be duplicated at a later time. Best practices include purchasing 10-15% more for a particular project on the same initial order where white LED color temperatures must be maintained over project and product life. Eventual product replacement should be considered at layout and design stages. Best practices also include testing connections and product performance prior to mounting and/or installing.

AVERAGE LIFE

Average incandescent lamp life, rated life and average life are terms used to describe the number of hours at which half of the lamps have failed. For LEDs, the hours of rated life specify the point where 70% of original lumen output is reached. Below this point, the effective life is over, however, the LED may still emit light. Individual results may vary with actual environmental conditions including, but not limited to, proper installation, ambient temperature and/or input voltage fluctuations.