

QUICK DISC PIR

120V Surface Mount Downlight

The Quick Disc is a surface mount LED downlight for use with most standard junction boxes. Installation is fast and easy due to its unique screw-through mounting system that connects the downlight straight to the junction box. The Quick Disc PIR includes an attached motion sensor.

- 3000K color temperature with 90+ CRI
- 4" and 6" trim sizes with up to 950 lumens
- Low profile design, as little as 1" high
- Quick and easy design for fast installs
- Polycarbonate lens for diffused soft light
- Aluminum housing
- 50,000 hours rated life
- ENERGY STAR certified and JA8 Compliant
- cETLus Listed for damp locations
- Suitable for use in closets based on NFPA 70, NEC section 410.16 (A)(3) and 410.16 (C)(5)

PROJECT:
TYPE:
LOCATION:
CATALOG NUMBER:



QD4PIR-30-WH



QD6PIR-30-WH



QDPIR SERIES QUICK SPECS

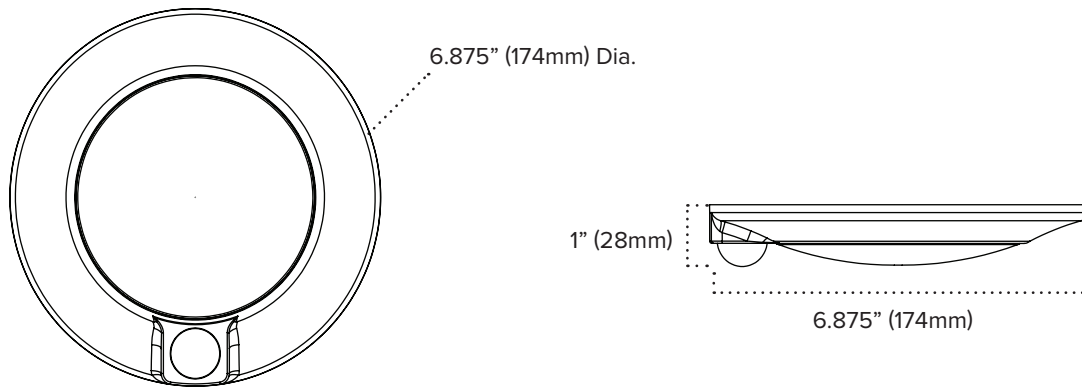
VOLTAGE	120 AC, 60Hz
WATTAGE	9W / 15W
LUMENS	Up to 950Lm
CCT OPTIONS	3000K
CRI	90+
MOUNTING	Surface mount - 4O Octagonal / 4O Round / 3O Round
DIMMING	N/A
BEAM ANGLE	120°
OPERATING TEMP	-25°C (-13°F) to 40°C (104°F)
CERTIFICATIONS	cETLus Listed / Energy Star Certified / JA8 / Wet Location
RATED LIFE	50,000 Hours - 5 Year Limited Warranty

QDPIR SERIES ORDERING INFORMATION

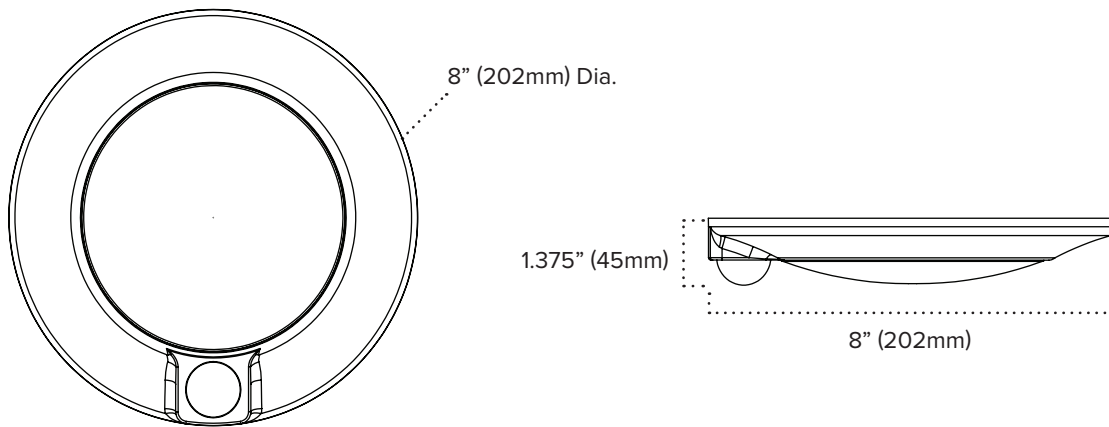
ITEM NUMBER	DESCRIPTION	FINISH	VOLTAGE	CCT	CRI	LUMENS	WATTAGE	DIMMING
QD4PIR-30-WH	Quick Dis PIR 4	White	120V	3000K	90+	600Lm	9W	N/A
QD6PIR-30-WH	Quick Disc PIR 6	White	120V	3000K	90+	950Lm	15W	N/A

QUICK DISC PIR DIMENSIONS

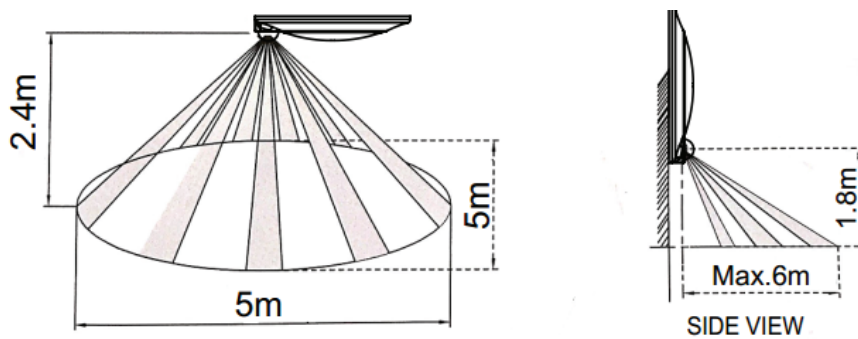
QD4PIR



QD6PIR



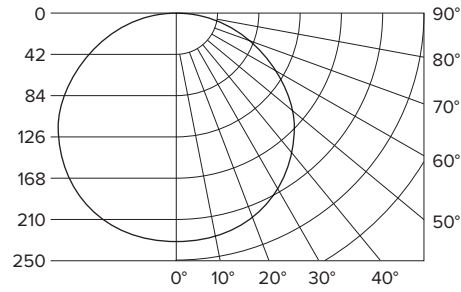
QUICK DISC PIR SENSOR DETECTION RANGE



QUICK DISC PIR PHOTOMETRICS

QD4PIR

PART NUMBER	QD4PIR-30-WH
BEAM SPREAD	108.3°
LUMENS	642.43 Lm
WATTAGE	10W
EFFICACY	66.5 Lm/W
CCT	3000K
CRI	94.3

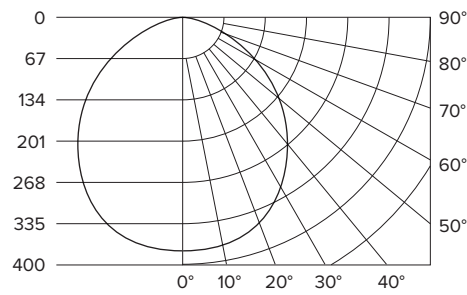


Foot Candles	Beam Dia.
14.1	4' 11.1'
6.2	6' 16.6'
3.5	8' 22.1'
2.2	10' 27.7'
1.6	12' 33.2'
1.1	14' 38.8'

Distance From Light

QD6PIR

PART NUMBER	QD6PIR-30-WH
BEAM SPREAD	104.9°
LUMENS	987.85 Lm
WATTAGE	15W
EFFICACY	66 Lm/W
CCT	3000K
CRI	93.2



Foot Candles	Beam Dia.
22.4	4' 10.4'
10.0	6' 15.6'
5.6	8' 20.8'
3.6	10' 26.0'
2.5	12' 31.2'
1.8	14' 36.4'

Distance From Light