



## INSTALLATION INSTRUCTIONS

SPKPL-LDS-RGBTW-3KIT-BK & SPKPL-LDS-RGBTW-1H-BK



### ⚠ WARNING

These products may represent a possible shock or fire hazard if improperly installed or attached in any way. Products should be installed in accordance with these instructions, current electrical codes, and/or the current National Electric Code (NEC).

### ⚠ WARNING

The electrical rating of this product is 24V DC. Use only the included 24V DC power supply provided with SPKPL-LDS-RGBTW-3KIT. This power supply is rated to support up to 8 interconnected fixture heads.

### ⚠ WARNING

To avoid electrical shock, do not install luminaire fixture(s) or power supply within 10 feet (3.05m) of a pool, spa, or fountain.

### SAFETY INFORMATION

- Read all instructions before beginning; Save these instructions for future use.
- To reduce the risk of fire, electric shock, or injury to persons, pay close attention to this manual and stay within its guidelines when using this product.
- If you are unsure about your wiring, consult a qualified electrician or local electrical inspector, and check your local electrical code.
- There are no serviceable parts inside this fixture. Do not attempt to dismantle, open or service this fixture in any way.
- LEDs are bright. Do not look directly into fixture.
- Not intended for recessed mounting in any type of installation.
- If protective lens cover is broken, the fixture must be replaced. Do not use without a protective cover.
- This fixture is not intended for use with a standard wall plate dimmer switch. Use only with Spektrum+ Smart Lighting Bluetooth App or Spektrum+ handheld remote controller (SPKPL-CTRL-W-RGBTW sold separately).
- This kit includes a 24V DC plug-in power supply (3A) that is cETLus Listed for wet location use. Use only the power supply provided. This power supply is rated to support up to 8 interconnected fixture heads.

### PRE-INSTALLATION:

1. Disconnect electrical power before installing or servicing any part of the this fixture.
2. The plug on the power supply unit must be connected to a GFCI protected hooded flush type cover plate receptacle marked "Wet Location" while in use.
3. Protect the cable by routing it in close proximity to the fixture, or along a solid structure such as a house or a desk.
4. A minimum depth of 4" is recommended when burying cable in the lawn to prevent damage from aerators or other lawn plugging equipment.
5. Burying the T-Connectors is not recommended.

### INSTALLATION INSTRUCTIONS:

This fixture requires a 120-277VDC power source. Do not connect to main power source until device is fully wired.

1. Determine the locations and positions of each fixture head, plus the driver and linking cables, noting that a maximum of 8 fixtures can be wired to each driver (96W driver, 10W/fixture - it is recommended to not load a driver more than 90% of maximum load for driver longevity).
2. Attach one antenna to the back of each fixture head by screwing it down tightly. See Figure 1.
3. Each fixture can either be mounted in soil (via the included soil mount stake - See Figure 1) or on a sturdy, non-moving surface (via the included surface mounting plate - See Figure 2).
4. Link fixtures via the included T-connectors (See Figure 3). Ensure linked cables are not taut to the point of causing tension on fixtures or power supply, or the potential for tripping and other accidents. Ensure connections are tightened fully to prevent water ingress.
5. Connect linked system to driver, then connect driver to main power source. See Figure 4.

FIGURE 1

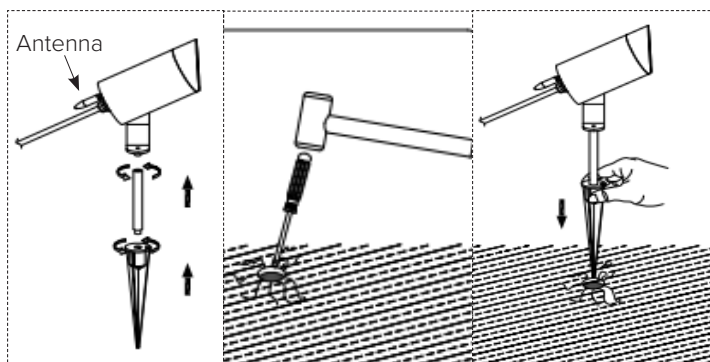


FIGURE 2

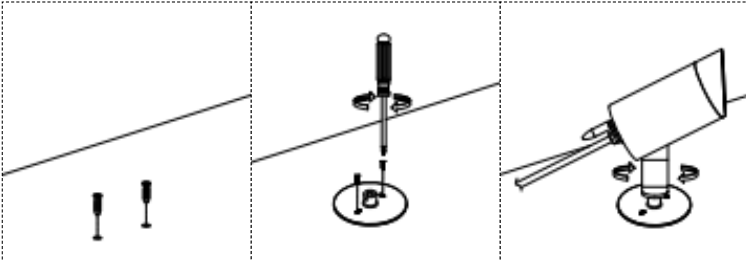


FIGURE 3

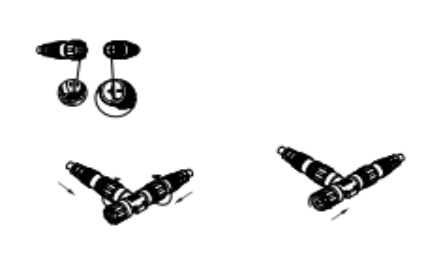
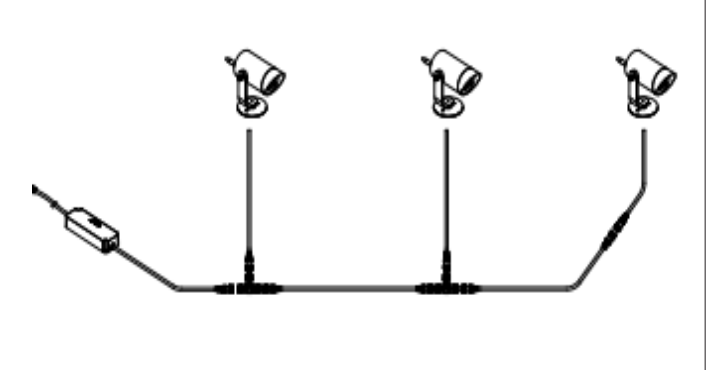


FIGURE 4





## INSTALLATION INSTRUCTIONS

SPKPL-LDS-RGBTW-3KIT-BK &amp; SPKPL-LDS-RGBTW-1H-BK



**CONTROLLING THE FIXTURE:** The attached LED controller/receiver utilizes Bluetooth Wireless Technology and can be controlled via the Spektrum+ Smart Lighting App and/or the Spektrum+ Smart Switch (SPKPL-CTRL-W-RGBTW - sold separately). It is not intended to be used with a standard dimmer switch.

**DISTANCE OF CONTROL CAPABILITY:** 25 meters (approx. 80ft)

**RESET THE DEVICE:** Power the device ON and OFF 3 times in succession. The device will pulse BLUE once reset. When resetting several interconnected fixtures, allow for more time between intervals: OFF for 5 seconds & ON for 3 seconds, 3 times in a row.

**USING THE SPEKTRUM+ SMART LIGHTING APP:** Please follow the Spektrum+ Smart Lighting App guide.

**CARE AND MAINTENANCE:**

1. Use only a mild soap and water with soft cloth to clean the fixture. Harsh chemicals will damage the finish.
2. Do not wipe the fixture with a rough cloth that may scratch the finish or the lens.

**5-YEAR LIMITED PRODUCT WARRANTY**

This product is warranted to be free from defects in material and workmanship for a period of five (5) years from the date of purchase. Products that prove to be defective during this period will be either repaired (i.e. replacement of defective electronics, defective parts of the fixture housing, lens, wiring, switching or lamp sockets; excluding the lamp) or replaced, at the discretion of American Lighting, Inc claims for defective products must be submitted to the retail location from which the product was purchased within the warranty period. Upon submission of proper return claim documentation and product to American Lighting, Inc by the retailer, American Lighting, Inc reserves the right to inspect the product for misuse or abuse. Claims for indirect or consequential damages or for product that, in American Lighting, Inc's opinion has been misused, will be denied. This is a warranty of product reliability only and not a warranty of merchantability or fitness for a particular purpose. American Lighting, Inc shall have no liability whatsoever in any event for payment of incidental or consequential damages, including, without limitations, installation costs and damages for personal injury and property. These products may represent a possible shock or fire hazard if improperly installed or altered in any way. This warranty applied only to product that has been properly installed in accordance with instruction sheet and current local codes and/or the National Electrical Code. Warranty does not apply to any product that has been improperly installed or in situation where components have been altered in any way. This warranty: (1) excludes expendable parts including but not limited to light bulbs, batteries; (2) carries a 2-year finish warranty protecting finish against tarnishing, flaking, and discolorations; and (3) does not cover any losses, labor, injuries to persons/property or costs. This warranty does give you specific legal rights and you may have other rights, which vary from state to state. Be careful, it is recommended that installation be done by a qualified professional; the purchaser has sole responsibility for proper installation in compliance with all state and local code requirements. Seller's employees are not qualified to advise you on the use of this Merchandise. Any oral representation(s) made will not be binding on seller or its employees. The rights under this limited warranty are to the original purchaser of the Merchandise and may not be transferred to any subsequent owner. This limited warranty is in lieu of all warranties, expressed or implied including warranties of merchantability and fitness for a particular purpose. Seller shall not be liable for any special, incidental, or consequential damages. The sold exclusive remedy against the seller will be for the replacement of any defects as provided herein, as long as the seller is willing or able to replace this product or is willing to refund the purchase price as provided above.

**For questions/comments, technical assistance, or repair parts - Please call toll free at 1-800-285-8051 (M-F 8am-5pm), CST)**