

NIVO SERIES DOWNLIGHT

120-277V Surface Mount Downlight

Ultra slim and modern sleek, the Nivo series downlight features an edgeless surface mount design that blends seamlessly into its surroundings. With uniform light output, the Nivo produces up to 1200 vivid lumens in a 3000K warm white color temperature. Available in two fixture sizes, 5" and 7", as well as a battery back-up option accessory for use in both residential and commercial applications.

- Modern low profile surface mount design
- 750 lumen output performance
- 3000K color temperature with 90+ CRI
- Mounts to most 40 & 30 octagonal/round junction boxes
- Battery back-up accessory available for Nivo 7 fixture
- Dimmable with most TRIAC / ELV or 0-10V dimmers
- cETLus Listed for wet locations
- 35,000 hours rated life - 5 Year Limited Warranty
- ENERGY STAR Certified

PROJECT:

TYPE:

LOCATION:

CATALOG NUMBER:



NIVO SERIES QUICK SPECS

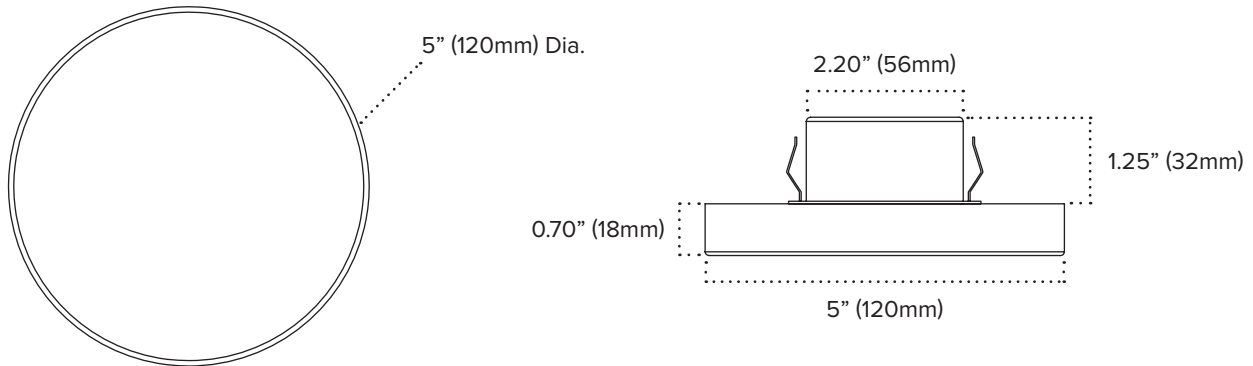
VOLTAGE	120-277V AC
WATTAGE	10W
LUMENS	750Lm
CCT OPTIONS	3000K
CRI	90+
MOUNTING	Surface mount - 40 Octagonal / 30 Round
DIMMING	TRIAC / 0-10V (10-100%)
BEAM ANGLE	150°
OPERATING TEMP	-10°C (14°F) to 50°C (122°F)
CERTIFICATIONS	cETLus Listed / Energy Star Certified / Wet Location / FCC Compliant
RATED LIFE	35,000 Hours - 5 Year Limited Warranty

NIVO SERIES ORDERING INFORMATION

ITEM NUMBER	DESCRIPTION	FINISH	VOLTAGE	CCT	CRI	LUMENS	WATTAGE	DIMMING
NV5-30-WH	NIVO 5	White	120-227V	3000K	90+	750Lm	10W	TRIAC / ELV
NV5-0/10V-30-WH	NIVO 5	White	120-227V	3000K	90+	750Lm	10W	0-10V

NIVO SERIES DIMENSIONS

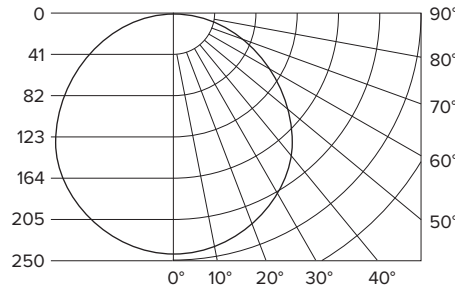
NIVO 5



NIVO SERIES PHOTOMETRICS

NIVO 5

PART NUMBER	NV5-30-WH
BEAM SPREAD	153.6°
LUMENS	751 Lm
WATTAGE	10W
EFFICACY	75.1 Lm/W
CCT	3000K
CRI	90+



Foot Candles	Distance From Light	Beam Dia.
14.5	4'	34.1'
6.5	6'	51.2'
3.6	8'	68.2'
2.3	10'	85.3'
1.6	12'	102.3'
1.2	14'	119.4'

NIVO SERIES RECOMMENDED DIMMERS FOR TRIAC/ELV

BRAND	MODEL #	TYPE	DIMMING RANGE
LUTRON	DV-603PG	TRIAC	9% ~ 95%
LEGRAND	DVCL-153P	CL	5% ~ 100%
LEVITON	DV-600P	TRIAC	0% ~ 100%
LUTRON	DVLV-600P	MLV	10% ~ 100%

Dimmer performance may vary in field application due to unknown external factors. Dimmers not included on the chart above are not necessarily incompatible; they have yet to be fully evaluated. Please reference dimmer manufacturer's instructions for more detailed information regarding performance and compatibility. Test data listed above is based on single lamp data.

NIVO SERIES RECOMMENDED DIMMERS FOR 0/10V

BRAND	MODEL #	TYPE	DIMMING RANGE
LUTRON	RMJS-8T-DV-B	0-10V	5% - 100%
LEGRAND	RH4FBL3PW	0-10V	8% - 100%
LEVITON	IP710-DL	0-10V	8% - 100%
LUTRON	DVSTV-LA	0-10V	8% - 100%

Dimmer performance may vary in field application due to unknown external factors. Dimmers not included on the chart above are not necessarily incompatible; they have yet to be fully evaluated. Please reference dimmer manufacturer's instructions for more detailed information regarding performance and compatibility. Test data listed above is based on single lamp data.