

ADVANTAGE 3000K

Retrofit Downlight

The Advantage 3000K downlight offers a standard warm white option for those who do not need the adjustable CCT feature of the other downlights in the Advantage Series product line. Available in 4" and 5/6" sizes, the advantage downlight works well in a variety of basic residential and commercial applications. It is a great option upgrading legacy incandescent lighting to energy-efficient LED.

- 3000K color temperature
- Available in 4" and 5/6" trim sizes
- 90+ CRI for optimum color clarity
- Fits most standard 4", 5" and 6" housings
- Includes standard E26 socket for fast installation
- Dimmable with most TRIAC dimmers
- cETLus Listed for wet locations
- 50,000 hours rated life
- ENERGY STAR Certified
- JA8 Compliant



| |
|-----------------|
| PROJECT: |
| TYPE: |
| LOCATION: |
| CATALOG NUMBER: |



ADVANTAGE SERIES 4" - WHITE



ADVANTAGE SERIES 5/6" - WHITE

ADVANTAGE 3000K SERIES QUICK SPECS

| | |
|-----------------------|--|
| VOLTAGE | 120V AC, 60Hz |
| WATTAGE | 10W / 15W |
| LUMENS | 600Lm / 900Lm |
| CCT OPTIONS | 3000K |
| CRI | 90+ |
| MOUNTING | Recessed mount |
| DIMMING | TRIAC (10 - 100%) |
| BEAM ANGLE | 120° |
| OPERATING TEMP | -20°C (-4°F) to 40°C (104°F) |
| CERTIFICATIONS | cETLus Listed; Suitable for wet Location |
| RATED LIFE | 50,000 Hours |

ADVANTAGE 3000K SERIES ORDERING INFORMATION

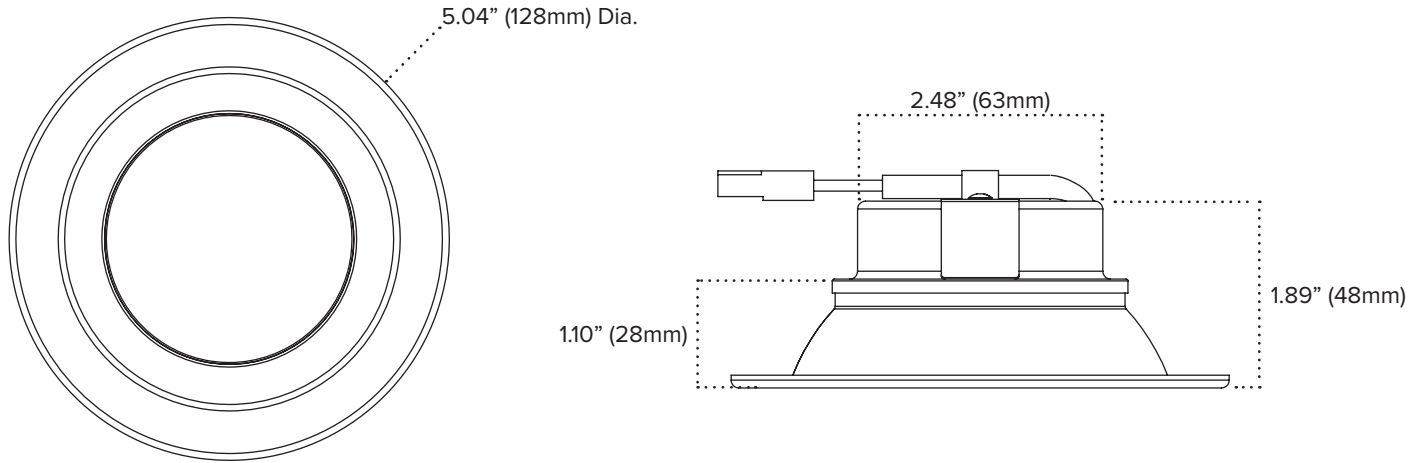
| ITEM NUMBER | STYLE | WATTAGE | LUMENS | CCT | DIMMING |
|--------------|--------------|---------|--------|-------|-------------------|
| AD4V2-30-WH | 4" - White | 10W | 600Lm | 3000K | TRIAC (10 - 100%) |
| AD56V2-30-WH | 5/6" - White | 15W | 900Lm | 3000K | TRIAC (10 - 100%) |

ADVANTAGE 3000K SERIES ACCESSORIES

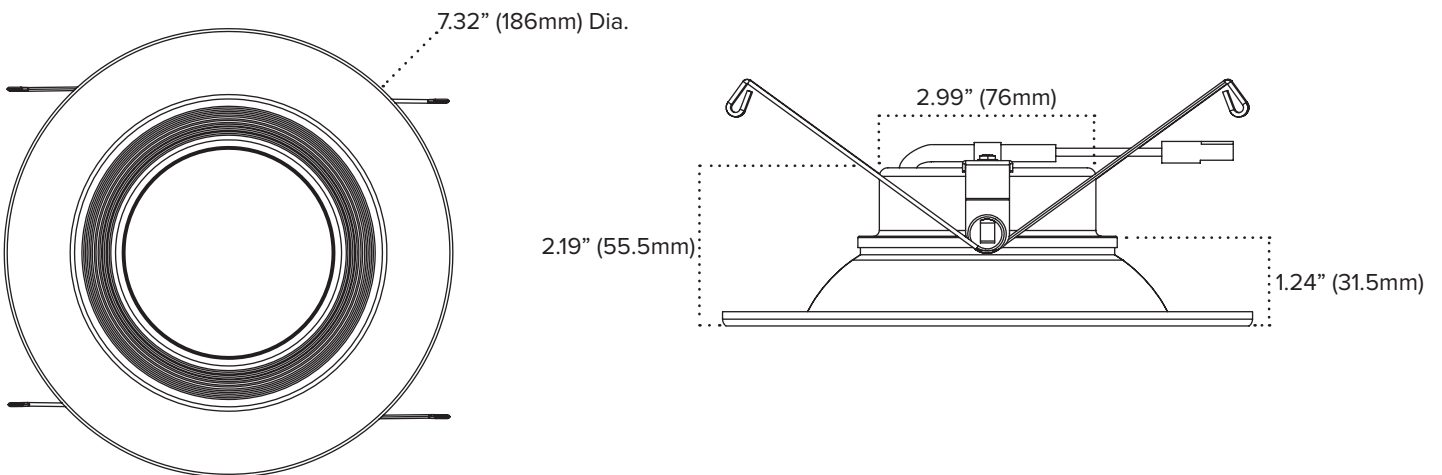
| ITEM NUMBER | DESCRIPTION |
|-----------------|--|
| AD56V2-TORCLIPS | Torsion Clips for AD56V2; For use in non-bullhorn cans |

ADVANTAGE 3000K SERIES QUICK DIMENSIONS

AD4V2



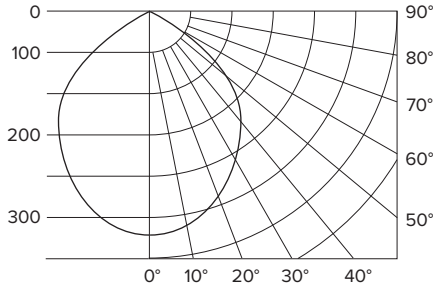
AD56V2



ADVANTAGE 3000K SERIES PHOTOMETRICS

AD4V2

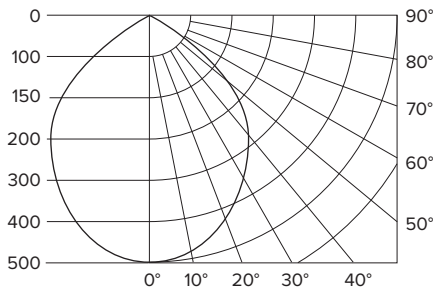
| | |
|--------------------|--------------------|
| PART NUMBER | AD4V2-30-WH |
| BEAM SPREAD | 120° |
| LUMENS | 600Lm |
| WATTAGE | 10W |
| EFFICACY | 60Lm per watt |
| CCT | 3000K |
| CRI | 90 |



| Foot Candles | Distance From Light | Beam Dia. |
|--------------|---------------------|-----------|
| 11.6 | 5' | 17.3' |
| 8.1 | 6' | 20.8' |
| 5.9 | 7' | 24.2' |
| 4.5 | 8' | 27.7' |
| 3.6 | 9' | 31.2' |
| 2.9 | 10' | 34.6' |

AD56V2

| | |
|--------------------|---------------------|
| PART NUMBER | AD56V2-30-WH |
| BEAM SPREAD | 120° |
| LUMENS | 900Lm |
| WATTAGE | 15W |
| EFFICACY | 60Lm per watt |
| CCT | 3000K |
| CRI | 90 |



| Foot Candles | Distance From Light | Beam Dia. |
|--------------|---------------------|-----------|
| 18.8 | 5' | 17.3' |
| 13.1 | 6' | 20.8' |
| 9.6 | 7' | 24.2' |
| 7.3 | 8' | 27.7' |
| 5.8 | 9' | 31.2' |
| 4.7 | 10' | 34.6' |

ADVANTAGE 3000K SERIES 4" RECOMMENDED DIMMERS

| BRAND | MODEL # | MAX CURRENT OUT (MA) | MIN CURRENT IN (MA) | DIMMING RANGE (%) |
|---------|------------------|----------------------|---------------------|-------------------|
| Lutron | DVWCL-153PH-WH | 53.00 | 0.00 | 0-98 |
| Leviton | CL-6674 | 51.00 | 0.00 | 0-94 |
| Lutron | MACL-153MR-WH | 48.00 | 0.00 | 0-88 |
| Leviton | CL-6672 | 53.00 | 0.00 | 0-98 |
| Lutron | TG-600PH-LA | 54.00 | 1.00 | 2-98 |
| Lutron | SELV-300P-WH | 54.00 | 0.00 | 0-98 |
| Lutron | DVELV-300P-WH | 52.00 | 0.00 | 0-96 |
| Lutron | CTCL-153P | 53.00 | 0.00 | 0-98 |
| Lutron | SCL-153P | 53.00 | 0.00 | 0-98 |
| Leviton | CL-6683 | 53.00 | 0.00 | 0-98 |
| Leviton | IPL06 | 50.00 | 0.00 | 0-98 |
| Lutron | TGCL-153P | 53.00 | 0.00 | 0-98 |
| Lutron | DVCL-153P | 54.00 | 1.00 | 2-98 |
| Lutron | SLV-600P | 53.00 | 0.00 | 0-98 |
| Lutron | DV-600PR-LA | 53.00 | 0.00 | 0-98 |
| Lutron | DVSCSELV-300P-SW | 51.00 | 0.00 | 0-98 |
| Leviton | 6674-P | 50.00 | 0.00 | 0-98 |
| Lutron | SELV-303P-WH | 54.00 | 1.00 | 2-98 |
| Lutron | DVCL-153P-WH | 53.00 | 0.00 | 0-98 |
| Lutron | MACL-153M-WH | 49.00 | 0.00 | 0-90 |
| Lutron | CTCL-153PDH-WH | 53.00 | 0.00 | 0-98 |

Dimmer performance may vary in field application due to unknown external factors. Dimmers not included on the chart above are not necessarily incompatible; they have yet to be fully evaluated. Please reference dimmer manufacturer's instructions for more detailed information regarding performance and compatibility. Test data listed above is based on single lamp data. Recommended maximum 10 units connected to a single dimmer.

ADVANTAGE 3000K SERIES 5/6" RECOMMENDED DIMMERS

| BRAND | MODEL # | MAX CURRENT OUT (MA) | MIN CURRENT IN (MA) | DIMMING RANGE (%) |
|---------|----------------|----------------------|---------------------|-------------------|
| Lutron | DVWCL-153PH-WH | 84.00 | 0.00 | 0-98 |
| Leviton | CL-6674 | 78.00 | 0.00 | 0-91 |
| Lutron | MACL-153MR-WH | 72.00 | 0.00 | 0-84 |
| Leviton | CL-6672 | 85.00 | 0.00 | 1-98 |
| Lutron | TG-600PH-LA | 82.00 | 1.00 | 1-96 |
| Lutron | SELV-300P-WH | 85.00 | 0.00 | 0-98 |
| Lutron | DVELV-300P-WH | 82.00 | 0.00 | 0-96 |
| Lutron | CTCL-153P | 84.00 | 0.00 | 0-98 |
| Lutron | SCL-153P | 82.00 | 0.00 | 0-98 |
| Leviton | CL-6683 | 85.00 | 0.00 | 0-98 |
| Leviton | IPL06 | 78.00 | 0.00 | 0-91 |
| Lutron | TGCL-153P | 84.00 | 0.00 | 0-98 |
| Lutron | DVCL-153P | 84.00 | 0.00 | 0-98 |
| Lutron | SLV-600P | 84.00 | 0.00 | 0-98 |
| Lutron | DV-600PR-LA | 82.00 | 0.00 | 0-96 |
| Lutron | DVSELV-300P-SW | 78.00 | 0.00 | 0-91 |
| Leviton | 6674-P | 76.00 | 0.00 | 0-89 |
| Lutron | SELV-303P-WH | 74.00 | 0.00 | 0-87 |
| Lutron | DVCL-153P-WH | 84.00 | 0.00 | 0-98 |
| Lutron | MACL-153M-WH | 77.00 | 0.00 | 0-90 |
| Lutron | CTCL-153PDH-WH | 84.00 | 0.00 | 0-98 |

Dimmer performance may vary in field application due to unknown external factors. Dimmers not included on the chart above are not necessarily incompatible; they have yet to be fully evaluated. Please reference dimmer manufacturer's instructions for more detailed information regarding dimmer performance and compatibility. Test data listed above is based on single lamp data. Recommended maximum 10 units connected to a single dimmer.