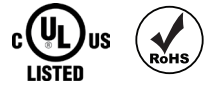




INSTALLATION INSTRUCTIONS

CNVS-TW-12x24 Series



**⚠ WARNING**

These products may represent a possible shock or fire hazard if improperly installed or attached in any way. Products should be installed in accordance with these instructions, current electrical codes, and/or the current National Electric Code (NEC).

**⚠ WARNING**

Use only with 24V DC drivers with a wattage capacity that can handle the total load. Factory warranty will be void if used with a non-recommended power supply, transformer or driver.

**⚠ WARNING**

To reduce the risk of fire, electric shock or injury to persons, make sure that the electrical power to the system is disconnected at the source prior to installation or any servicing.

**⚠ WARNING**

Never fold Trulux® or bend past the minimum bending radius of 1" whether lighted or unlighted.

**SAFETY INFORMATION**

- Read all installation instructions before beginning; if not qualified, do not attempt installation. Contact a qualified electrician.
- To reduce the risk of fire, electric shock, or injury to persons, pay close attention to this manual and stay within its guidelines when using this product. Save these instructions for future use.
- Do not cover this product with paper surface coverings, fabrics, streamers, or other similar combustible materials.
- Do not operate while coiled.
- This IP54 rated tape light is suitable for indoor use in dry and damp locations, but not for direct contact with water or moisture Do not submerge flexible light in liquids, or use the product in the vicinity of standing water or other liquids, or where water can accumulate.
- Do not route cords or LED sheet light through walls, ceilings, doors, windows, or any similar part of the building structure.
- Secure LED sheet light using only the adhesive provided on the LED Sheet and/or screws utilized at the designated screw hole locations.
- Do not secure this product or its cord with staples, nails, or like means that may damage the outer jacket or cord insulation.
- Do not use if there is any damage to the LED sheet light, diodes or power cord insulation; inspect periodically.
- Do not install on gates or doors, or where subject to continuous flexing.
- Do not install in airtight tanks or enclosures of any kind.
- Size your 24V DC driver (sold separately) appropriately for your run distance. Be sure not to load a driver to 100% as this will reduce its efficiency; a 90% maximum load is recommended.
- The maximum recommended wattage per run from the same power supply is 96W. Each LED sheet is rated at 20W.

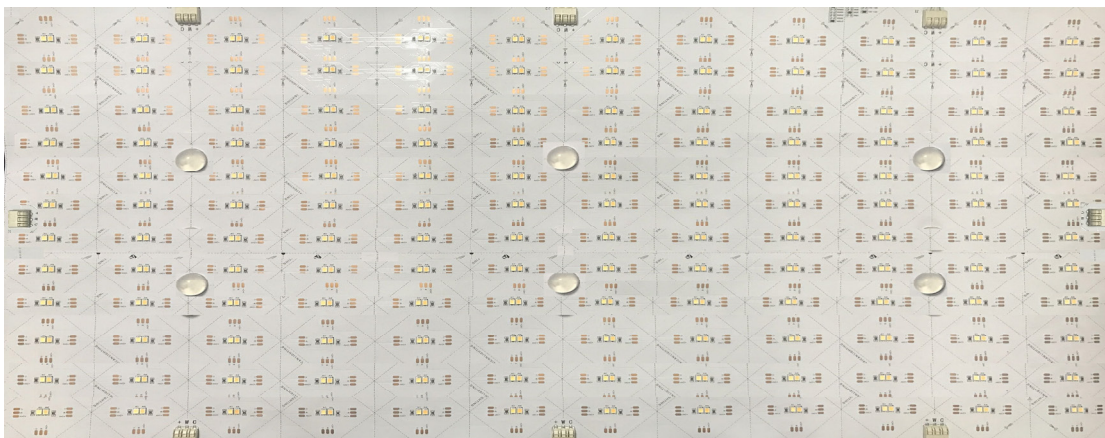
**LAYOUT CONSIDERATIONS**

Series	Wattage	Cut Increment	Maximum run	LED Sheet Size
CNVS-TW Series	20W/sheet (0.14W/increment)	2" x 1"	96W	12"h x 24"w

On-Board Wire Connector: 5A/24V/suitable for AWG 22-18 cable

**PRODUCT INFORMATION**

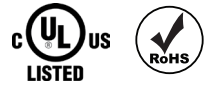
Tunable White IP54 LED sheets include (1) 3ft 18AWG 3pin wire with Wago splice connector for power connection, (4) 12" pieces of 18AWG 3pin wire, (8) attached wire connectors, and (6) attached bumpers. 2" 18AWG 'I' connectors are available, sold separately. Tunable White LED sheet will require the use of a Tunable White controller (not included).





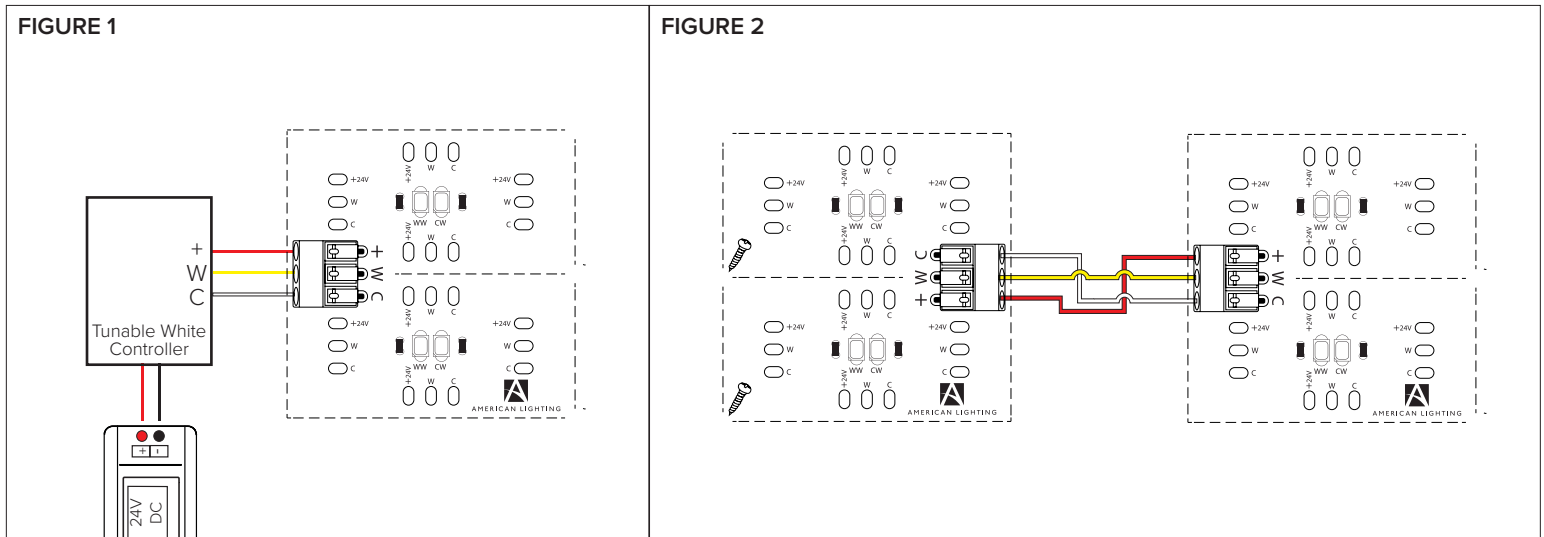
INSTALLATION INSTRUCTIONS


CNVS-TW-12x24 Series



**INSTALLING TRULUX® CANVAS LED SHEETS (See Figures 2-7):**

- Do not exceed the maximum run of 96W in any single run. Use only the 24V DC power supply (sold separately).
- Cut increments are clearly marked on the LED Sheet light (every 2" x 1"). Ensure an even cut along the dashed line.
- To use the attached wire connectors, gently push the stripped wire tip into the terminal port of the connector.
- When connecting power or linking two pieces of LED sheet together, ensure to match polarity: + to +, W to W, and C to C. Copper conductor points can be used to solder connections if necessary.
- Mount tape light using the 3M® adhesive on back of the LED sheet. Once the protective backing is removed, the tape should be placed on the prepared mounting surface and not be repositioned, removed, or re-used. For best results, let adhesive cure 24 hours prior to first use. Screws can also be used to mount at the designated screw hole locations marked on the surface of the LED sheet.
- Tunable White LED sheet will require the use of a Tunable White controller (not included).



 This product can expose you to chemicals including Lead, which are known to the State of California to cause cancer and birth defects or other reproductive harm. For more information, go to [www.P65Warnings.ca.gov](http://www.P65Warnings.ca.gov).

**ADDITIONAL SAFETY MEASURES**

1. Route and secure cords so that they will not be pinched or damaged in any way.
2. LEDs are bright. Do not look directly at lighted tape light.

**Important Note:** The National Electrical Code (NEC) does not permit cords to be concealed where damage to insulation may go unnoticed. To prevent fire danger, do not run cord behind walls, ceilings, soffits, or cabinets where it may be inaccessible for examination. Cords should be visually examined periodically and immediately replaced when damage is noted.