



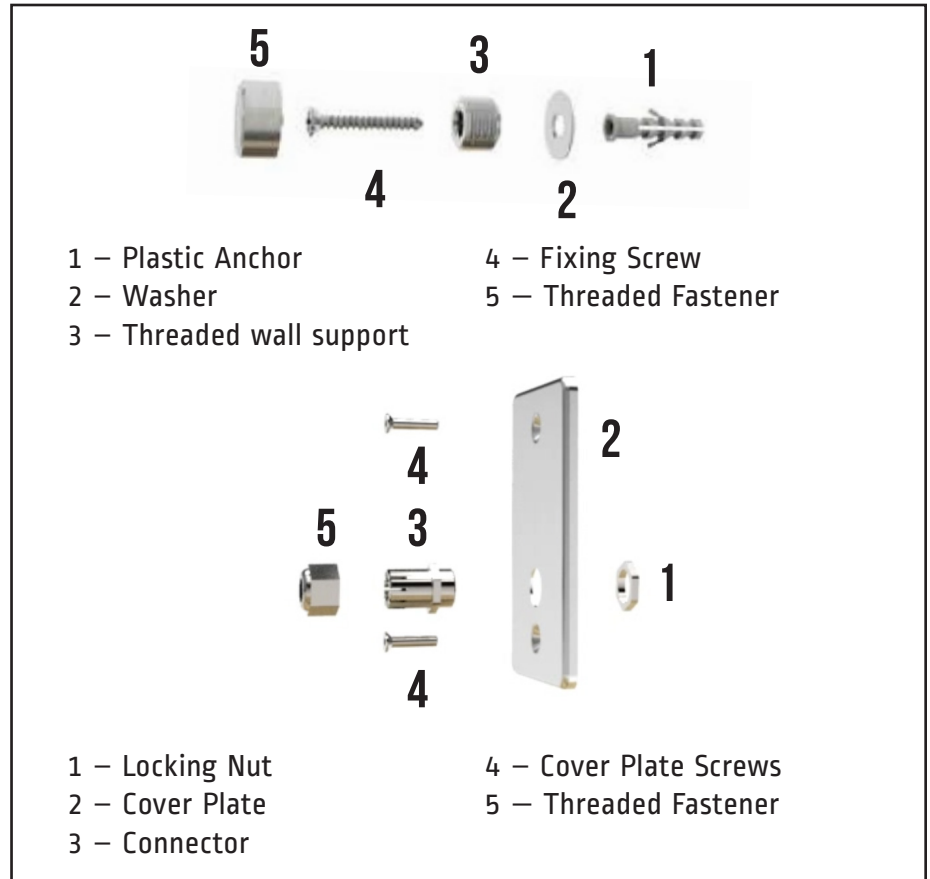
# Instructions for Use & Installation

# ELORY COLLECTION 110v

SKU	WIDTH	HEIGHT	POWER	AMPS	BTU
E2830	28 3/8"	30 3/8"	270 watts	2.3	921
E2130	20 1/2"	30 1/2"	180 watts	1.6	614



## COMPONENTS



CONSULT THIS INSTRUCTION MANUAL IN ITS ENTIRETY PRIOR TO THE HANDLING & INSTALLATION OF ANY TOWEL WARMER

FOLLOW THE GENERAL GUIDELINES & INCLUDED WIRING DIAGRAM.

790 Pickens Industrial Dr,  
 Marietta, GA 30339 USA  
 Phone : [ 404 ] 350 9738  
 Fax : [ 404 ] 355 0166

[WWW.AMBAPRODUCTS.COM](http://WWW.AMBAPRODUCTS.COM)

# IMPORTANT INSTRUCTIONS

## WARNINGS & PRECAUTIONS

### **BEFORE INSTALLING THE TOWEL WARMER CAREFULLY READ ALL INSTRUCTIONS**

Ensure that VOLTAGE [V] & FREQUENCY [HZ] indicated in the serial number plate correspond to the voltage & frequency available in the place of installation

**AT RECEIPT OF GOODS, ENSURE THAT PACKAGING IS INTACT:  
ANY DAMAGES THAT OCCUR DURING TRANSPORT  
ARE NOT COVERED BY WARRANTY**

- This heater is hot when in use – to avoid burns do not let bare skin touch hot surfaces
- For indoor use only
- Wiring procedures & connections shall be in accordance with the national & local codes having jurisdiction
- Piling multiple towels on top of each other increases the risk of discoloring due to heat
- Discoloration of some towels may occur – this could be the result of fabric makeup, detergent residue, or if too many towels are placed on the towel warmer. For these reasons Amba products cannot be held liable for any damage to towels. Consider the option of using a digital heat controller for delicates, acrylics, or nylon – for further protection do not place items directly on unit
- When using electrical appliances, basic precautions should always be followed to reduce the risk of fire, electric shock, & injury to persons, including the following:
  - Utilize the heater only for warming rooms, or warming & drying towels
  - Utilize the heater as described in this manual only. Any other use not recommended by Amba Products may cause fire, electric shock, or injuries to individuals
  - Use only on 15 ampere branch circuit – a dedicated circuit is not required.
  - The unit has to be connected to a power-supply circuit equipped with an omni-polar disconnection electrical system, with a distance among contacts of 1/8"
- Caution: high temperature, risk of fire – keep electrical cords, drapery, furnishings, & other combustibles away from front of heater
- Bad smells may be caused by residues inside the heater, or by the inner plastic parts as unit operates with no liquids inside (dry system)
- Do not use heater in case of damaged wire or plug, in case of malfunction, drop, or other kind of circumstance that may require adjustments or repair: contact Amba Products
- We recommend the p.V.C. Protective tape is left in place until the heater is fully installed: please remove tape from bracket location first – after the installation, remove the P.V.C. Protective tape to avoid glue residue
- Be careful while handling the heater to avoid scratching, marking, grazing or denting the surface: these damages are not covered by the warranty
- Be careful during installation & use in the presence of children & disabled people
- To switch off the heater, press the on/off button
- Wiring the connection to the power source incorrectly will cause sparks & burning/breaking of the heater – consult installation instructions & wiring diagram carefully
- Ensure that the room trip switch is off before any maintenance operation
- Do not insert foreign bodies inside the heater in order to avoid electrical shocks, fire and damages to the heater
- Do not use the heater close to combustibles, paints, or any other flammable liquid
- Keep the heater away from water in order to avoid electrical shocks or damage to the unit
- Always install per local electrical code

**AMBA PRODUCTS DECLINES ANY RESPONSIBILITY IF THE INSTRUCTIONS MENTIONED ABOVE ARE NOT KEPT**

# MAINTENANCE UPKEEP & CARE

- Before any maintenance operation ensure that the power source is disconnected and that the switch is in the off position
- Before any maintenance wait for the unit to cool down completely
- Clean the outside surface with a soft cloth and liquid detergent or stainless steel cleaner
- Do not use abrasive cleaning or scouring products
- To maintain the delicate external finishes use the following methods with each finish:
  - Brushed finishes: rub the soft cloth following the grain of the finish
  - Polished finishes: do not rub cloth in a circular motion – do not use excessive force
- For residue buildup do not use extreme pressure on the surface to avoid scratches & damages to the heater
- It is also possible to use a solvent – use caution & make sure to read the technical forms and norms for it's use
- In case of uncertainty, do not hesitate to contact Amba Products

Amba Products declines any responsibility if these instructions are not followed

## TECHNICAL SPECIFICATIONS

High-quality and high technology, given by a product certified and ratified according to European and American norms for electrical devices, made of components that meet the standard requirement of current safety regulations: The product's Heat Controller is certified ETL Canada and CE with protection degree IP54 that ensures consumer safety.



115V-10A 60Hz UL 2021 SAFETY FIXED AND LOCATION-DEDICATED ELECTRIC ROOM HEATERS

CSA C22.2 No. 46 ELECTRICAL AIR-HEATERS, ENVIRONMENTAL PRODUCTS GENERAL INSTRUCTION No. 1

220V-5A 50Hz CE EUROPEAN NORM

Surface temperatures of appliances during normal operations are maintained below the temperature of 60-65°C / 140-149°F without towels, and 90°C / 194°F with towels, as required by following standards:

MODEL  
**ELORY**

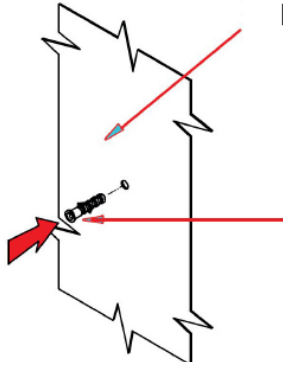
Normal Temperature of Appliance	60-65°C	140-149°F
Temperature of Appliance with Towel	85-90°C	185-194°F

# INSTALLATION INSTRUCTIONS

## CAUTION:

DO NOT TAKE OFF THE PROTECTIVE P.V.C. TAPE BEFORE INSTALLING TOWEL WARMER TO AVOID SCRATCHING, MARKING OR GRAZING THE SURFACE.

### STEP 1



Brick Wall

Plastic Anchor

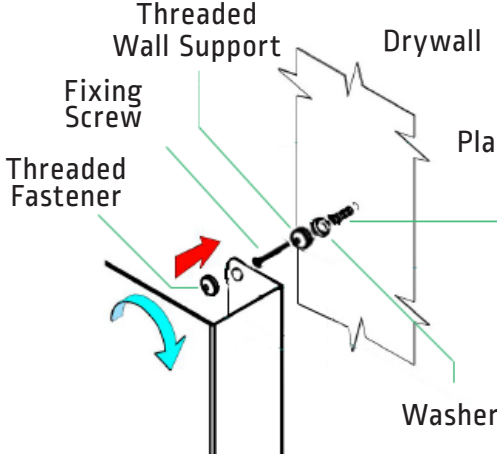
**Brick wall:**

- Drill the holes in the wall  $\varnothing 6$  mm [ 1/4 inches] and put the plastic anchor [1] into the wall;

**Drywall:**

- Leave out the plastic anchor [1] and proceed with step 2

### STEP 2



Threaded Wall Support

Drywall

Fixing Screw

Threaded Fastener

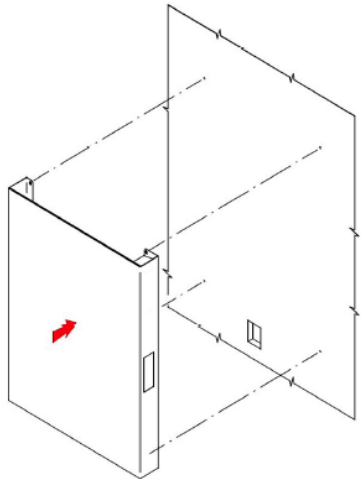
Plastic Anchor

Washer

**Drywall:**

- Fasteners should be fixed to studs or structural members behind the drywall
- If not possible on both sides, toggle bolts can be used on one side.
- Fasten Threaded Wall support [3] with plastic anchor [1] with the Fixing Screw [4]: repeat this procedure also for the other points marked on the wall

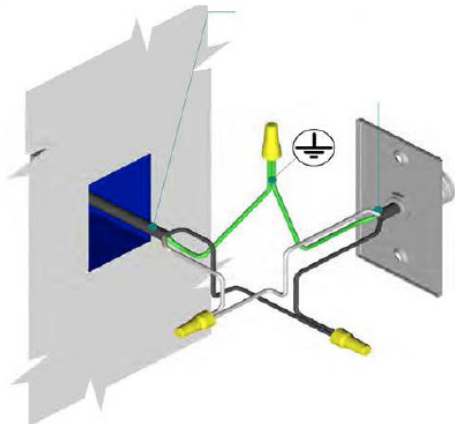
### STEP 3



- Install the towel warmer in the four connections as shown in drawing. Technical Drawings can be found on our website [www.Ambaproducts.com](http://www.Ambaproducts.com)

### STEP 4

DIRECT WIRE CONNECTION:



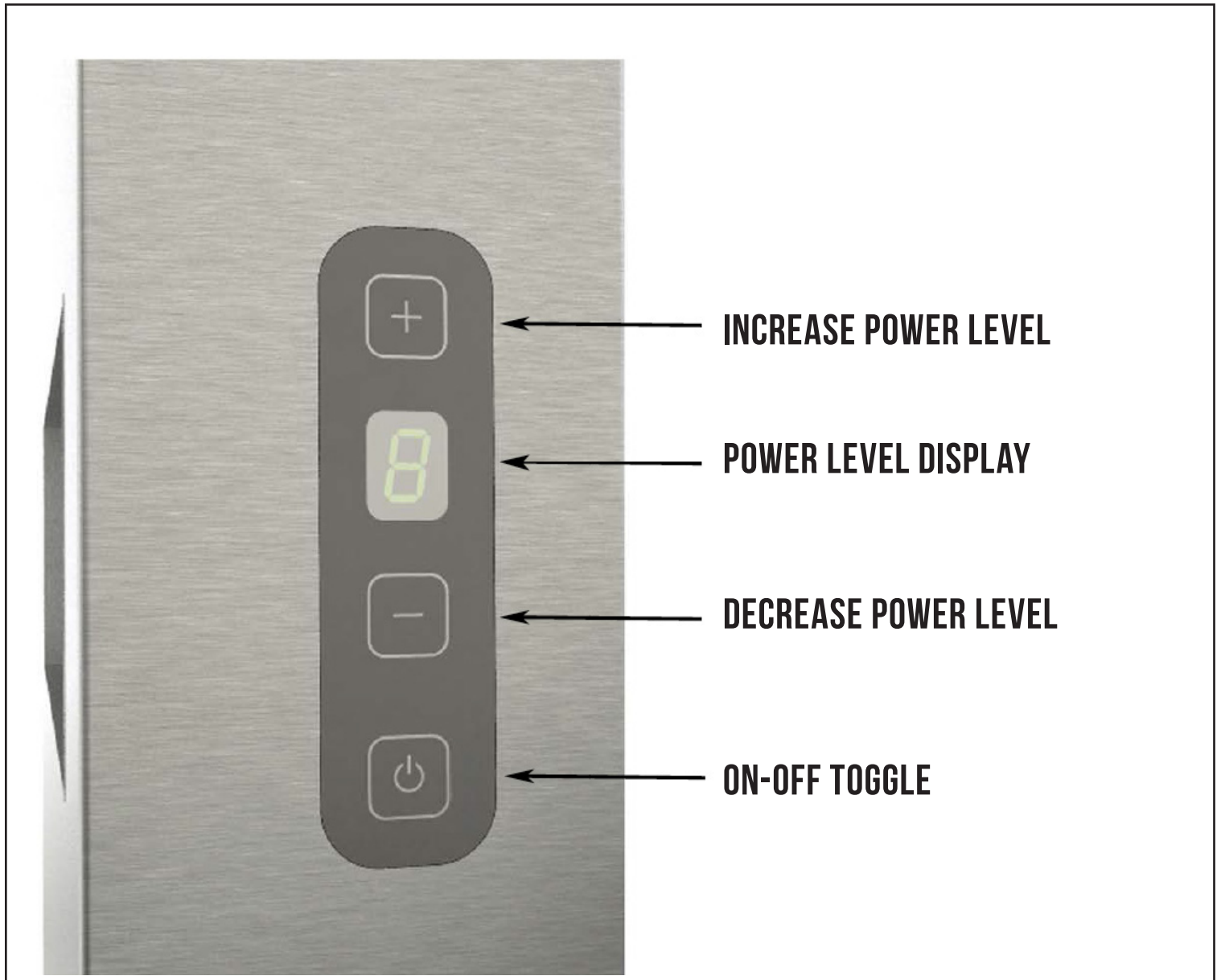
- Consult electrician to ensure proper wiring.

REMOVE THE PROTECTIVE P.V.C. TAPE BEFORE SWITCHING THE TOWEL WARMER ON

# BUILT-IN DIGITAL HEAT CONTROLLER

## OPERATIONAL INSTRUCTIONS

STEP 1



**TOUCH CONTROLS WORK BY A LIGHT TOUCH OF YOUR FINGER TIP**  
After switching on unit wait a few seconds for the self Calibration (lights up in circular movement);

Choose from 9 different heat levels.

Controller can handle up to a maximum power load of 1200watts.

Can be used in conjunction with a hardwired programmable timer (consult electrician)

### Level Settings:

1 – Minimum Heat

9 – Maximum Heat