

ANTUS
COLLECTION

VEGA
COLLECTION

SIRIO
COLLECTION

QUADRO
COLLECTION

ITA | ENG | FR | DE | RU

350.0.01.000

MANUALE D'ISTRUZIONI
MANUAL OF INSTRUCTIONS
MANUEL D'INSTRUCTIONS
BEDIENUNGSANLEITUNG
РУКОВОДСТВО ПО ЭКСПЛУАТАЦИИ



VIDEO INSTRUCTIONS

ENGLISH

IMPORTANT INSTRUCTIONS

SAFETY PRECAUTIONS:



READ ALL INSTRUCTIONS BEFORE INSTALLING OR USING THE RADIATOR.

- When using electrical appliances, it is essential to always follow basic precautions to reduce the risk of fires, electric shocks, and personal injury.
- Use the heater only as indicated in this manual. Any other use not recommended by the manufacturer may cause fires, electric shocks, or personal injury.
- Upon receiving the goods, check that the packaging is intact. If not, contact the seller immediately.
- Check the appliance carefully after unpacking it. Do not connect the radiator if it has been damaged during transport.
- Do not use the radiator if the cable is broken or if it has malfunctions or damaged by falls. Notify the seller promptly. Disconnect power supply from the service panel and have the heater checked by a trusted electrician before reusing it again.
- This radiator is designed for indoor use as a room heater and towel warmer only, and is wall-mounted.
- It is recommended not to remove the protective PVC film before installation. However, it is advisable to remove the protective PVC at the location of the wall fixings. After installation, the PVC must be removed completely.
- Pay attention to parts of the radiator that may become very hot and cause burns. Take particularly care in the presence of children or vulnerable persons.
- To avoid burns, do not let bare skin touch hot surfaces.
- When the appliance is in use, take care when putting on delicate, silk, or acrylic clothing as the radiator reaches high temperatures when covered.



INDICATIVE TEMPERATURE EXPECTED DURING OPERATION.  60°C - 65°C 140°F - 149°F

INDICATIVE TEMPERATURE BASED ON TOWEL.  85°C - 90°C 185°F - 194°F

- The radiator can be used by children of at least 8 years of age and by persons with reduced physical, sensory, or mental capabilities, or lacking experience or necessary knowledge, provided they are supervised or have received instructions on the safe use of the appliance and understanding of the dangers involved.
- Children under 3 years old must be kept away from the radiator unless they are constantly supervised. Do not allow children to play with the appliance.
- Pay attention to the high temperature of the radiator, risk of fire. Keep electrical wires, cloths, furniture, or other combustibles of at least 900 mm (3 feet - 36 inches) away from the front of the radiator and keep them away from the sides and rear.

IMPORTANT INSTRUCTIONS

WARNINGS AND PRECAUTIONS!

- Keep the radiator at a reasonable distance from water sources (at least 600 mm - 2 feet - 23" ½ inches, as required by code) in order to avoid electric shocks and damage to the radiator.
- The installation must be carried out at a minimum distance from the ground of at least 600 mm (2 feet - 23" ½ inches) from bottom bar.
- Caution: the appliance must not be installed immediately below a power outlet.
- Do not introduce foreign objects into the radiator or accessory components in order to avoid electric shocks and damage to them.
- The appliance uses a dry-resistance heating system (no liquids inside). When used for the first time, it may emit odors generated by the heating of the internal element. It is recommended to ventilate the room.
- To switch off the radiator, press the ON/OFF button and switch off the power supply to the heater circuit on the main service panel.
- Do not install the radiator near combustibles, paints, or other flammable liquids.
- A heater has hot parts and produces arcs or sparks inside. Do not use it in areas where gasoline, paints, or flammable vapors or liquids are used or stored.
- Incorrect electrical connection to the main power line will cause sparks, risk of injury, electric shocks, fires, burns, or equipment damage. Read the installation and electrical connection instructions carefully.
- Electrical procedures and electrical connections must be made in accordance with local and national standards according to jurisdiction.
- Only install the unit in a 15 A circuit.
- The radiator must be connected to a power system with an omnipolar disconnection system (which interrupts phase, earth, and neutral connections) with a class III overvoltage category.
- The user will be responsible for having the appliance installed by a qualified technician, who should check that the earthing is carried out in accordance with current legislation, and for the insertion of GFCI breaker.
- Before proceeding with the electrical connection, ensure that the main power supply is switched off.

SAVE THE INSTRUCTIONS

OPERATIVE INSTRUCTIONS

WARNINGS AND PRECAUTIONS!

- Make sure you read all the instructions and warnings in this manual before installing.
- This electrical appliance must only be used indoors, fixed to the wall, and must be installed and connected to the power supply by qualified personnel.
- The appliance is designed to perform the functions of indoor space heating, when properly sized, or towel heating for comfort in the bathroom.
- To ensure proper operation and durability of the appliance, the maintenance instructions provided must be scrupulously followed.
- Before carrying out any cleaning and maintenance operations, always make sure that the main power switch is switched to the OFF position, and the unit is cool to the touch.
- Maintenance operations should only be carried out by authorized personnel.
- For any doubt and uncertainties, contact the manufacturer.

TECHNOLOGY AND CONFIGURATIONS

- All models of our products use patented technologies, both in the devices, the control device, and the electrical connection accessories (electrical junction box).
- The versatile luminaire in the connections can be electrically connected to one of the several wall fastenings. The wall fixings are standard for all models and are designed to integrate the electrical connection that will be connected to the DHC device (power controller) into them, thus making the connection invisible.
- The control device (DHC) is designed to be flush mounted in walls and can be connected directly to the appliance (configuration 1) or positioned remotely from the product (configuration 2).
- Be sure to read the DHC (power controller) before starting installation of the device.
- The configuration of the device, connected with the control device in a remote position to the product, requires the integration of the concealed wall box (ATW-CWB).
- The electrical junction box is recessed into the wall and connects directly to the device. Its main function is to integrate and conceal the electrical connections between the appliance and the DHC device when the latter is remote from the product.
- Ensure that you read the electrical junction box manual before starting installation work on the appliance.

MAINTENANCE

- In order to ensure the proper functioning and durability of the appliance, the maintenance instructions provided must be strictly followed.
- The uninstalled appliance should be stored in a dry indoor environment at a temperature between 10 and 30 degrees C°.
- The polished and satin stainless-steel finishes are protected with PVC film, which must be removed after installation within a period of no more than 6 months.
- Cleaning and maintenance intended to be carried out by the user must not be performed by unsupervised children.
- Before carrying out any cleaning and maintenance work, always make sure that the main power switch is switched to the OFF position.
- Wait until the appliance has cooled down before carrying out any maintenance work.
- Stainless steel does not require special products to be cleaned. Use a soft microfiber cloth and a simple glass degreaser. Always be sure to wipe dry after cleaning, as hard water can leave marks.
- Do not use abrasive cloths and detergents that can irreversibly damage the surface of the product.

PAY ATTENTION TO:

- Chlorine, therefore bleach and hydrochloric acid, are excellent disinfectants but are enemies of AISI 304 stainless steel as they cause it to rust. If used, always remember to rinse and dry thoroughly.
- The marine environment, rich in salt, is unfavorable for AISI 304 stainless steel. Under conditions, it is important to wash with fresh water weekly.
- Never leave iron and steel in contact; once the rust released by the iron attacks stainless steel, the process cannot be stopped. Avoid contaminating the surrounding with iron dust and be careful when placing clothes or clothing contaminated by it on the product.
- Maintenance work should only be carried out by authorized personnel.
- For any doubts and uncertainties, contact the manufacturer.
- The manufacturer disclaims any responsibility in case these maintenance instructions are not followed.

IMPORTANT NOTES !

- Follow the specific instructions regarding the connection and installation of the appliance to ensure safe and efficient use.
- Improper or non-compliant use of the radiator may result in personal injury or damage to the structure.

INSTALLATION

WIRING PROCEDURES AND CONNECTIONS MUST COMPLY WITH RELEVANT NATIONAL AND LOCAL CODES.

PAY ATTENTION TO THE HIGH TEMPERATURE OF THE RADIATOR, RISK OF FIRE. KEEP ELECTRICAL WIRES, FABRICS, FURNITURE, OR OTHER COMBUSTIBLES AT LEAST 900MM AWAY (3 FEET - 36 INCHES) FROM THE FRONT OF THE RADIATOR AND KEEP THEM AWAY FROM THE SIDES AND REAR.

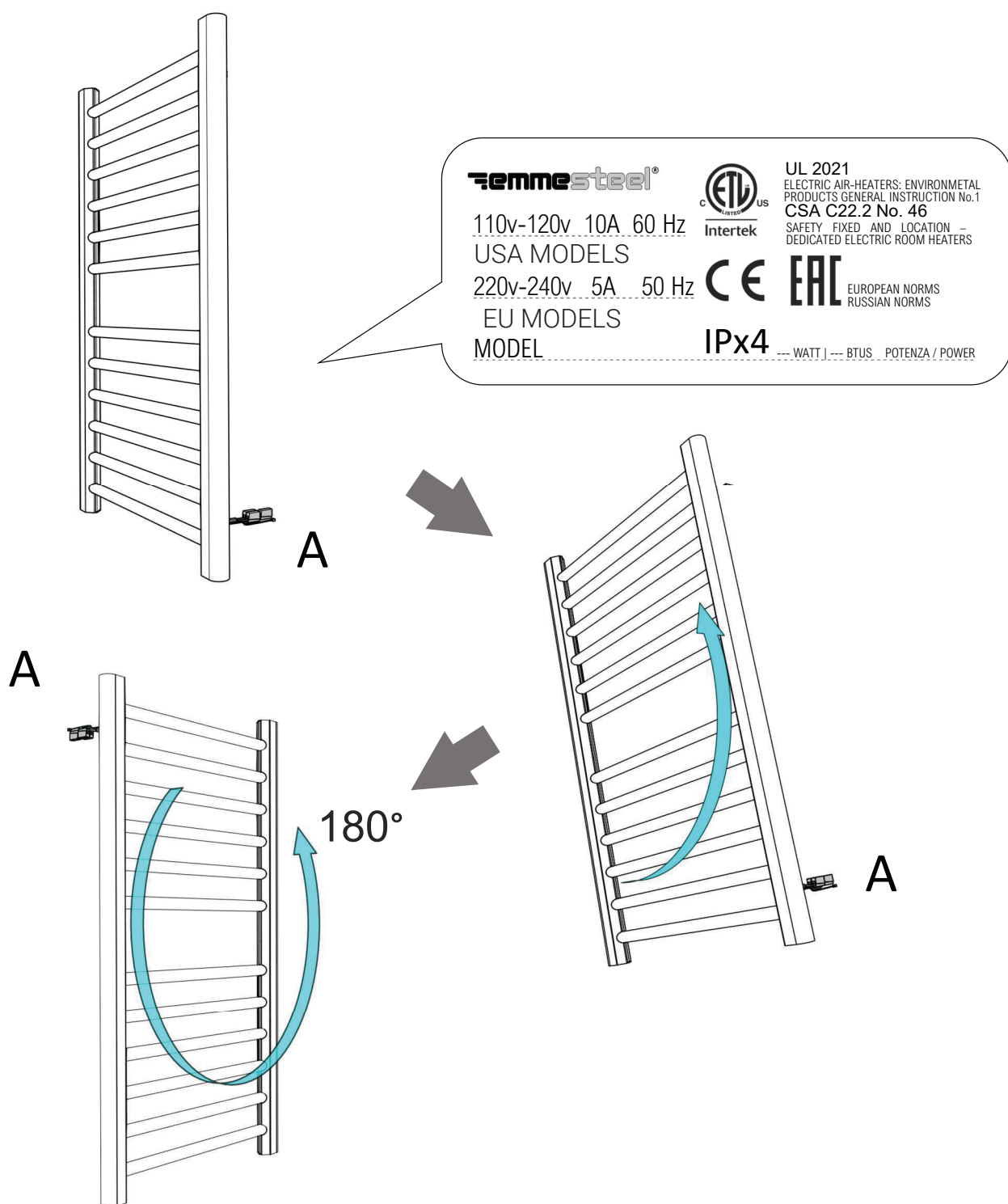
ELECTRICAL CONNECTIONS

- The device is equipped with two connection points for connection to the system's power supply. These points are located in the lower part (A) and upper part (B) of the product post, where the appliance is fixed to the wall.
- All North American spec models will include only a single connection located at the bottom (A).
- Due to its shape and symmetrical wall fixings, as well as the ability to rotate it 180°, the device also allows the opposite side to be wired, making installation flexible.
- The three conductors of the unit's electrical connections are factory insulated in each polarity using specific connectors. It is essential not to remove these connectors without carefully reading the following instructions.
- Check that the parameters on the rating plate are compatible with the electrical indications of the power supply.

SINGLE CONNECTION

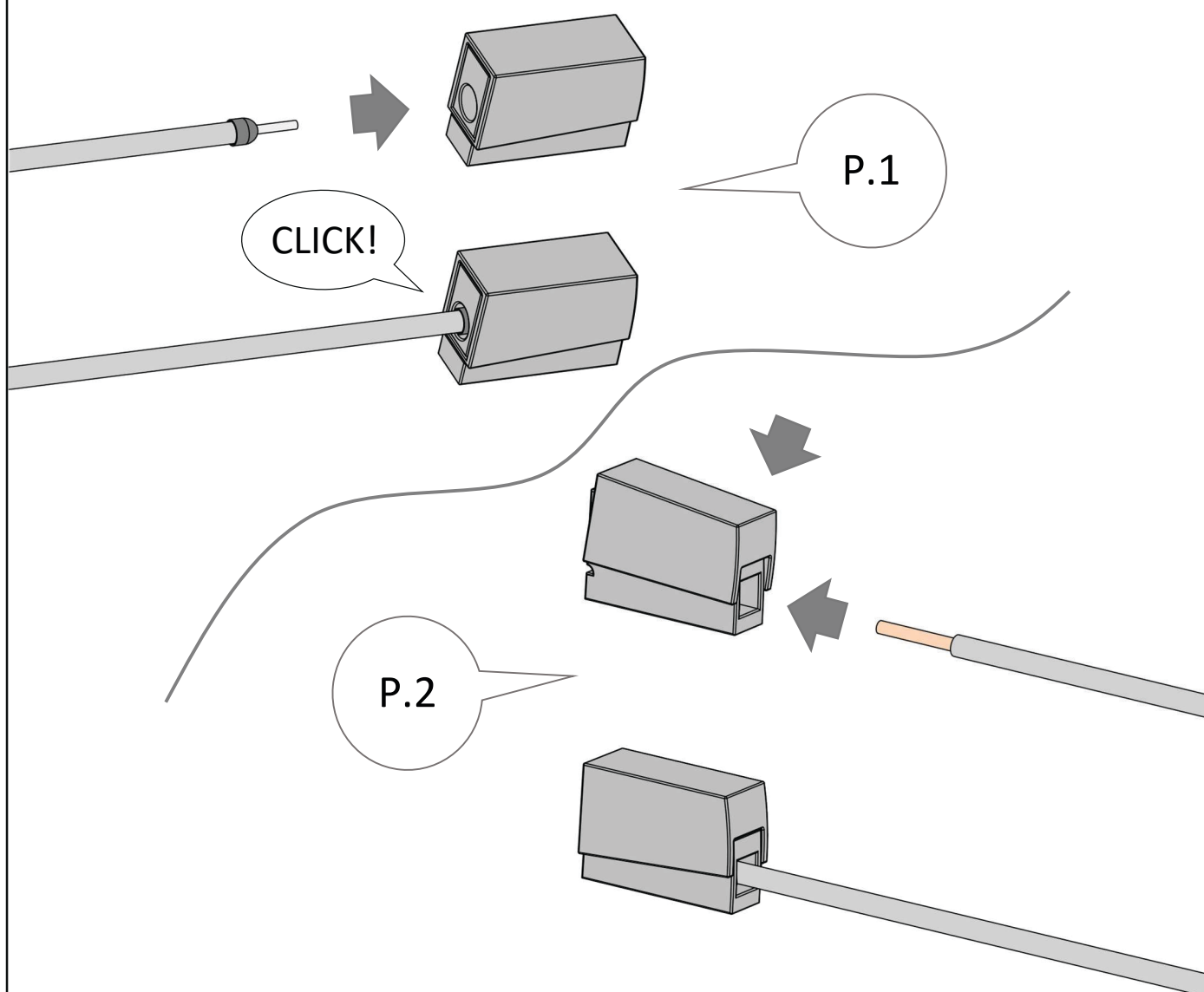
- The device is equipped with an electrical connection with a fixed specific length of approximately 135 mm (5 3/8 inches), which is partially housed inside the vertical bar.
- Depending on the configuration you decide to connect, this connection can remain in its contained position inside the upright (configuration C-2) or be extracted up to its specific maximum length (configuration C-1).

- The three conductors of the connection are fitted with electrical connectors which, depending on the configuration, will either be removed (configuration C-1) or used as indicated in the electrical instructions. (configuration C-2).
- The unused connection must remain stored inside the post to be later contained and insulated within the wall mounting.
- **WARNING!** It is absolutely forbidden to use the unused connection to connect or connect other appliances or devices.



CONNECTOR CONNECTION

- In compliance with safety regulations and the technical requirements of the connector, the appliance connections are wired in the polarity of each conductor with a wire end ferrule.
- A conductor with a ferrule can be connected to the connector for permanent insertion (device connection P.1) and a conductor without wiring, which can be removed (power line P.2).
- In the appliance connection the connector is hooked into the part (P.2) which can be removed. In this way it will be possible to remove or clip on the connectors to connect the appliance depending on the configuration used (C-1 or C-2 configurations).
- **IMPORTANT WARNING!** Before attaching the connectors permanently (provided for in configuration C-2), make sure that the wall mounting bracket (P.3) is inserted as indicated in the following instructions.



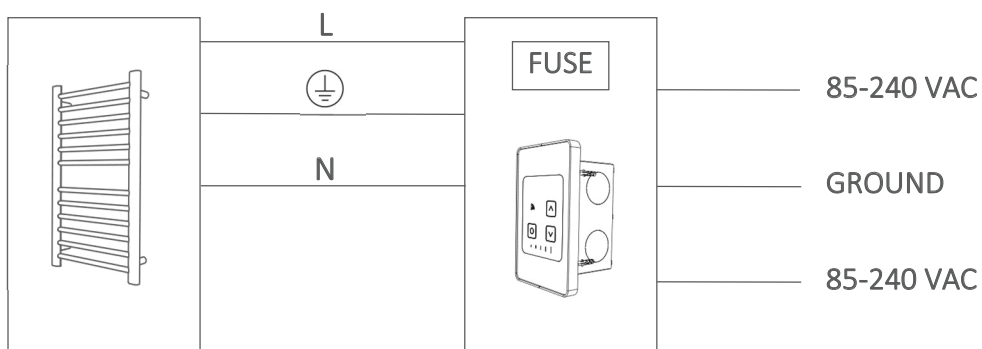
ELECTRICAL CONNECTION

- In electrical connections of the appliance, the ground conductor is identified with a specific color (which may vary from country to country), while the phase (L) and neutral (N) conductors have the same color.
- During the electrical connection phase, the reversal of the L-N poles does not affect the functioning of the appliance.
- It is essential to correctly connect the appliance's ground conductor to the electrical system's ground conductor. This connection serves to provide additional protection in case of a fault or malfunction of the appliance, by creating a discharge path for excess electrical current to discharge to the ground.

CONFIGURATION 1

WIRING DIAGRAM

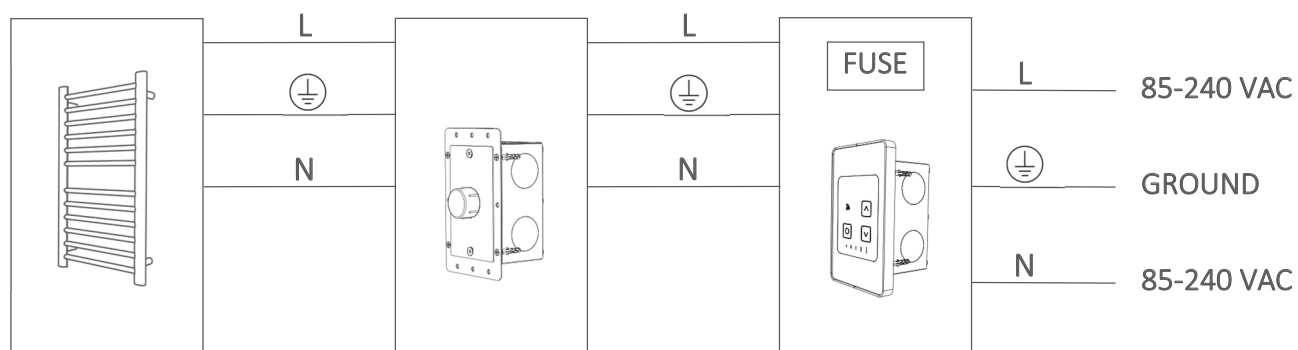
C-1



CONFIGURATION 2

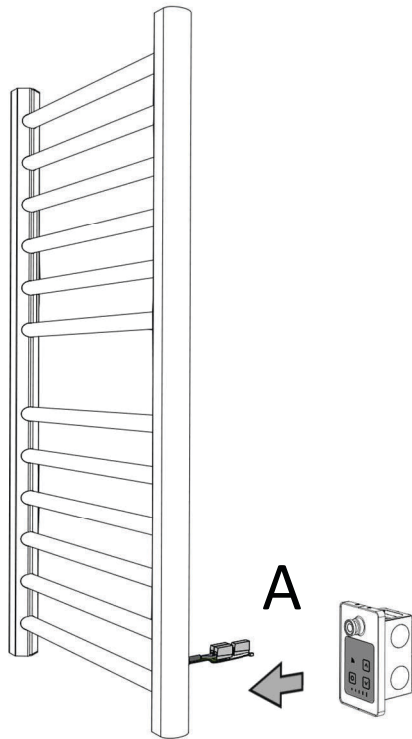
WIRING DIAGRAM

C-2

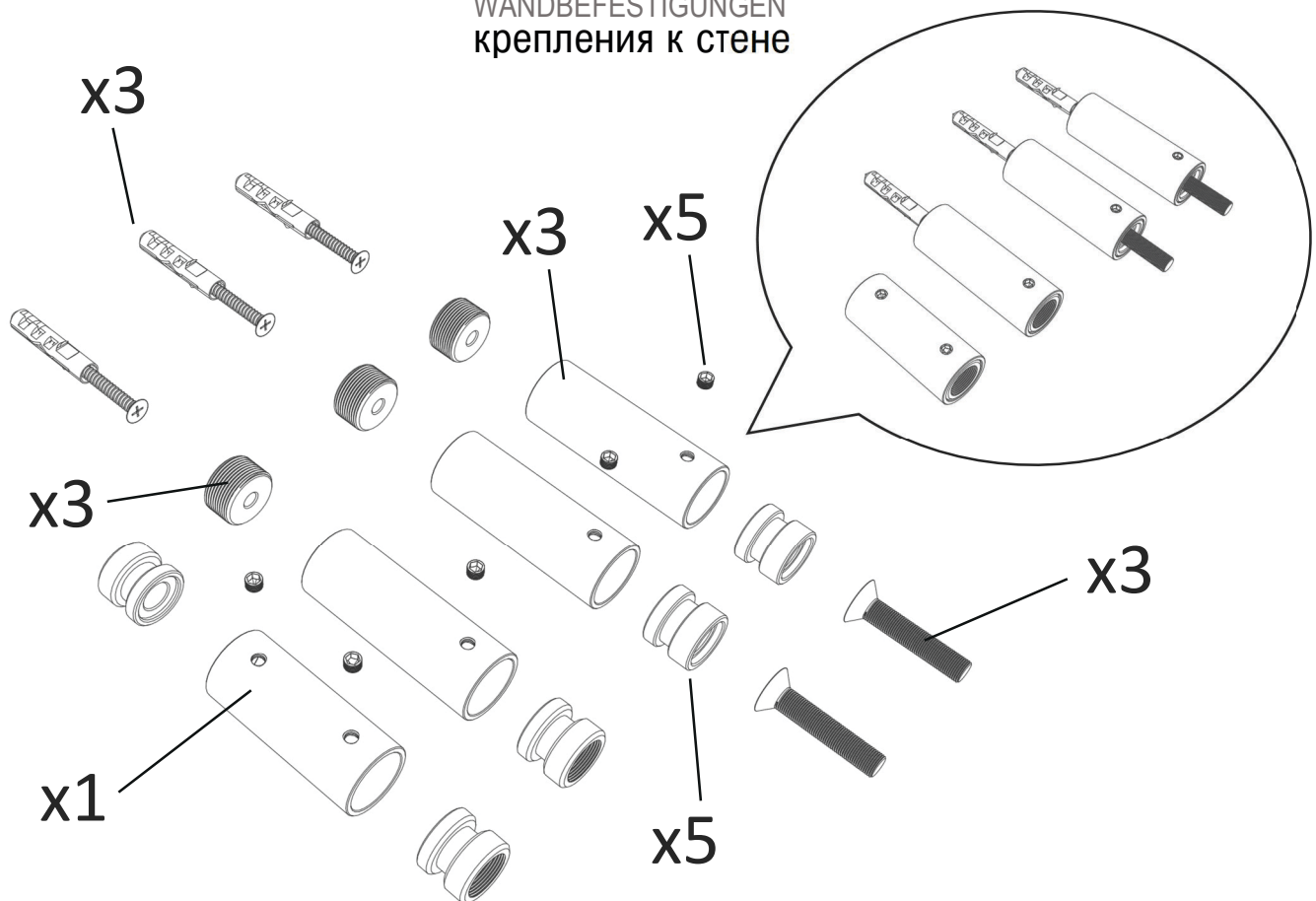


CONFIGURAZIONI
CONFIGURATION
KONFIGURATION
КОНФИГУРАЦИЯ

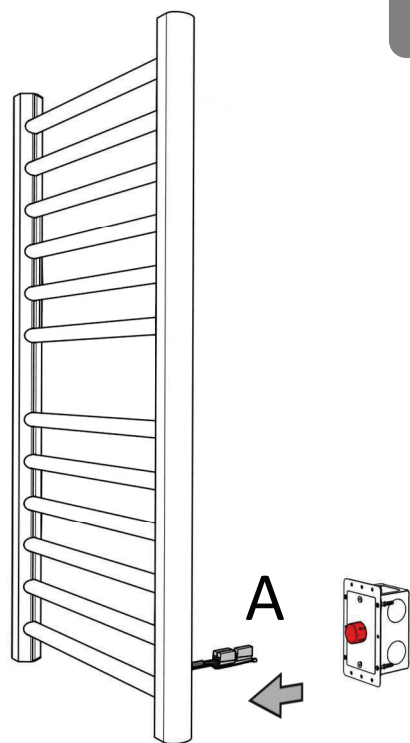
C-1



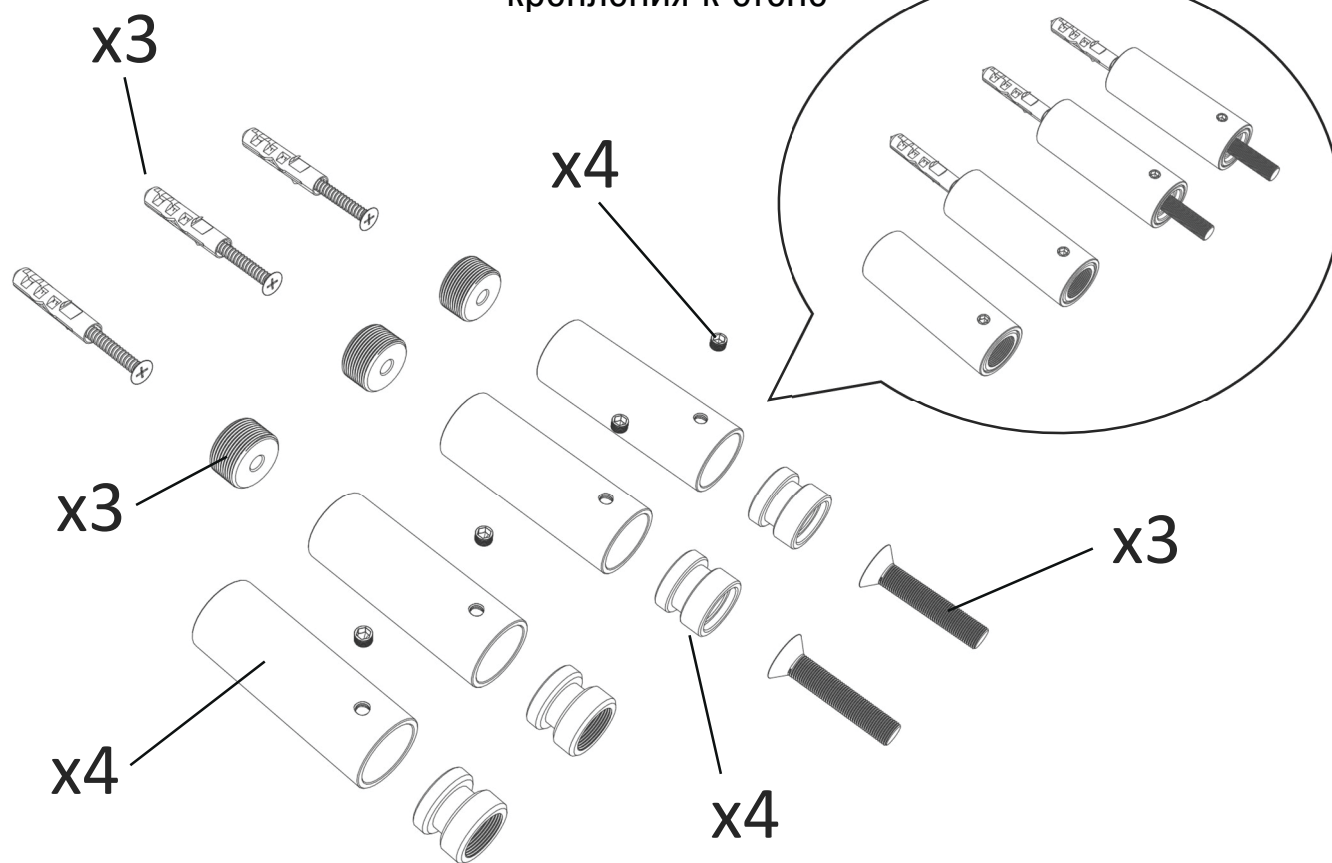
FISSAGGI A MURO
WALL BRACKETS
FIXATIONS MURALES
WANDBEFESTIGUNGEN
крепления к стене



C-2



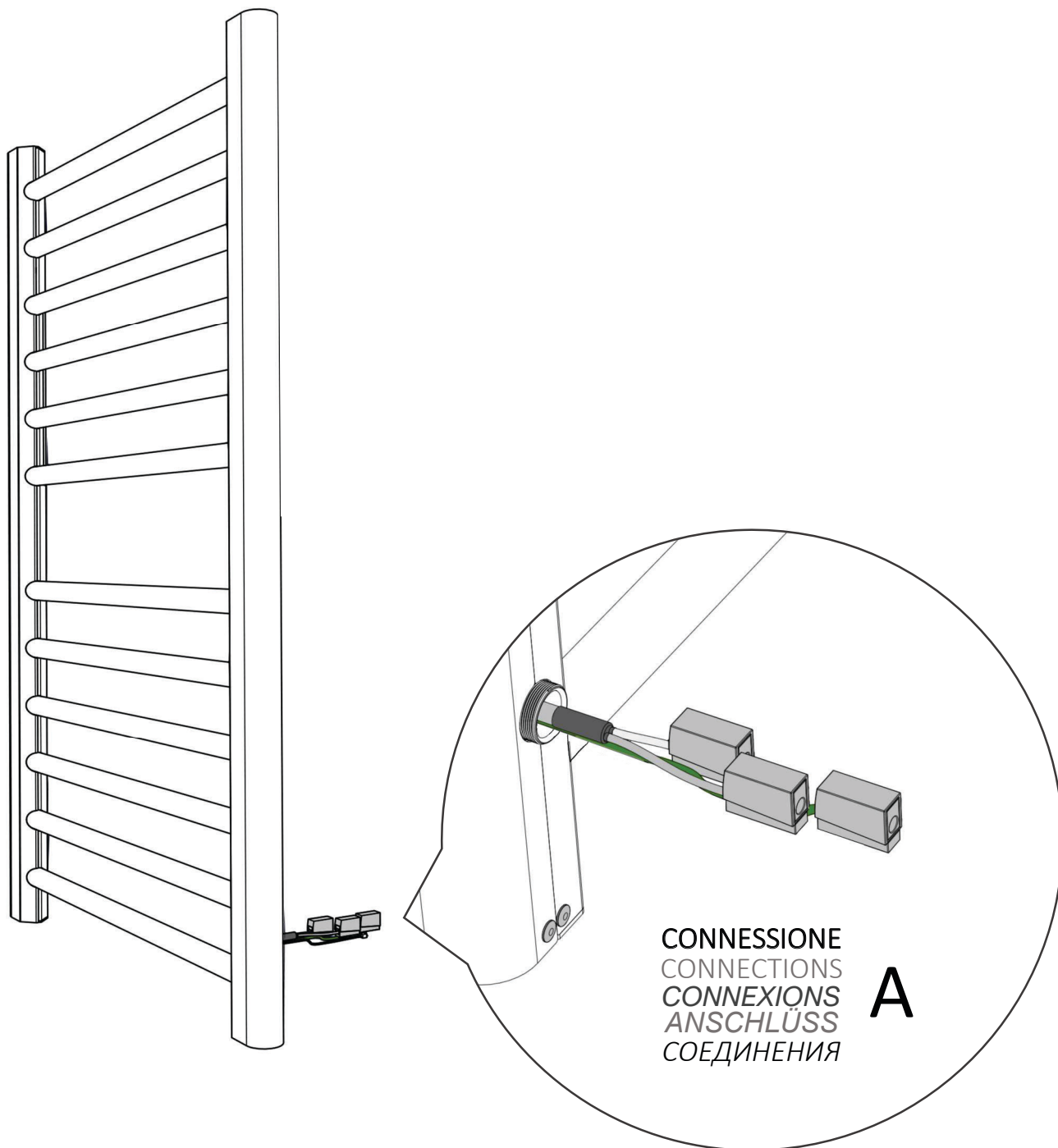
FISSAGGI A MURO
WALL BRACKETS
FIXATIONS MURALES
WANDBEFESTIGUNGEN
крепления к стене



ISTRUZIONI
INSTRUCTIONS
ANLEITUNGEN
ИНСТРУКЦИИ

C-1

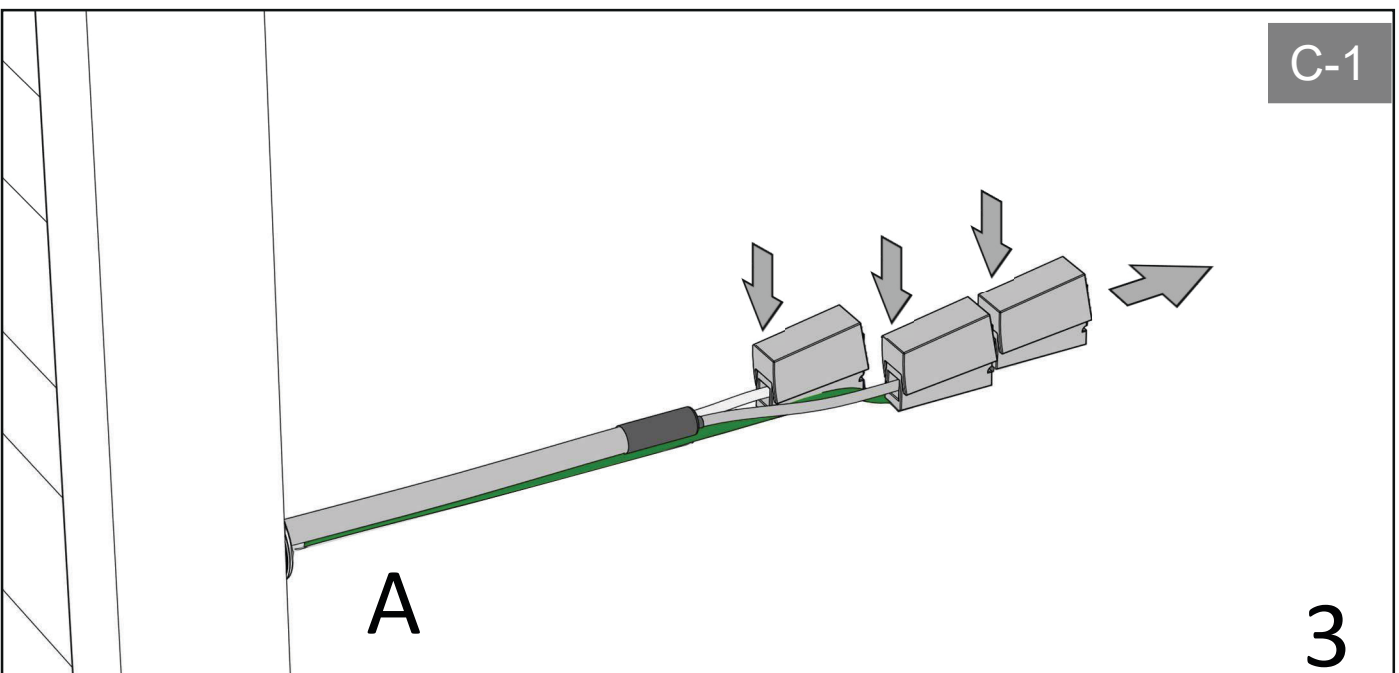
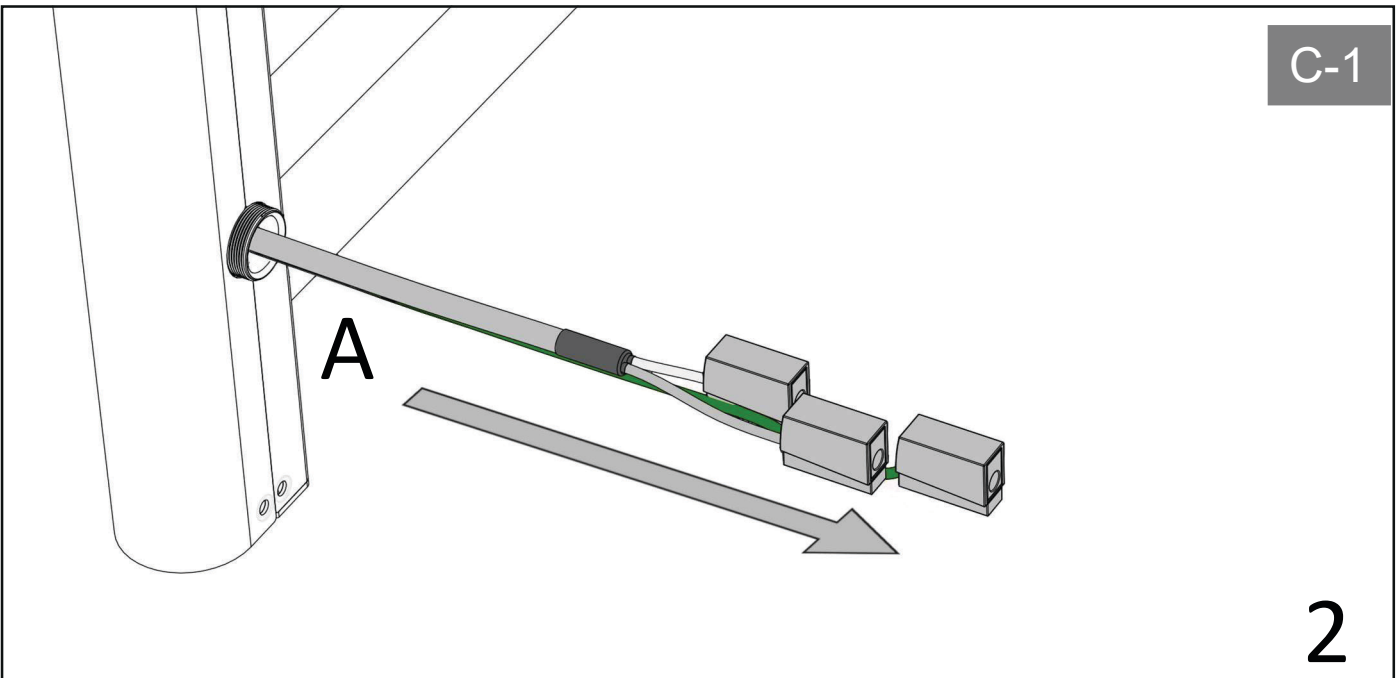
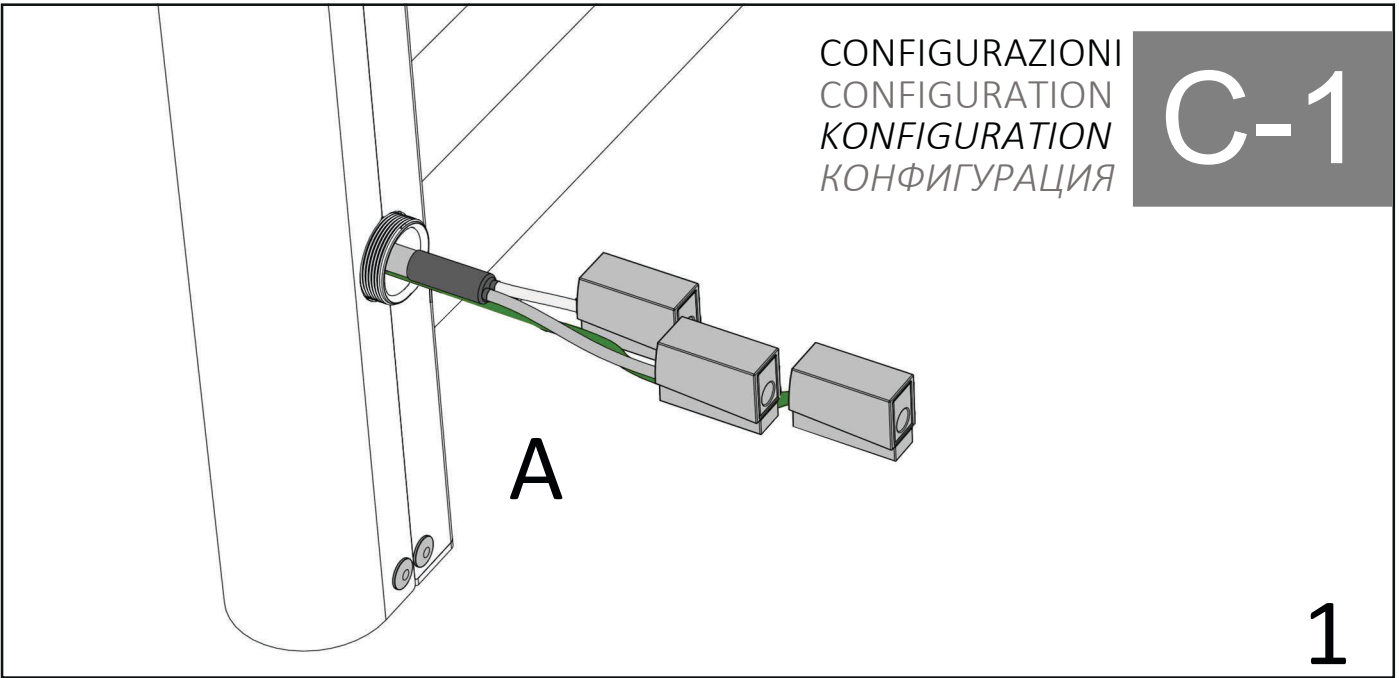
C-2

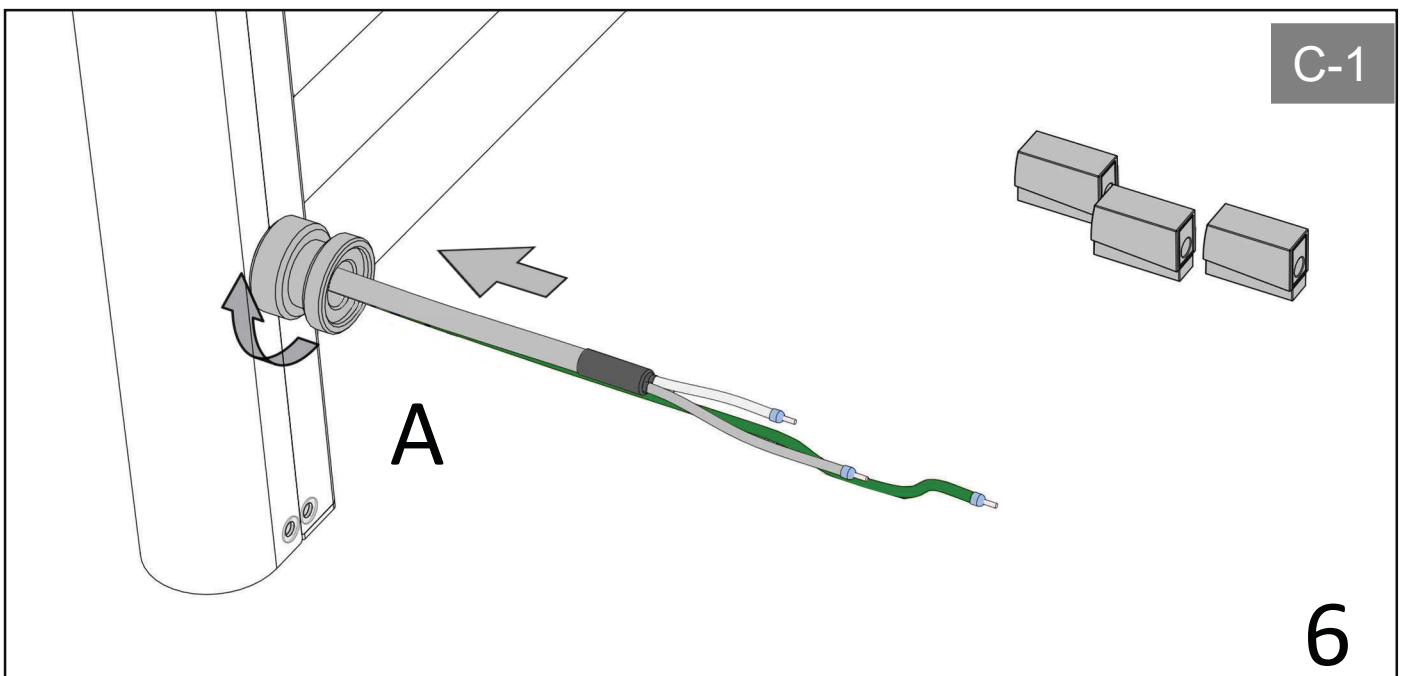
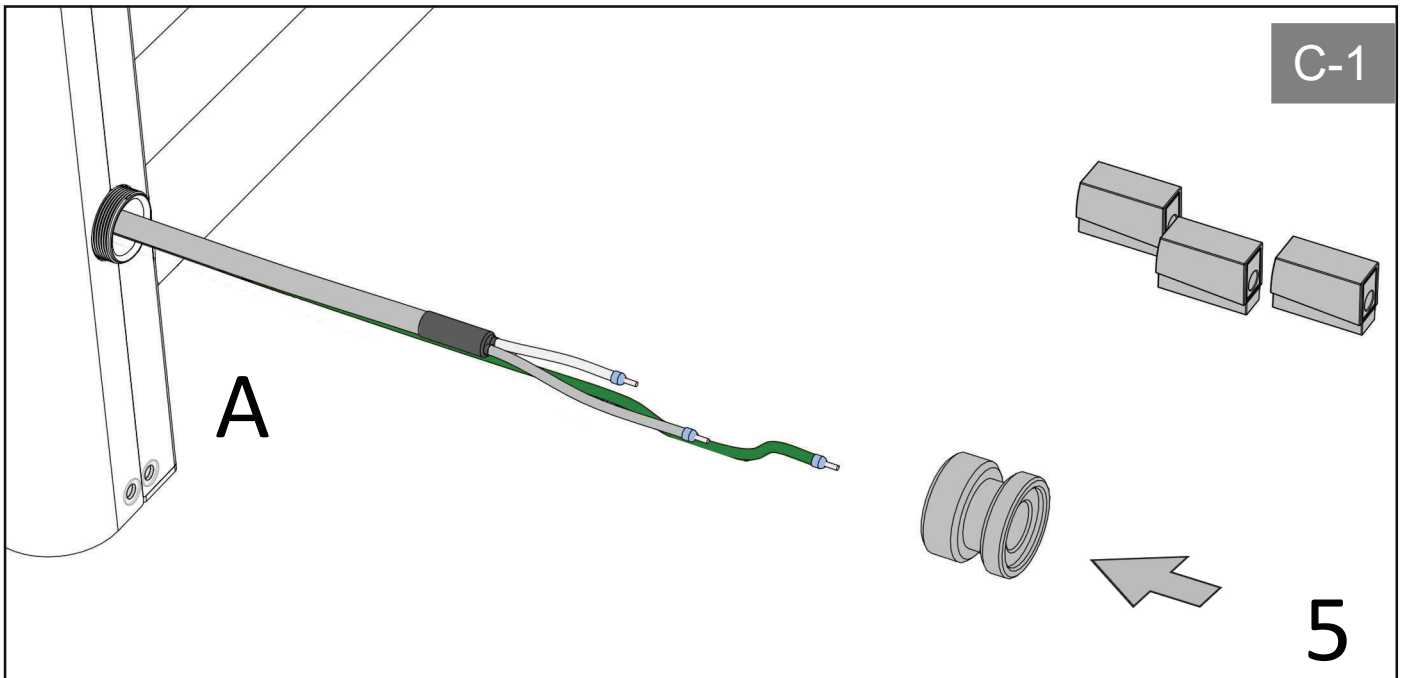
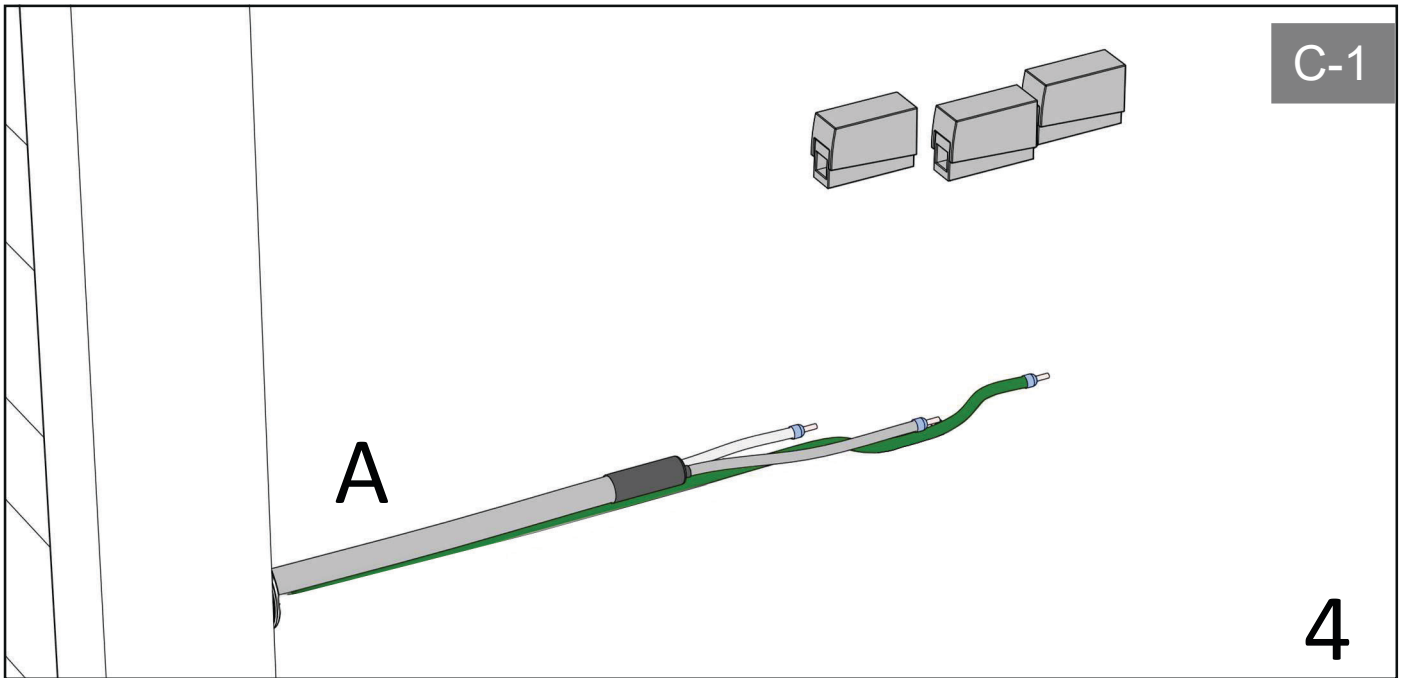


femmesteel®

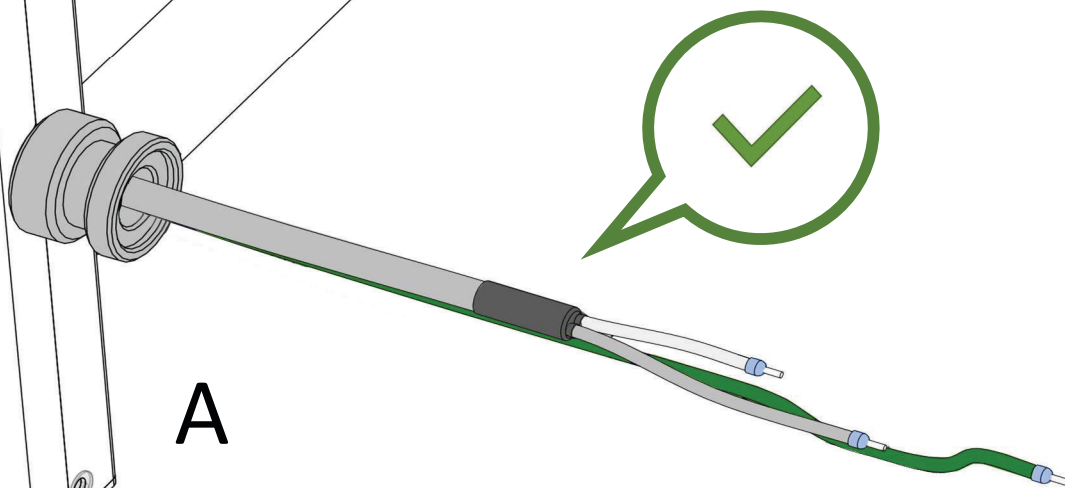
CONFIGURAZIONI
CONFIGURATION
KONFIGURATION
КОНФИГУРАЦІЯ

C-1





C-1

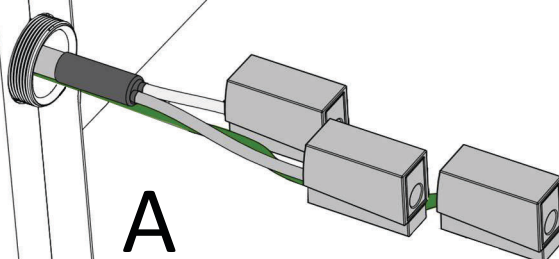


A

7

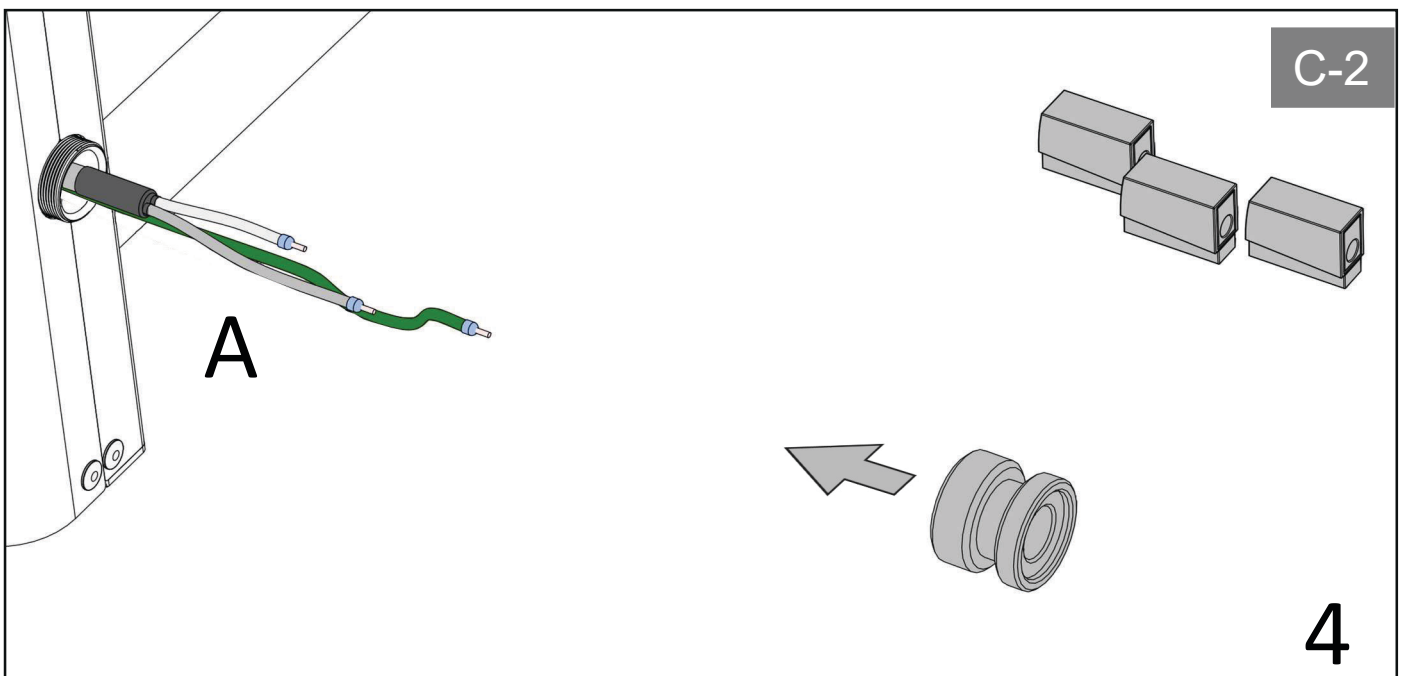
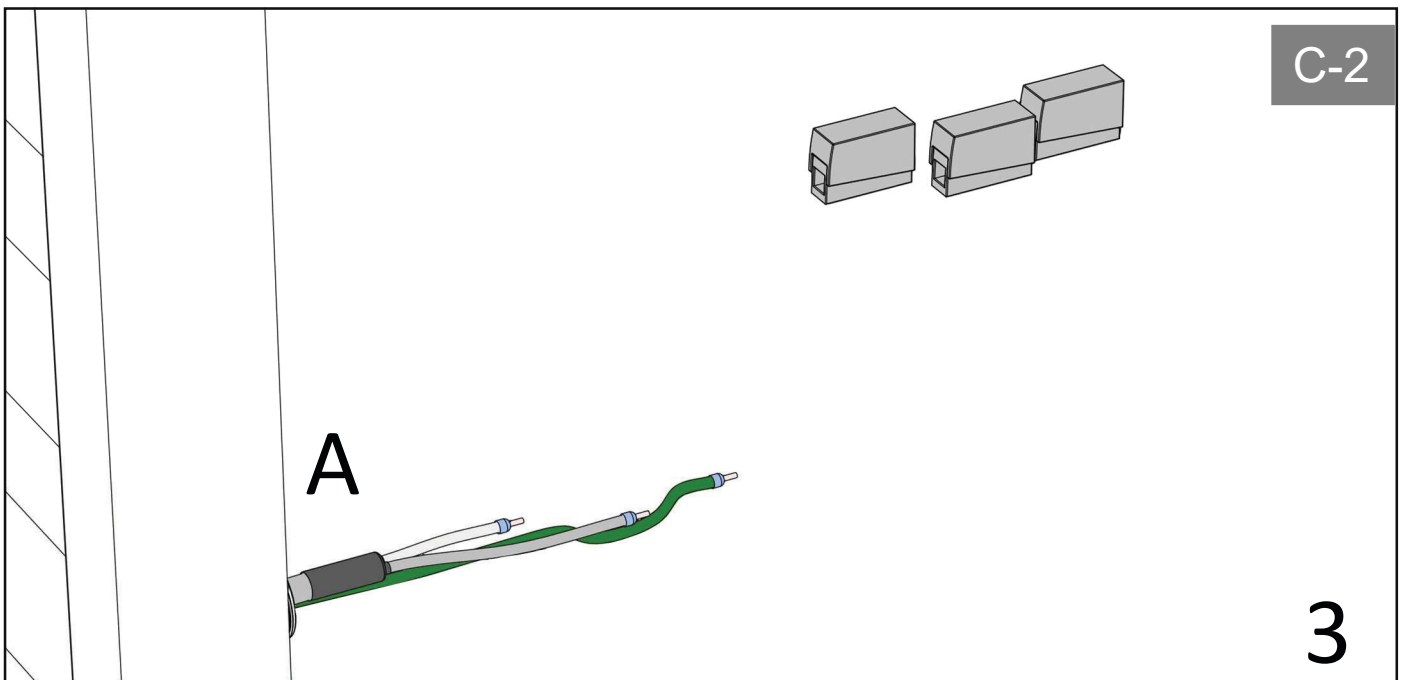
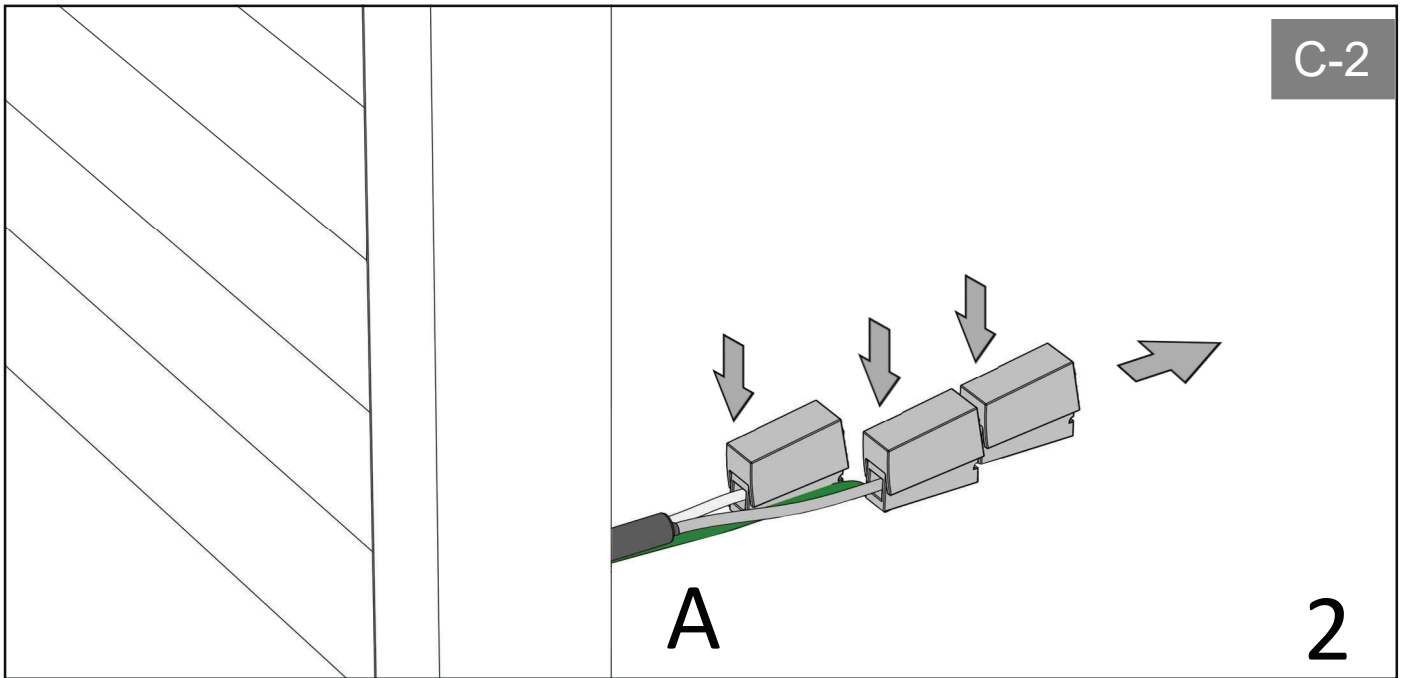
CONFIGURAZIONI
CONFIGURATION
KONFIGURATION
КОНФИГУРАЦИЯ

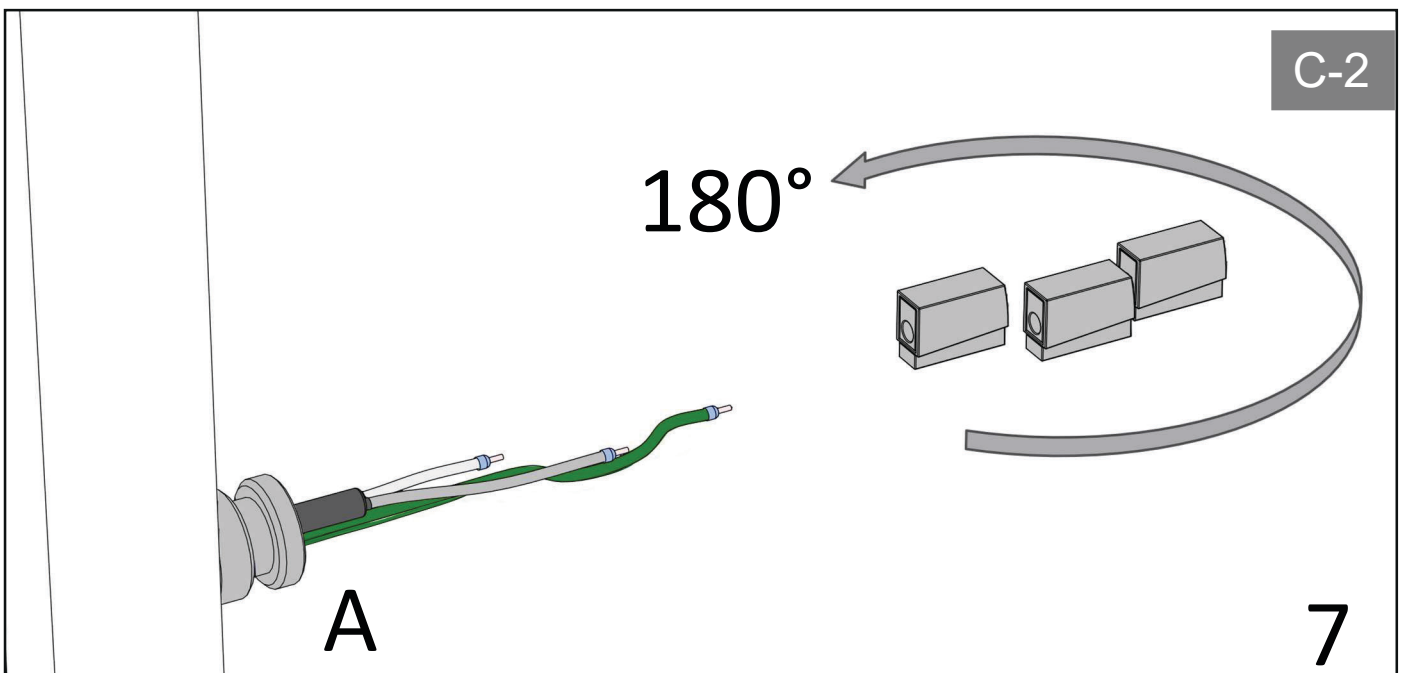
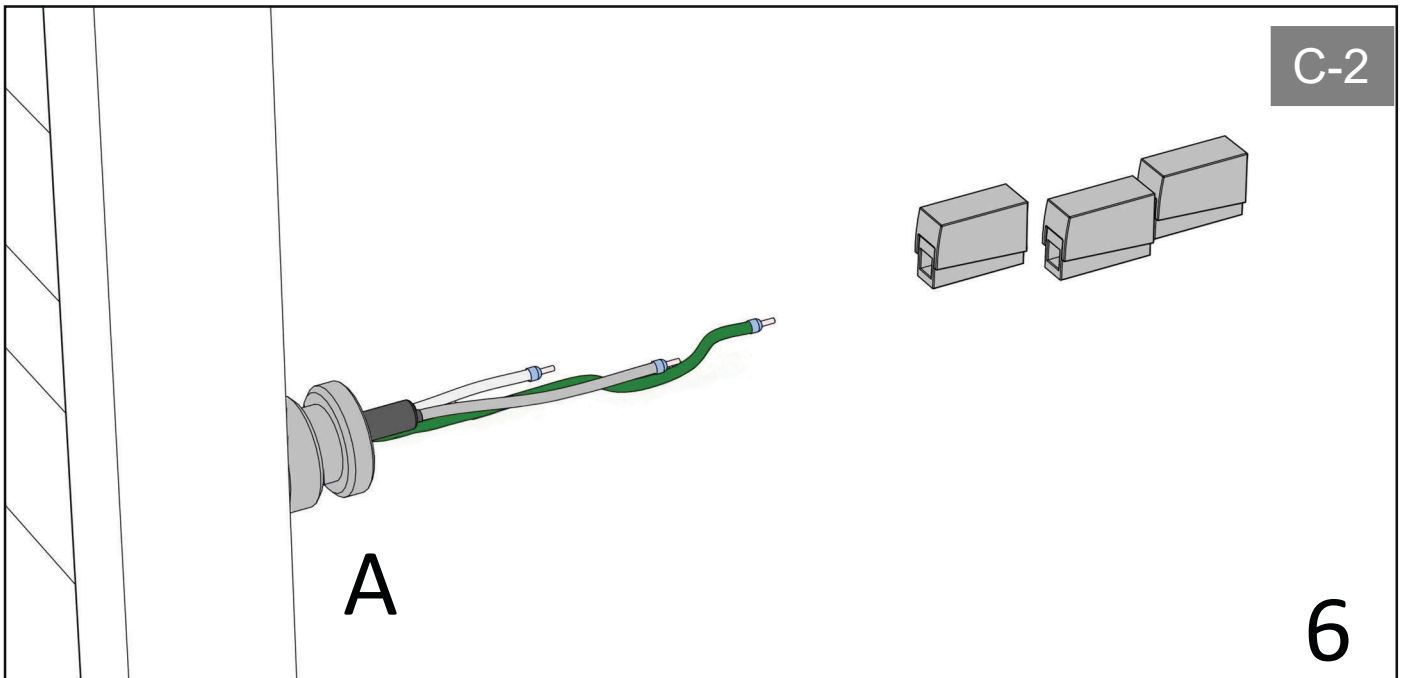
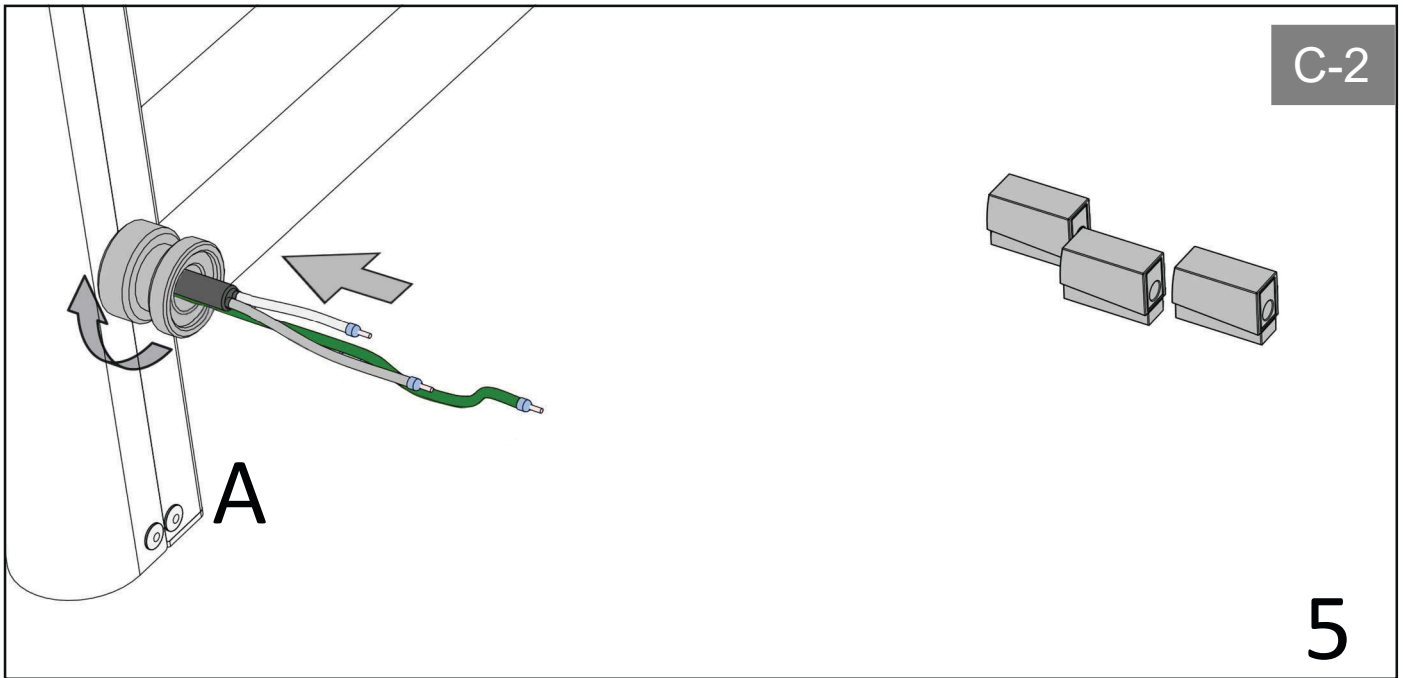
C-2

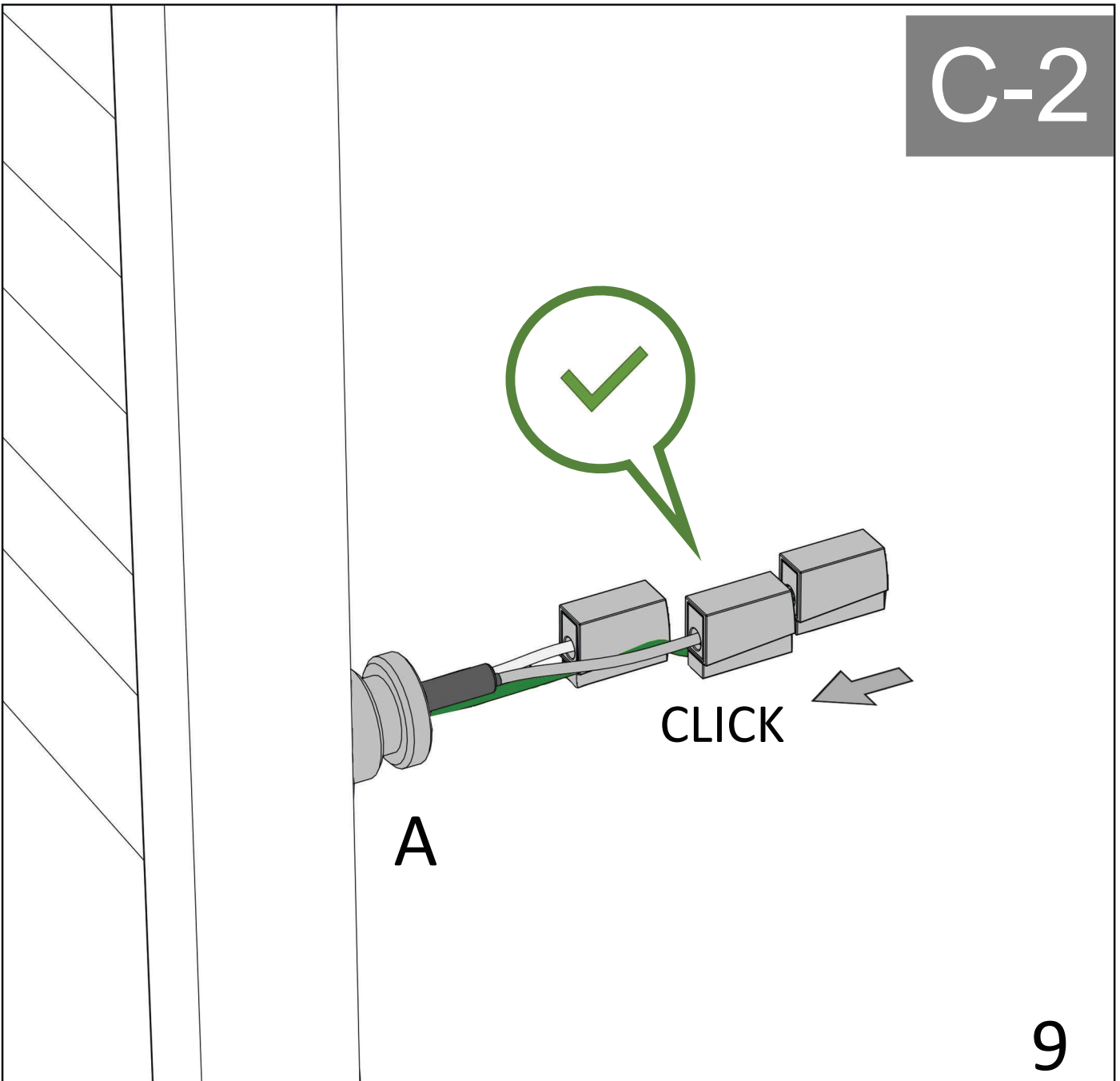
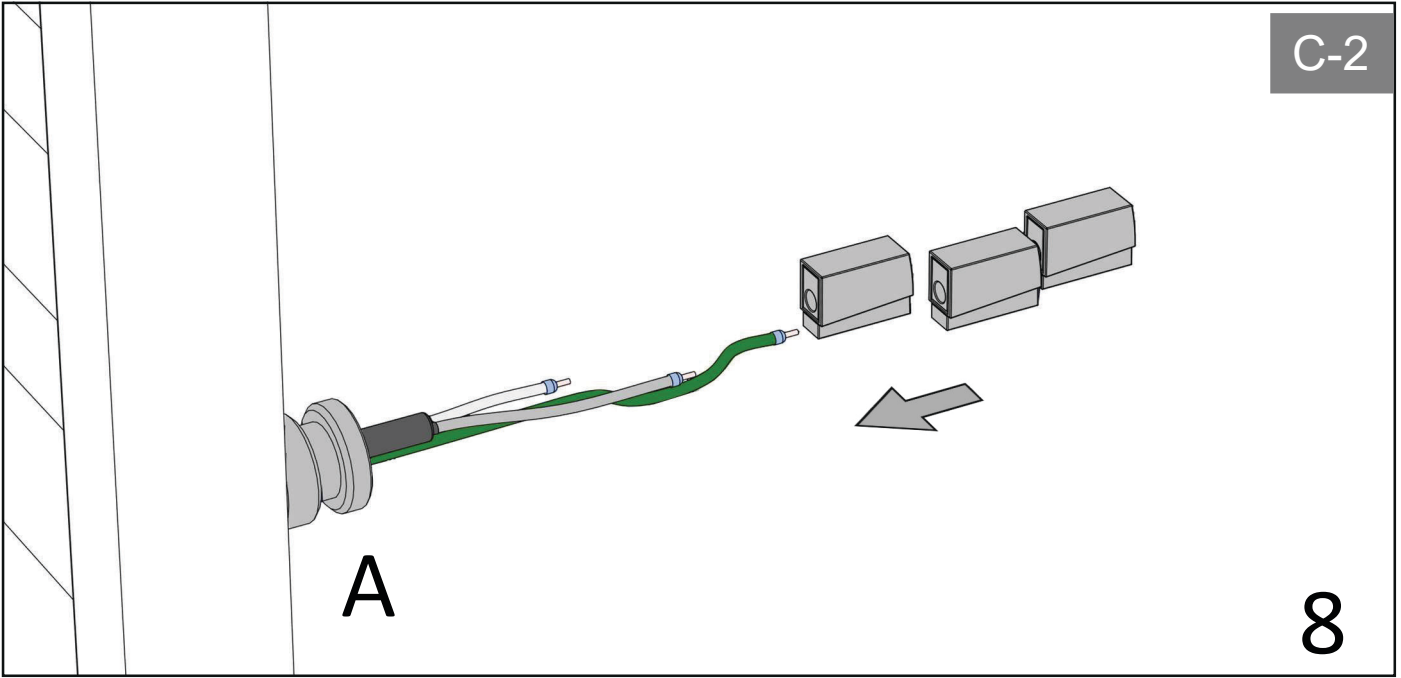


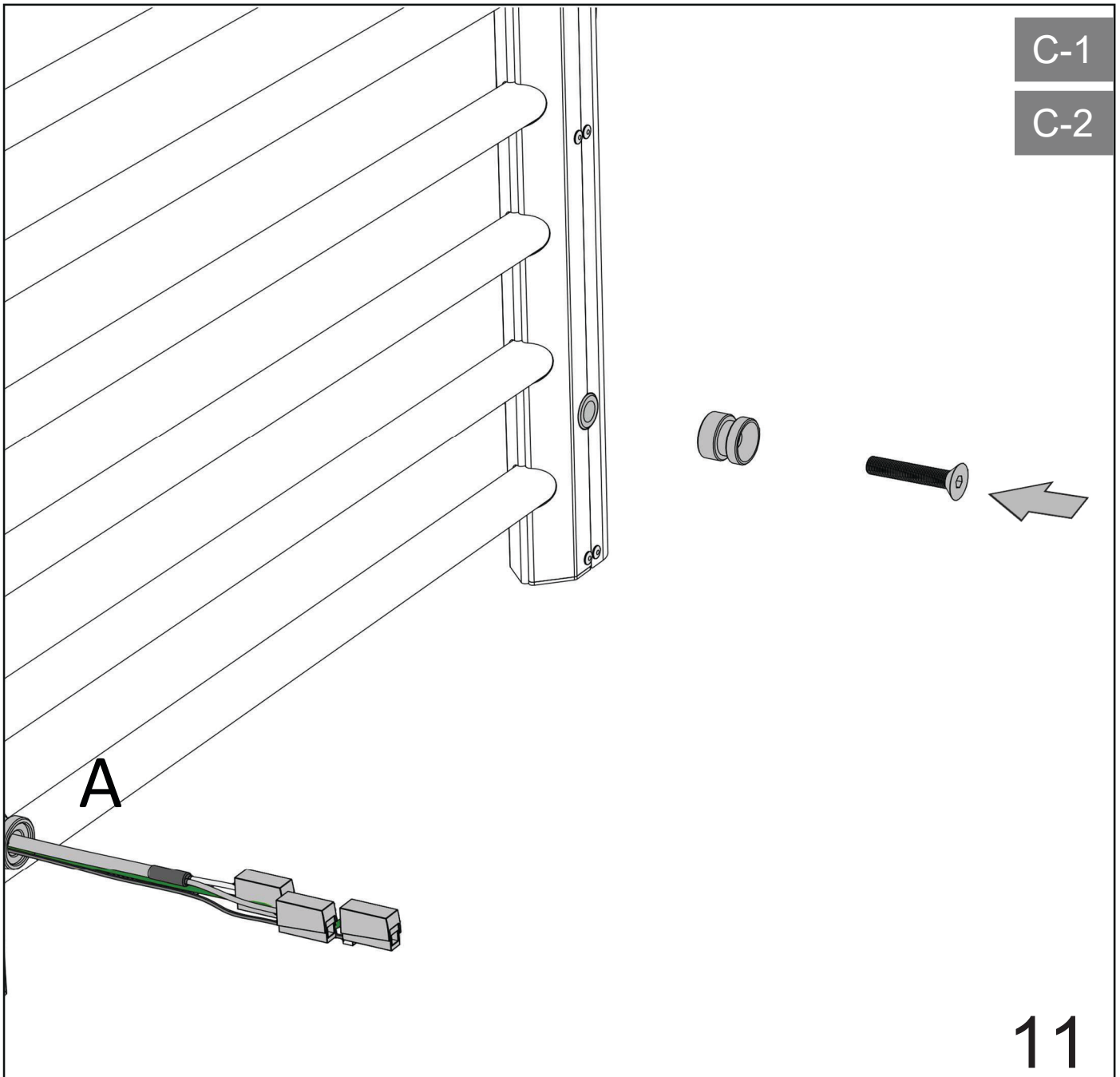
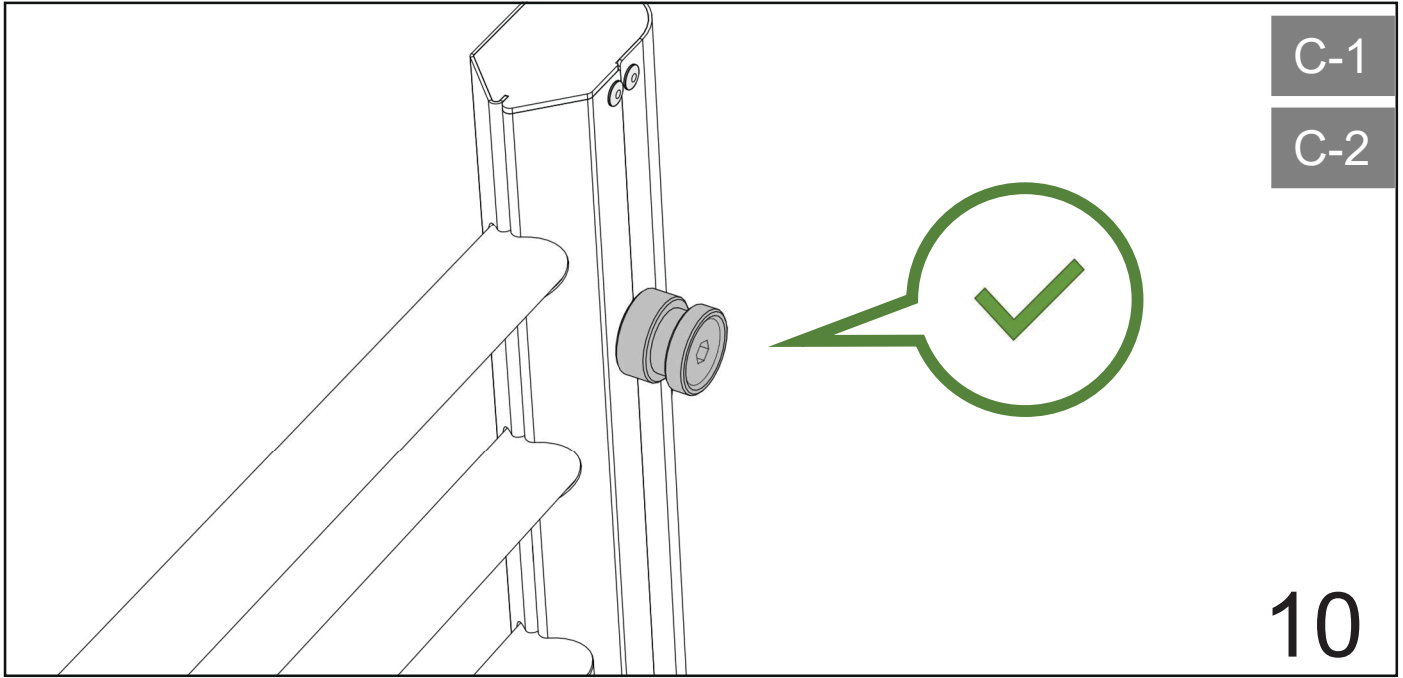
A

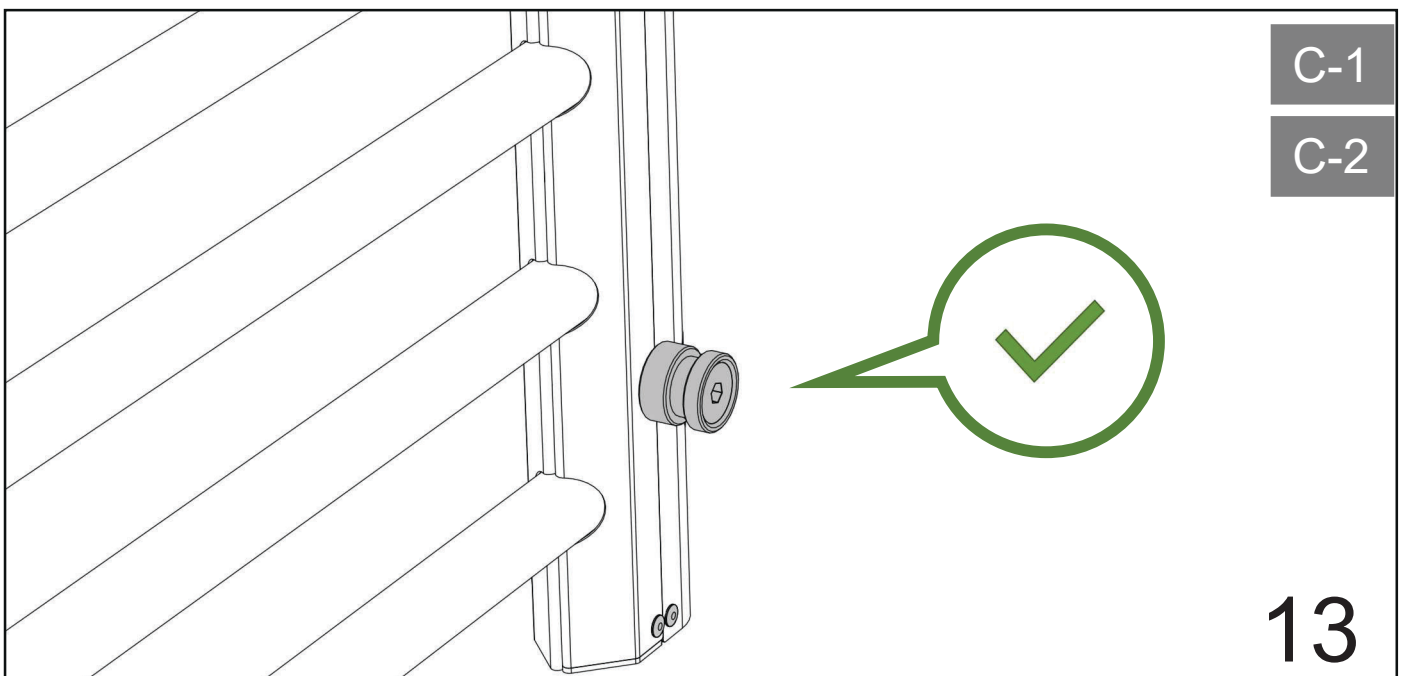
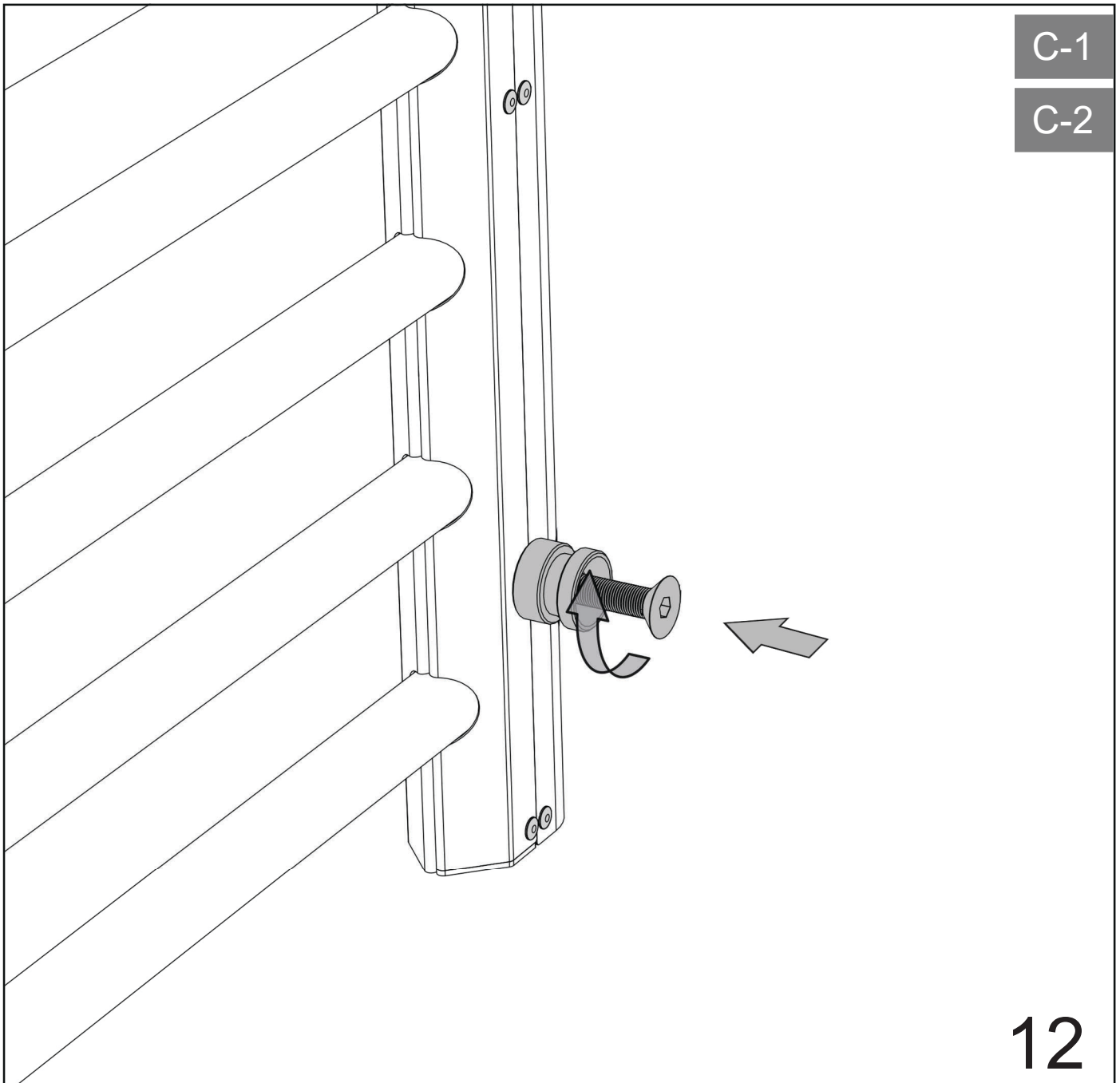
1





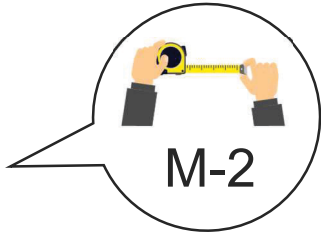
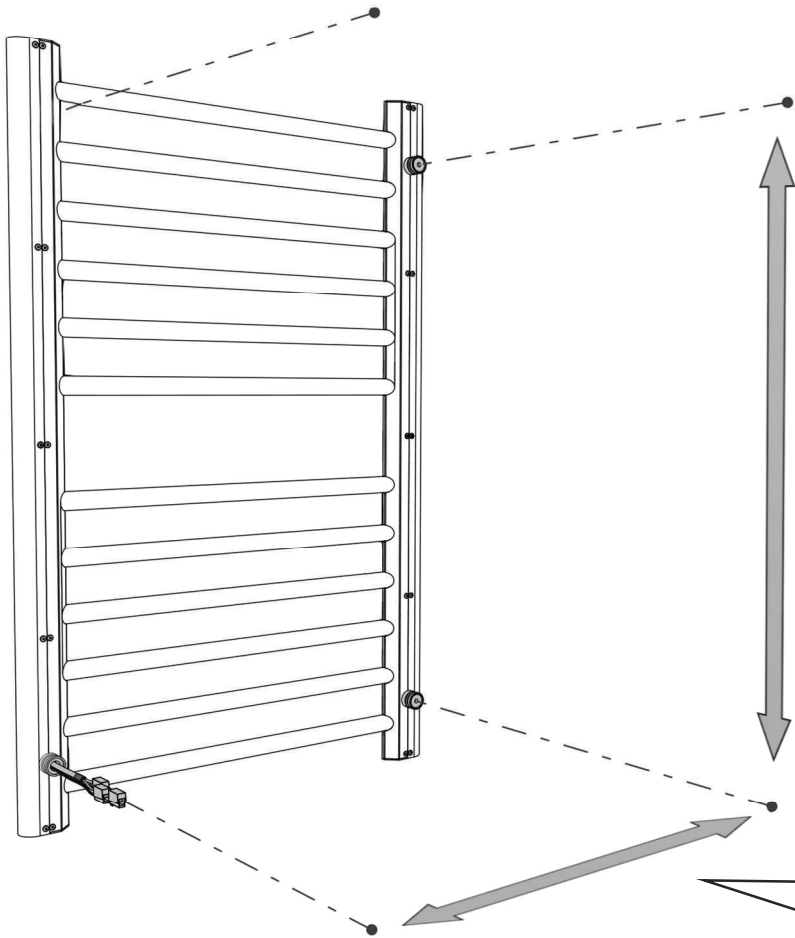
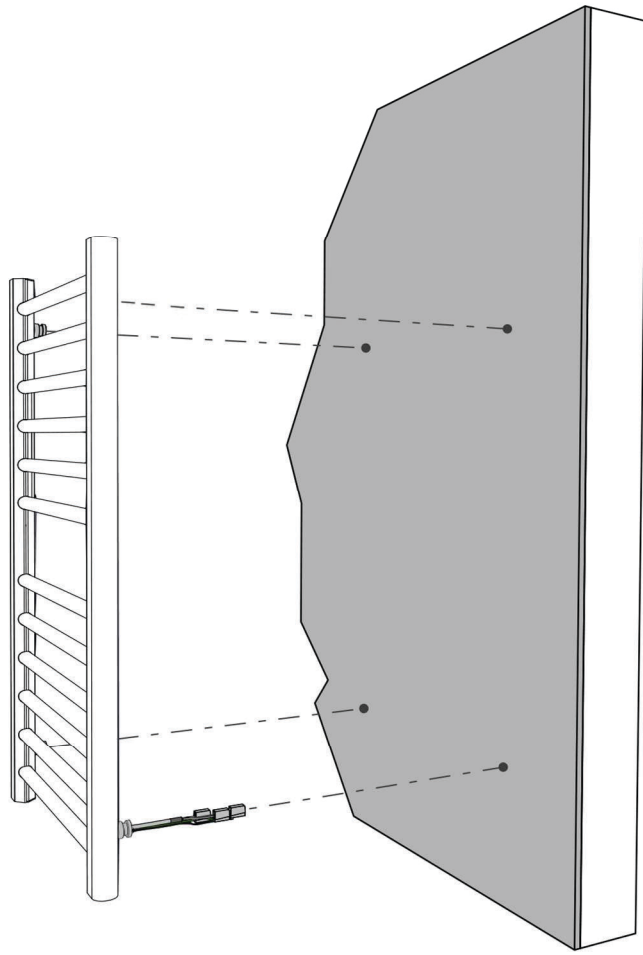




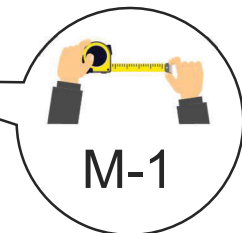


C-1

C-2



M-2

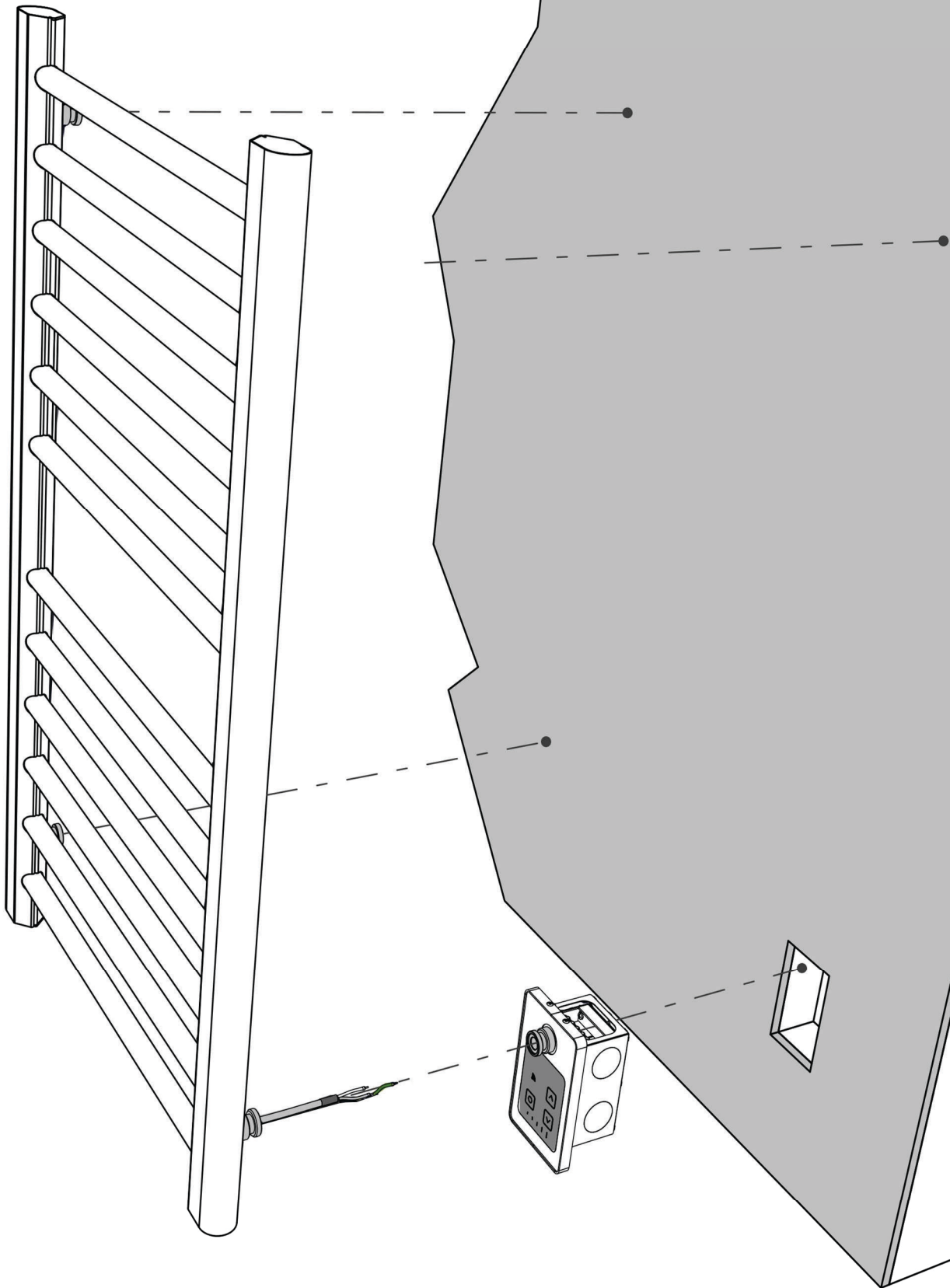


M-1

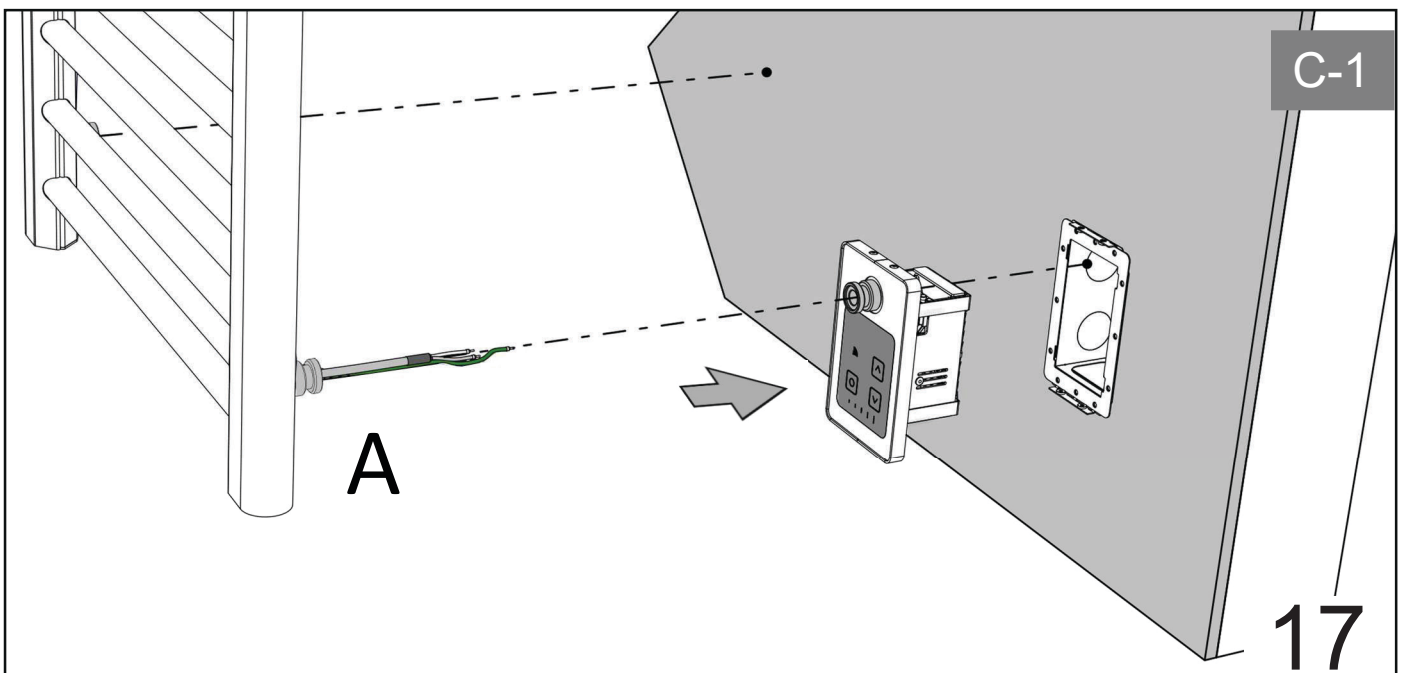
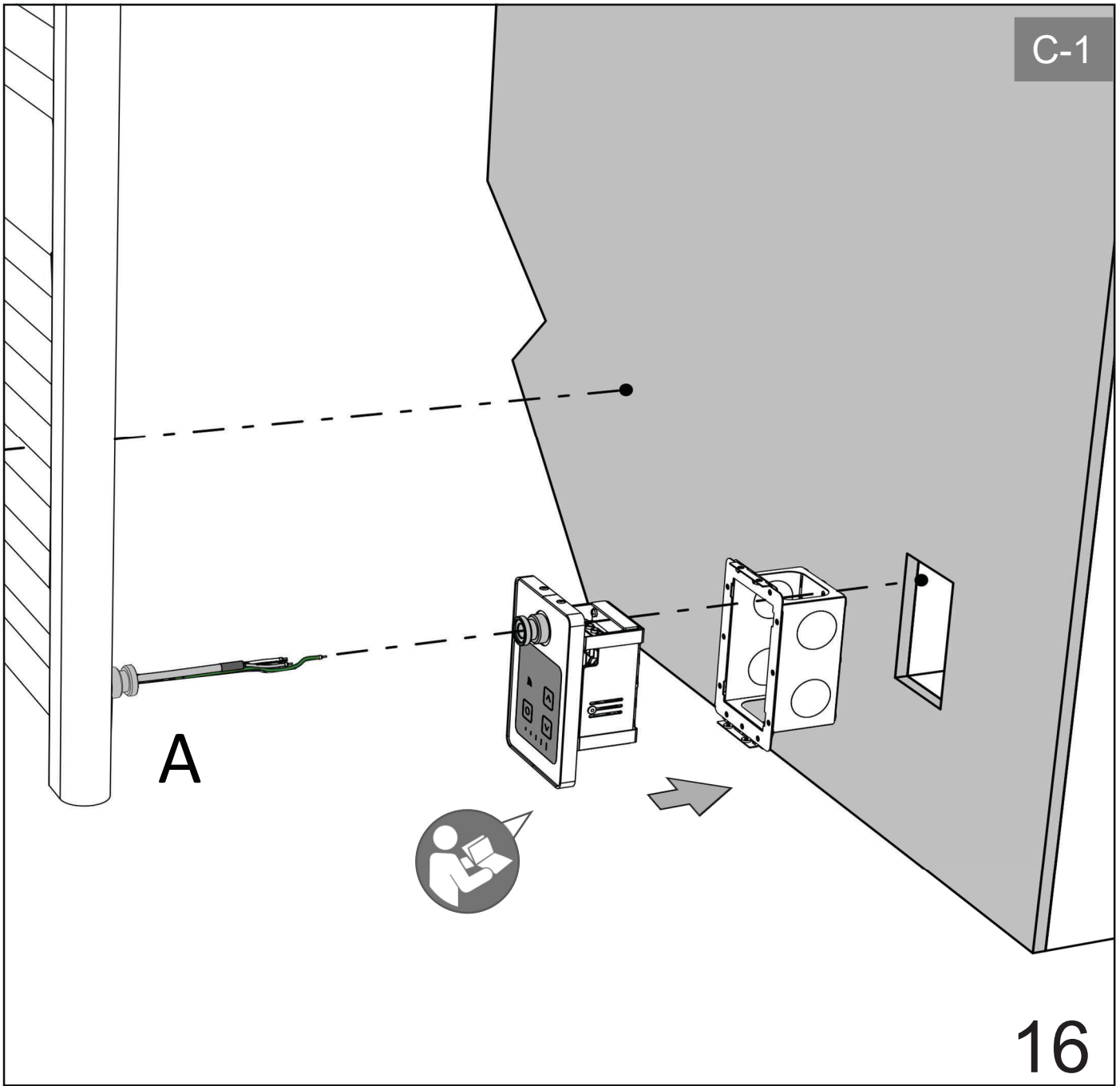
14

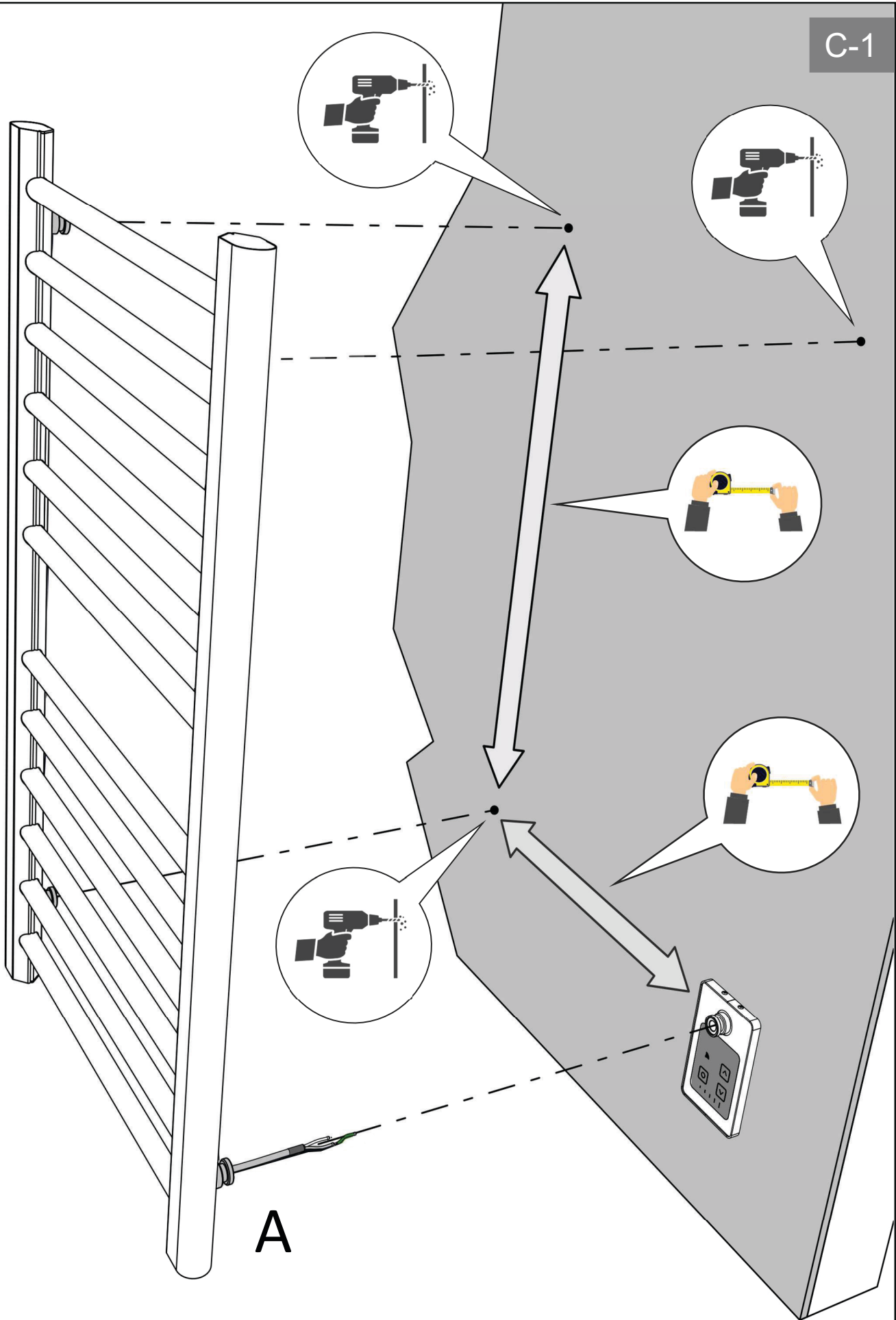
CONFIGURAZIONE
CONFIGURATION
KONFIGURATION
КОНФИГУРАЦИЯ

C-1

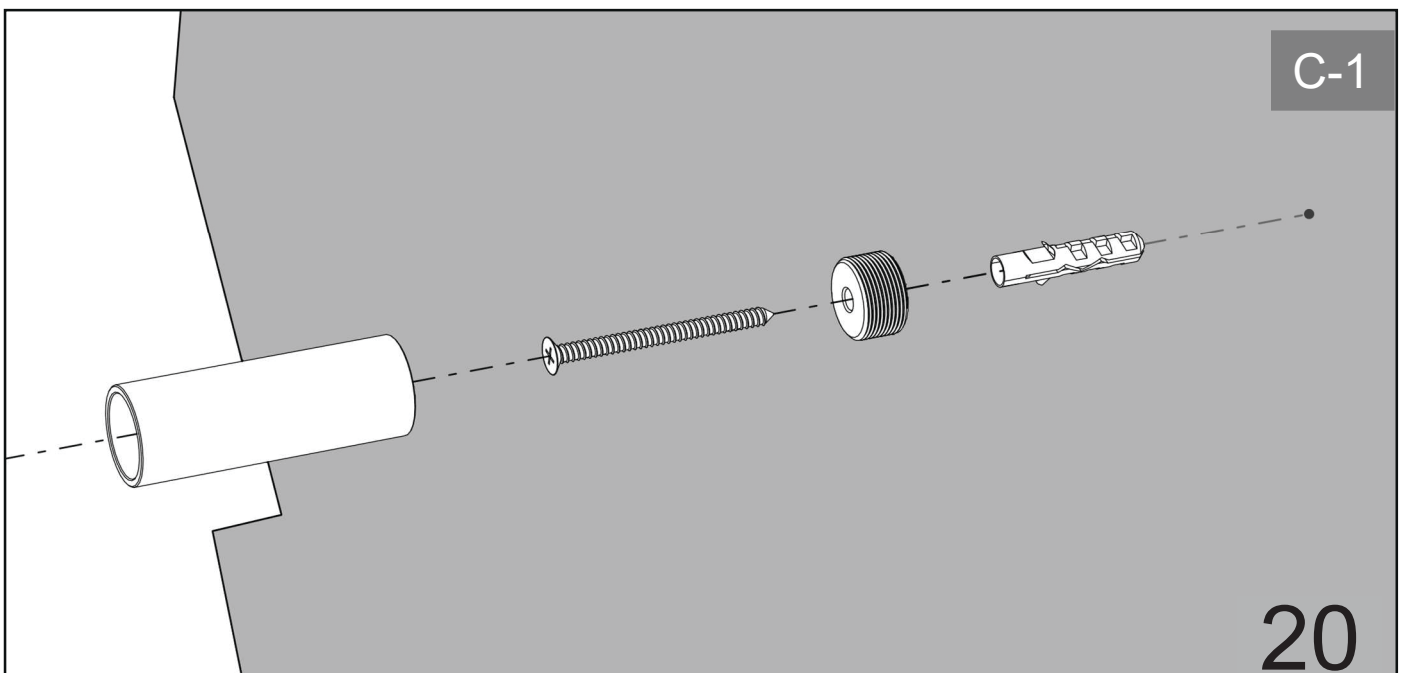
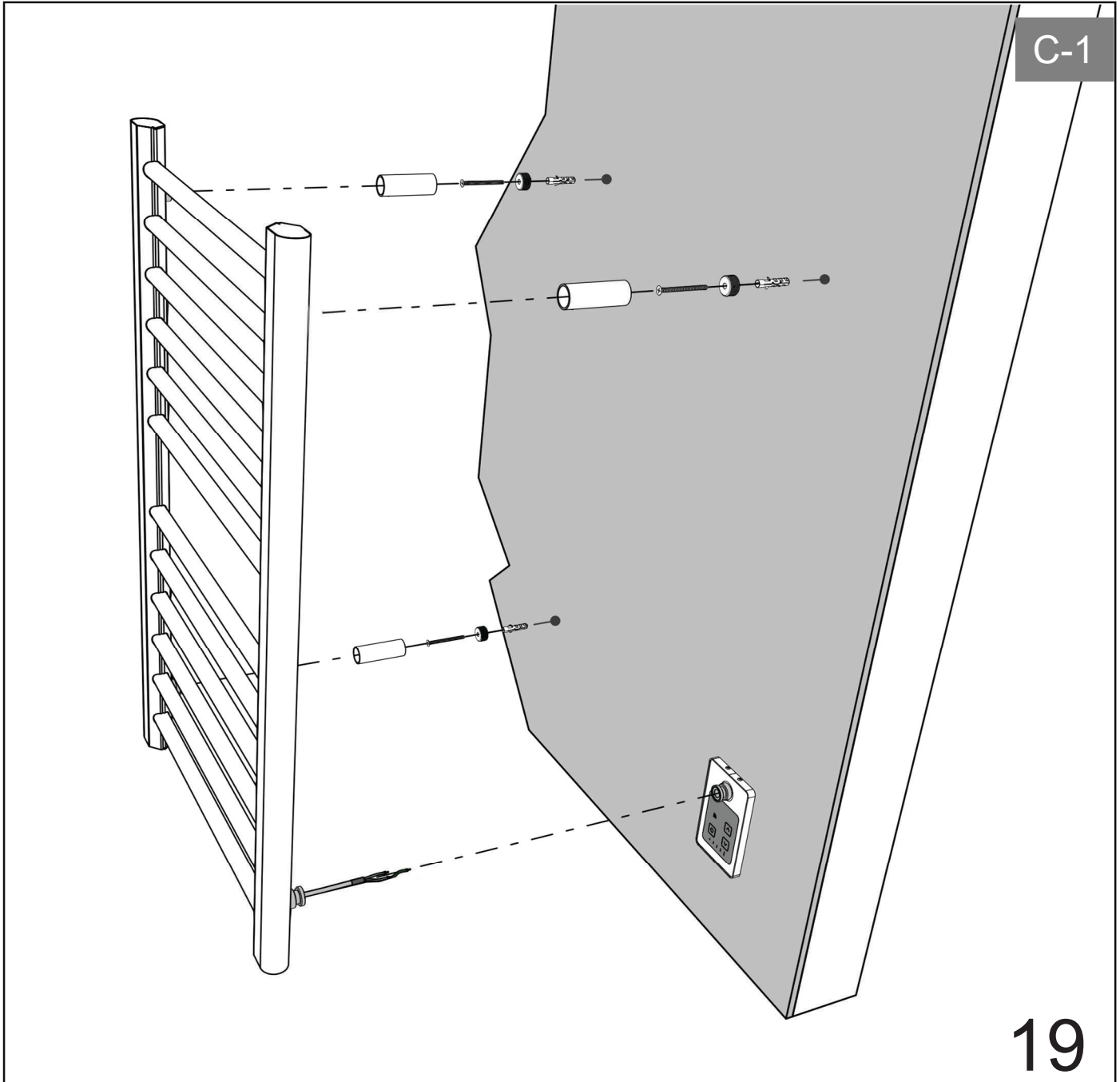


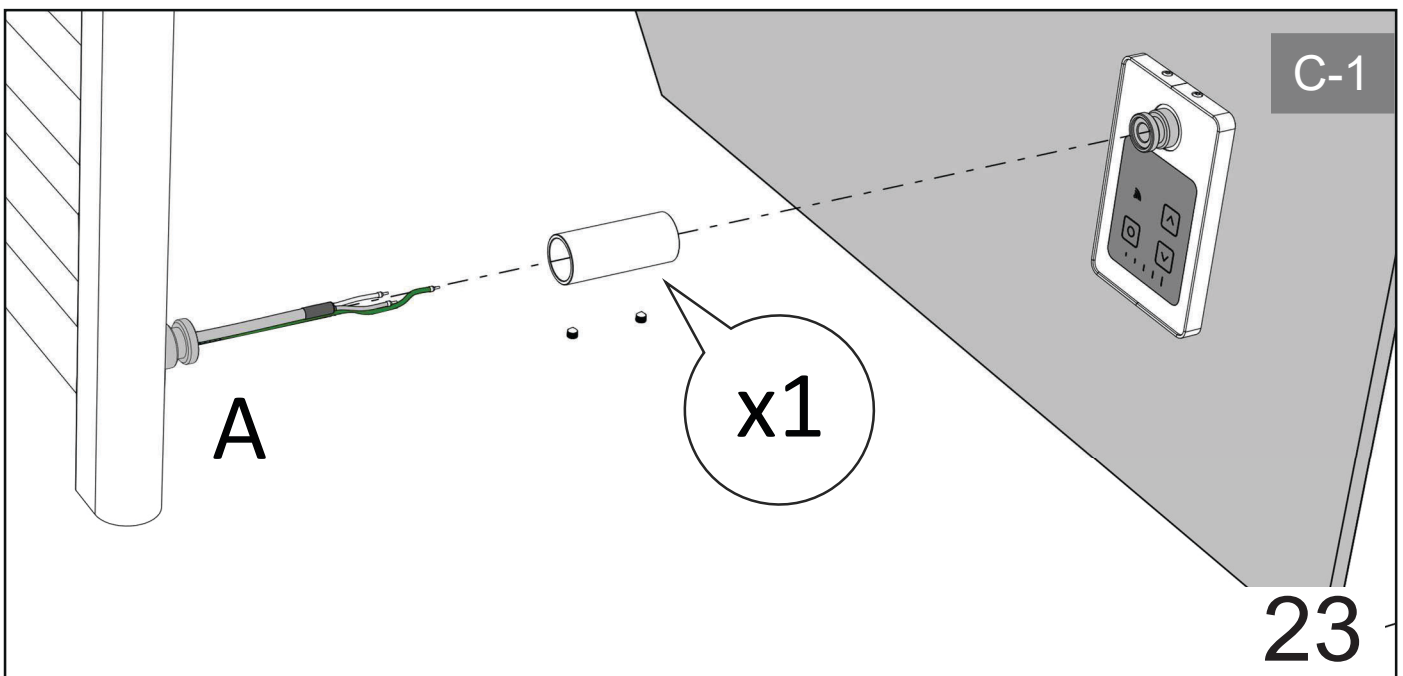
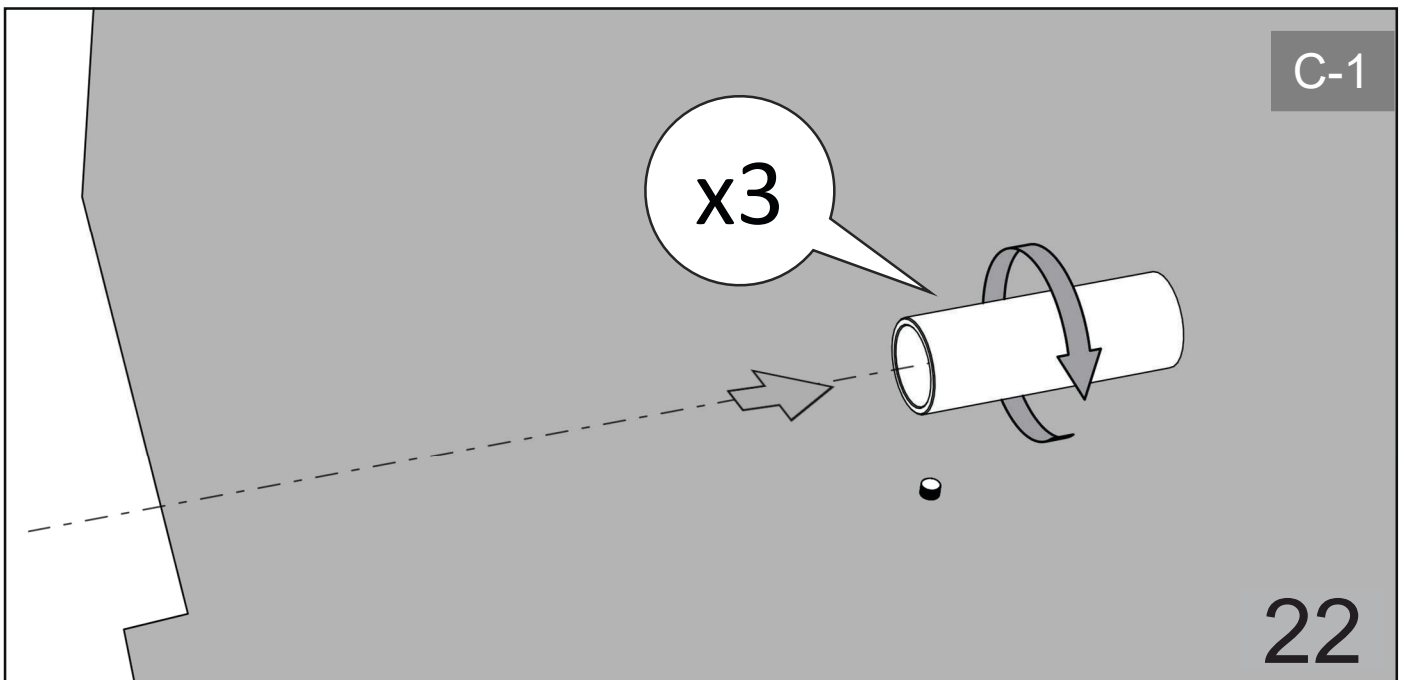
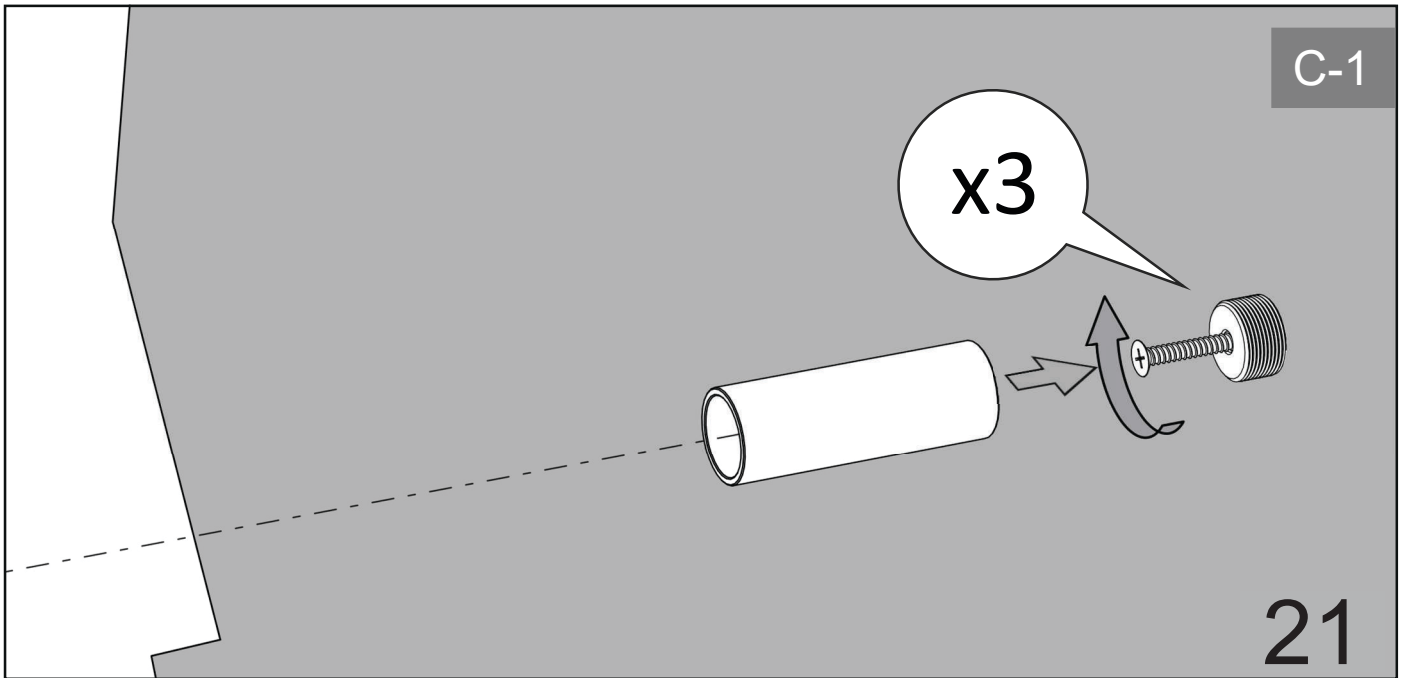
15

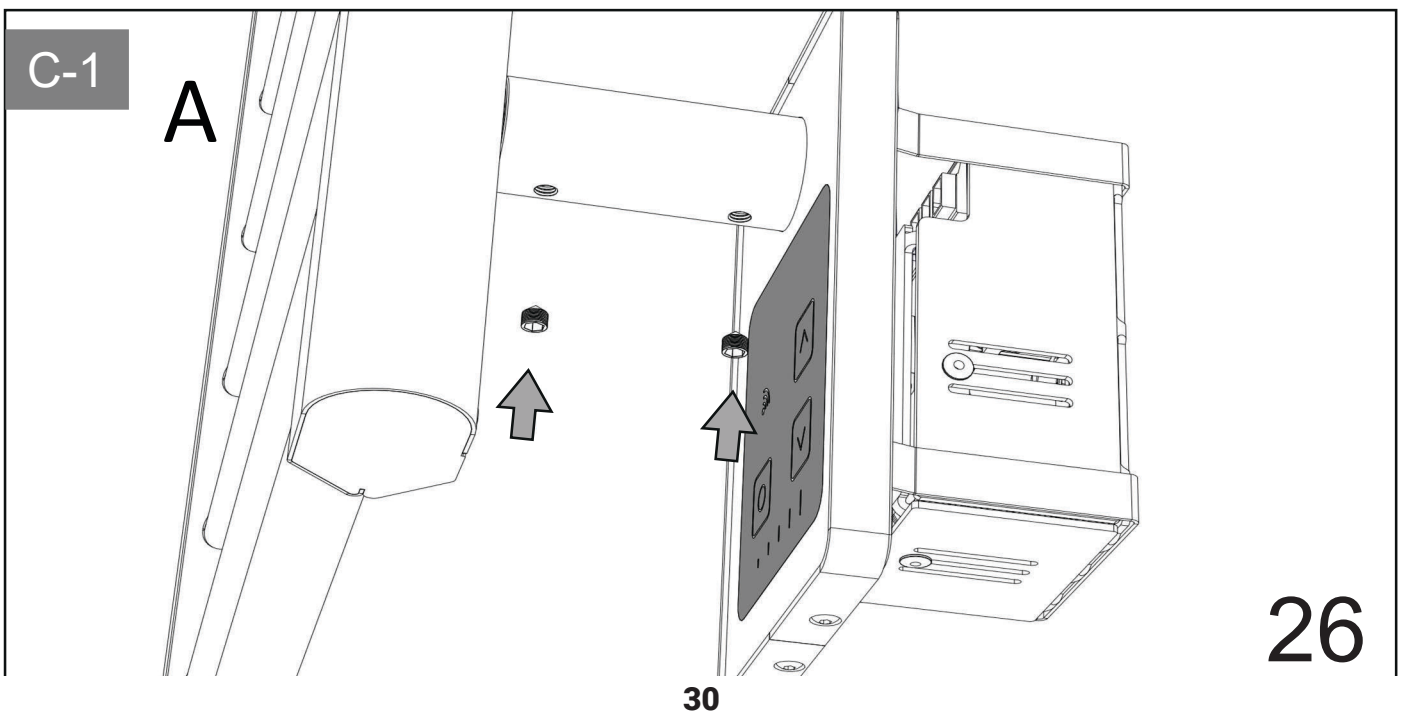
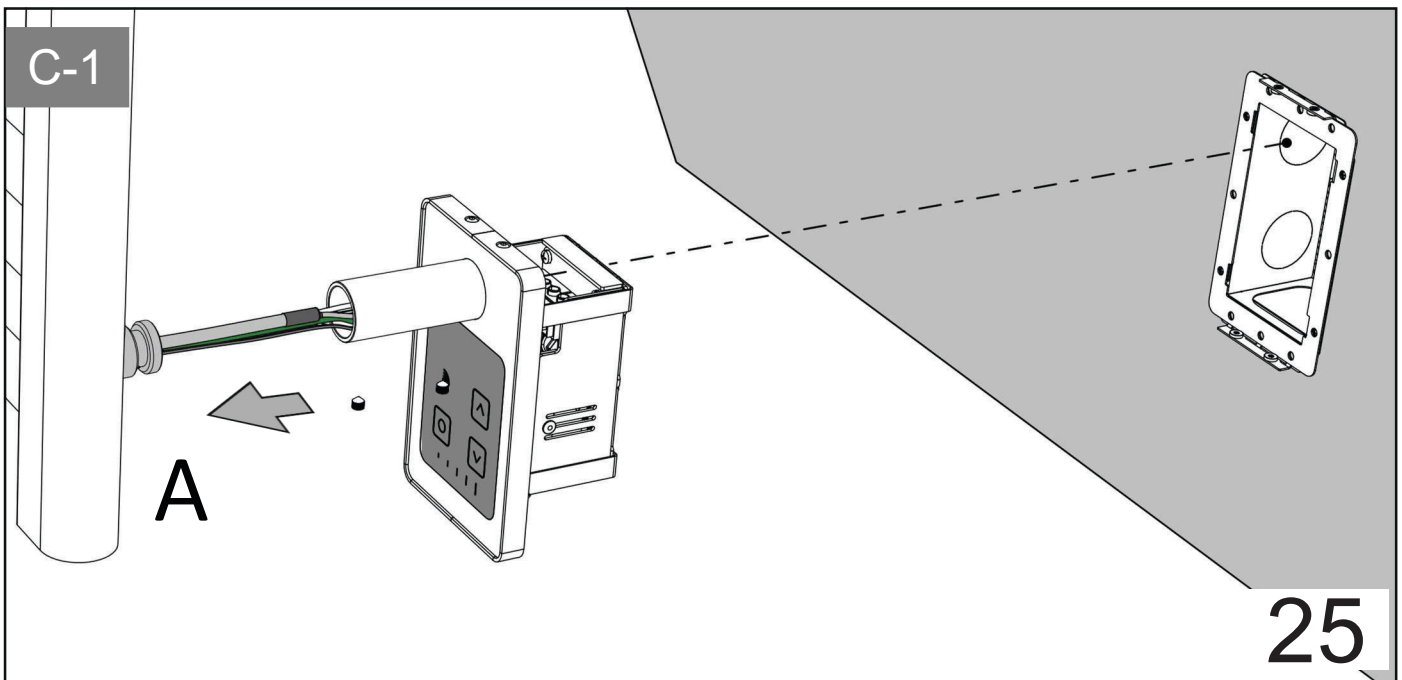
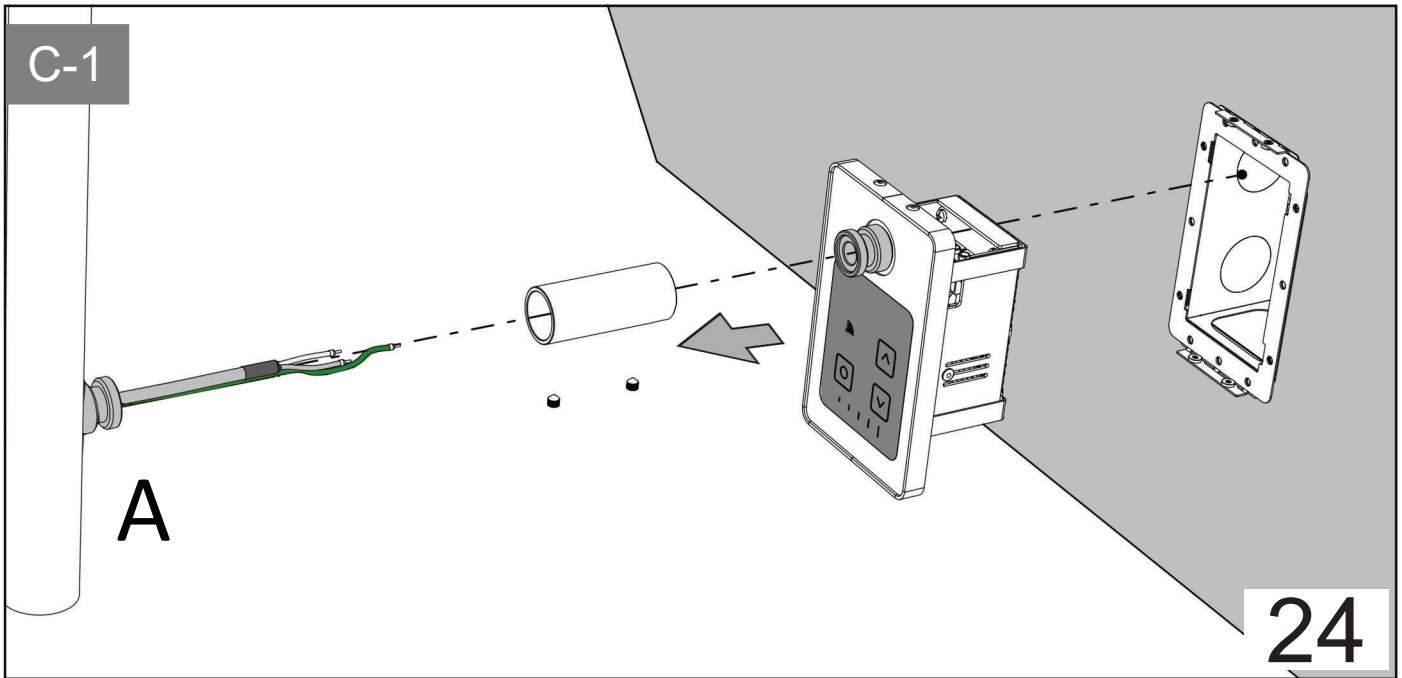




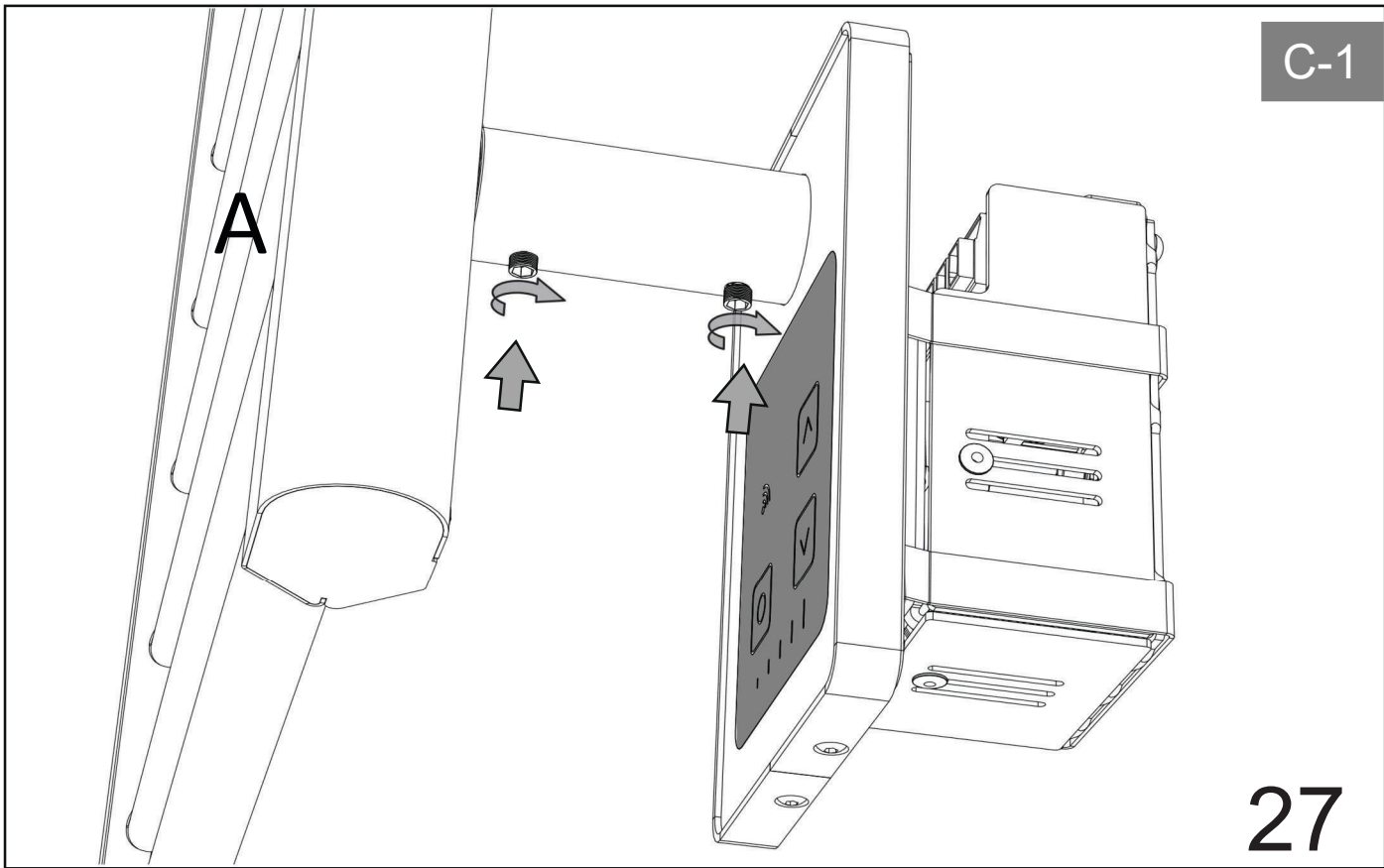
A



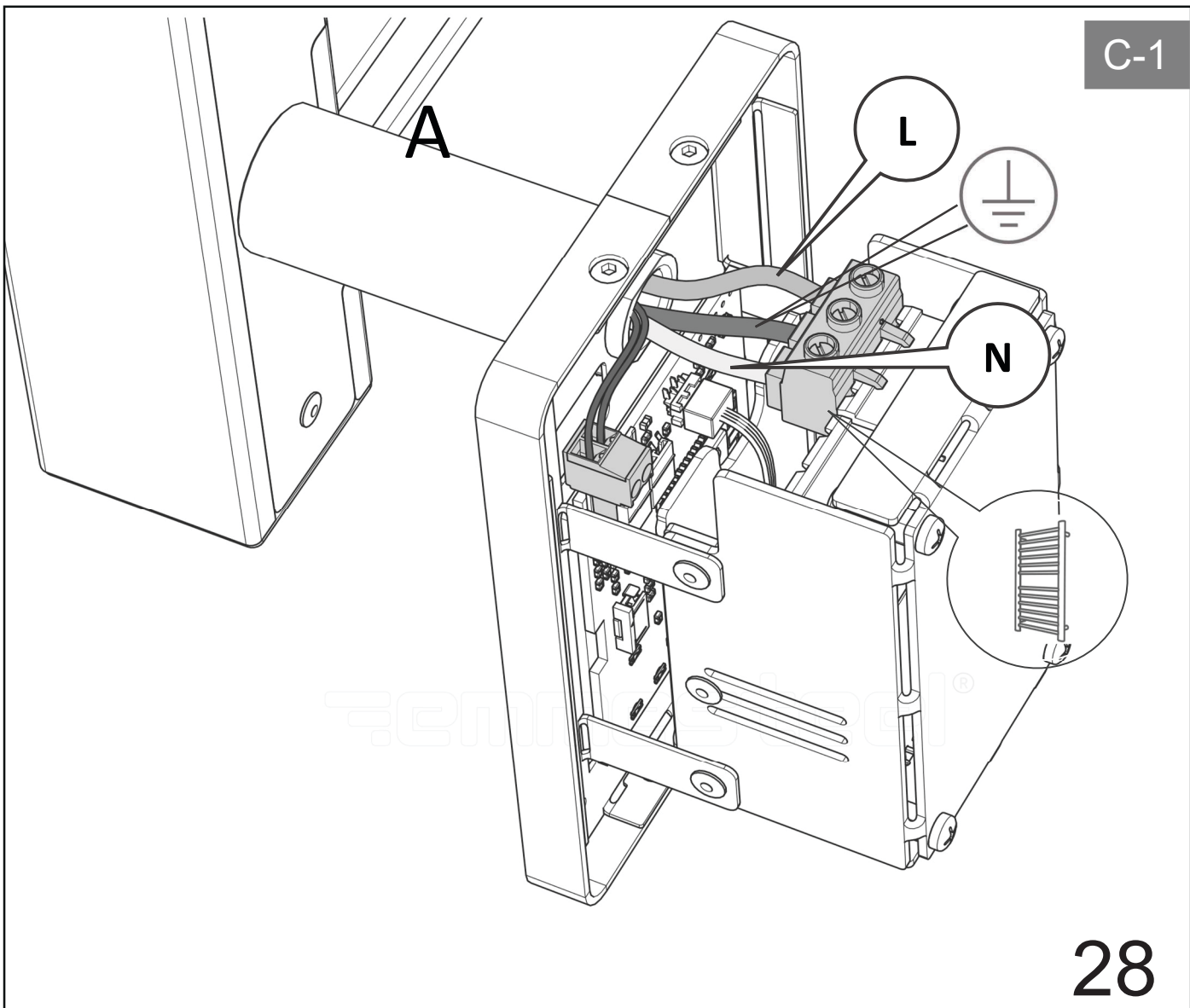


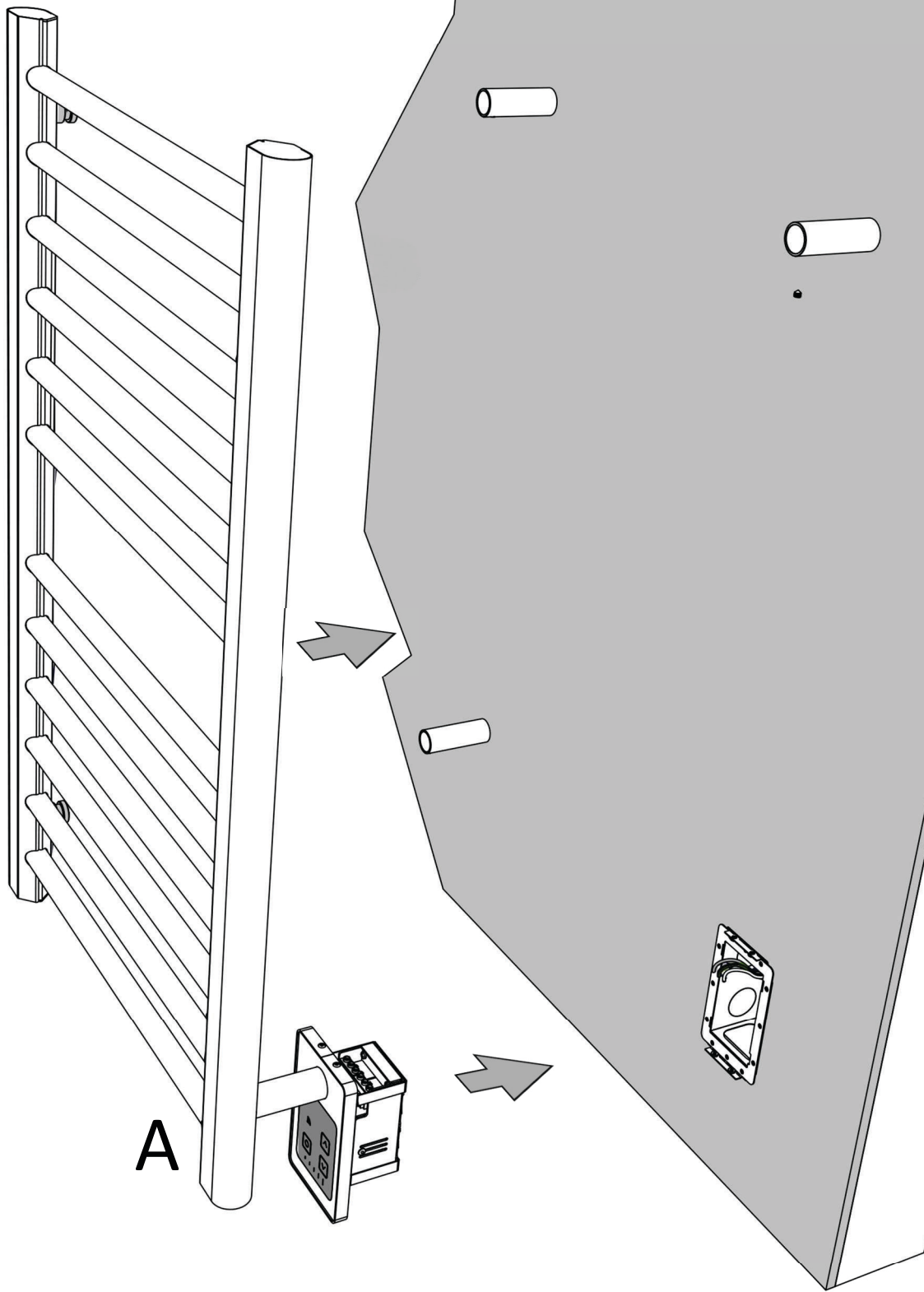


C-1

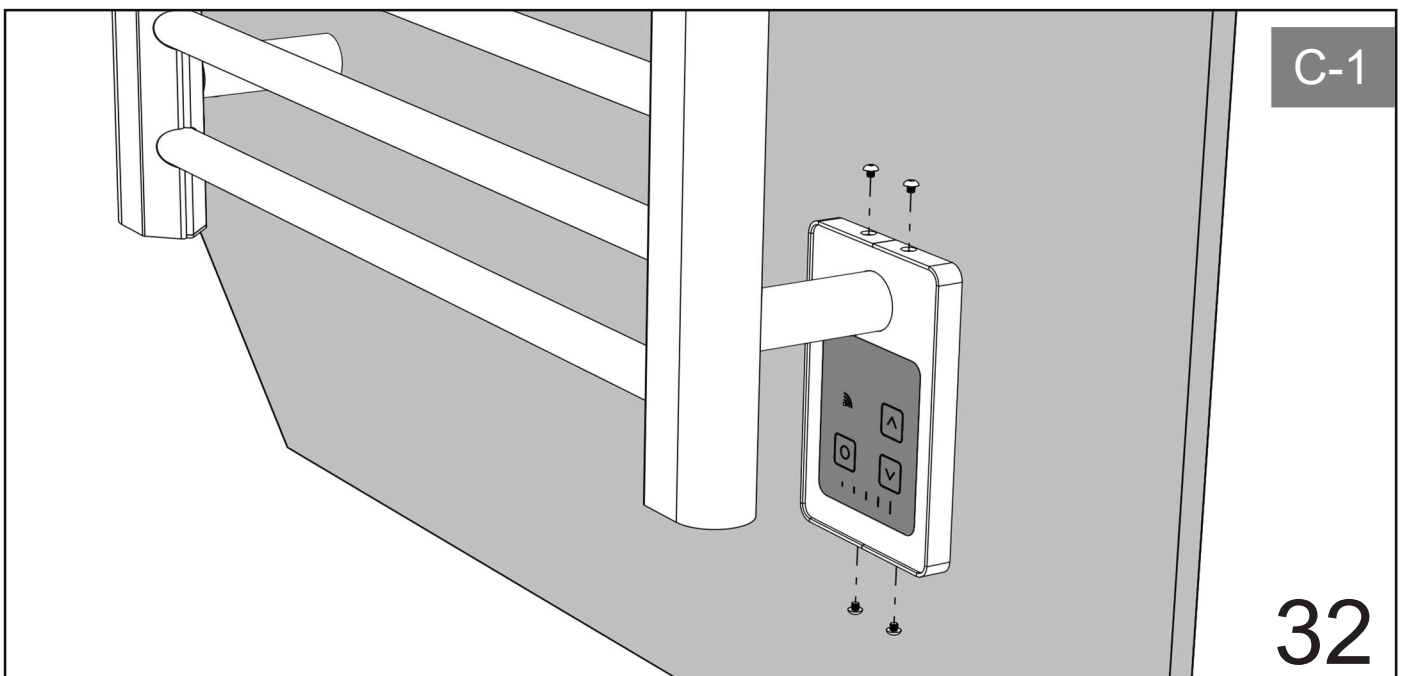
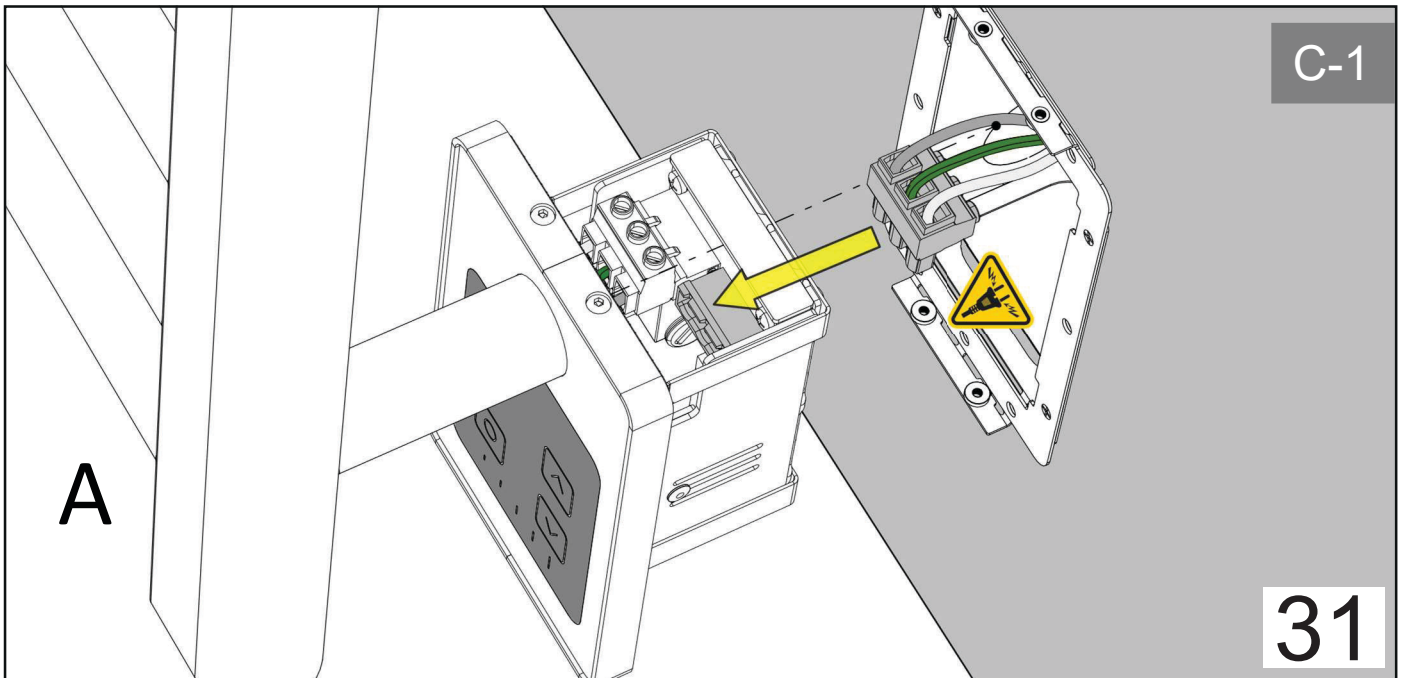
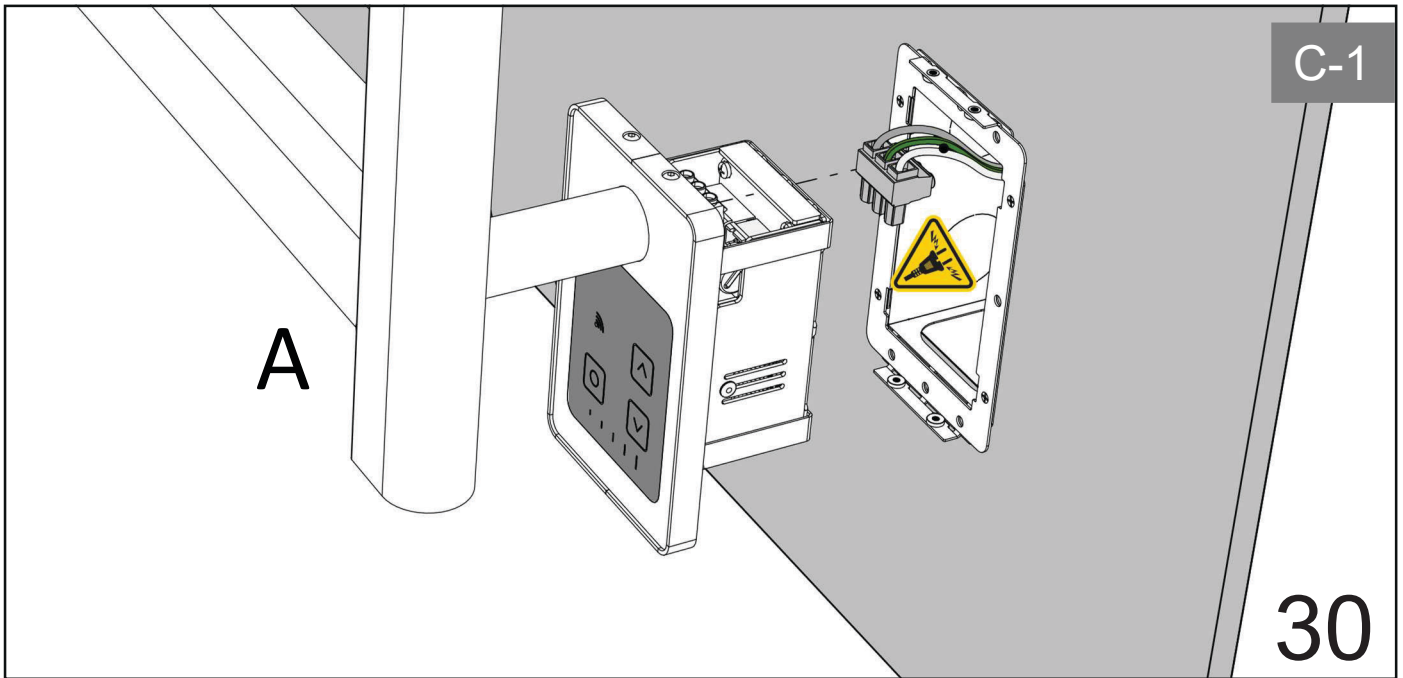


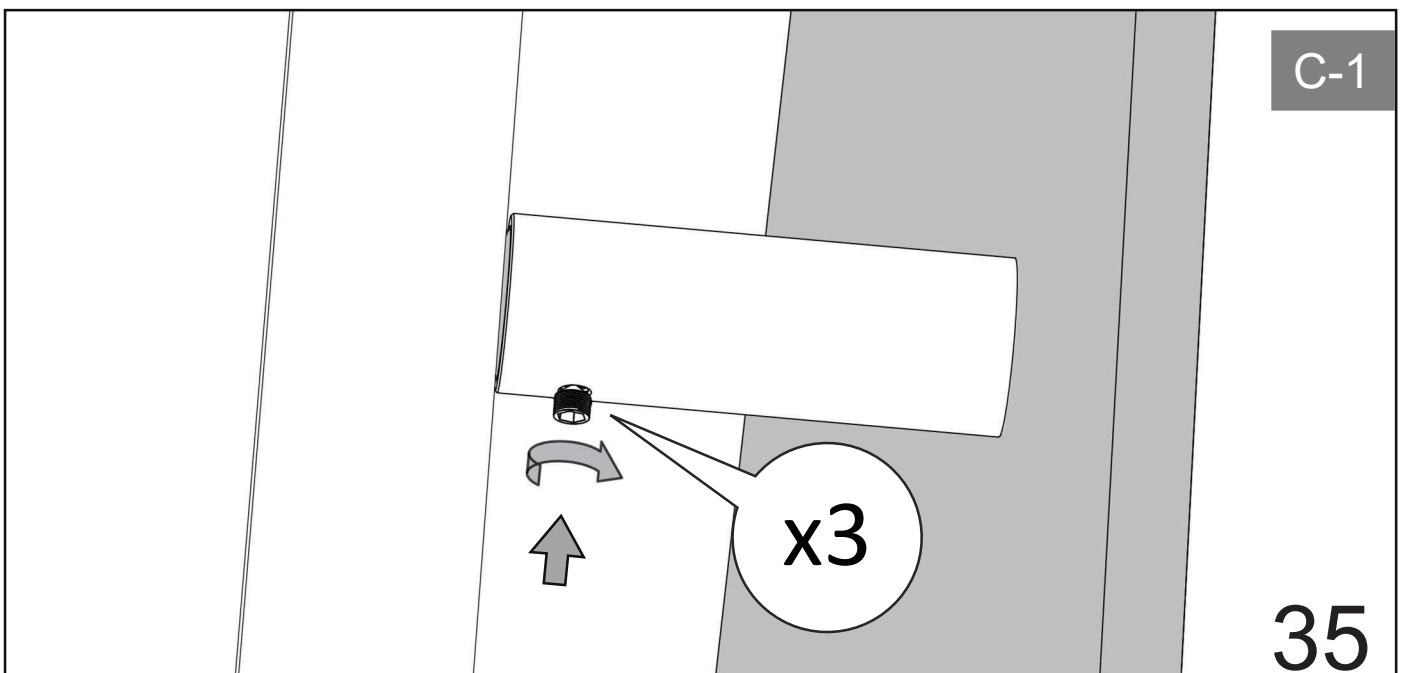
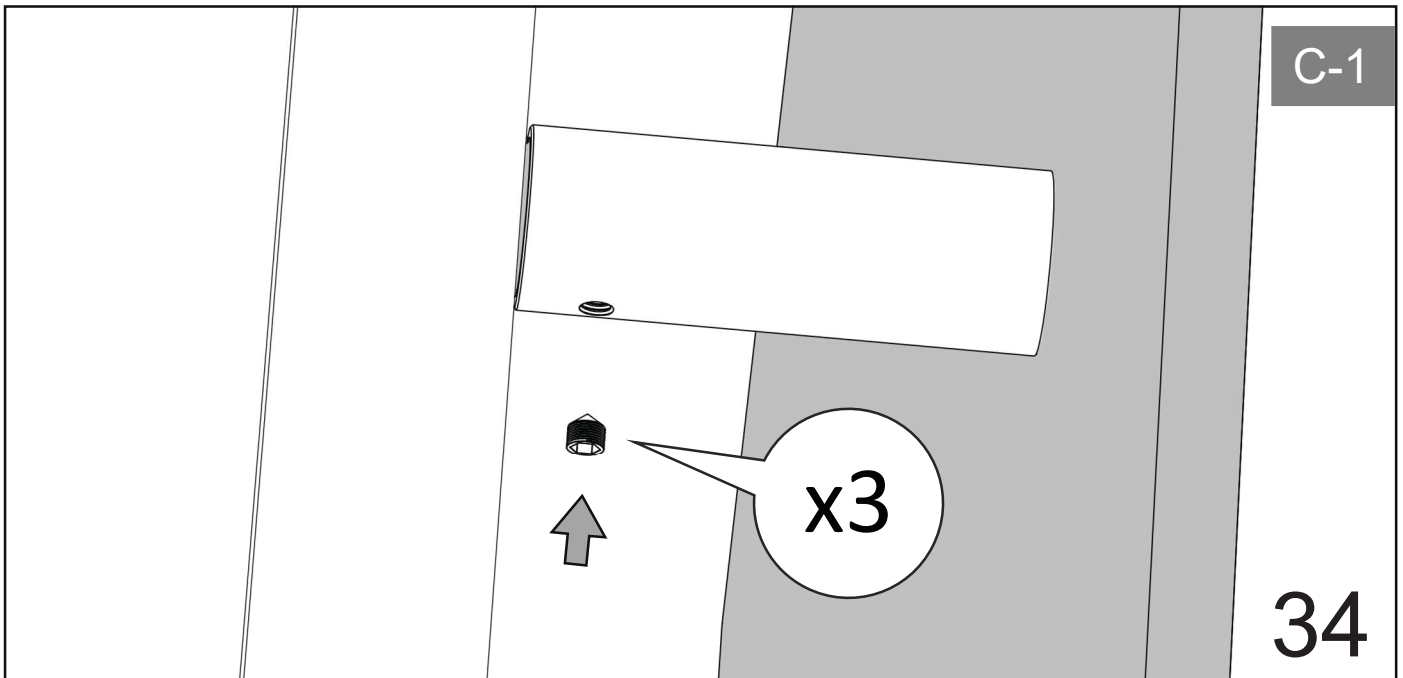
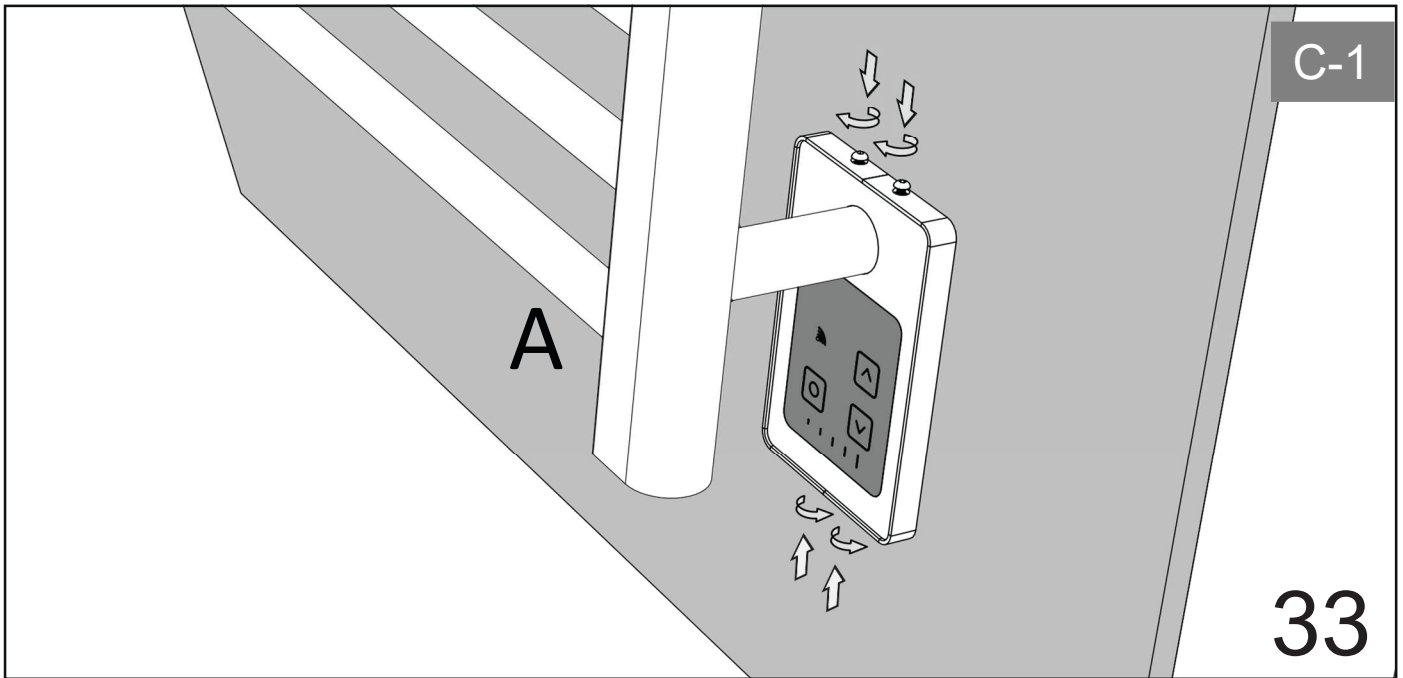
C-1

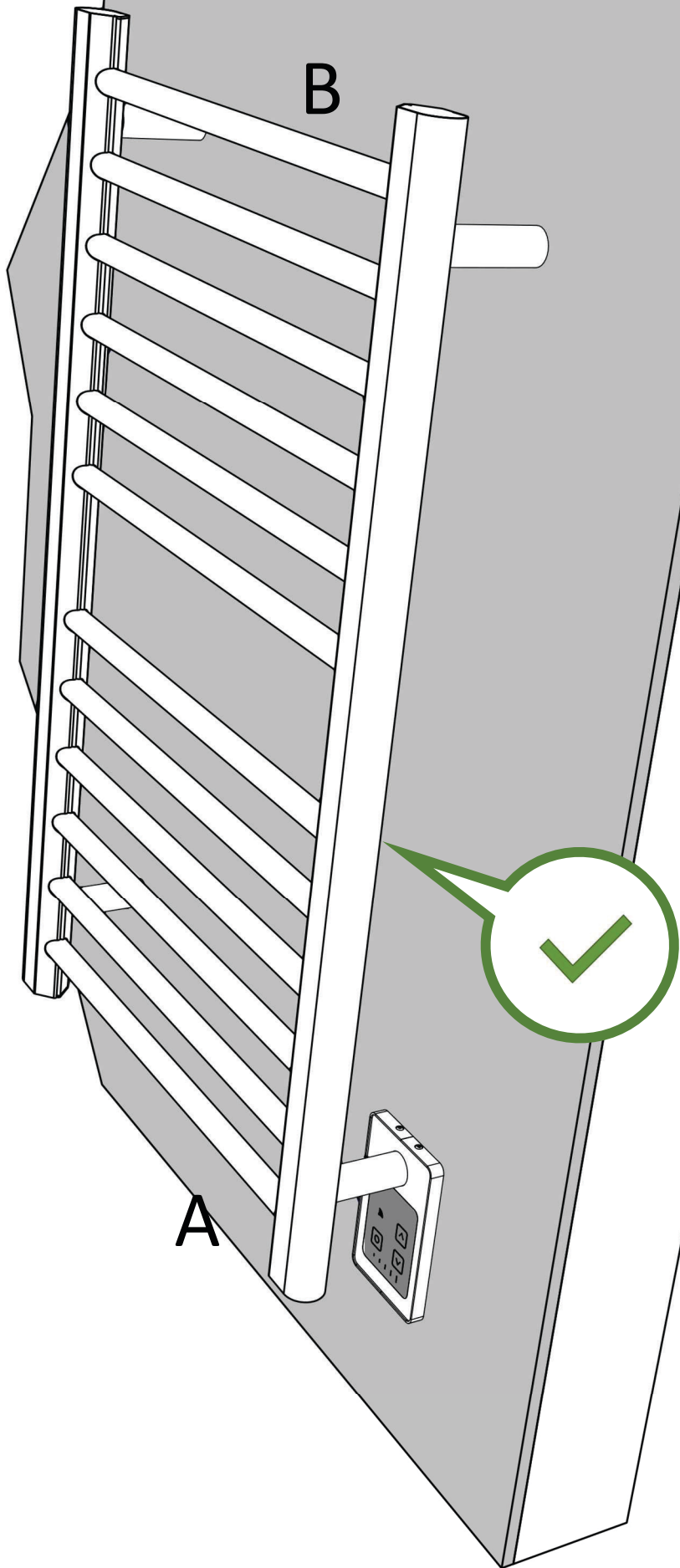




A

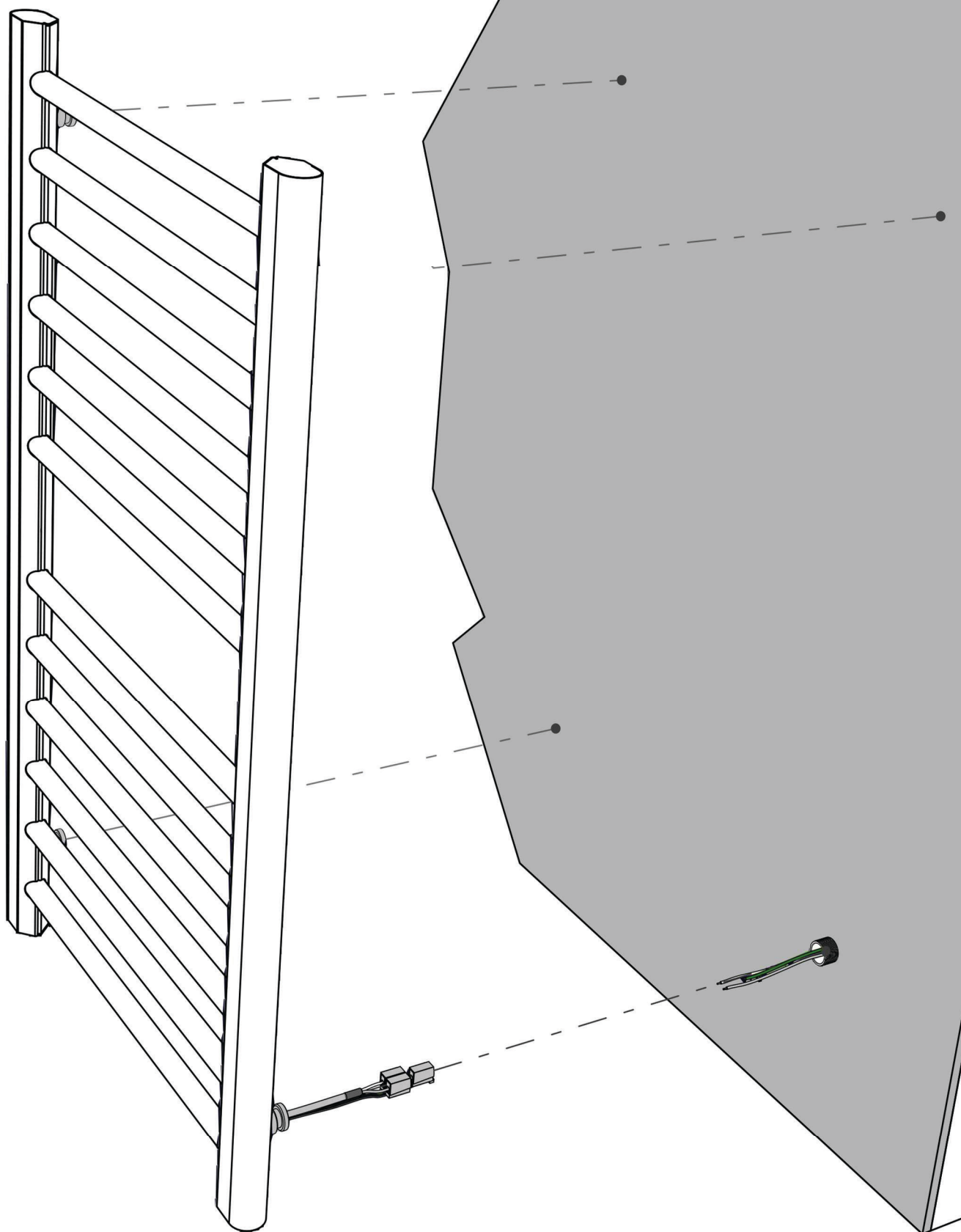




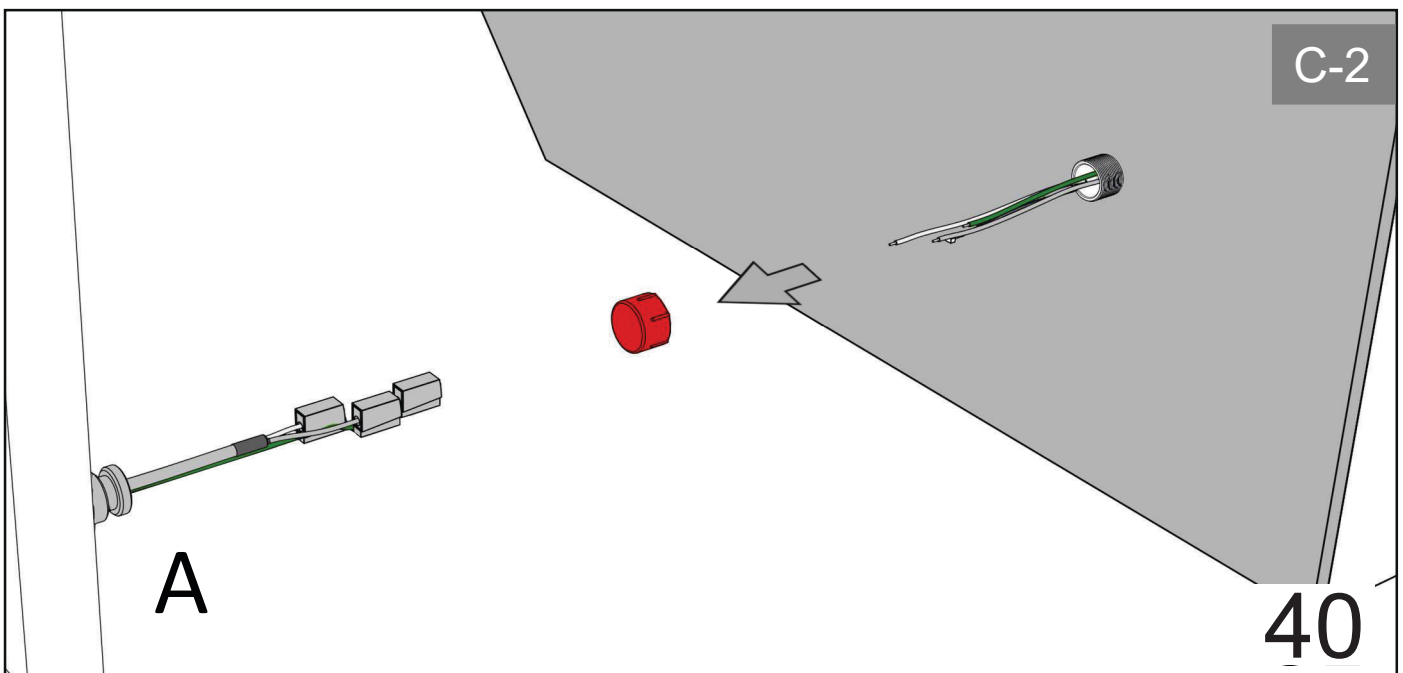
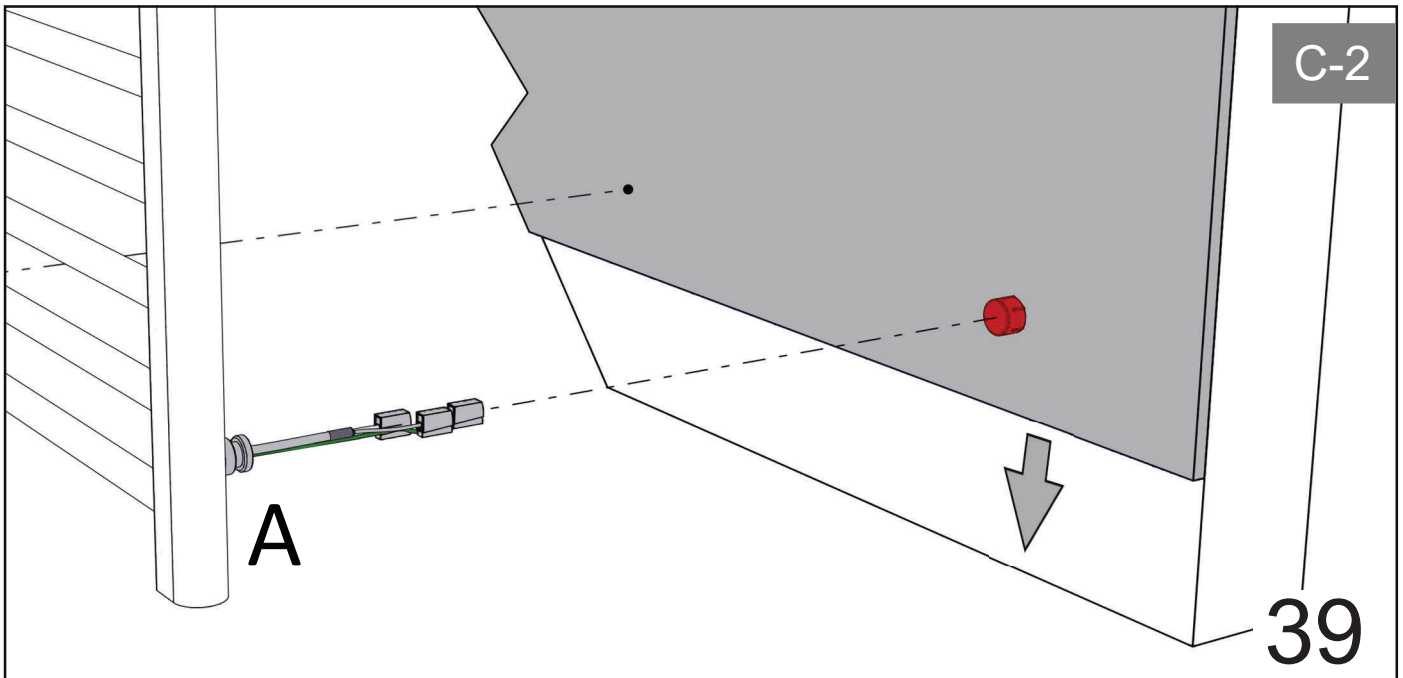
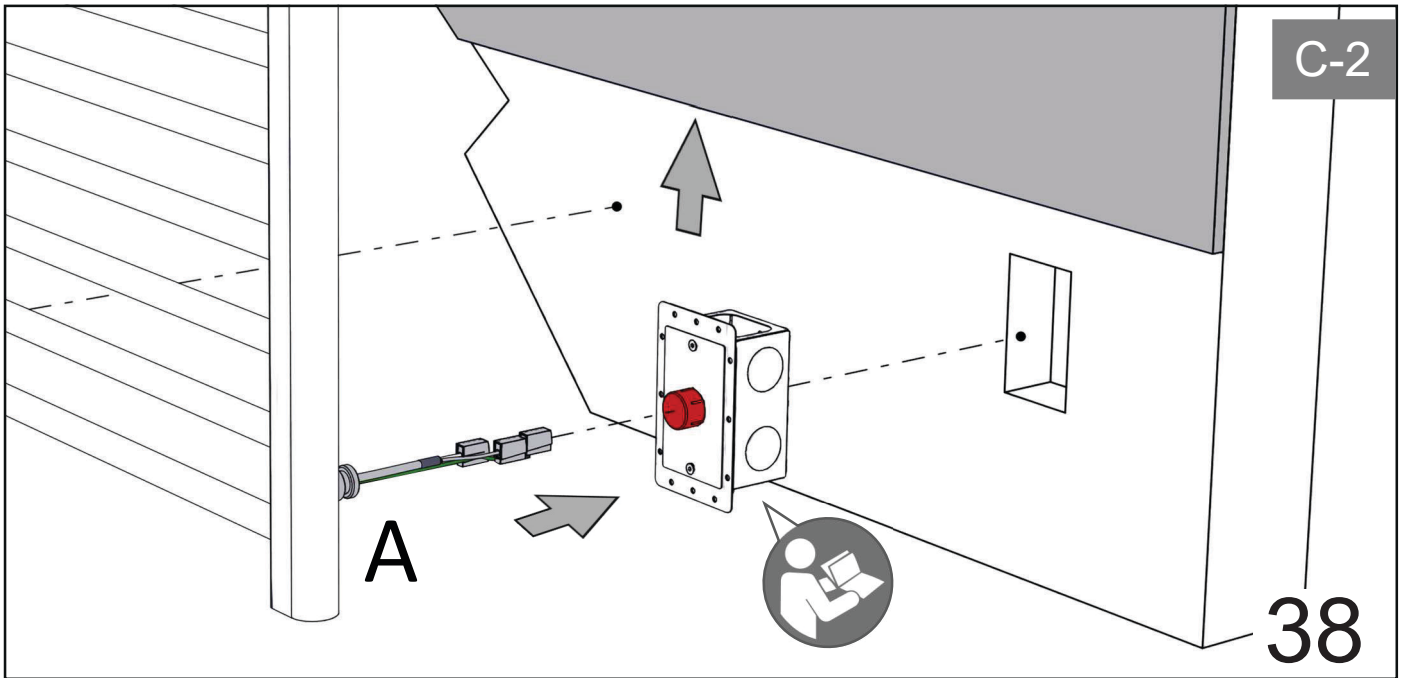


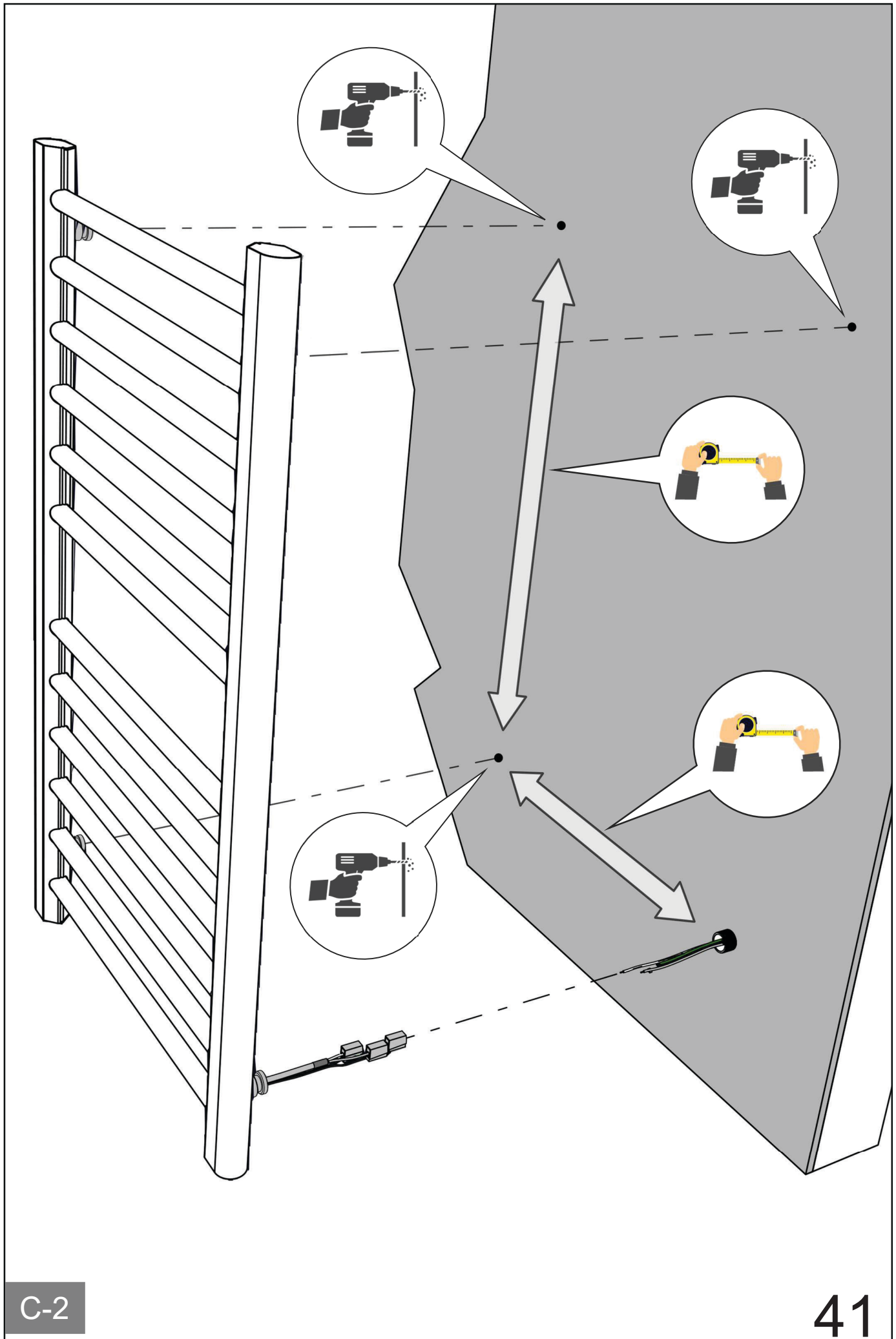
A

B

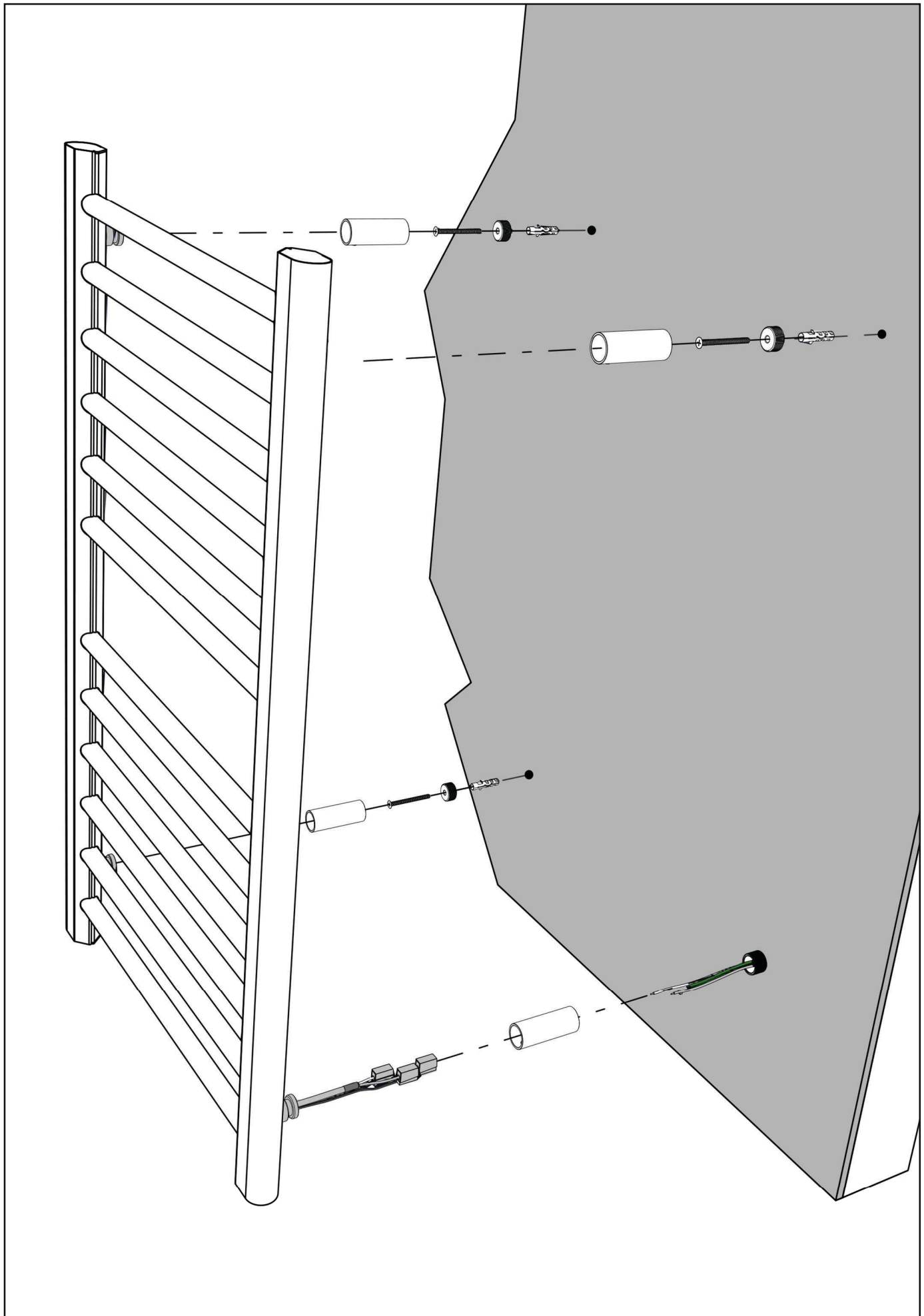


Before proceeding, please read the instructions for installation of the Amba Concealed Wallbox (ATW-CWB)





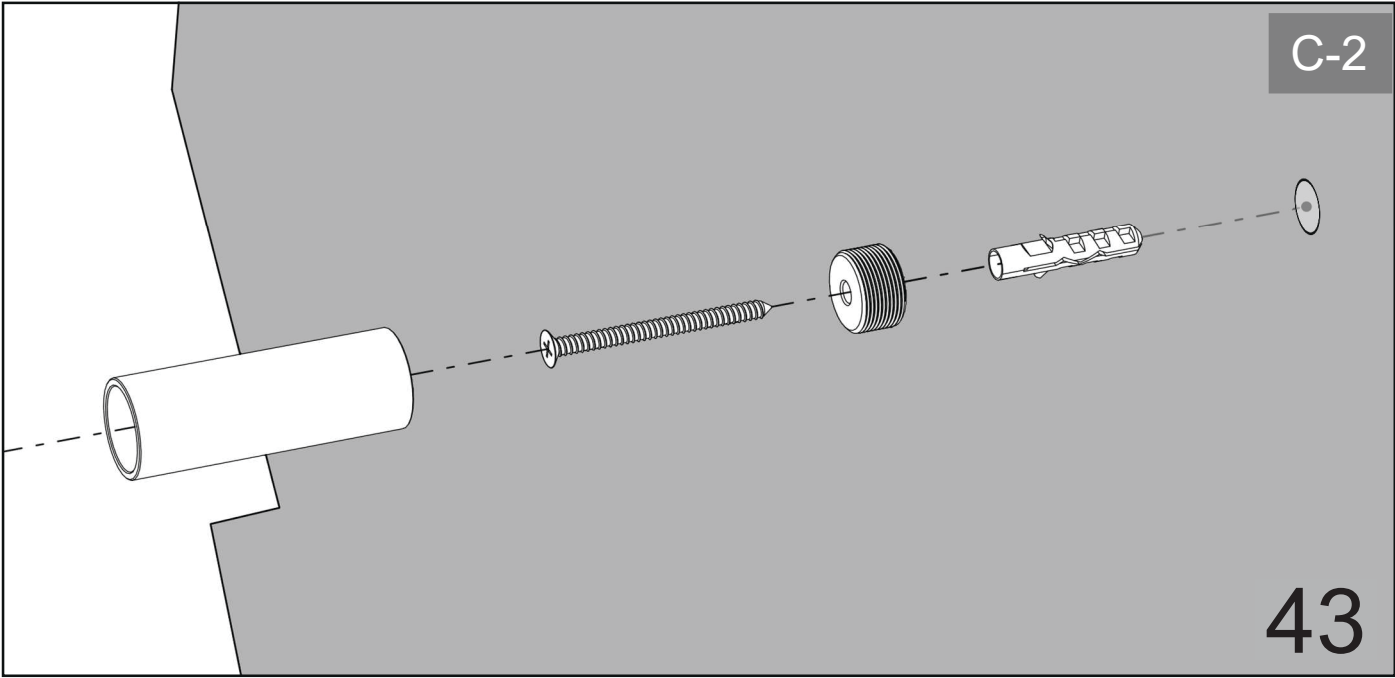
C-2



C-2

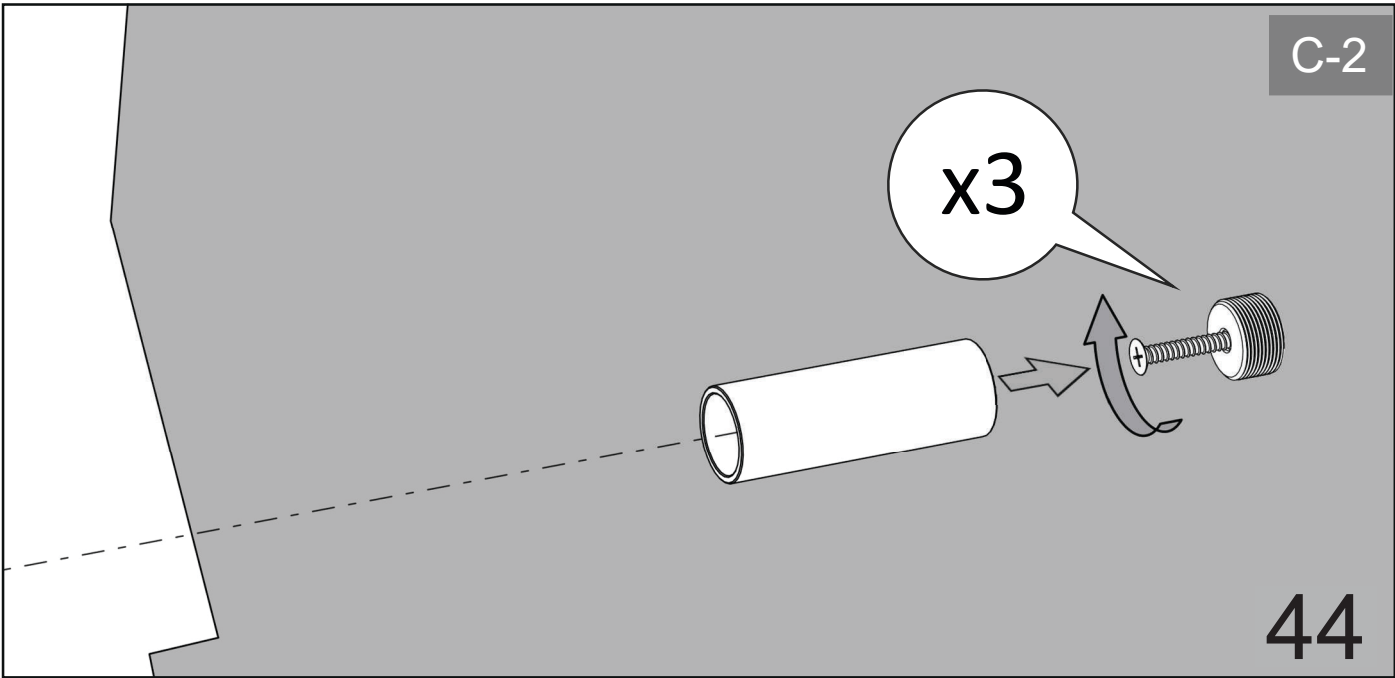
42

C-2



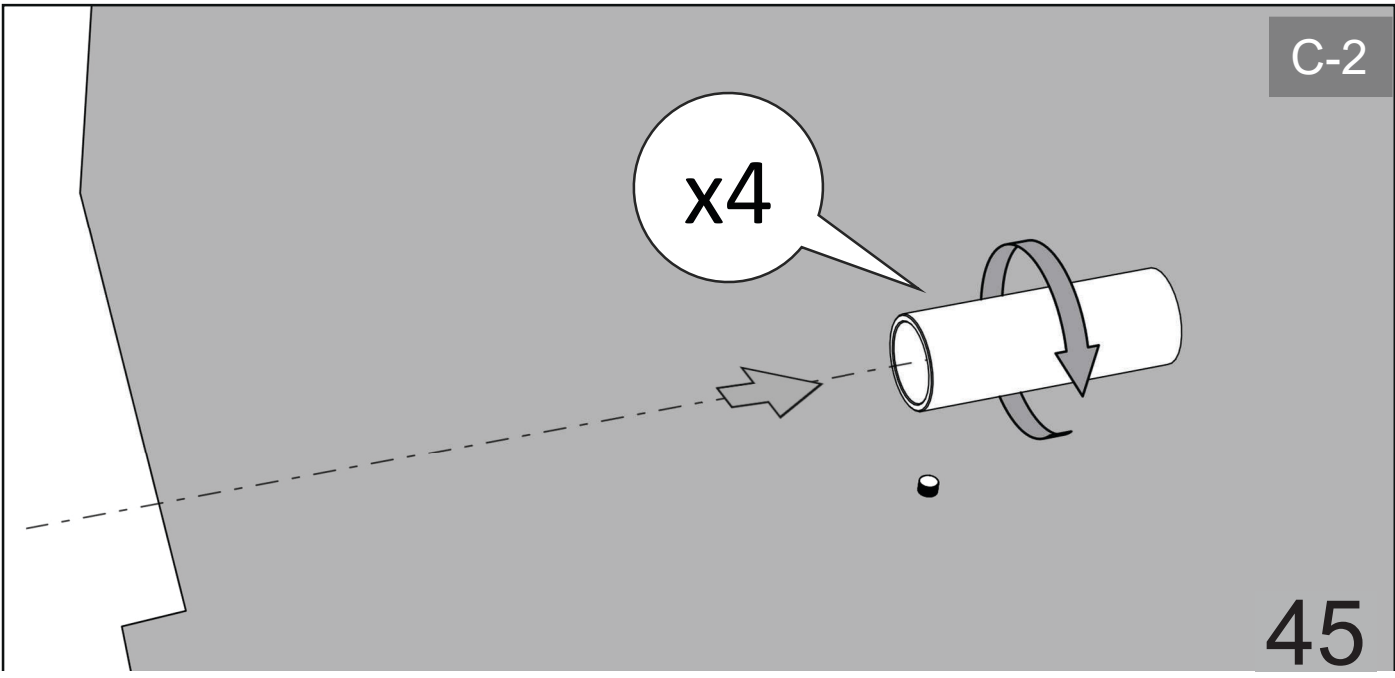
43

C-2

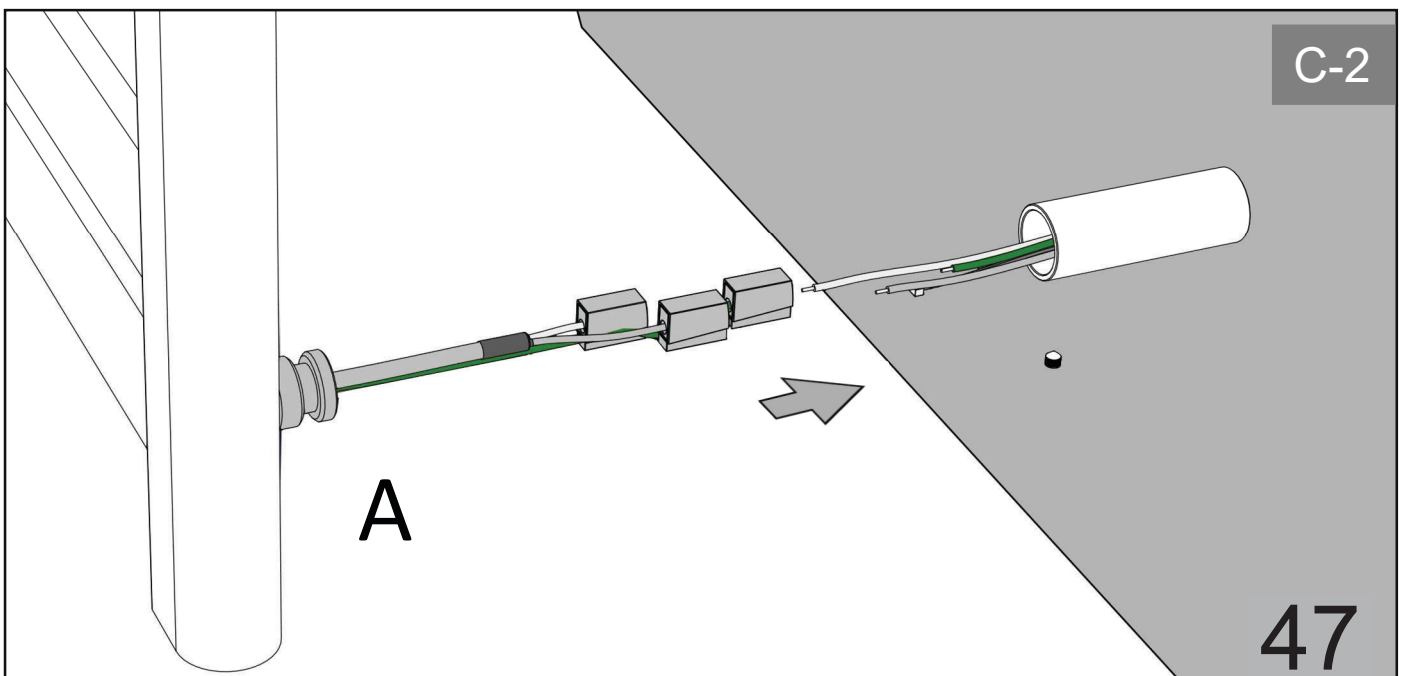
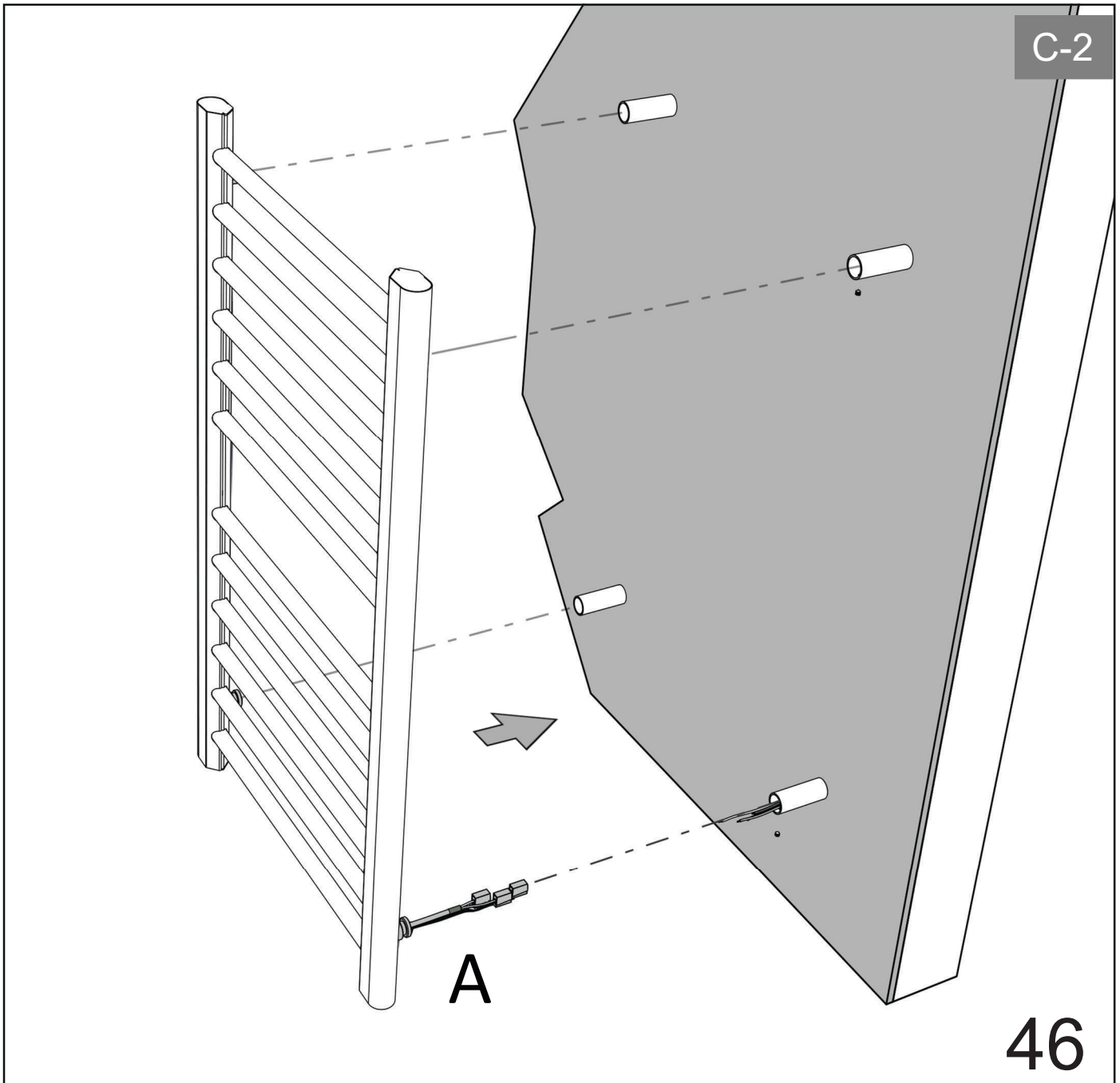


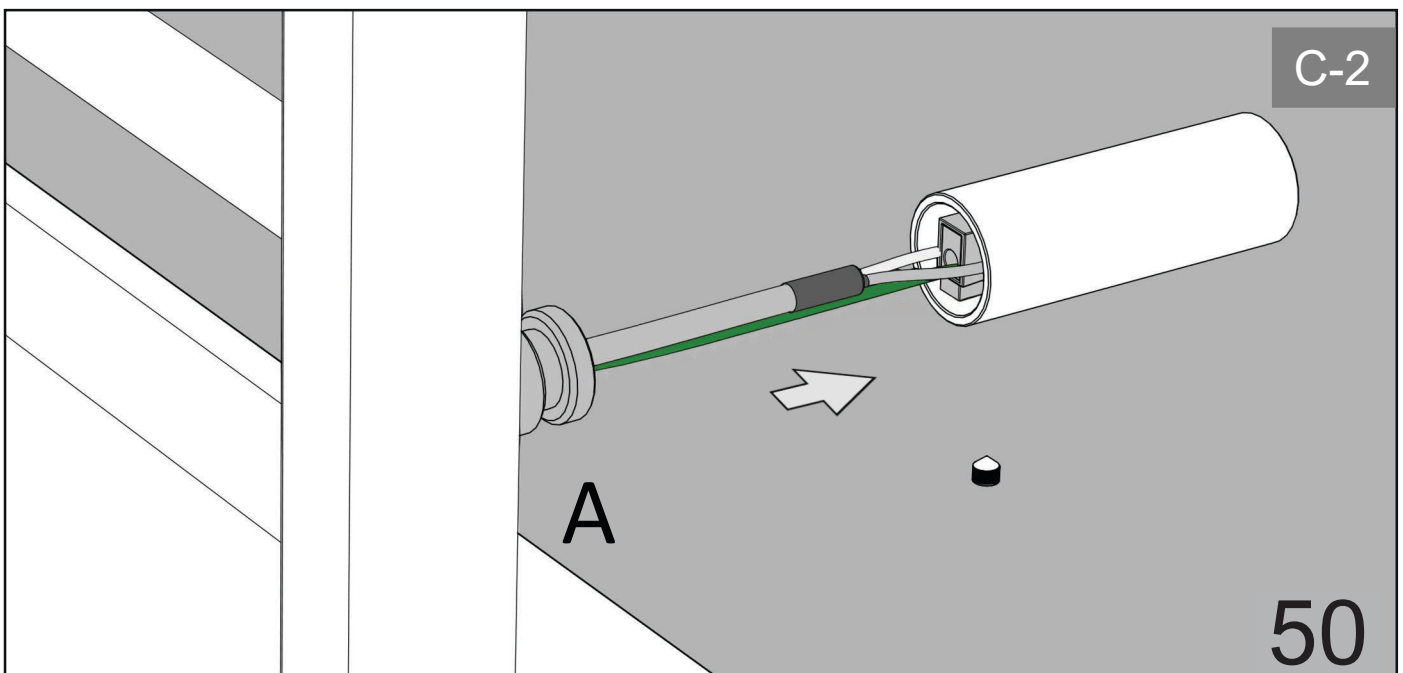
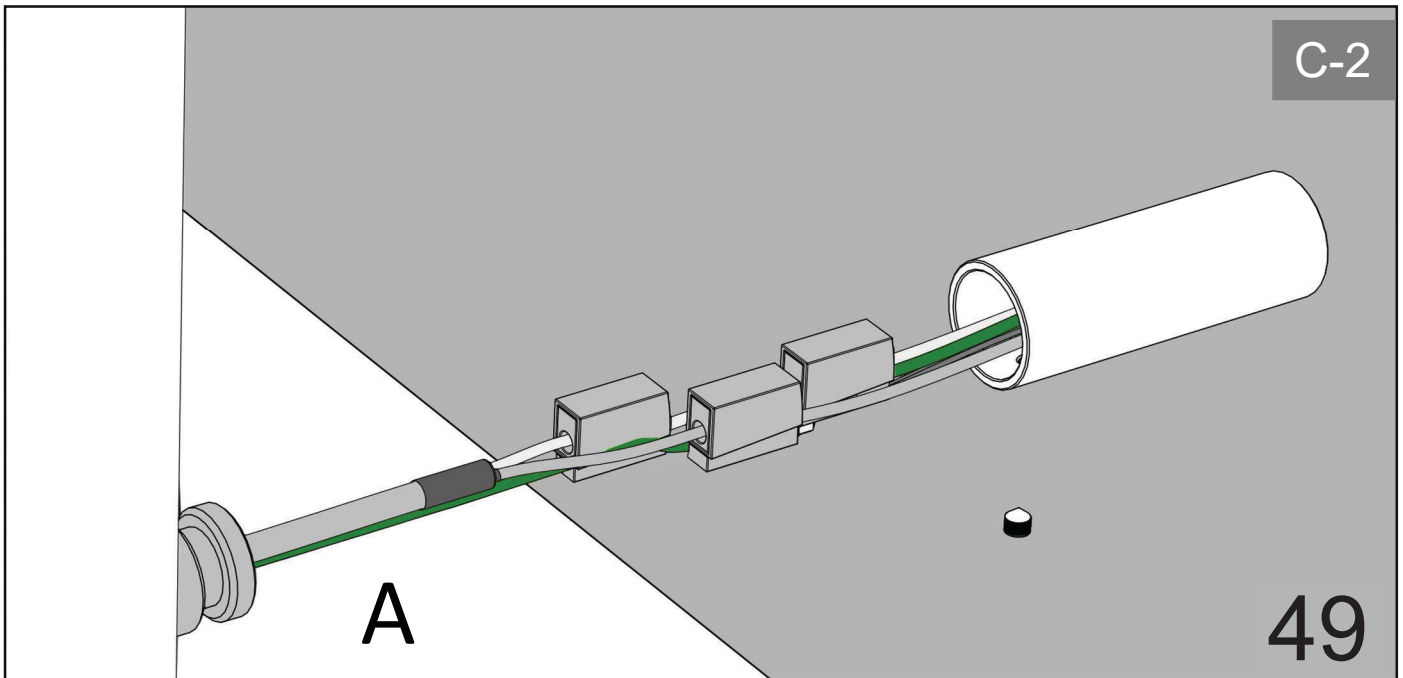
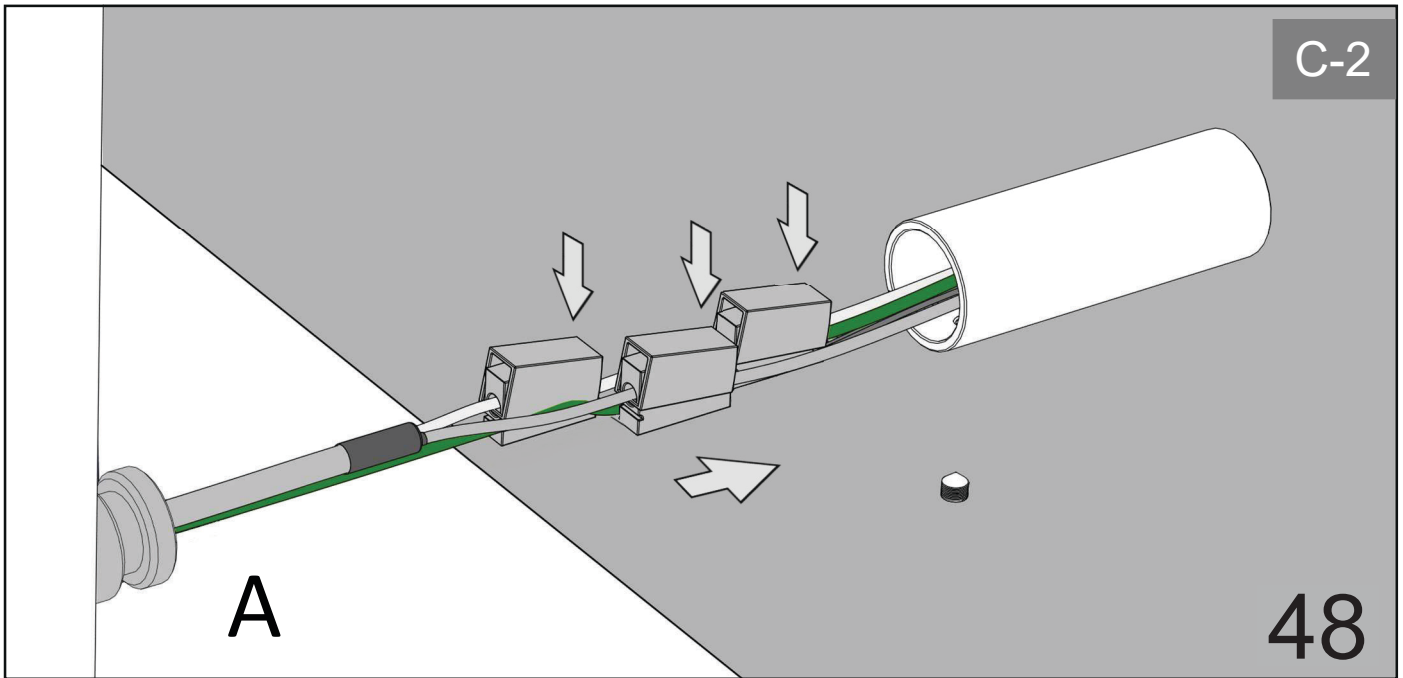
44

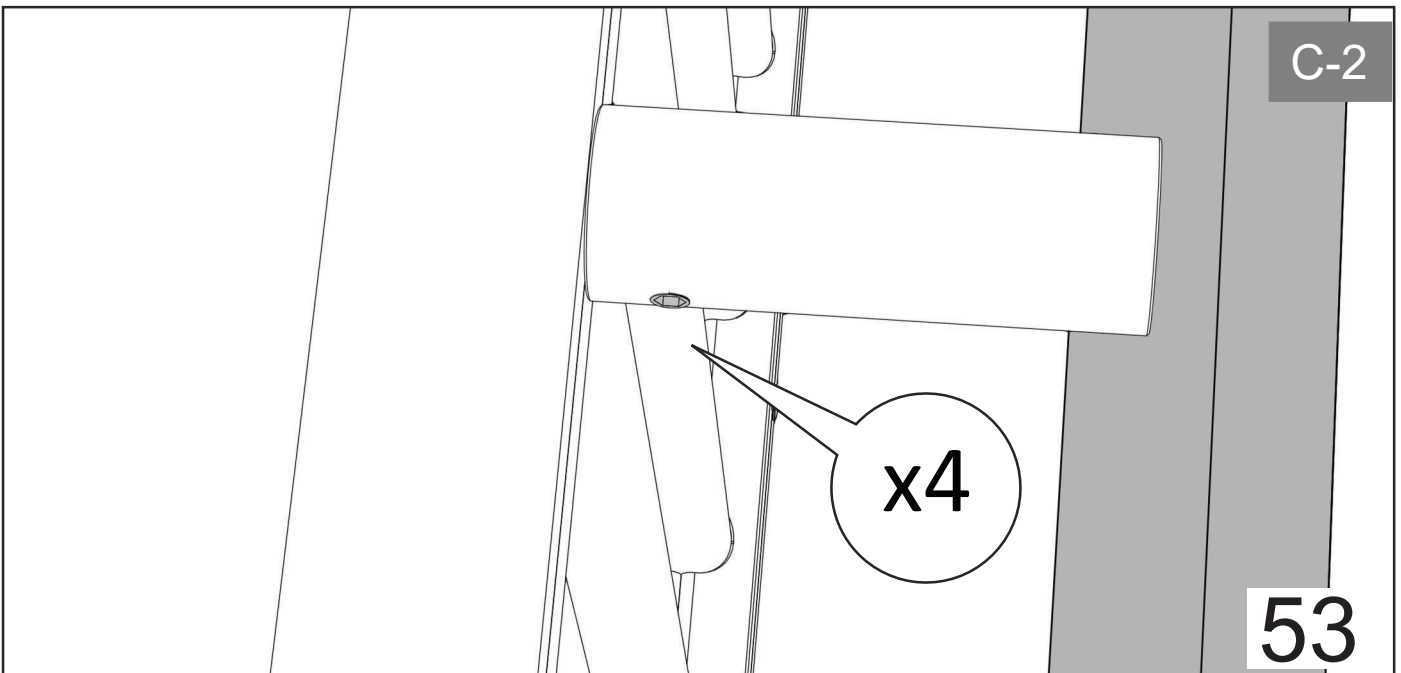
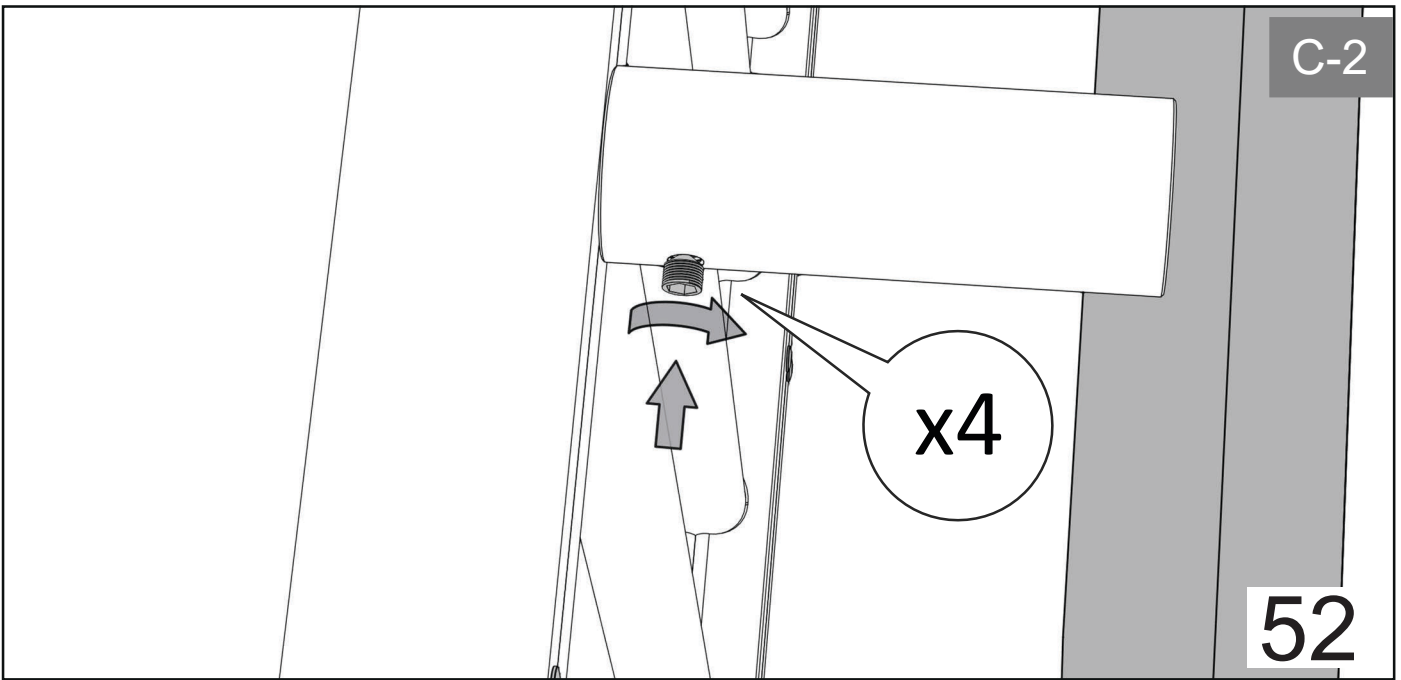
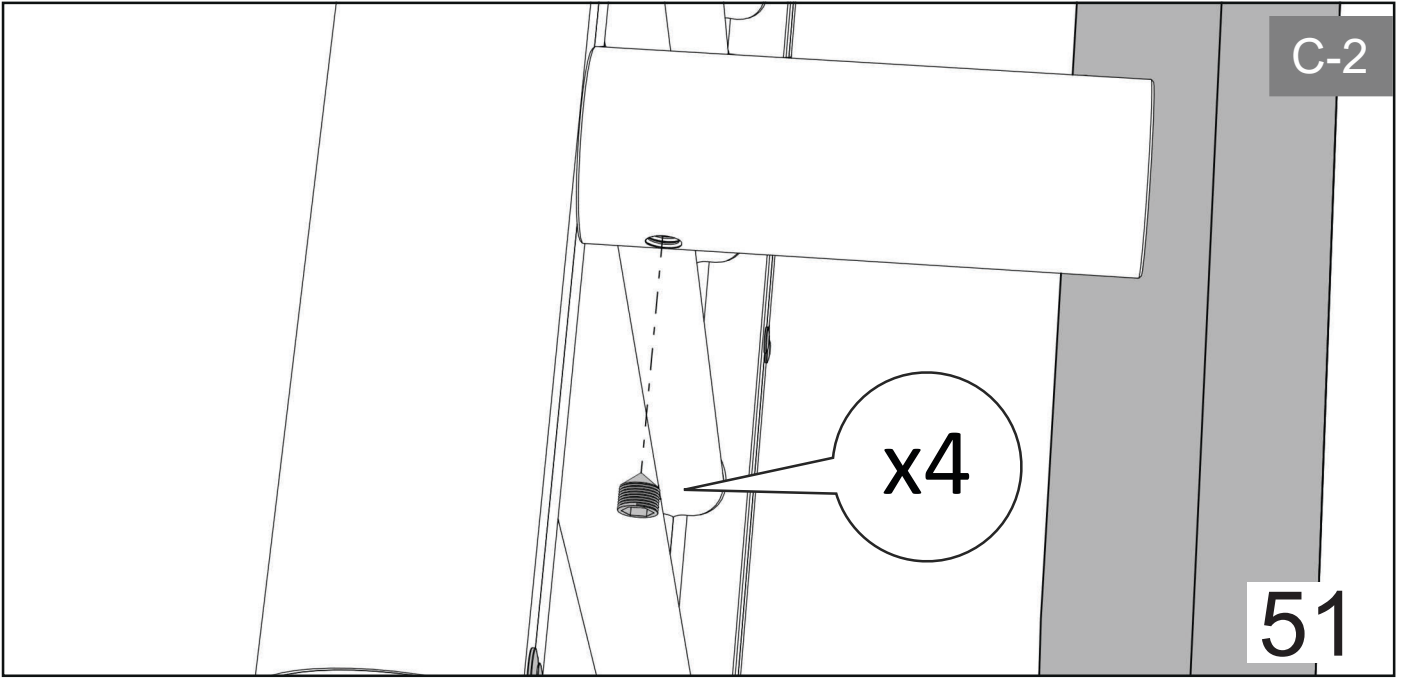
C-2

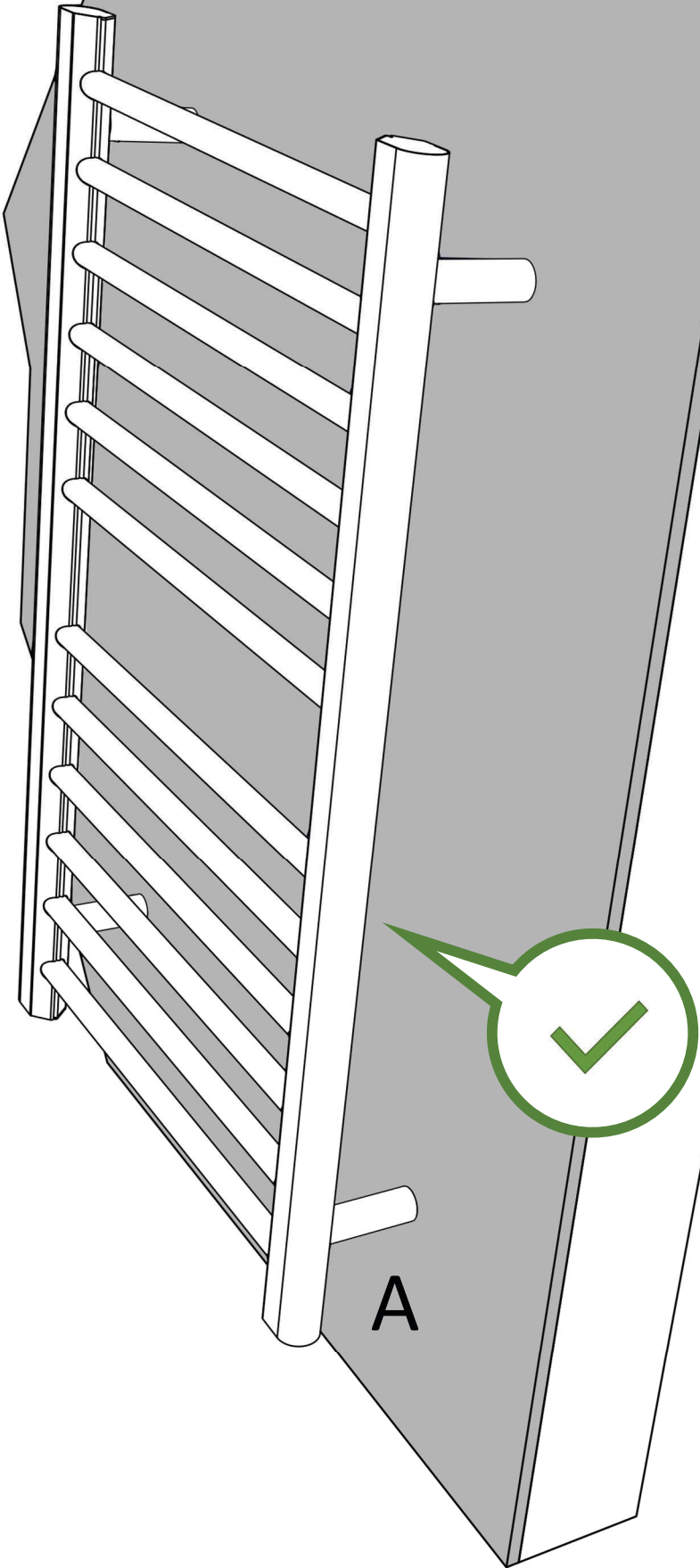


45









A

GENERAL CONDITIONS OF SALES

ART.1 – INTRODUCTION

Unless otherwise provided for by a written agreement between the parties, every sale of Emmesteel s.r.l. products (hereinafter referred to as "the seller") is governed by the following GENERAL TERMS OF SALE which constitute the entire contractual relationship between the parties. Any unilateral clause inserted by the buyer in their documents or correspondence, which is in contrast to or in addition to these general terms of sale or to special conditions agreed in writing by the seller, will be considered null and void.

ART.2 - ORDERS

sending an order implies the buyer's acceptance of these general conditions. Orders may be placed by telephone, e-mail, or website. Subsequently, the seller shall send an order confirmation form, which shall be verified and confirmed by the buyer by a signature for acceptance. If there is no further communications within 3 days, the order confirmation will be binding for the start of production. Requests for quotations do not constitute an executive purchase order. Changes or cancellations of orders are subject to the written approval of the seller and may entail additional costs. Orders with scheduled delivery may be cancelled or changed within the delivery period.

ART.3 - DELIVERY TERMS

If the delivery date is not be met for any reason beyond the seller's control or due to changes requested at a later date - see Art. 2 - by the buyer, the latter shall not be entitled to claim any compensation or cancellation of the order. The seller shall promptly notify the buyer of any change in the delivery date. The seller shall deliver the products to the buyer by means of trusted couriers and/or forwarding agents, or personally with its own agents, unless otherwise agreed with the buyer. Different delivery terms and conditions must be agreed in advance between the buyer and the seller and accepted by the seller by means of an order confirmation.

ART.4 - RISK TRANSFER AND TRANSPORT

Every sale is considered to be made EX-WORKS (Incoterms 2000) EX Seller's premises: when the goods are loaded or delivered directly or by carrier to the Buyer, the transfer of risk from the Seller to the Buyer is considered to be effective; the sale is considered net of carriage, insurance, packing, and other charges; the Seller is not liable for any damages caused during carriage, unloading at destination, and for all stages following departure from the Seller's premises; the goods travel at the exclusive risk of the Buyer even if the carrier is chosen and appointed by the Seller on behalf of the Buyer. All costs and risks relating to transport, including any costs of storage at the carrier's premises, shall be borne by the purchaser in the event of refusal to accept delivery by the carrier or if the purchaser is unavailable during working days during office hours. The integrity of the product sold is guaranteed by specific strong cardboard packaging for external security, and by cardboard wrap-around supports to prevent internal movement.

ART. 5. PRICES AND PAYMENTS

The price list is indicative and subject to change; the seller reserves the right to change prices and undertakes to inform the buyer promptly. All prices are in EURO and exclusive of VAT, which shall be applied at the rate in force at the time of invoicing and transport. The purchaser shall make payments according to the terms and conditions specified on the invoice. The invoice date shall not be earlier than the date of dispatch of the goods.

The seller reserves the right to request different payment terms, such as a letter of credit or advance payment. In the event of late payment, the purchaser shall be liable for default interest and, if applicable, legal costs incurred in the collection of the claim.

The seller also reserves the right to suspend or change the terms of payment if, in the seller's sole judgement, the buyer's solvency conditions deteriorate or fail. In the event that the buyer has not yet made payment despite advance payment agreements, the seller may make delivery of the goods conditional on payment of the unpaid invoice, without having to pay any compensation or damages.

The delivered goods shall remain the property of the seller until payment is completed. Otherwise, the seller reserves the right to take back the unpaid goods.

In case of overdraft: if the customer exceeds the commercial overdraft that may have been granted in writing by the Seller, the latter reserves the right to suspend the execution of all orders that exceed the value of the overdraft granted.

ART. 6. WARRANTY ON PRODUCTS

The seller warrants 5 years on all models for manufacturing defects in hydraulic tightness and corrosion, and 2 years for defects in electrical equipment attached to the products, from the date of registration shown on the nameplate affixed both on the product and on the outside of the packaging. The seller shall replace free of charge any products returned defective during the warranty period for defects in workmanship, material error, and hydraulic tightness.

Products are excluded from the warranty in the following cases defects resulting from improper transport, improper preservation/storage, improper installation, handling and use not in accordance with the technical manuals and operating instructions delivered with the products, electrical connection not carried out in accordance with the instructions in the manual, radiators not properly connected to domestic hot water (for the hydraulic version), repairs or tampering not authorized by the seller, installation by unqualified personnel, operating pressure higher than that indicated in the technical data, incorrect use of electrical equipment, non-domestic use, use other than that indicated in the instructions for use and installation of the radiators, improper cleaning carried out using unsuitable methods or materials, circumstances not attributable to manufacturing defects on the part of the seller, failure to comply with the rules of good workmanship.

The guarantee is limited to the repair or replacement of the defective product, excluding further charges for direct or indirect damages. In order to make use of the warranty, the purchaser must keep the "Certificate of Warranty" which clearly states the name of the seller, the identification details of the product and the date purchase.

These are the guarantee terms for Emmesteel products and no one is authorized to modify them or issue different versions, verbal or written. We hope we have provided you with the necessary information, and we are available for any further clarification you may require.

ART. 7. COMPLAINTS AND RETURNS

Any objection or claim shall not entitle the buyer to suspend or delay any payment due. The buyer shall not raise any objections or bring any actions against the seller until any outstanding payment, including payment for the goods complained of, has been settled. Procedure for returns: The buyer must promptly notify the seller of the complaint, who will verify the extent of the problem. The seller will provide technical support and services necessary to solve the problem without the need to replace or repair the product sold. In the event of manufacturing defect, material error or hydraulic seal, the return procedure will be applied. The purchaser shall fill in the "Certificate of Warranty" form indicating the defect found on the product and return the product to the seller with original packaging or, if this is not possible, with secure packaging. Non-original packaging will be replaced with original packaging and credited to the buyer by invoice. It is recommended to keep the original packaging until the condition of the product has been verified. The seller shall promptly inform the purchaser of the correspondence between the notified defects and those found. Any damage not corresponding to the buyer's notification shall be credited to the buyer by invoice.

CERTIFICATO DI GARANZIA

QUESTO CERTIFICATO NON DEVE ESSERE SPEDITO PER LA CONVALIDA. E' VALIDO ED OPERANTE SOLO SE CONSERVATO ASSIEME ALLA RICEVUTA FISCALE O ALTRO DOCUMENTO OBBLIGATORIO.

WARRANTY CERTIFICATE

THIS CERTIFICATE DOES NOT HAVE TO BE SENT FOR VALIDATION. IT IS VALID AND OPERATIVE ONLY IF KEPT TOGETHER WITH THE TAX RECEIPT OR OTHER COMPULSORY DOCUMENT.

CERTIFICAT DE GARANTIE

CE CERTIFICAT NE DOIT PAS ÊTRE ENVOYÉ POUR LA CONFIRMATION. IL EST VALID ET EFFECTIF SEULEMENT S'IL EST CONSERVE AVEC UNE REÇUFISCAL OU UN AUTRE DOCUMENT EXIGÉ.

GARANTIEZERTIFIKAT

DIESE BESCHEINIGUNG MUSS NICHT ZUR VALIDIERUNG EINGESANDT WERDEN. IST NUR GÜLTIG UND WIRKSAM, WENN SIE ZUSAMMEN MIT DEM STEUERBELEG ODER EINEM ANDEREN OBLIGATORISCHEN DOKUMENT AUFBEWAHRT WIRD.

ГАРАНТИЙНЫЙ СЕРТИФИКАТ

ЭТО УДОСТОВЕРЕНИЕ НЕ ДОЛЖНО БЫТЬ ОТПРАВЛЕНО НА ПОДТВЕРЖДЕНИЕ. ОНО ДЕЙСТВИТЕЛЬНО ТОЛЬКО ПРИ УСЛОВИИ ХРАНЕНИЯ ВМЕСТЕ С ФИСКАЛЬНЫМ ЧЕКОМ ИЛИ ИНЫМ ОБЯЗАТЕЛЬНЫМ ДОКУМЕНТОМ.

CONTROLLO DI QUALITA'
QUALITY INSPECTION
INSPECTION DE QUALITÉ
QUALITÄTSKONTROLLE
КОНТРОЛЬ КАЧЕСТВА



DATI TECNICI
TECHNICAL DATA
DONNÉS TECHNIQUES
TECHNISCHE DATEN
ТЕХНИЧЕСКИЕ ДАННЫЕ