

# emmesteel®

**ATW-TDHC-P**  
POLISHED STAINLESS  
STEEL

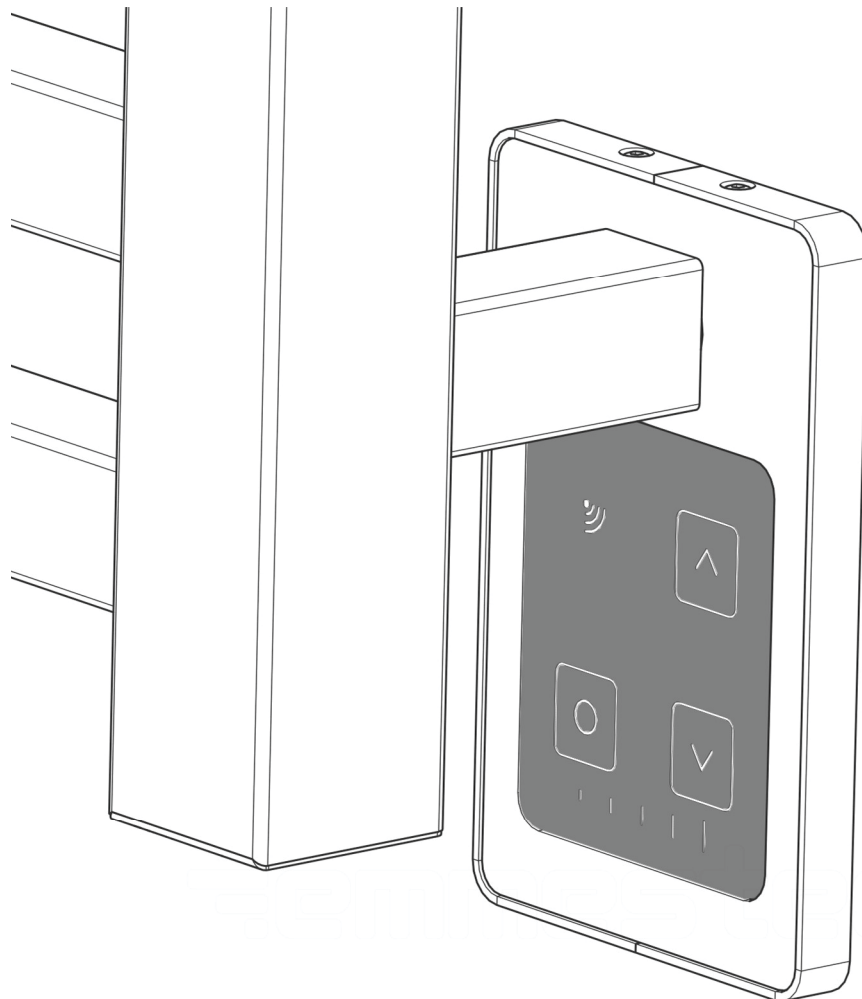
**ATW-TDHC-B**  
BRUSHED STAINLESS  
STEEL

**ATW-TDHC-MB**  
MATTE BLACK

**ATW-TDHC-W**  
WHITE

**ATW-TDHC-SB**  
SATIN BRASS

**ATW-TDHC-BB**  
BRUSHED BRONZE



## DHC touch

### INSTALLATION INSTRUCTIONS

350.0.03.000

ENGLISH



VIDEO INSTRUCTIONS

# ENGLISH

---

# IMPORTANT INSTRUCTIONS

## SAFETY PRECAUTIONS:

 READ ALL INSTRUCTIONS BEFORE INSTALLING OR USING THE ELECTRICAL JUNCTION BOX.

- When using electrical appliances, it is essential to always follow basic precautions to reduce the risk of fire, electric shock, and personal injury
- Use the electrical junction box only as indicated in this manual. Any other use not recommended by the manufacturer may cause fire, electric shock or personal injury
- Upon receipt of the goods, check that the packaging is intact. If not, contact the seller immediately
- Check the product carefully after unpacking it. Do not install the product if it has been damaged during transportation
- This product is designed for indoor use and to be installed flush in walls, and is intended exclusively for connecting radiators or towel heaters from the EMMESTEEL range.
- Electrical procedures and connections must be made in accordance with local and national regulations in the jurisdiction in question.
- The user shall be responsible for having the product installed by a qualified technician
- Install the electrical junction box at an adequate distance from water sources (at least 600 mm - 2 feet - 23 ½ inches, as required by regulations) to prevent electric shock and damage to the connected radiator.
- Installation must be done at a minimum distance from the junction box connection point of at least 600 mm (23 ½ inches).
- CAUTION: The product should not be installed in close proximity to an electrical outlet.
- Do not install the electrical junction box near combustibles, paint, or other flammable liquid.
- The electrical junction box allows the appliance (radiator or towel warmer) to be connected to the DHC device (power controller) remotely from the product, making the connections invisible. It is essential to carefully read the instructions for installation and electrical connection of the DHC device and also of the appliance itself before making connections.
- Incorrect electrical connection to the main system line will cause sparks, risk of injury, electric shock, fire, burns or damage to the equipment.
- Before proceeding with the electrical connection, make sure that the main power supply is turned off.

## KEEP THE INSTRUCTIONS

# OPERATING INSTRUCTIONS

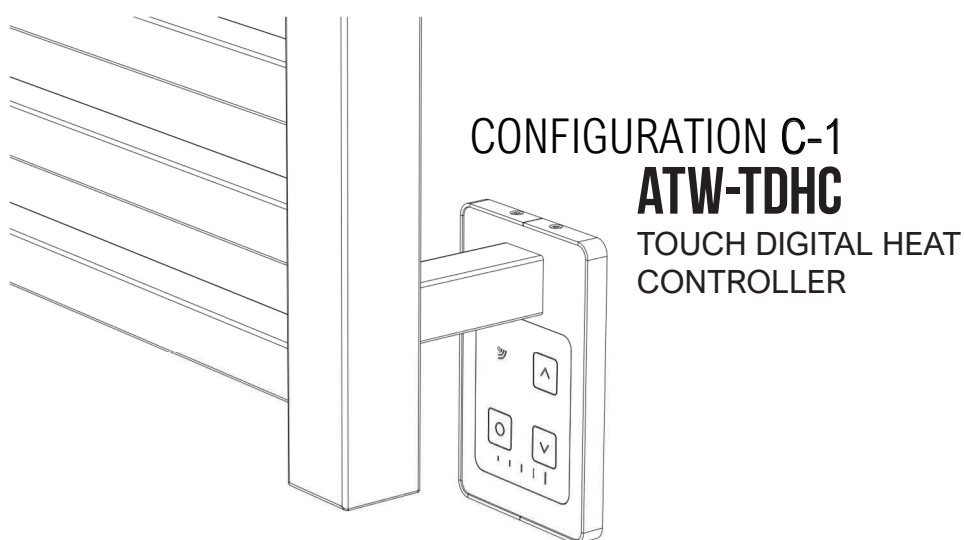
**!** MAKE SURE YOU HAVE READ ALL THE INSTRUCTIONS AND WARNINGS IN THIS MANUAL BEFORE CARRYING OUT INSTALLATION WORK.

- This electronic device must only be used indoors, fixed to the wall and must be installed and connected to the power supply by qualified personnel.
- The DHC device (power regulator) is designed and certified to be used only with EMMESTEEL radiators and towel heaters.

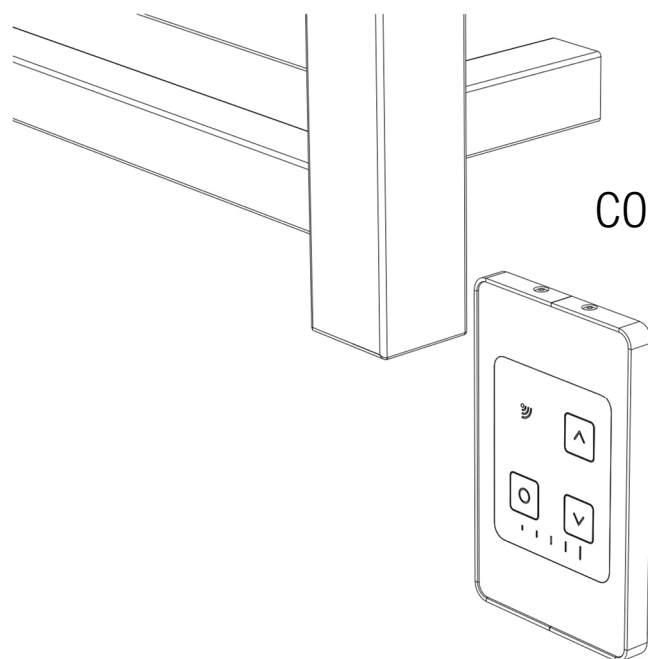
## TECHNOLOGY AND CONFIGURATIONS

- All our products use patented technologies, which are applied both in the devices themselves and in the control device and electrical connection system.
- The power regulator is an innovative control device that electronically manages the flow of energy from the power line to the appliance using inverter technology.
- This device is able to electronically regulate and limit the flow of energy according to desired levels or temperature, avoiding any waste of unused energy.
- The controller handles a load of 1200 watts at different voltages between 100V and 240V. The recessed wall arrangement is emblematic of high electrical performance
- The versatile device in the connections can be electrically connected to one of several wall mounting points, which are designed to integrate the electrical connection that will be connected to the DHC device (power controller), thus making the connection invisible.
- The control device (DHC) is designed to be flush-mounted in walls, and it is possible to connect it directly to the luminaire (configuration-1) or to position it remotely from the product (configuration-2).
- To connect the unit to the DHC device in a remote position (configuration 2), the electrical junction box must be used.

**!** BE SURE TO READ THE MANUAL FOR THE DEVICE AND THE ELECTRICAL JUNCTION BOX BEFORE BEGINNING INSTALLATION OF THE DHC DEVICE (POWER CONTROLLER).



**emmesteel**<sup>®</sup>



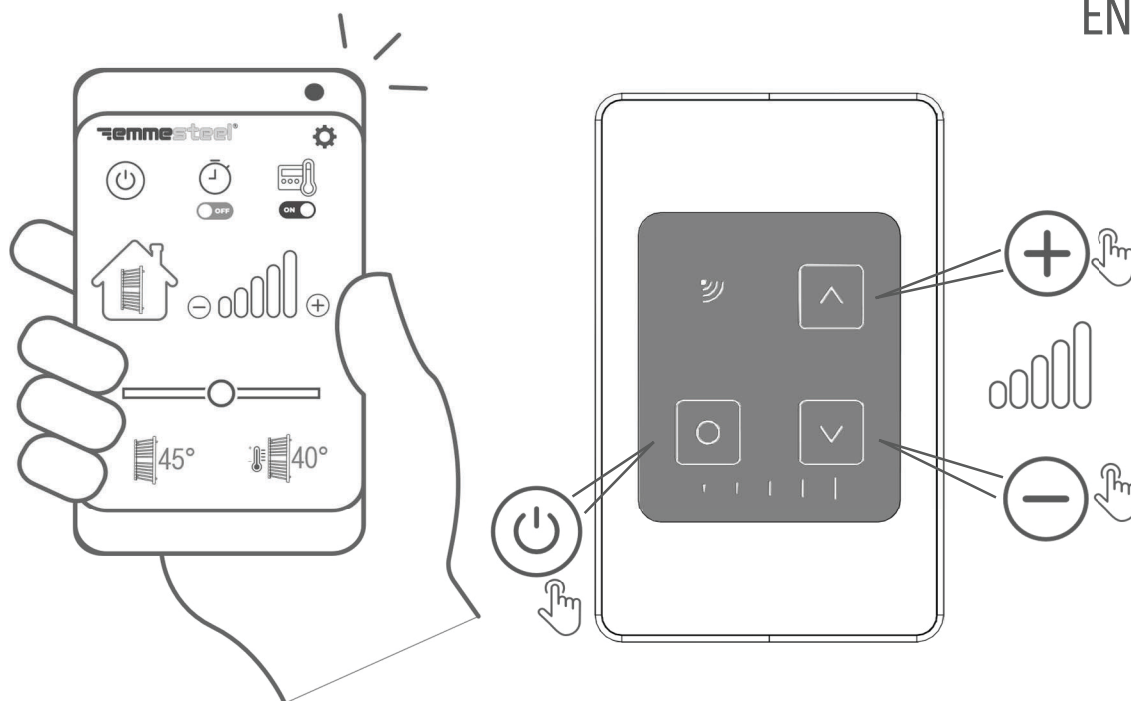
**CONFIGURATION C-2**  
**ATW-TDHCR**  
 REMOTELY-WIRED  
 TOUCH DIGITAL HEAT  
 CONTROLLER

### VERSATILE INSTALLATION

- The power controller is a versatile device for recessed installation in the wall, designed to overcome all the variables that may be encountered during installation.
- The device, in its two versions, uses a metal flush-mounted box that can be fixed in all directions at will on any type of wall, be it wood, plasterboard or masonry.
- The flexibility of orientation accommodates the versatility of the device's connections while also meeting aesthetic requirements.
- The backlit touch keyboard has a minimalist and intuitive design that maintains a sense of function regardless of the orientation of the device.

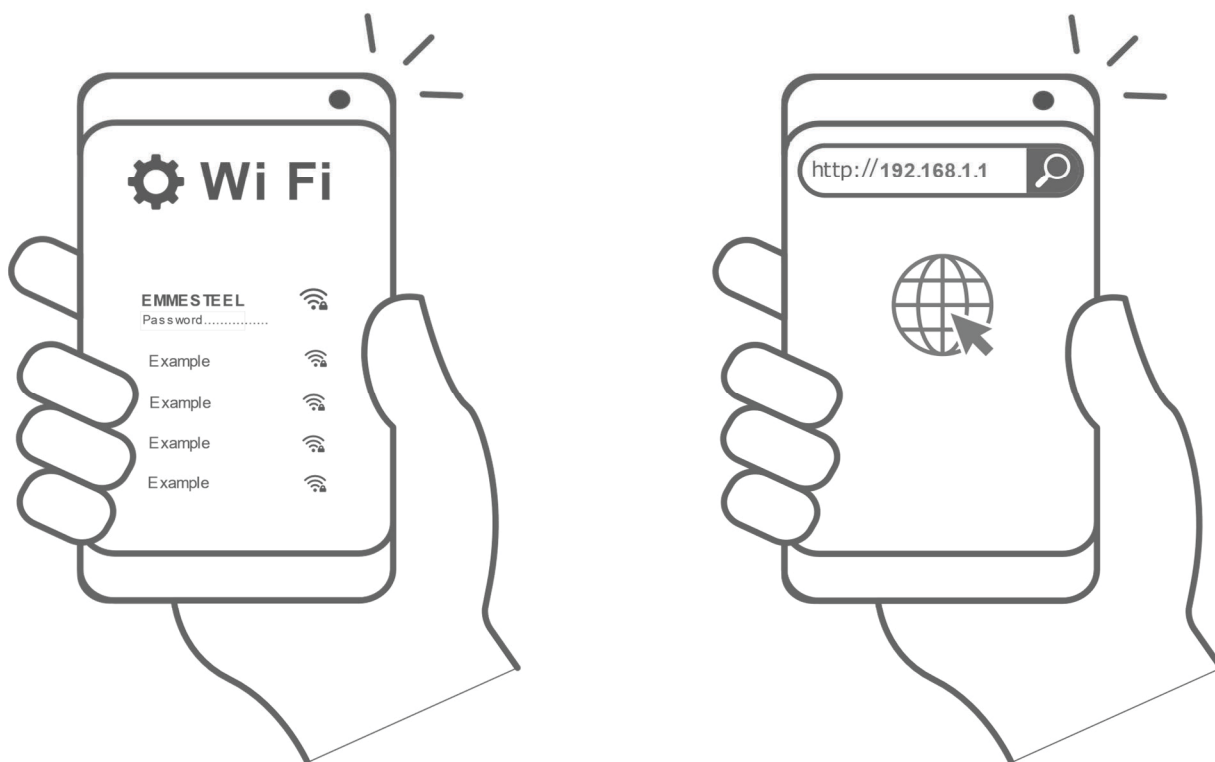
### FUNCTIONS AND WEB APPLICATION - SERVER

- The design of the device is minimal, as are the functions that can be performed directly from the backlit touch keyboard. These include the action of switching the device on and off, as well as selecting the desired power from the 5 available levels.
- The DHC device is integrated with the web-server application that allows you to use the TIMER function, connect and control external devices such as THERMOSTATS or room CHRONOTHERMOSTATS, customise your appliance and, above all, use the innovative THERMOREGULATION system.
- To use the device's web server application, you do not need to download anything from the Internet. It is integrated into the device itself and works via the local network, allowing direct connection with your smartphone or PC.
- The connection between device and application is made automatically or manually, following a simple procedure, after which the screen with the device control APP will appear.
- The control APP becomes to all intents and purposes an extension of the keyboard, allowing all commands to be comfortably executed, provided you are connected to the local network.



## WEB APP - SERVER CONNECTION

- IMPORTANT! Connection with the app is only possible when the device is correctly installed and functioning as indicated in these instructions.
- Access is from the "SETTINGS" of your smartphone or PC. You connect to the Wi-Fi network and select the network called "EMMESTEEL" with its serial number (the network name may vary depending on the factory settings).
- Once the network has been selected, it is necessary to enter the access password and wait a few seconds. The app with the relevant functions will appear automatically.
- If the app does not appear automatically, you can check the address of the radiator's web server by opening the properties of the network called 'emmetsteel', which generally responds to the address <http://192.168.1.1> in your browser.



# FUNCTIONS



BEFORE USING THE FUNCTIONS, IT IS NECESSARY TO CONSULT THE INSTRUCTIONS ON THE ELECTRICAL CONNECTION OF THE DEVICE.

- To connect and control an external device such as a THERMOSTAT or CHRONOTHERMOSTAT, it is necessary to wire it directly to the DHC device.
- The THERMOREGULATION function is optional and, if included, requires specific factory wiring in the device's electrical connections, in addition to the preset activation in the DHC device.
- The web server application includes or excludes the visibility of the THERMOREGULATION function depending on whether it is included or not.





## TIMER

- The TIMER is an application function that does not require an electrical connection to the device to function. This function allows you to set a single time cycle, with a maximum duration of 24 hours, during which the device can be active, using a countdown timer.
- To activate it, simply set the desired time cycle duration for the device and enable the TIMER switch, which shows a green light on.
- When the TIMER is active, it is possible to change the operating levels of the device, adjust the temperature (if the THERMOREGULATION function is active) and switch the device off before the set time cycle is finished.
- To reactivate the device after the set time cycle has ended or has been interrupted early, it will be necessary to do this manually.



## PERSONALISING DHC touch

- In the main panel of the application there is a settings icon that allows you to access the customisation page of your DHC touch device.
- You can rename your device and set a new password containing at least 8 characters. Once the changes are saved, the network name to access the application will be updated with the new credentials set. As a result, each device will be associated with a different network and easily recognised by the user to access and make settings.



**ACCESS POINT**

Username

Password

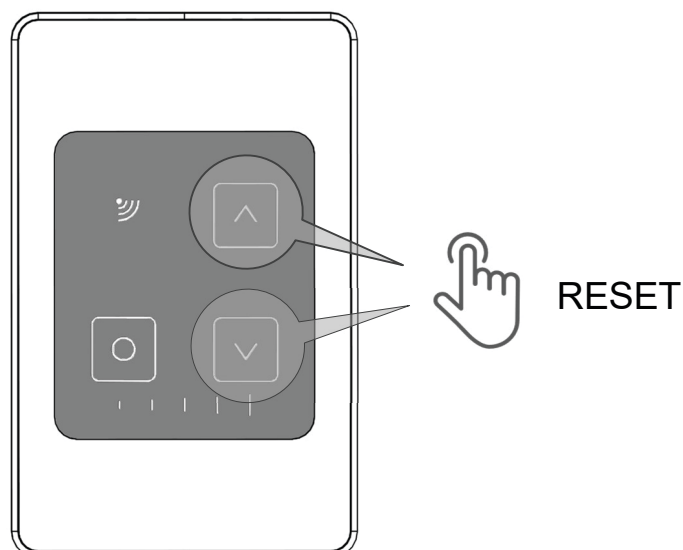
**SAVE**





## FORGOTTEN PASSWORD? .....RESET

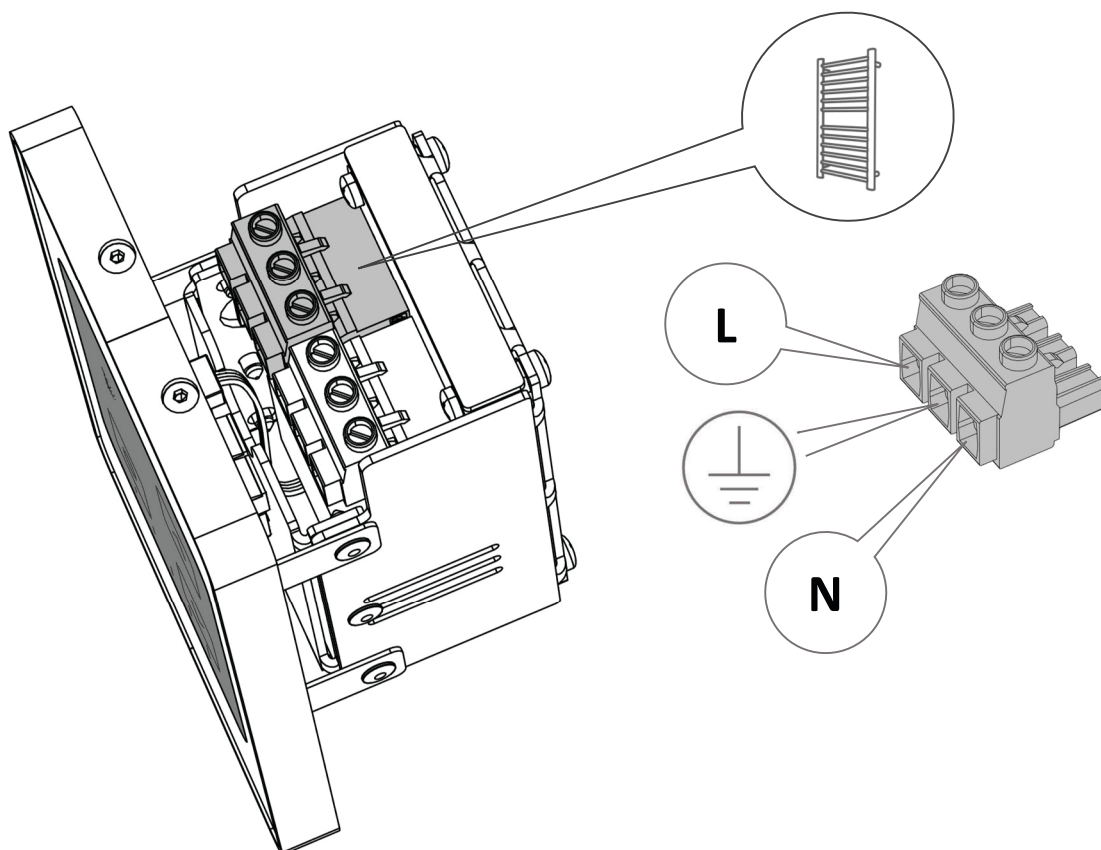
- The web-server application connects to the device using the local network. The access parameters are factory-set directly in the software and indicated in the corresponding instruction manual (serial number, network name and access password).
- If the credentials set when customising the device are forgotten, they cannot be recovered as they are stored in the local network.
- To regain access to the application, you must reset the device to its factory settings and then follow the instructions in the "WEB-SERVER APP CONNECTION" chapter of this manual.
- To perform a device RESET it is necessary to simultaneously press the UP and DOWN buttons on the DHC touch keypad for a few seconds until the ON-OFF button starts flashing. At that point you can release the buttons and the reset will be completed.

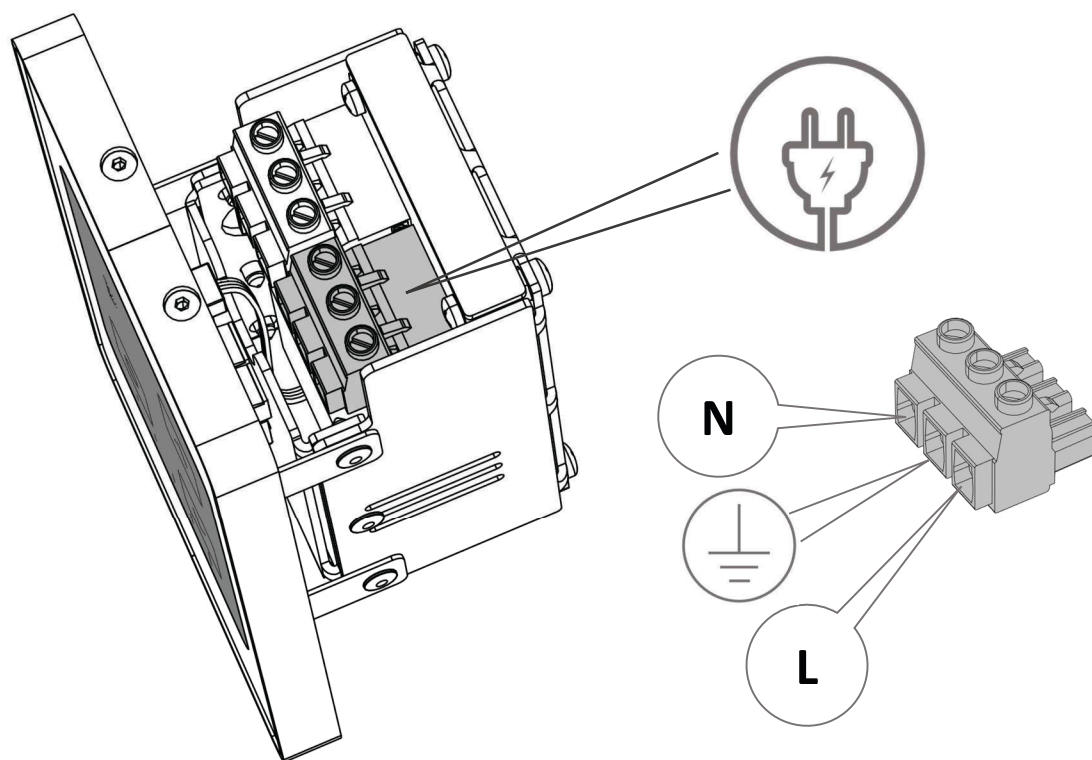


# ELECTRICAL CONNECTIONS

**WIRING PROCEDURES AND CONNECTIONS MUST COMPLY WITH THE RELEVANT NATIONAL AND LOCAL CODES.**

- Before commencing electrical connection procedures, ensure that you have read the "IMPORTANT INSTRUCTIONS" in this manual as well as the device instructions.
- The connectors on the DHC touch device are used to ensure correct electrical connection and to prevent short circuits or damage to the device. It is recommended to use electrical conductors wired with appropriate ferrules to ensure a secure and stable connection.
- In the electrical connection of the device, the earth conductor is identified with a specific colour (which may vary from country to country), while the phase (L) and neutral (N) conductors have the same colour.
- During the electrical connection phase, the inversion of the L-N poles does not affect the operation of the appliance.
- It is essential to correctly connect the earth conductor of the appliance to the earth conductor of the electrical installation. This connection serves to provide additional protection in the event of a fault or malfunction of the appliance by creating a discharge path for excess electric current to earth.





## EXTERNAL DEVICE CONNECTION

- The DHC touch device is equipped with two signal connectors that are used to connect an "EXTERNAL DEVICE" such as a THERMOSTAT or a room CHRONOTHERMOSTAT, or to connect the temperature sensor that allows DHC to operate in "THERMOREGULATION" mode.
- In order to connect an "EXTERNAL DEVICE" it is necessary to use two potential-free signal wires and fix them in the corresponding electrical connector.
- Wiring procedures must be handled by qualified personnel who can correctly handle all factors relating to the positioning, direction and spacing of the cables.
- The connector inputs identified with "I1 and I2" are not polarised and can be connected either way.
- Failure to connect the 'EXTERNAL DEVICE' does not affect DHC operation but renders the function managed by the DHC application unusable.

## THERMOREGULATION CONNECTION

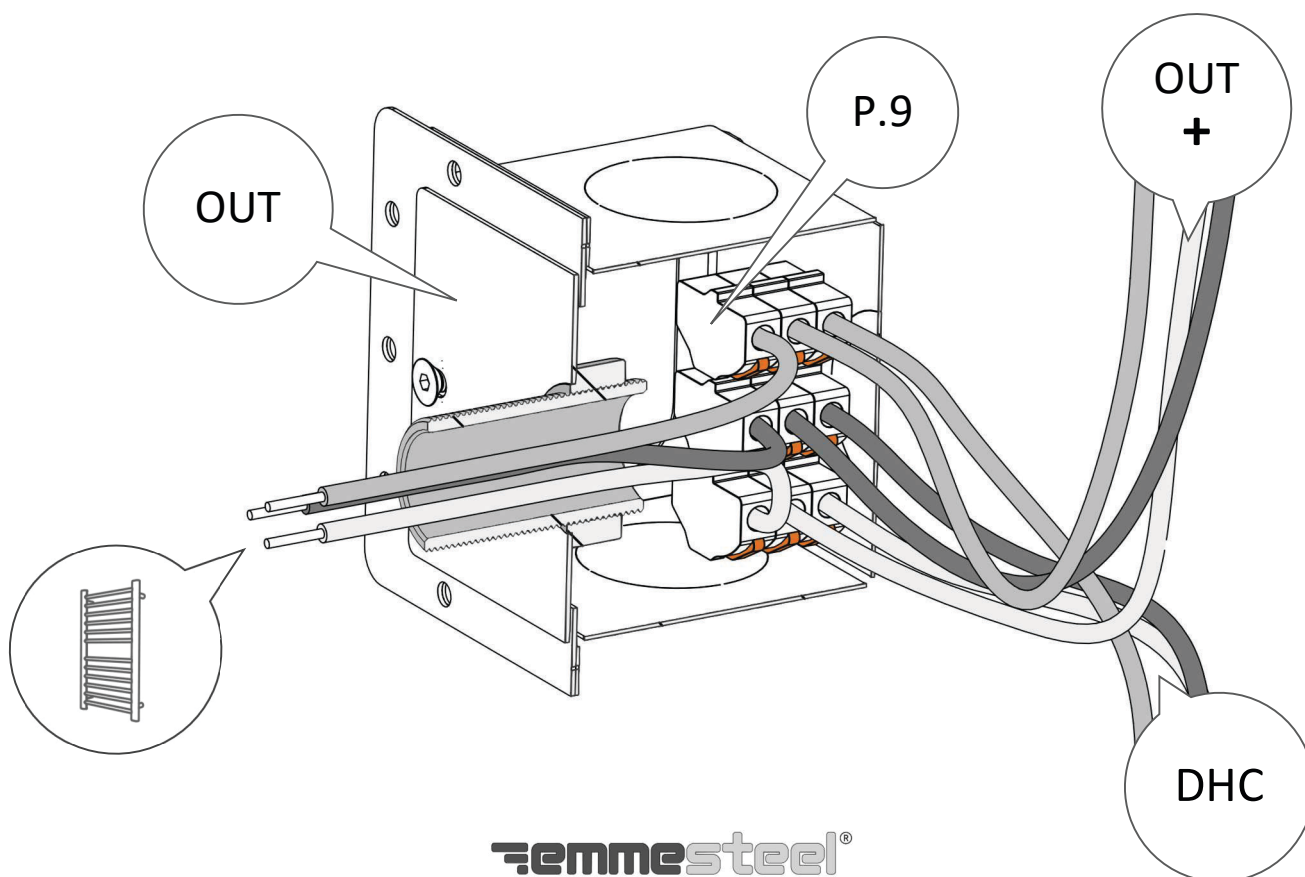
- In order to use the DHC device in "THERMOREGULATION" mode, it is necessary to ensure that the device is factory-fitted with the internal temperature probe and that the DHC touch device is set to operate in this mode.
- In order to connect the device's temperature probe with the DHC touch, it is necessary to fix the two leads into the corresponding electrical connector of the device.
- The connector inputs identified with "t1 and t2" are not polarised and can be connected in either mode.
- To connect the device's temperature probe when the DHC touch is in remote position from the product (configuration C-2), it is necessary to use the supplied probe extension with the corresponding wiring connectors.
- The supplied probe is 3 metres (118 1/8 inches) long and the length can be varied using the supplied connectors. For longer connections, please contact the manufacturer.



## ELECTRICAL CONNECTION IN THE JUNCTION BOX

- THE ELECTRICAL JUNCTION BOX IS USED TO CONNECT A SINGLE APPLIANCE AT A TIME WHEN THE DHC DEVICE (POWER CONTROLLER), WHICH IS ITSELF CONNECTED TO THE GENERAL POWER LINE, IS REMOTELY LOCATED WITH RESPECT TO THE PRODUCT.
- Within the power load provided by the DHC (1200 watts), several appliances (e.g. model I) can be connected to it using the 3-way terminals provided in the junction boxes. This allows easy parallel connection between each junction box (P.9).
- Wiring procedures must be handled by qualified personnel who can correctly handle all factors relating to the positioning, direction and spacing of cables. In addition to this, it is important to consider the modularity with which the junction box can be installed to the walls, and to ensure the use of suitable conductors to make the electrical connections correctly.
- It is **IMPORTANT** that all conductors, including the thermoregulation probe when fitted, exit the junction box at an appropriate length. This length must exceed that of the wall fixing (70 mm or 2 6/8 inches) and allow the conductors to be connected to the appliance connectors.
- Before applying the cladding, all conductors must be folded inside the adjustment bar so that the cap can be screwed in, which is intended to protect them and preserve the thread in which the wall bracket will be fixed.

**!** ENSURE THAT YOU ARE ABLE TO RETRIEVE ALL PREVIOUSLY FOLDED CONDUCTORS IN THE ADJUSTMENT BAR AFTER THE COATING HAS BEEN APPLIED.



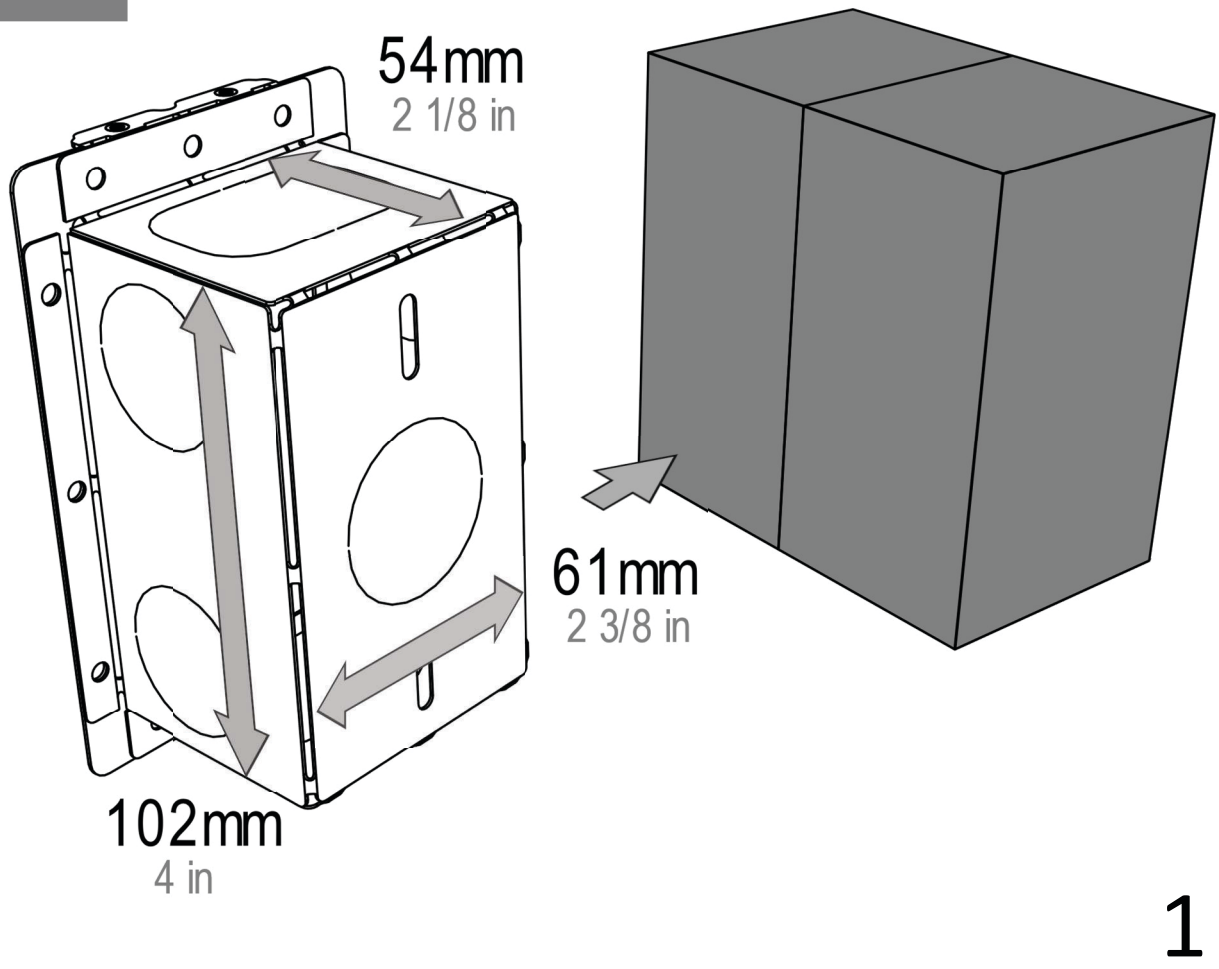
**emmesteel**<sup>®</sup>

INSTALLAZIONE  
INSTALLATION  
*УСТАНОВКА*

---

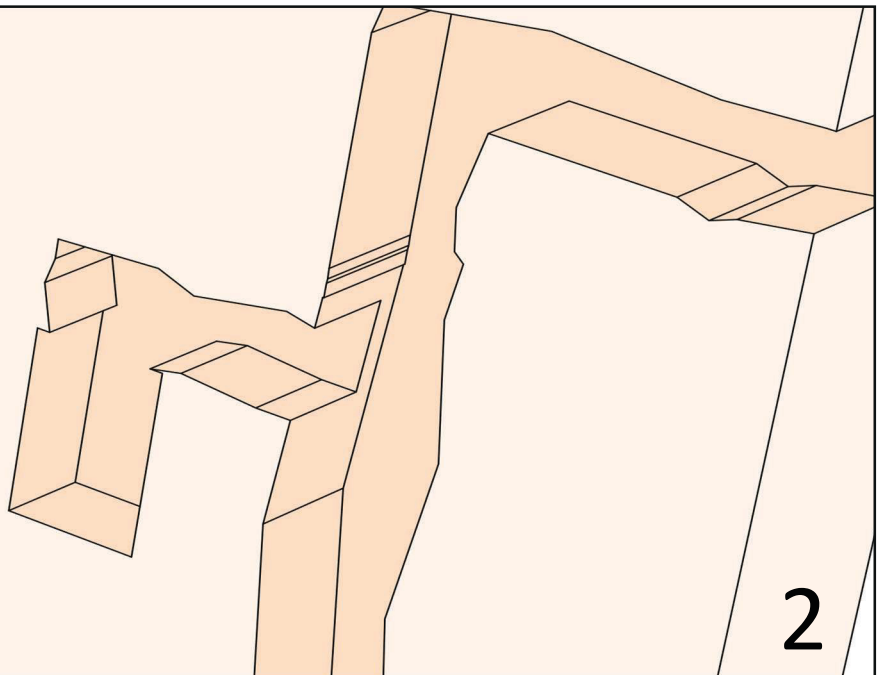
C-1

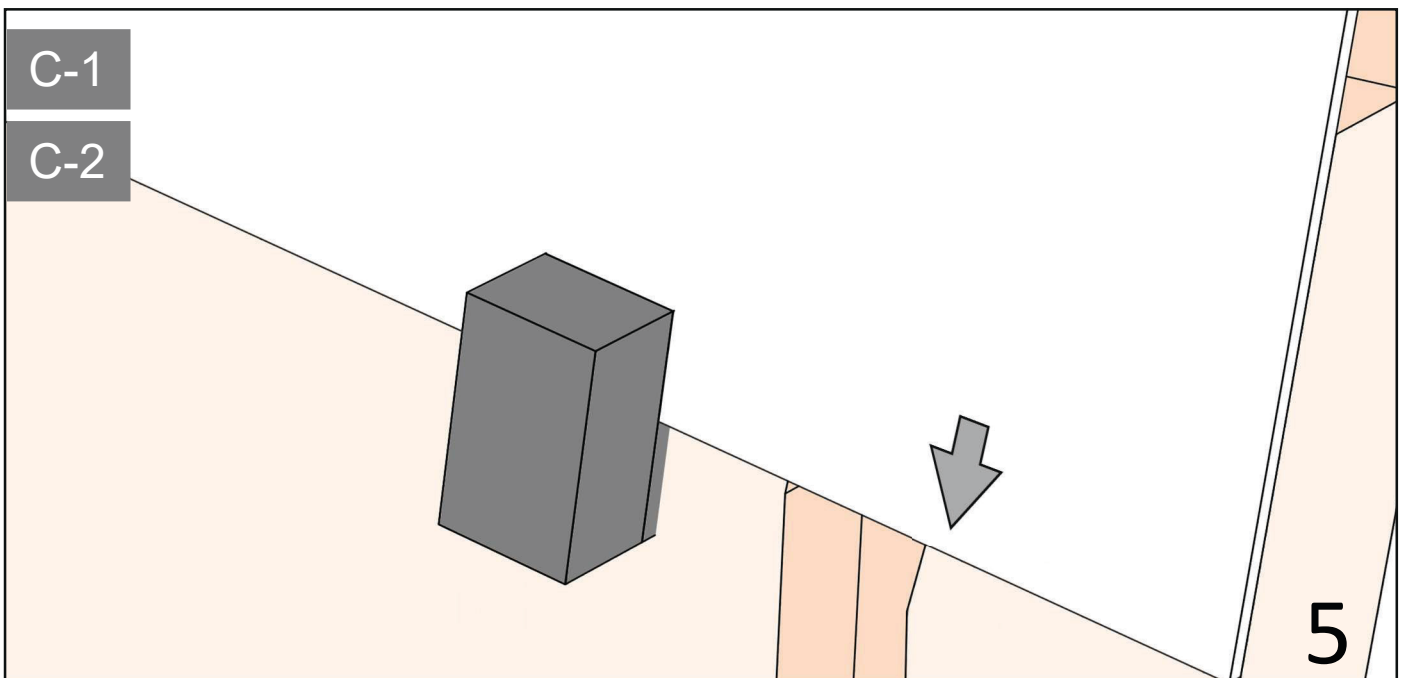
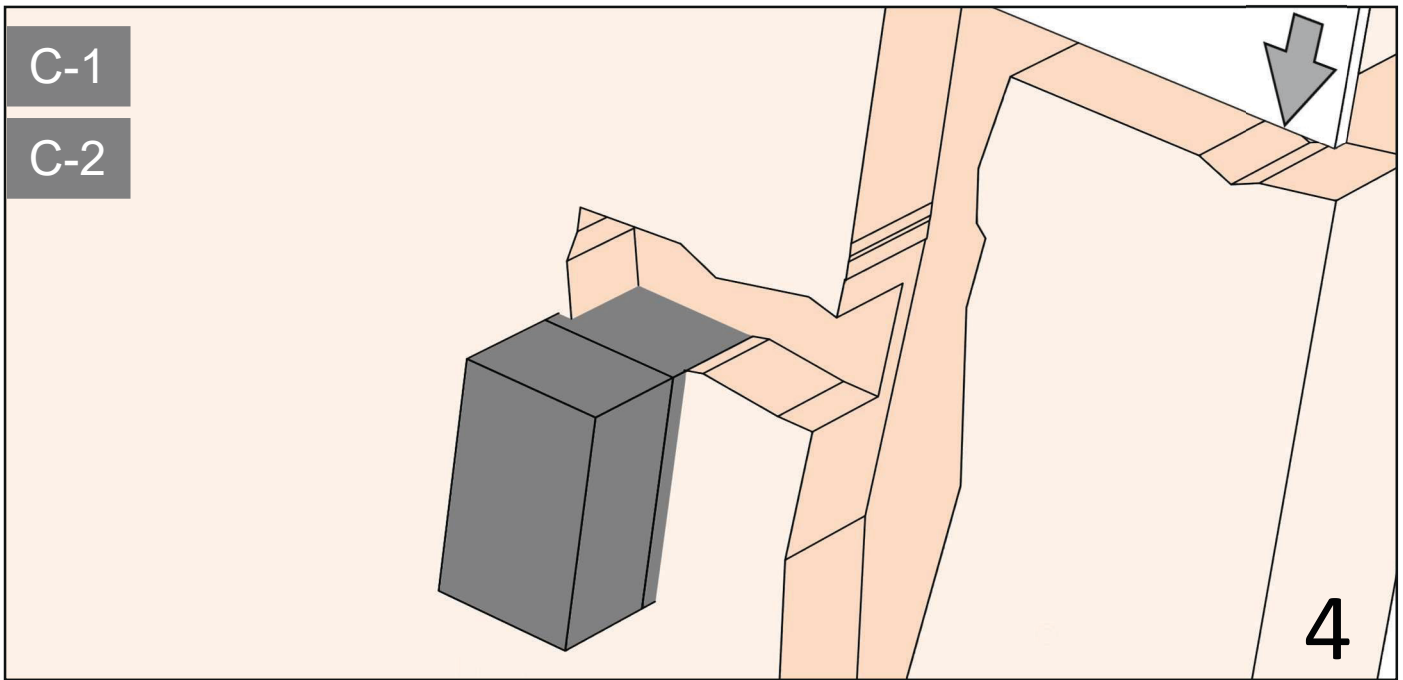
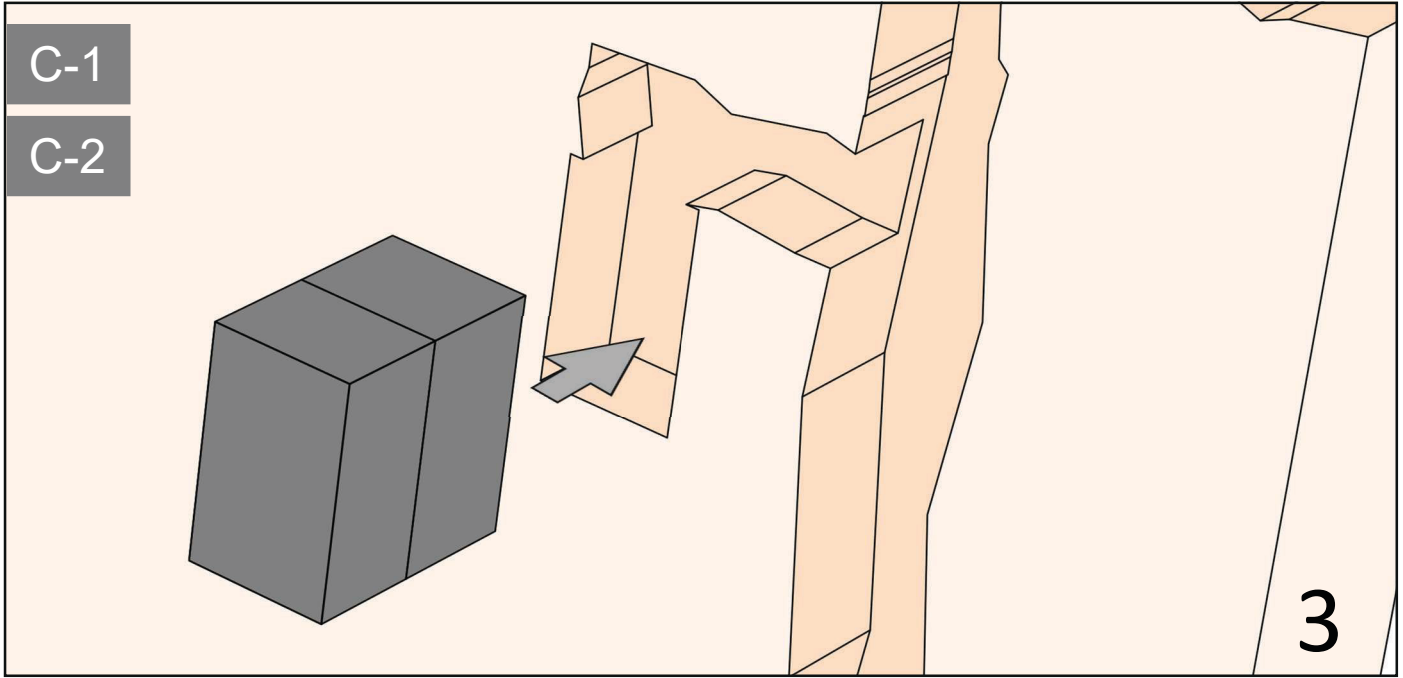
C-2



C-1

C-2

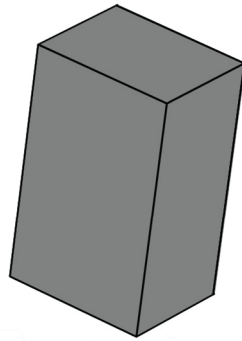






C-1

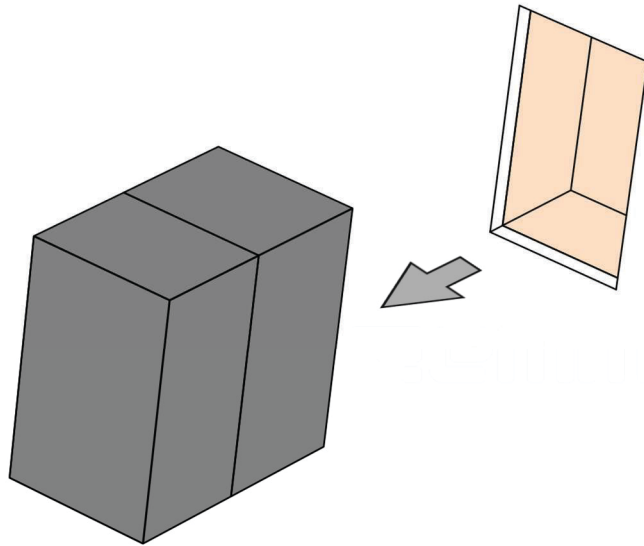
C-2



6

C-1

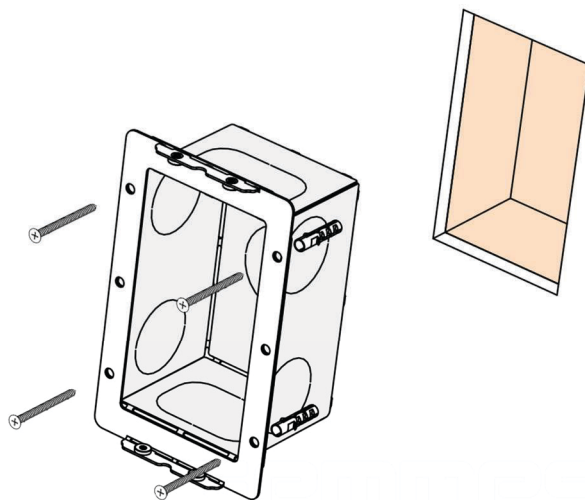
C-2



7

C-1

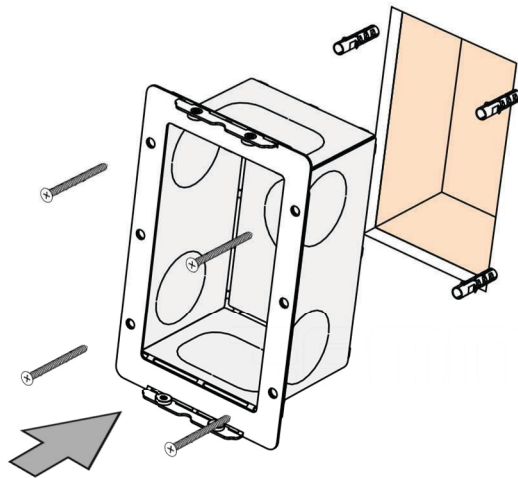
C-2



8

C-1

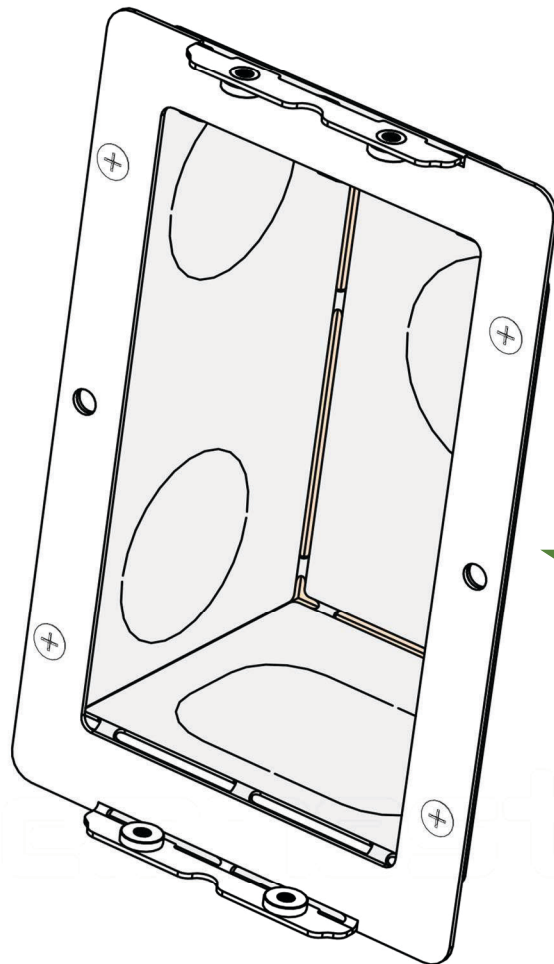
C-2



9

C-1

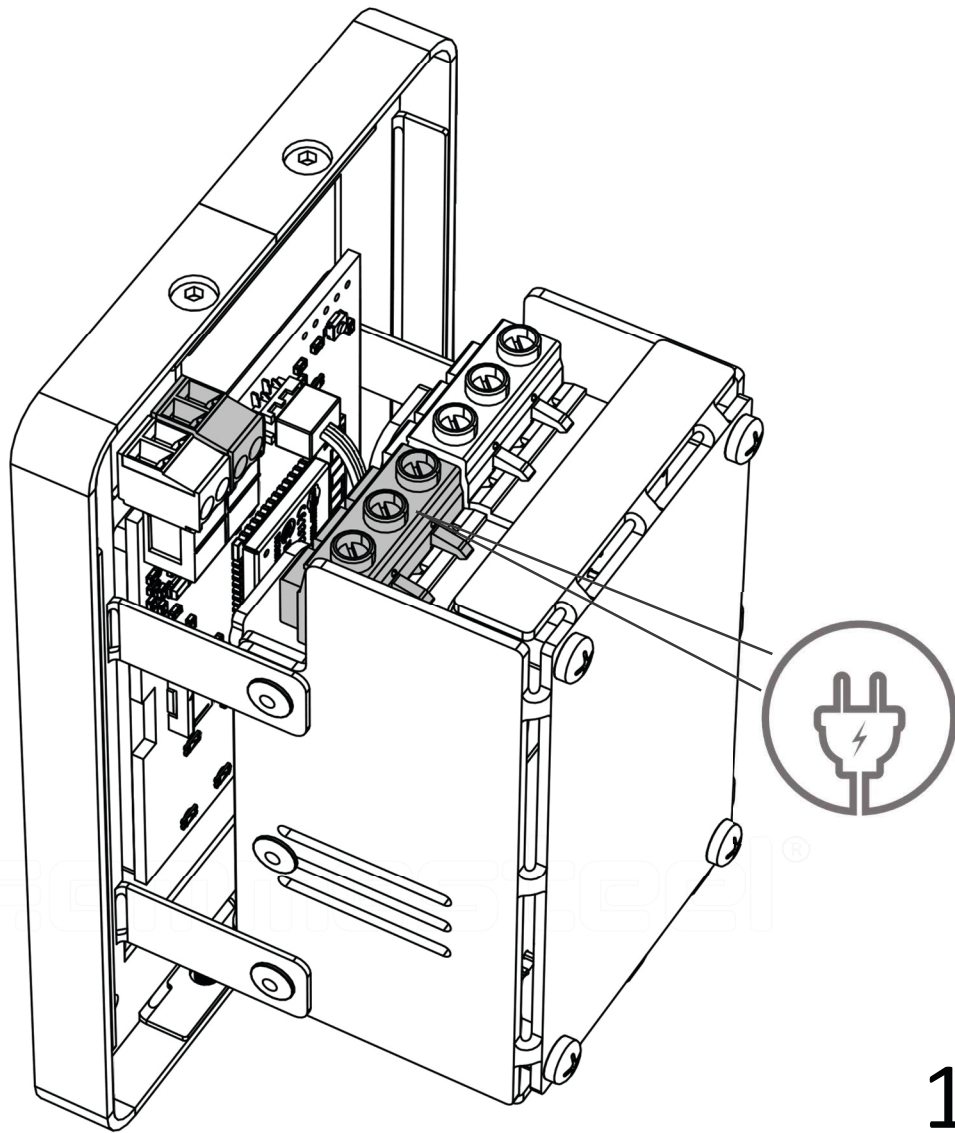
C-2



10

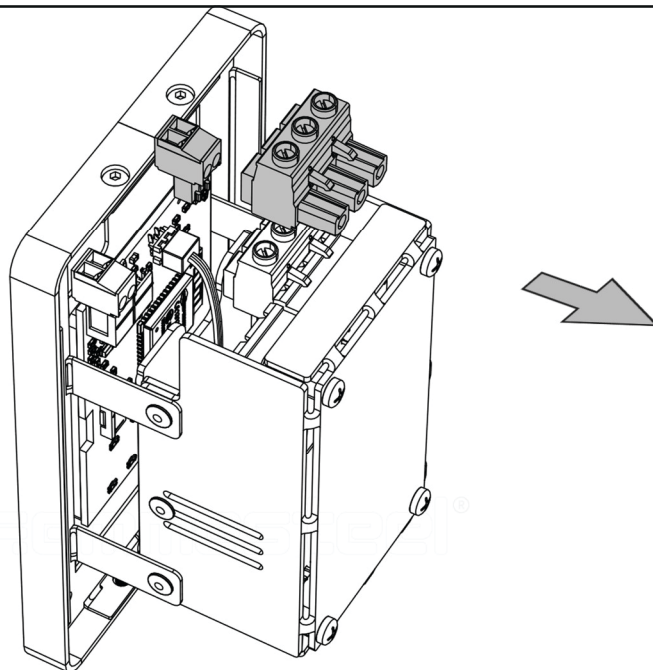
C-1

CONFIGURAZIONI  
CONFIGURATION  
KONFIGURATION  
КОНФИГУРАЦИЯ



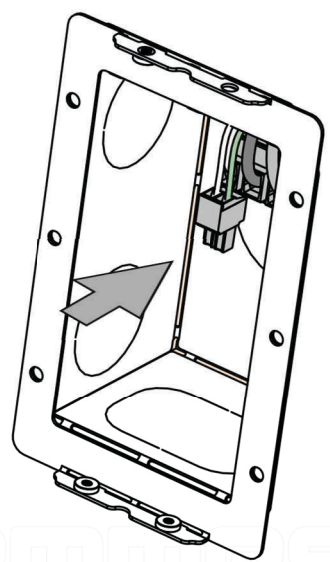
11

C-1



12

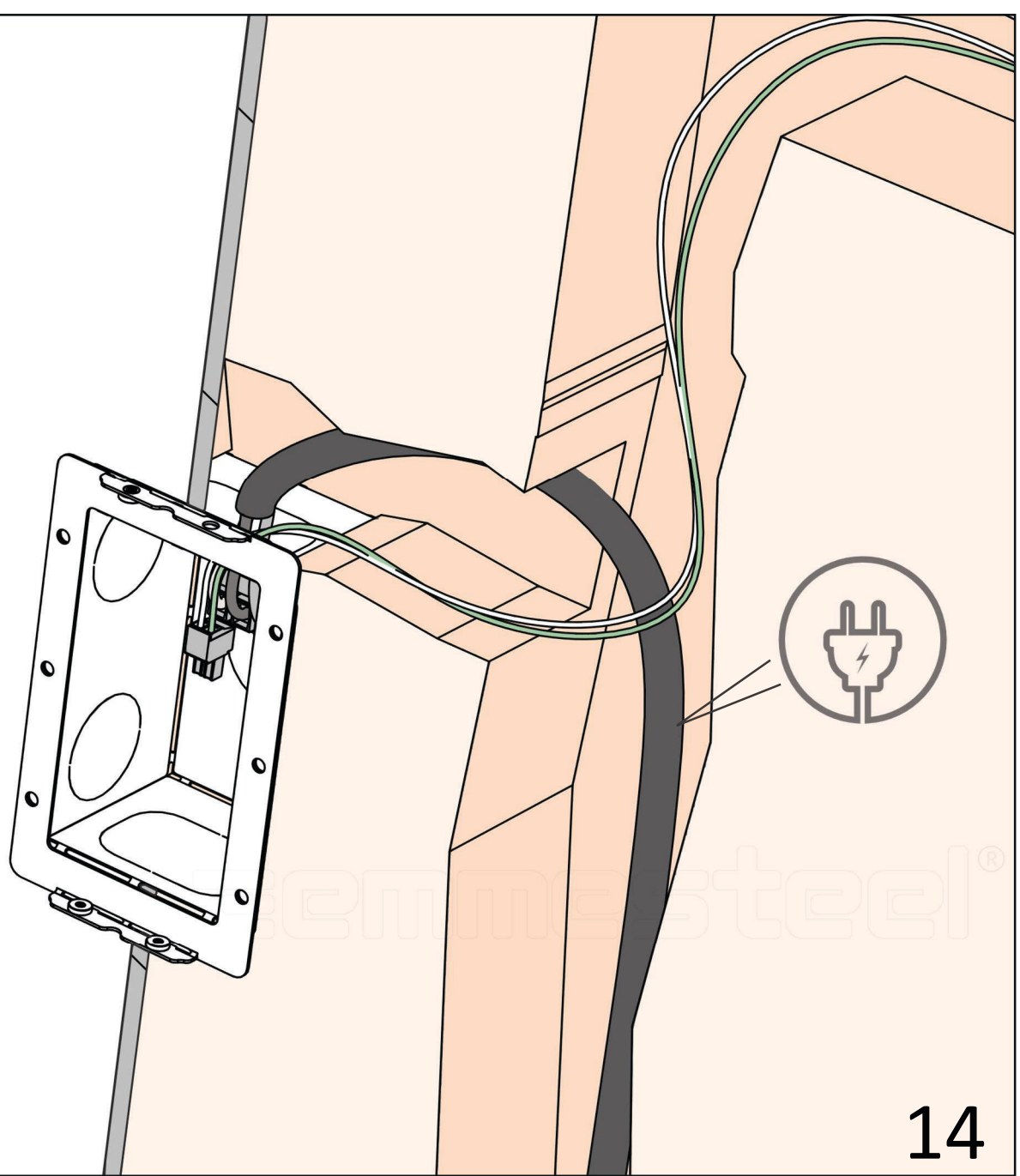
C-1



emmesteel®

13

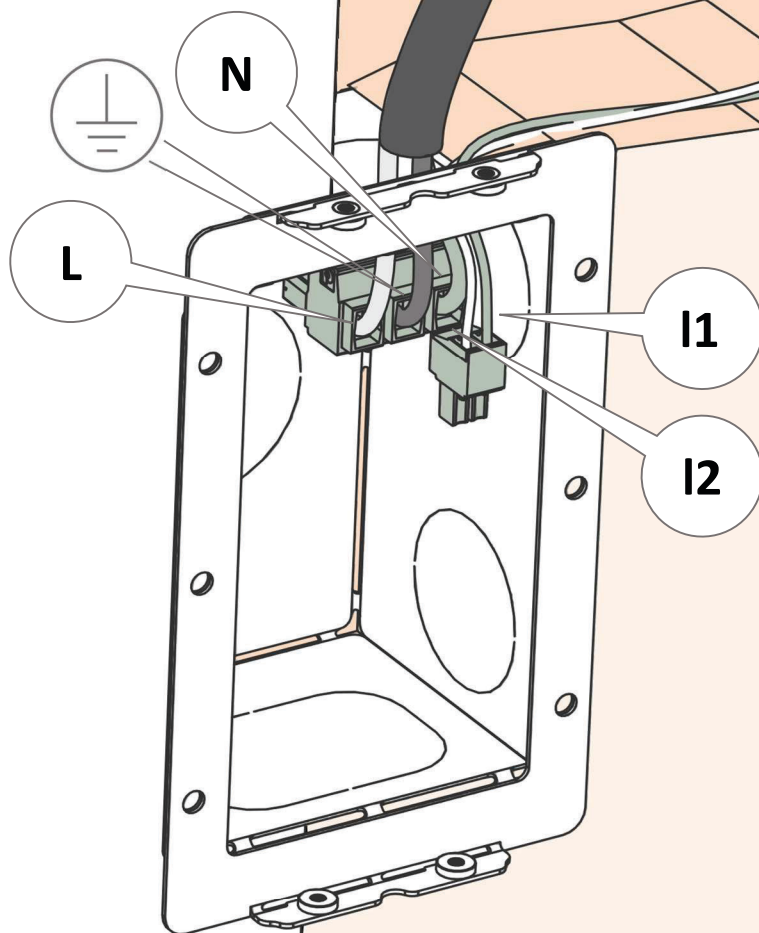
C-1



emmesteel®

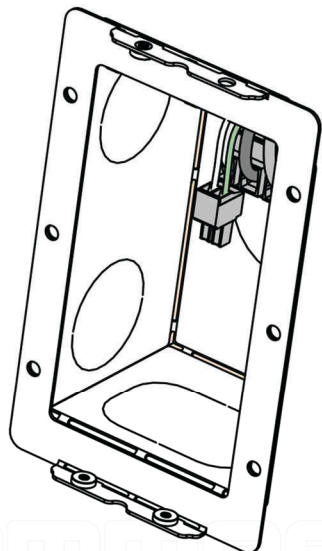
14

C-1



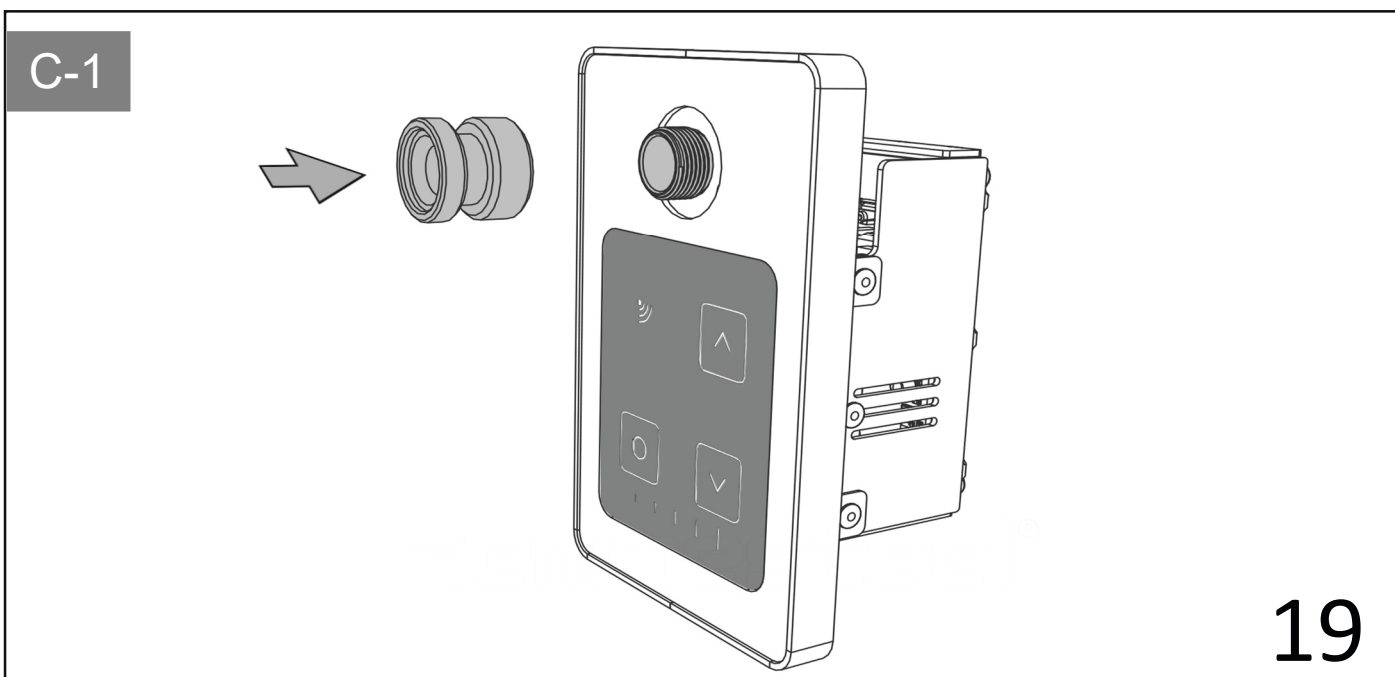
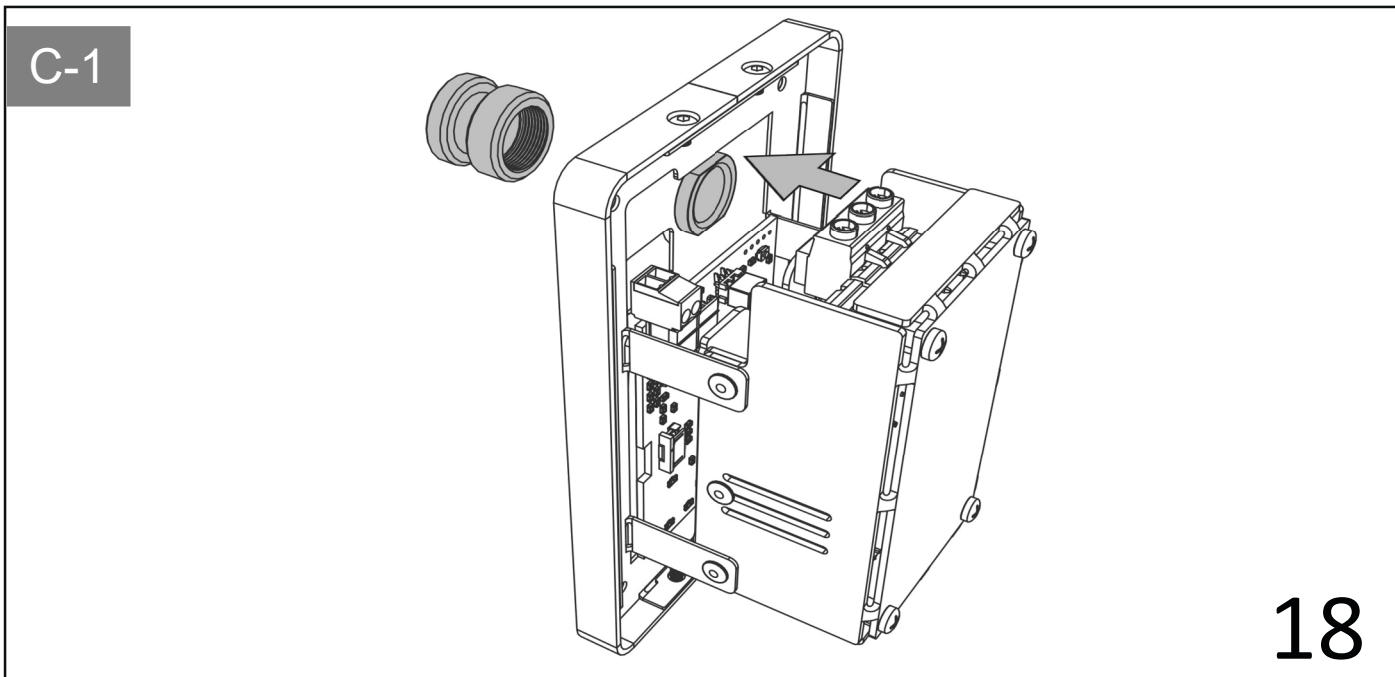
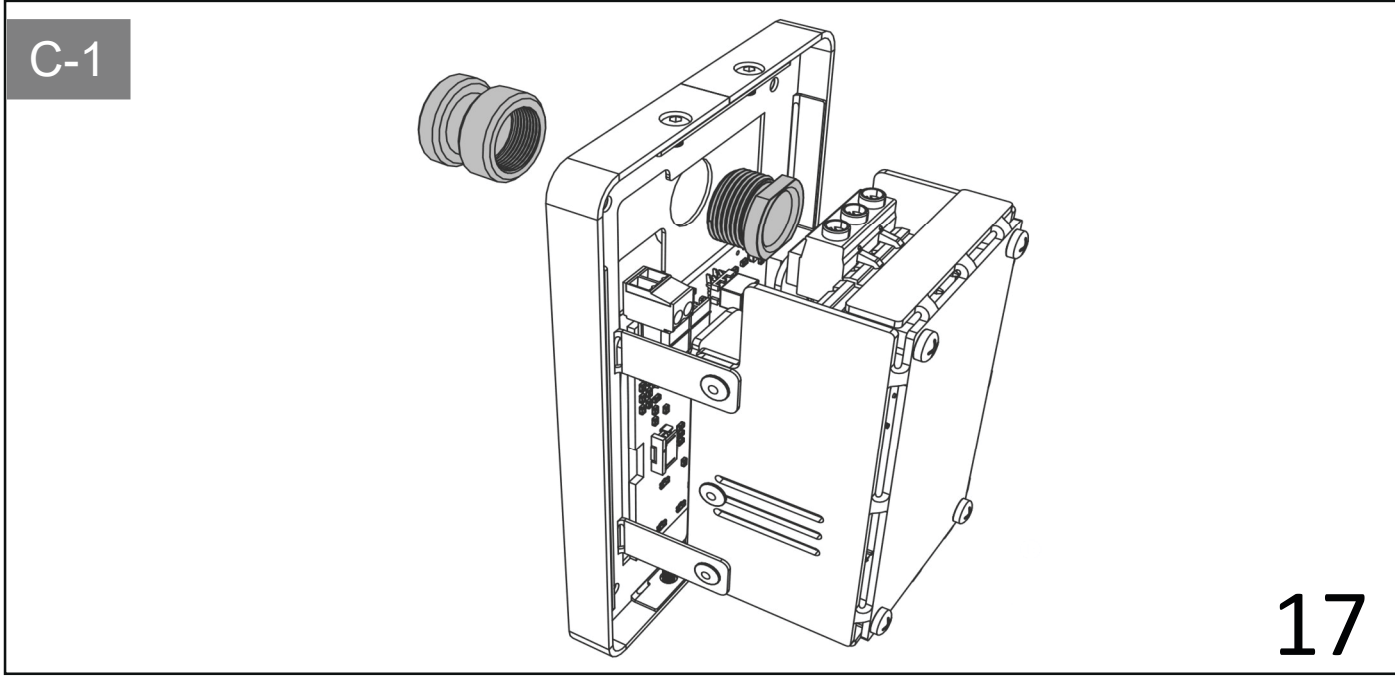
15

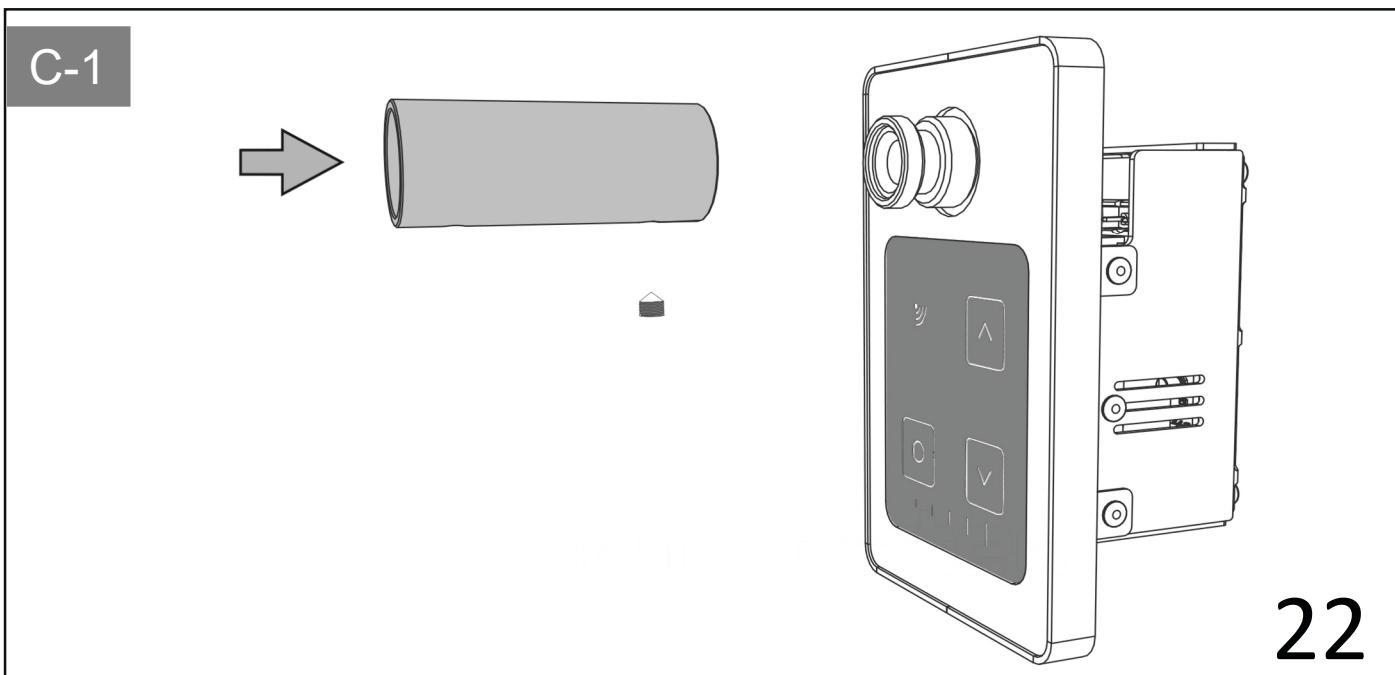
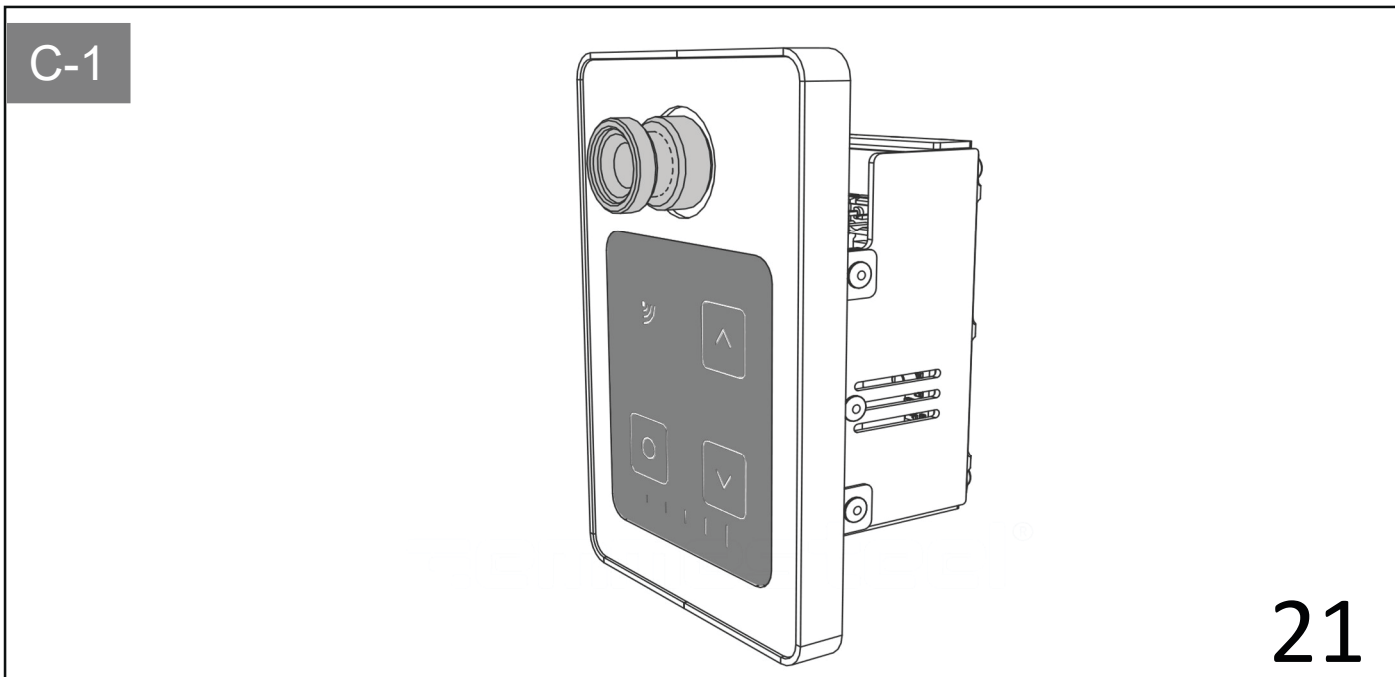
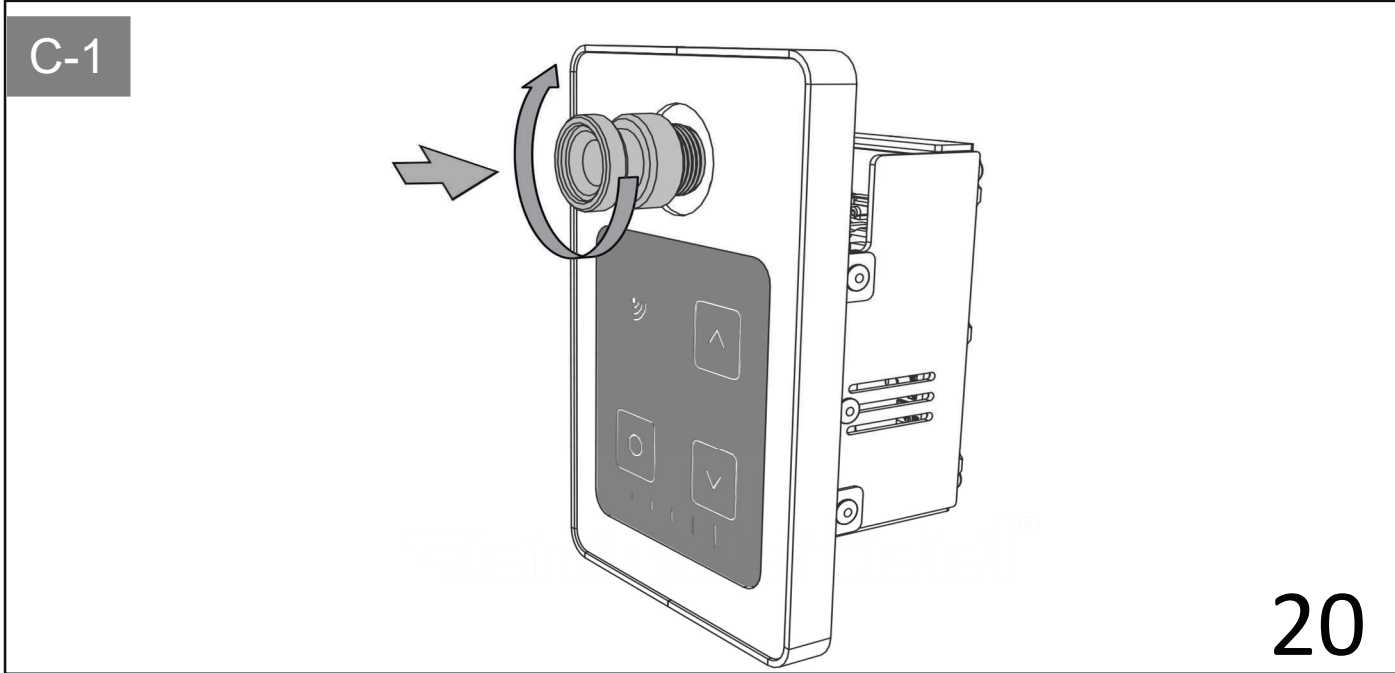
C-1

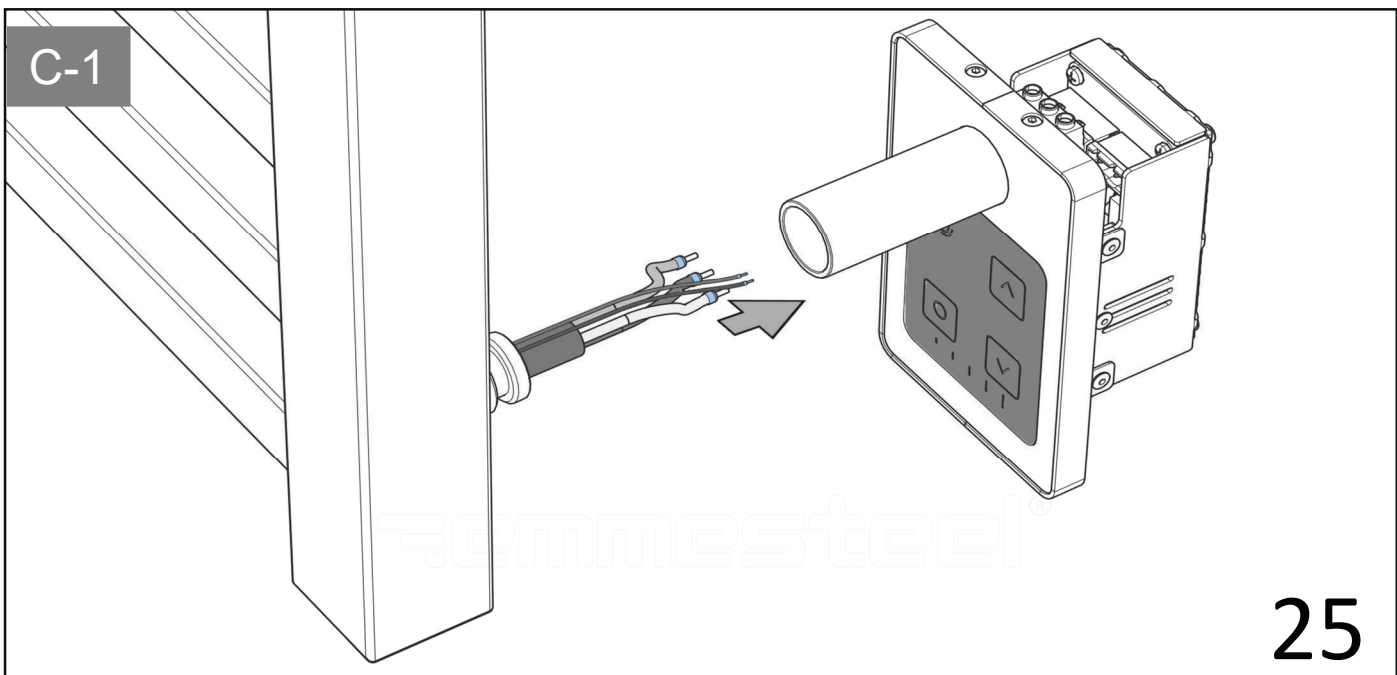
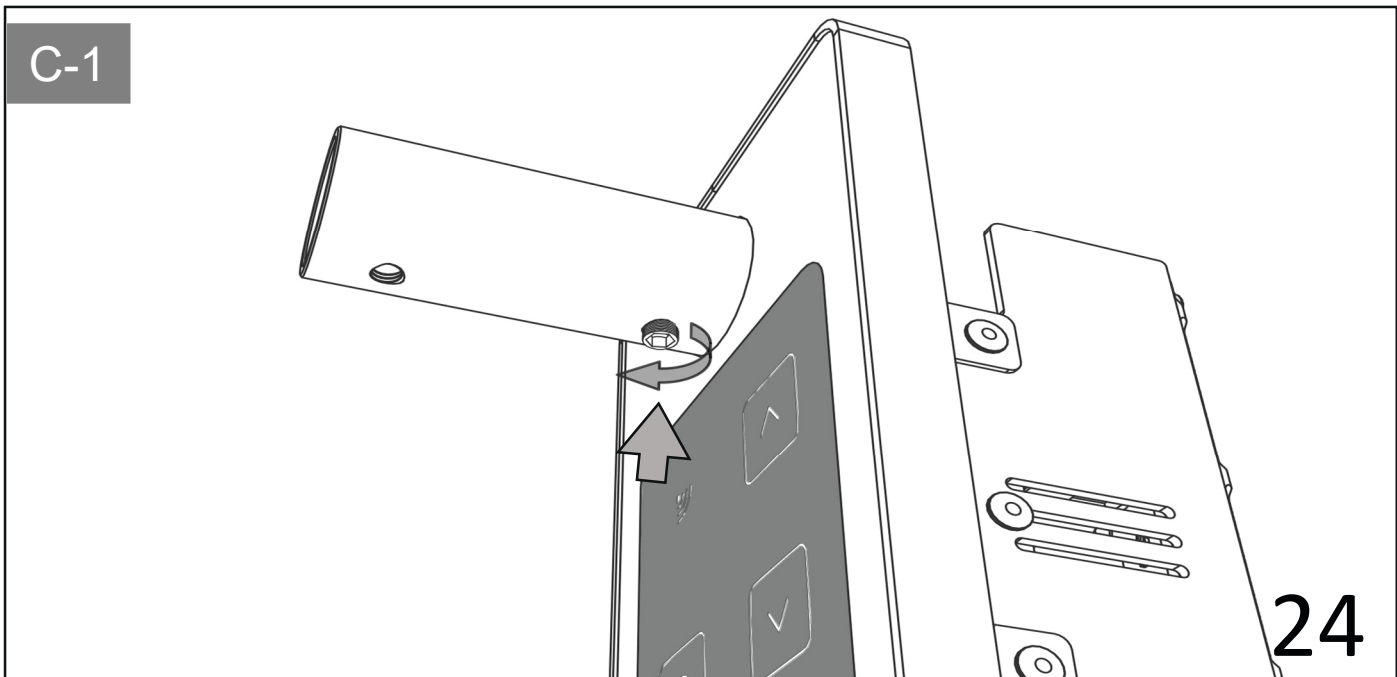
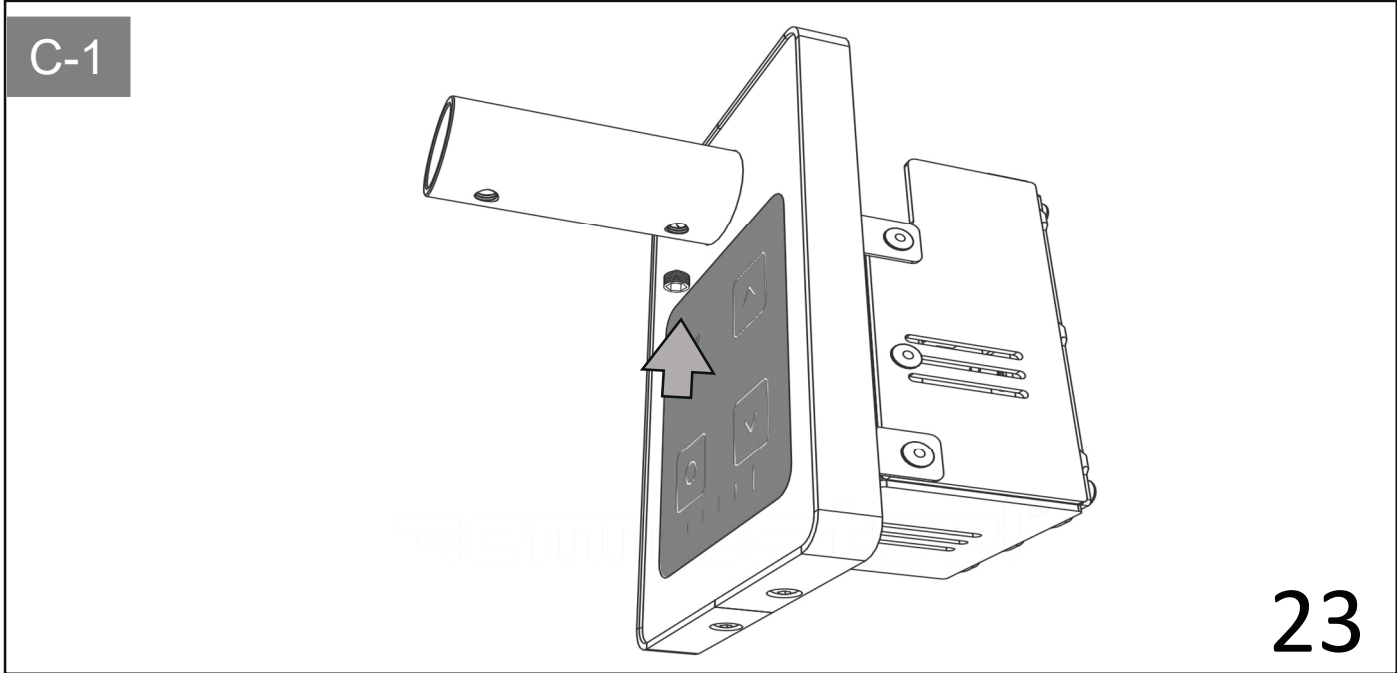


femmateel®

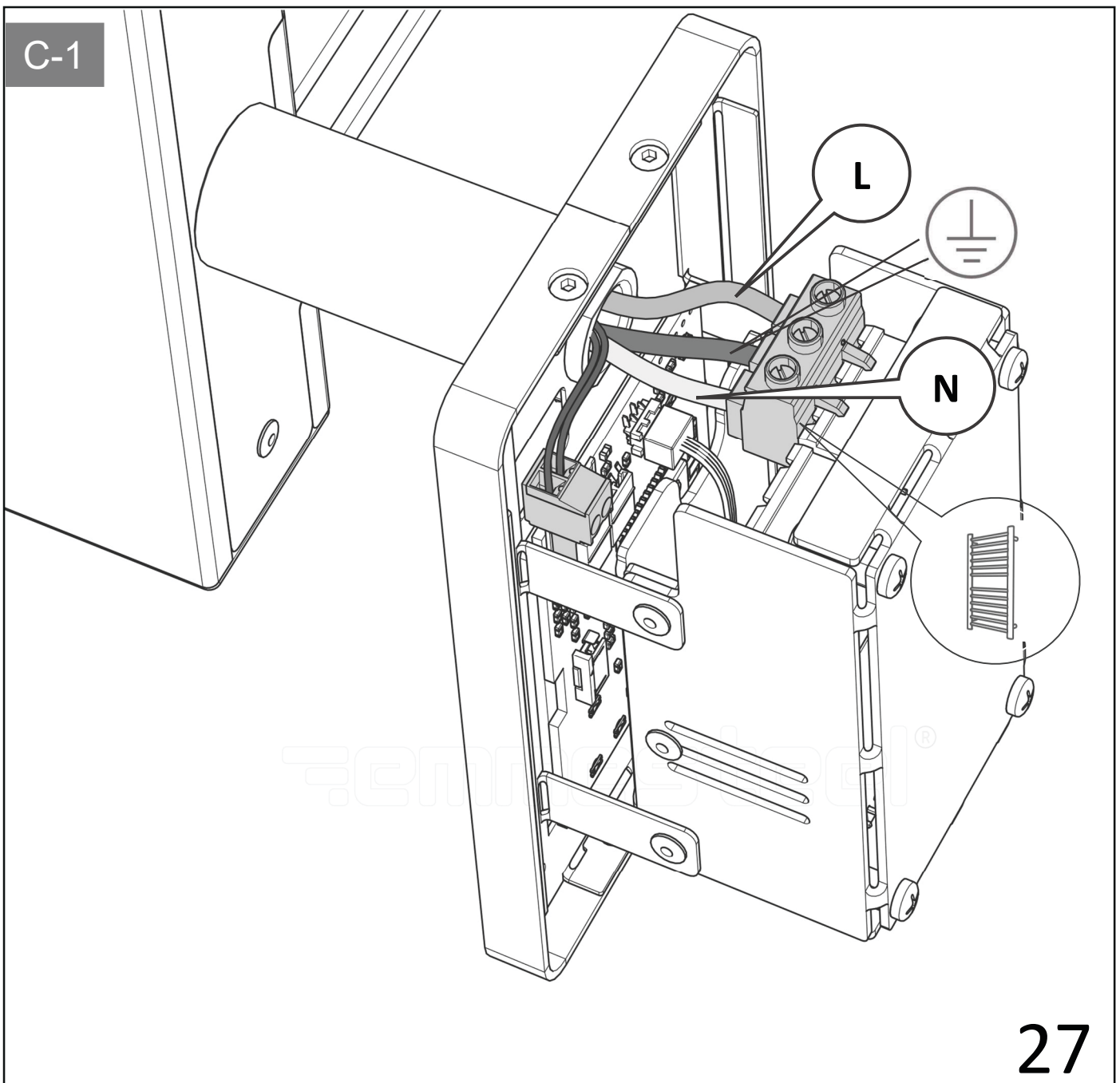
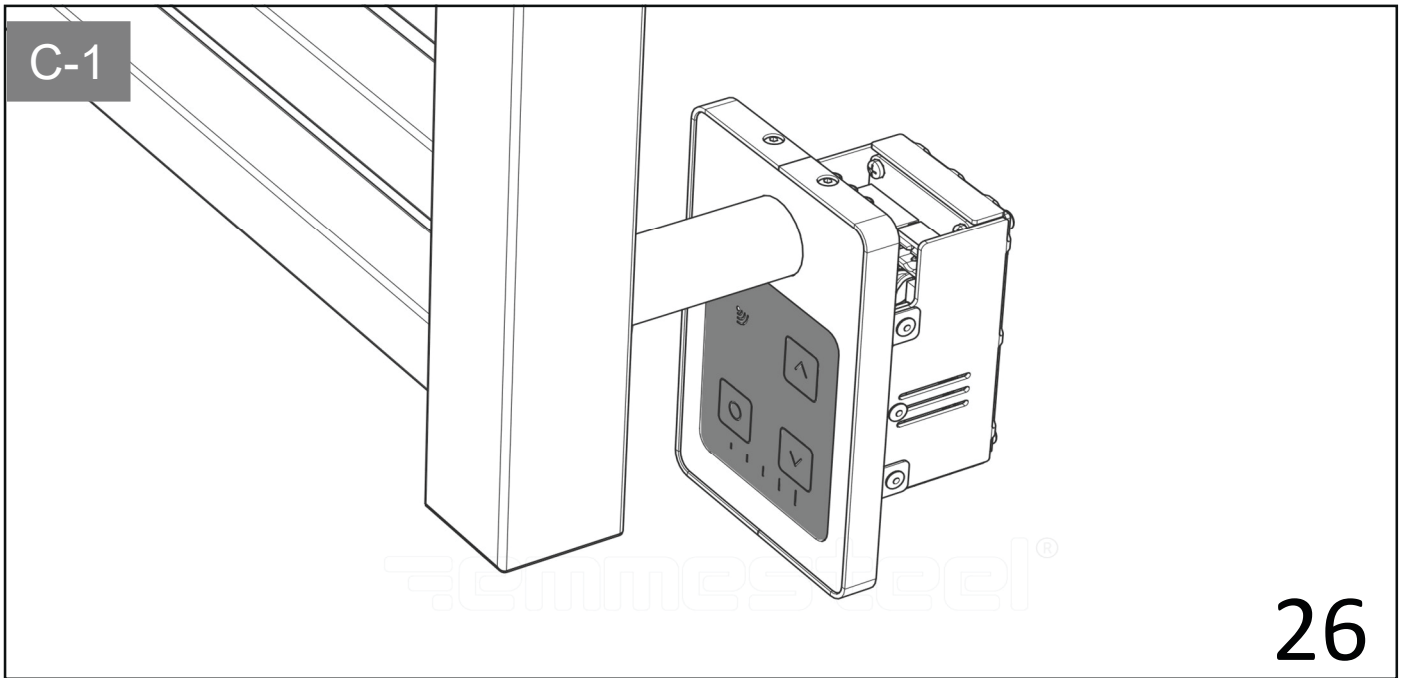
16

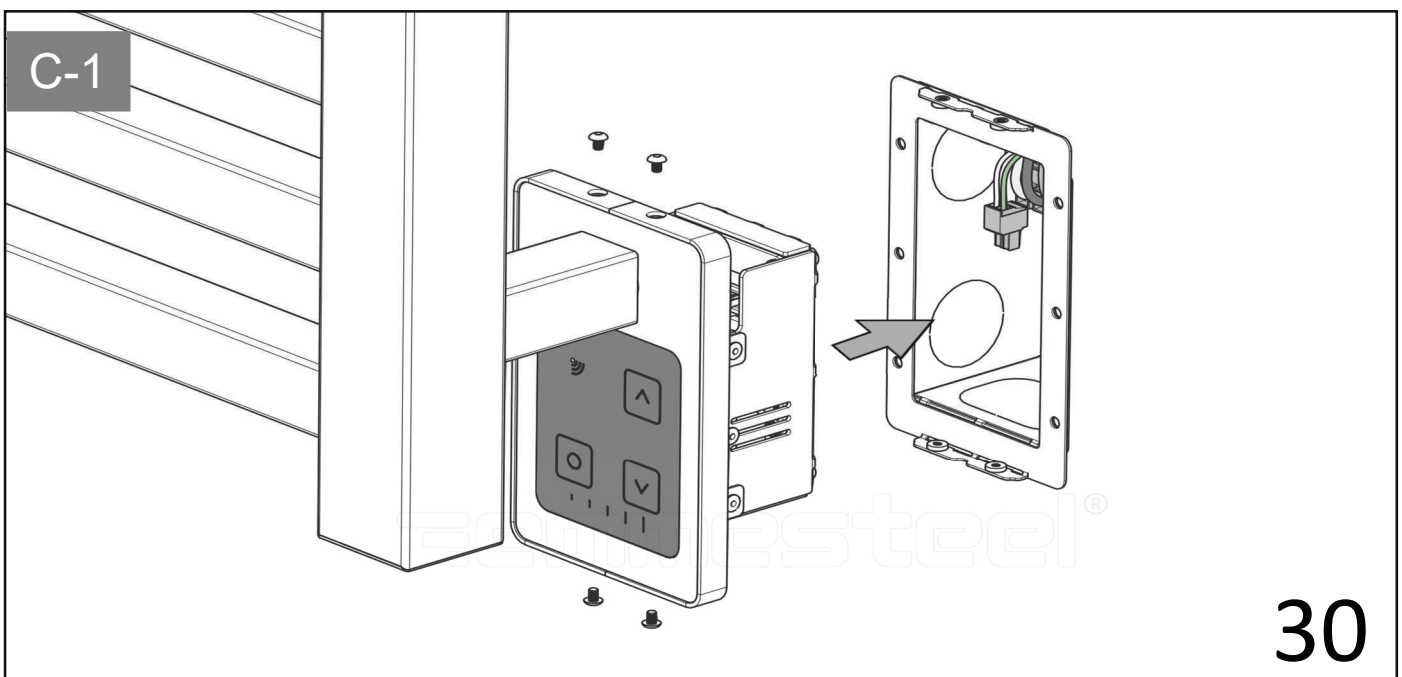
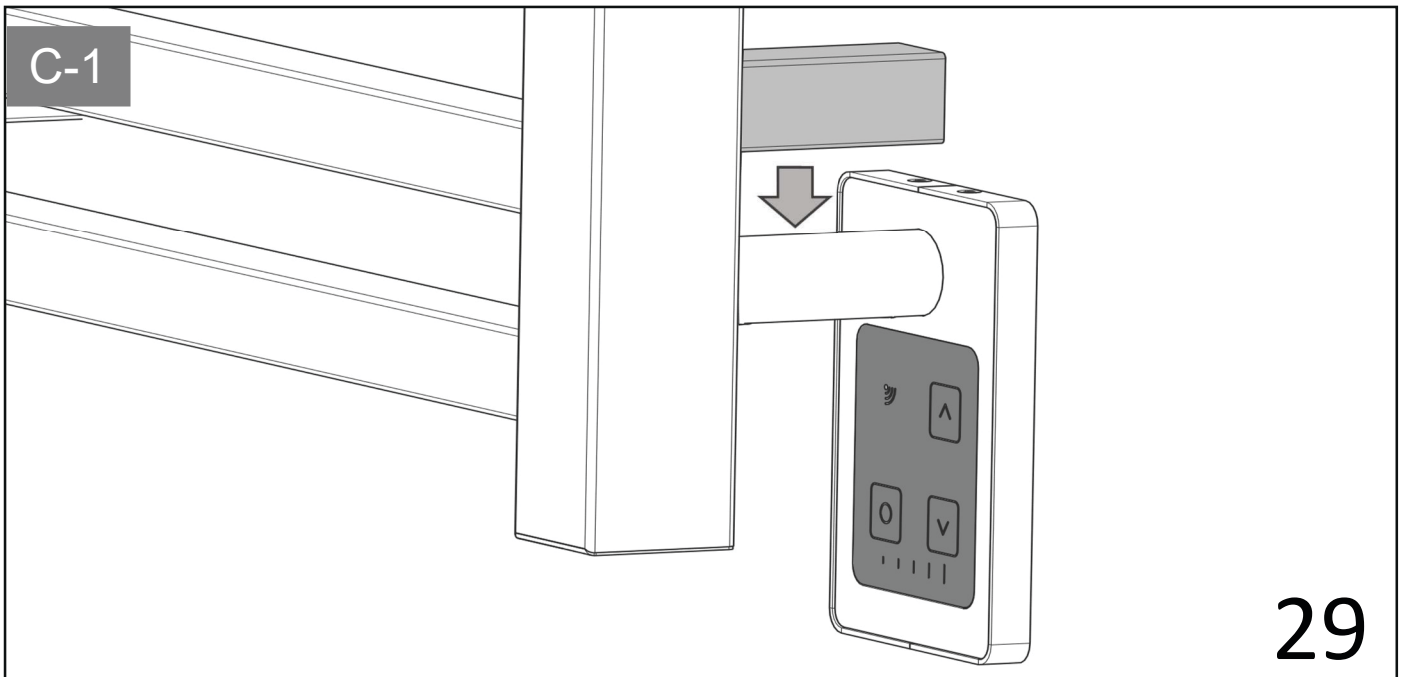
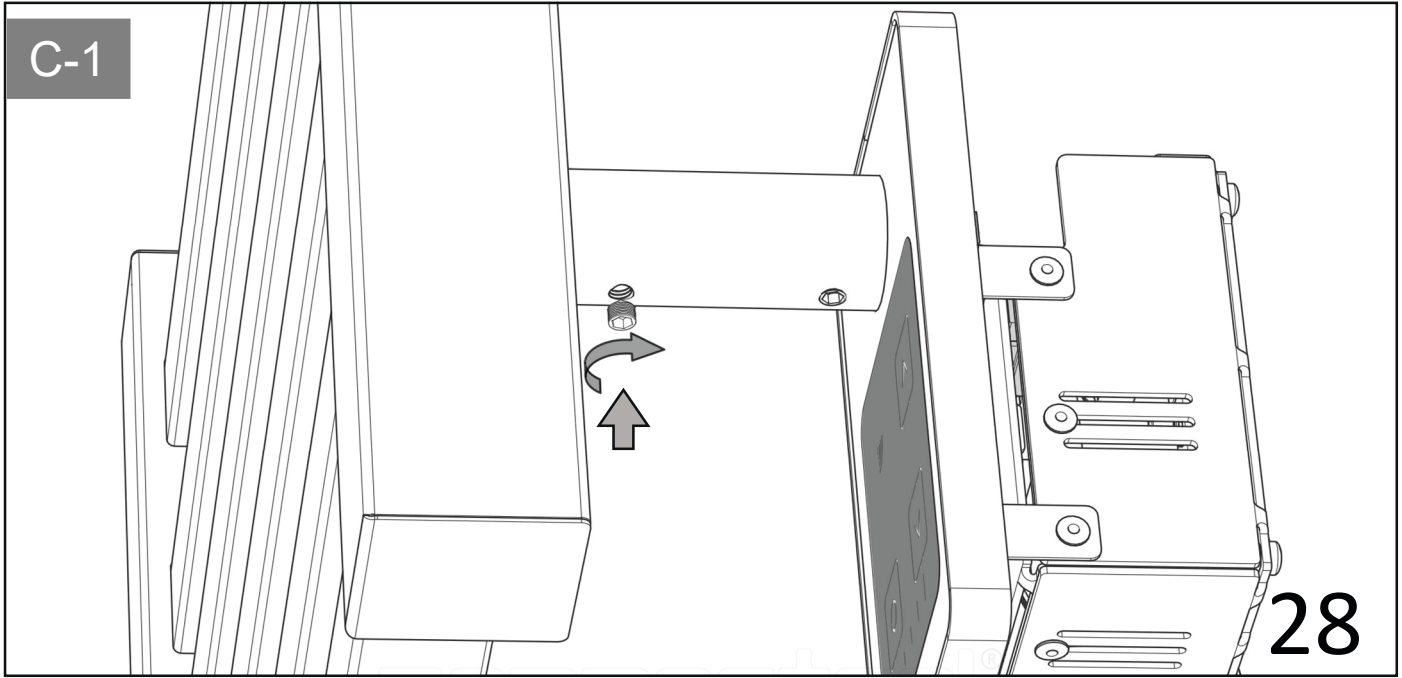


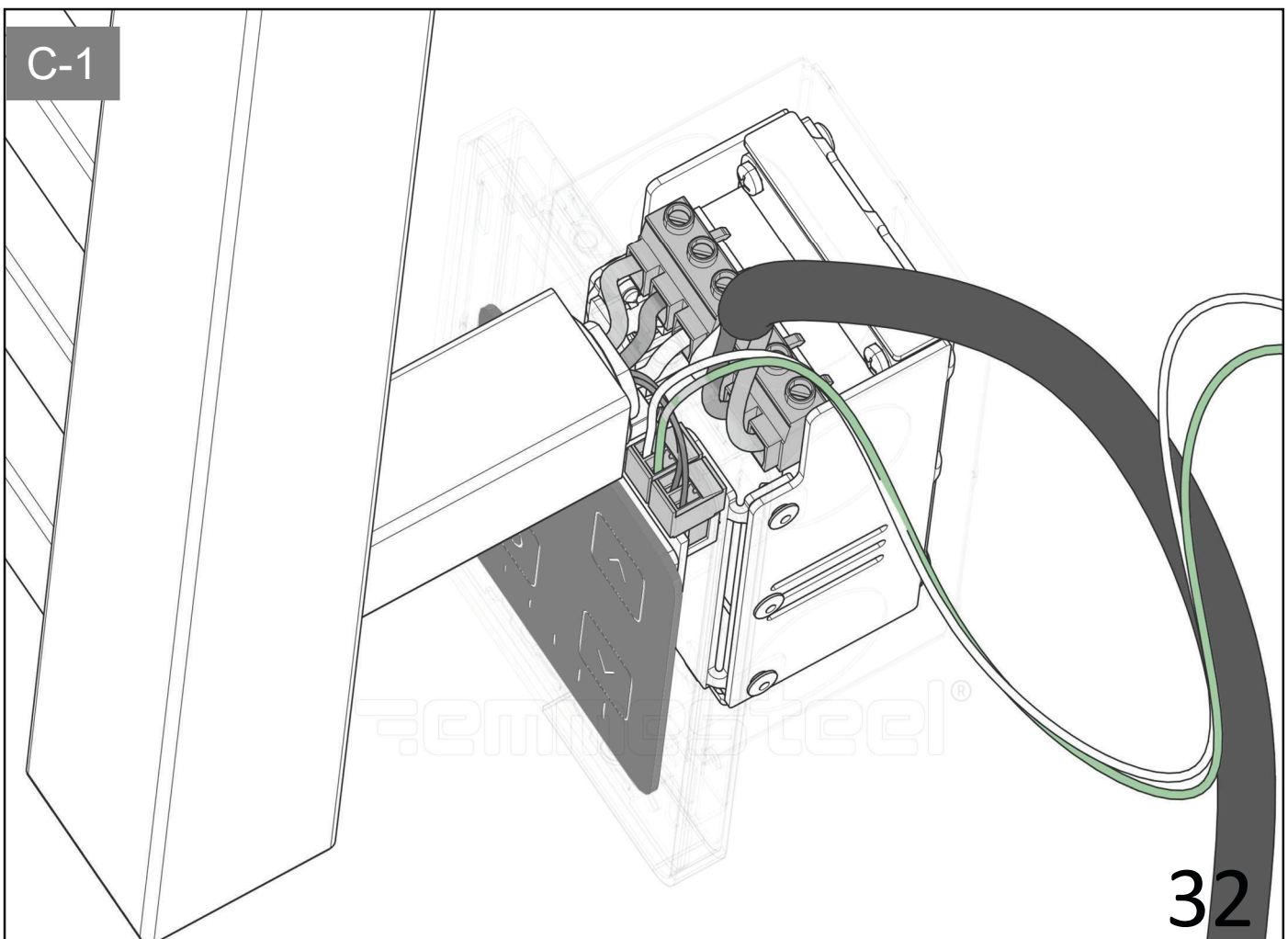
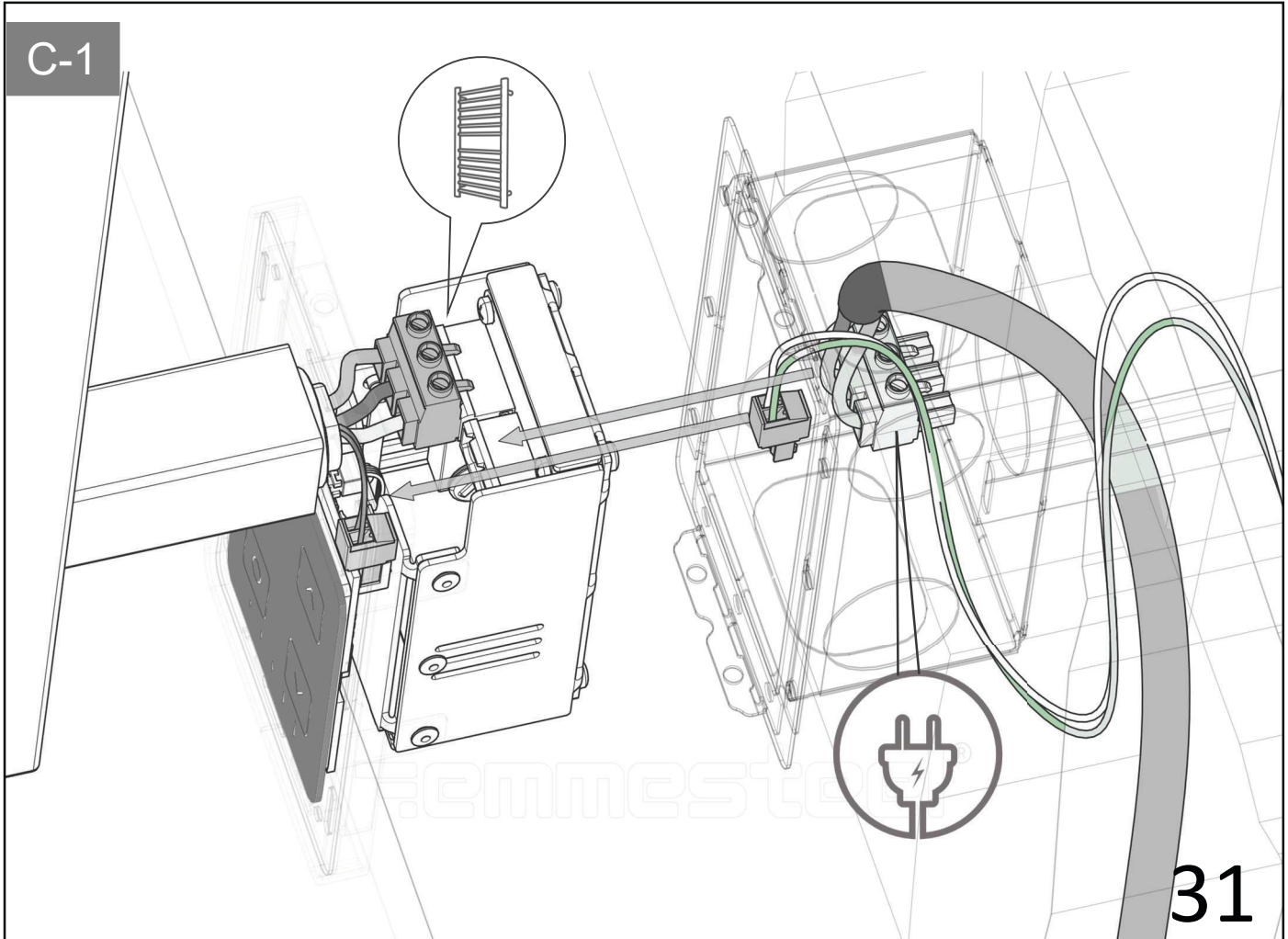


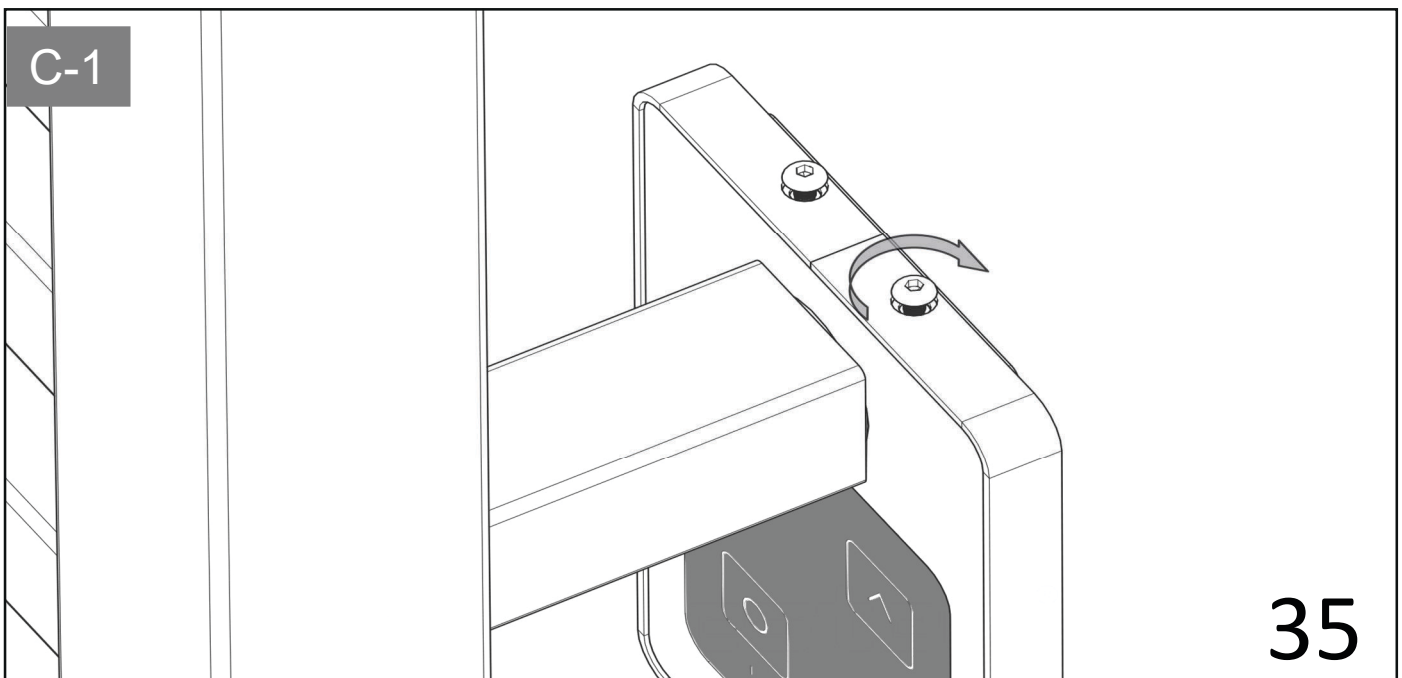
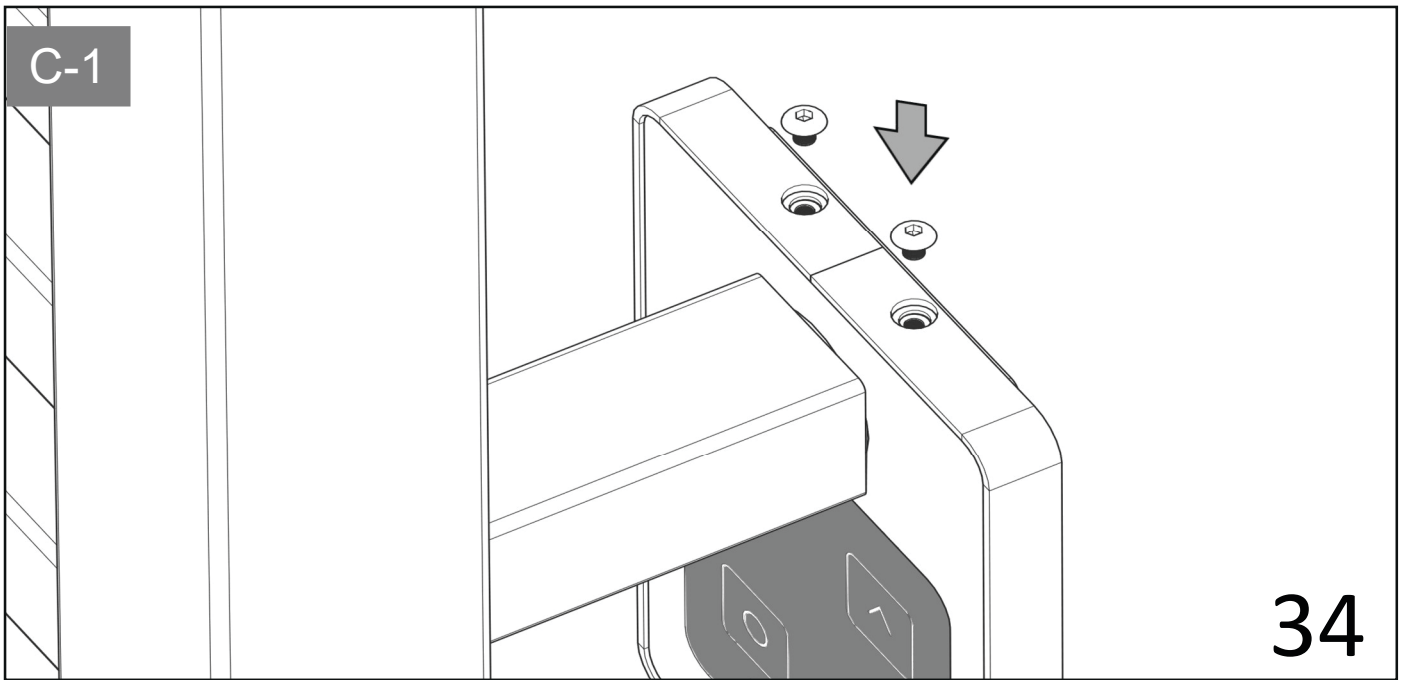
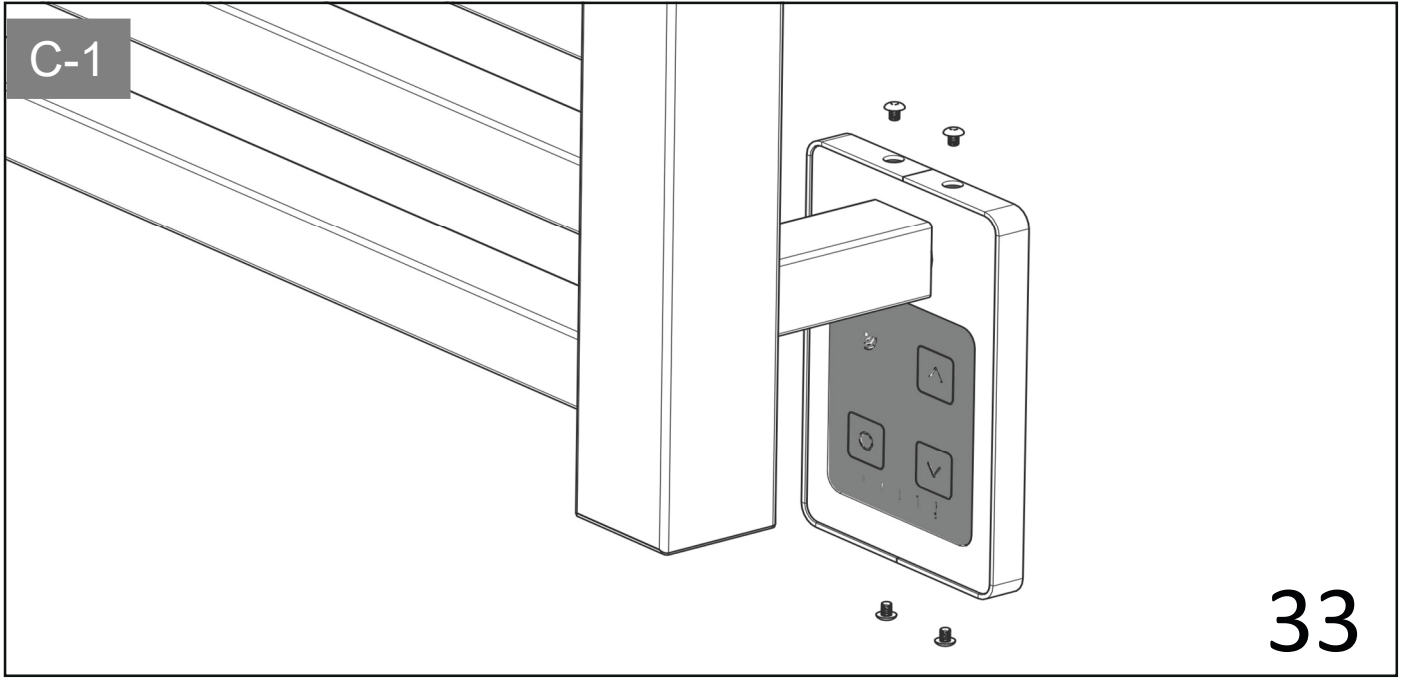


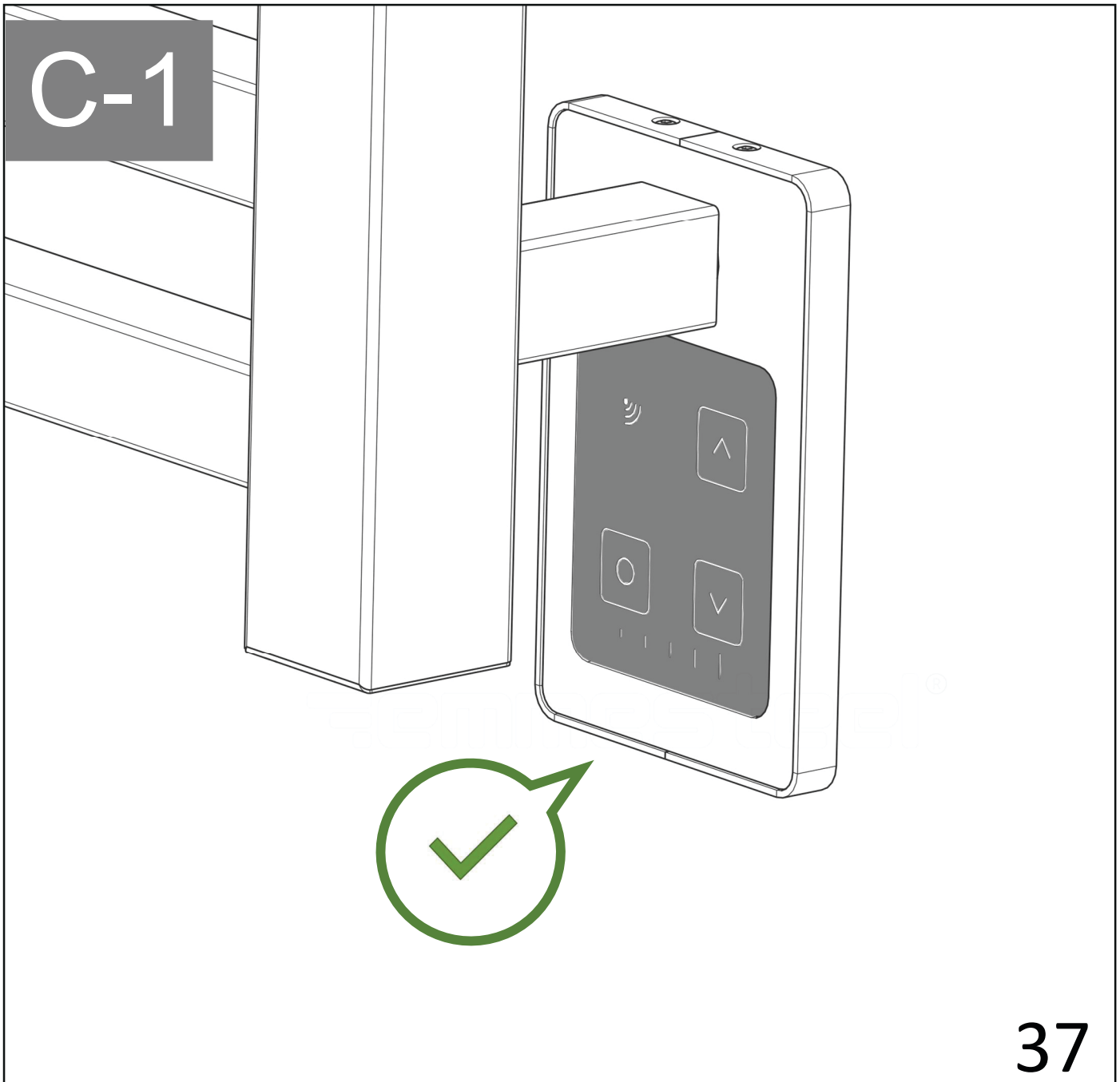
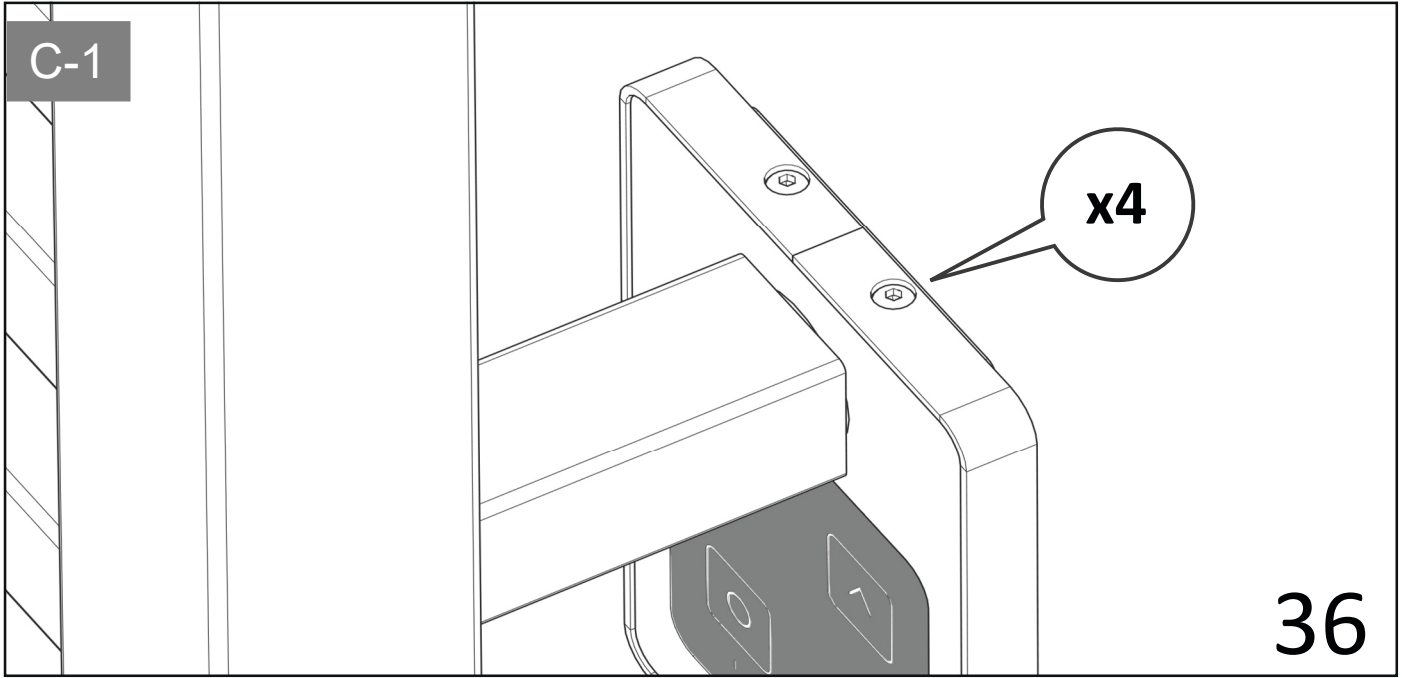












# GENERAL CONDITIONS OF SALES

## ART.1 – INTRODUCTION

Unless otherwise provided for by a written agreement between the parties, every sale of Emmesteel s.r.l. products (hereinafter referred to as "the seller") is governed by the following GENERAL TERMS OF SALE which constitute the entire contractual relationship between the parties. Any unilateral clause inserted by the buyer in their documents or correspondence, which is in contrast to or in addition to these general terms of sale or to special conditions agreed in writing by the seller, will be considered null and void.

## ART.2 - ORDERS

sending an order implies the buyer's acceptance of these general conditions. Orders may be placed by telephone, e-mail, or website. Subsequently, the seller shall send an order confirmation form, which shall be verified and confirmed by the buyer by a signature for acceptance. If there is no further communications within 3 days, the order confirmation will be binding for the start of production. Requests for quotations do not constitute an executive purchase order. Changes or cancellations of orders are subject to the written approval of the seller and may entail additional costs. Orders with scheduled delivery may be cancelled or changed within the delivery period.

## ART.3 - DELIVERY TERMS

If the delivery date is not be met for any reason beyond the seller's control or due to changes requested at a later date - see Art. 2 - by the buyer, the latter shall not be entitled to claim any compensation or cancellation of the order. The seller shall promptly notify the buyer of any change in the delivery date. The seller shall deliver the products to the buyer by means of trusted couriers and/or forwarding agents, or personally with its own agents, unless otherwise agreed with the buyer. Different delivery terms and conditions must be agreed in advance between the buyer and the seller and accepted by the seller by means of an order confirmation.

## ART.4 - RISK TRANSFER AND TRANSPORT

Every sale is considered to be made EX-WORKS (Incoterms 2000) EX Seller's premises: when the goods are loaded or delivered directly or by carrier to the Buyer, the transfer of risk from the Seller to the Buyer is considered to be effective; the sale is considered net of carriage, insurance, packing, and other charges; the Seller is not liable for any damages caused during carriage, unloading at destination, and for all stages following departure from the Seller's premises; the goods travel at the exclusive risk of the Buyer even if the carrier is chosen and appointed by the Seller on behalf of the Buyer. All costs and risks relating to transport, including any costs of storage at the carrier's premises, shall be borne by the purchaser in the event of refusal to accept delivery by the carrier or if the purchaser is unavailable during working days during office hours. The integrity of the product sold is guaranteed by specific strong cardboard packaging for external security, and by cardboard wrap-around supports to prevent internal movement.

## ART. 5. PRICES AND PAYMENTS

The price list is indicative and subject to change; the seller reserves the right to change prices and undertakes to inform the buyer promptly. All prices are in EURO and exclusive of VAT, which shall be applied at the rate in force at the time of invoicing and transport. The purchaser shall make payments according to the terms and conditions specified on the invoice. The invoice date shall not be earlier than the date of dispatch of the goods.

The seller reserves the right to request different payment terms, such as a letter of credit or advance payment. In the event of late payment, the purchaser shall be liable for default interest and, if applicable, legal costs incurred in the collection of the claim.

The seller also reserves the right to suspend or change the terms of payment if, in the seller's sole judgement, the buyer's solvency conditions deteriorate or fail. In the event that the buyer has not yet made payment despite advance payment agreements, the seller may make delivery of the goods conditional on payment of the unpaid invoice, without having to pay any compensation or damages.

The delivered goods shall remain the property of the seller until payment is completed. Otherwise, the seller reserves the right to take back the unpaid goods.

In case of overdraft: if the customer exceeds the commercial overdraft that may have been granted in writing by the Seller, the latter reserves the right to suspend the execution of all orders that exceed the value of the overdraft granted.

#### **ART. 6. WARRANTY ON PRODUCTS**

The seller warrants 5 years on all models for manufacturing defects in hydraulic tightness and corrosion, and 2 years for defects in electrical equipment attached to the products, from the date of registration shown on the nameplate affixed both on the product and on the outside of the packaging. The seller shall replace free of charge any products returned defective during the warranty period for defects in workmanship, material error, and hydraulic tightness.

Products are excluded from the warranty in the following cases defects resulting from improper transport, improper preservation/storage, improper installation, handling and use not in accordance with the technical manuals and operating instructions delivered with the products, electrical connection not carried out in accordance with the instructions in the manual, radiators not properly connected to domestic hot water (for the hydraulic version), repairs or tampering not authorized by the seller, installation by unqualified personnel, operating pressure higher than that indicated in the technical data, incorrect use of electrical equipment, non-domestic use, use other than that indicated in the instructions for use and installation of the radiators, improper cleaning carried out using unsuitable methods or materials, circumstances not attributable to manufacturing defects on the part of the seller, failure to comply with the rules of good workmanship.

The guarantee is limited to the repair or replacement of the defective product, excluding further charges for direct or indirect damages. In order to make use of the warranty, the purchaser must keep the "Certificate of Warranty" which clearly states the name of the seller, the identification details of the product and the date purchase.

These are the guarantee terms for Emmesteel products and no one is authorized to modify them or issue different versions, verbal or written. We hope we have provided you with the necessary information, and we are available for any further clarification you may require.

#### **ART. 7. COMPLAINTS AND RETURNS**

Any objection or claim shall not entitle the buyer to suspend or delay any payment due. The buyer shall not raise any objections or bring any actions against the seller until any outstanding payment, including payment for the goods complained of, has been settled. Procedure for returns: The buyer must promptly notify the seller of the complaint, who will verify the extent of the problem. The seller will provide technical support and services necessary to solve the problem without the need to replace or repair the product sold. In the event of manufacturing defect, material error or hydraulic seal, the return procedure will be applied. The purchaser shall fill in the "Certificate of Warranty" form indicating the defect found on the product and return the product to the seller with original packaging or, if this is not possible, with secure packaging. Non-original packaging will be replaced with original packaging and credited to the buyer by invoice. It is recommended to keep the original packaging until the condition of the product has been verified. The seller shall promptly inform the purchaser of the correspondence between the notified defects and those found. Any damage not corresponding to the buyer's notification shall be credited to the buyer by invoice.

## CERTIFICATO DI GARANZIA

QUESTO CERTIFICATO NON DEVE ESSERE SPEDITO PER LA CONVALIDA. E' VALIDO ED OPERANTE SOLO SE CONSERVATO ASSIEME ALLA RICEVUTA FISCALE O ALTRO DOCUMENTO OBBLIGATORIO.

## WARRANTY CERTIFICATE

THIS CERTIFICATE DOES NOT HAVE TO BE SENT FOR VALIDATION. IT IS VALID AND OPERATIVE ONLY IF KEPT TOGETHER WITH THE TAX RECEIPT OR OTHER COMPULSORY DOCUMENT.

## CERTIFICAT DE GARANTIE

*CE CERTIFICAT NE DOIT PAS ÊTRE ENVOYÉ POUR LA CONFIRMATION. IL EST VALID ET EFFECTIF SEULEMENT S'IL EST CONSERVE AVEC UNE REÇUFISCAL OU UN AUTRE DOCUMENT EXIGÉ.*

## GARANTIEZERTIFIKAT

DIESE BESCHEINIGUNG MUSS NICHT ZUR VALIDIERUNG EINGESANDT WERDEN. IST NUR GÜLTIG UND WIRKSAM, WENN SIE ZUSAMMEN MIT DEM STEUERBELEG ODER EINEM ANDEREN OBLIGATORISCHEN DOKUMENT AUFBEWAHRT WIRD.

## ГАРАНТИЙНЫЙ СЕРТИФИКАТ

ЭТО УДОСТОВЕРЕНИЕ НЕ ДОЛЖНО БЫТЬ ОТПРАВЛЕНО НА ПОДТВЕРЖДЕНИЕ. ОНО ДЕЙСТВИТЕЛЬНО ТОЛЬКО ПРИ УСЛОВИИ ХРАНЕНИЯ ВМЕСТЕ С ФИСКАЛЬНЫМ ЧЕКОМ ИЛИ ИНЫМ ОБЯЗАТЕЛЬНЫМ ДОКУМЕНТОМ.

CONTROLLO DI QUALITA'  
QUALITY INSPECTION  
*INSPECTION DE QUALITÉ*  
QUALITÄTSKONTROLLE  
КОНТРОЛЬ КАЧЕСТВА



DATI TECNICI  
TECHNICAL DATA  
*DONNÉS TECHNIQUES*  
TECHNISCHE DATEN  
ТЕХНИЧЕСКИЕ ДАННЫЕ