

BEFORE STARTING ASSEMBLY MAKE SURE ALL COMPONENTS LISTED ARE IN THE PACKAGE

Important safety instructions

All of the safety and operating instructions should be read, adhere to and followed before the unit is operated.

1. Precaution Before Installation

- Warnings
- Caution
- Operating Instruction
- Care and Maintenance
- Warranty

2. Installation

- Included Components
- Tooling Required
- Electrical Info
- Parameter
- Installation Diagram

TRADITIONAL T-2040

INSTALLATION INSTRUCTIONS



WARNINGS

PLEASE READ THE FOLLOWING INFORMATION BEFORE INSTALLING AND USING YOUR HEATED TOWEL RACK.

- These units should be installed by a certified electrician in accordance with the National Electrical Code (NEC) and the Canadian Electrical Code (CEC).
- The unit requires a 115 volt, 60Hz power source and should be installed on a GFCI protected circuit.
- Follow installation instructions to ensure unit is securely fixed to wall. Unit is designed for drying towels. Under no circumstances should anybody climb on or hang on unit.
- The unit must be installed in an upright position with the wire cover tube/junction box being positioned at the bottom.
- Unit is intended for indoor use only. Do not place units inside a shower, sauna, steam room, or wherever unit would be exposed to water.
- **To reduce the risk of electric shock, burns, fire or injury:**
- Close supervision is necessary when this unit is used near children or disabled persons.
- Use this unit only for its intended use as described in this manual.
- Do not use outdoors.
- Do not operate with a voltage converter.
- Do not touch hot surfaces.
- Do not use accessories or attachments not recommended by the manufacturer as this may cause injuries.

CAUTION

- As this is a heating device, the surface temperature can increase depending on the ambient temperature in the room and the number of towels applied to the unit.
- The fasteners provided with the installation kit are for convenience only and are not suitable for all installation conditions.
- It is the ultimate responsibility of the installer to ensure proper mounting hardware is employed in attaching the unit to the wall.

OPERATING INSTRUCTION

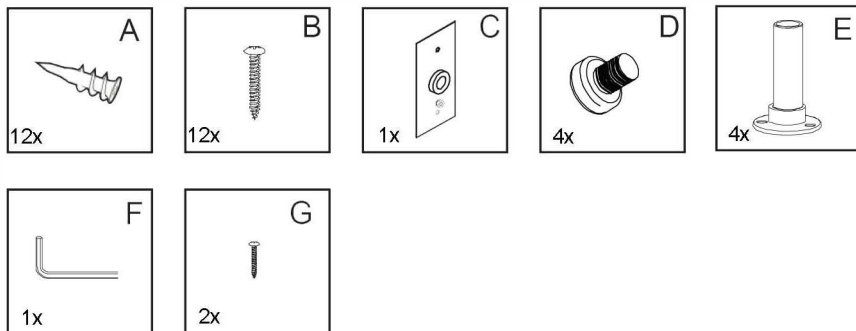
- After installation, connect the electric power.
- Turn on the wall switch and towel warmer will start to heat- Allow 30-40 minutes to heat up.
- This towel warmer has been designed to run continuously- turn off at wall switch when the towel warmer is not in use for long periods of time.

CARE & MAINTENANCE

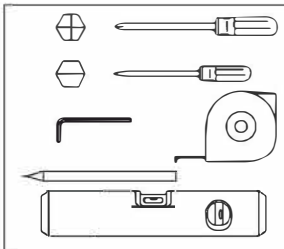
- Towels which contain soap or detergent residue may appear to have scorch marks; this is simply discoloration of the residue in the towels themselves.
- The unit is constructed from extremely durable low carbon steel. To maintain a good appearance, follow these simple instructions:
- For routine cleaning, simply switch off the unit, allow to cool to room temperature, wipe with a damp cloth and buff with a soft, dry cloth.
- Under no circumstances should abrasive cleaners be used to clean the unit.
- If the product is damaged, do not repair by yourself, please return to the maintenance center for repair.

SAVE THESE INSTRUCTIONS FOR REFERENCE

INCLUDED COMPONENTS



TOOLS REQUIRED



ELECTRICAL INFO

150 watts	1.3 amps	115 volts
--------------	-------------	--------------

WARRANTY

Two year limited warranty with proof of purchase will apply if all Terms and Conditions of Sale are met and Installation Instructions are adhered to.



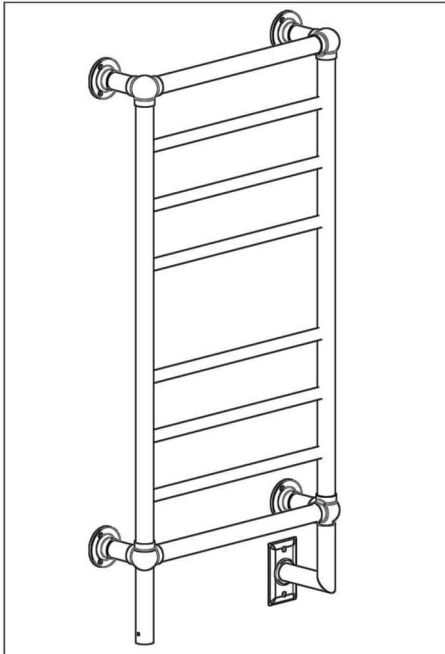
FOR FULL WARRANTY VISIT:
www.ambaproducts.com/warranty

TRADITIONAL T-2040



INSTALLATION INSTRUCTIONS



PARAMETER

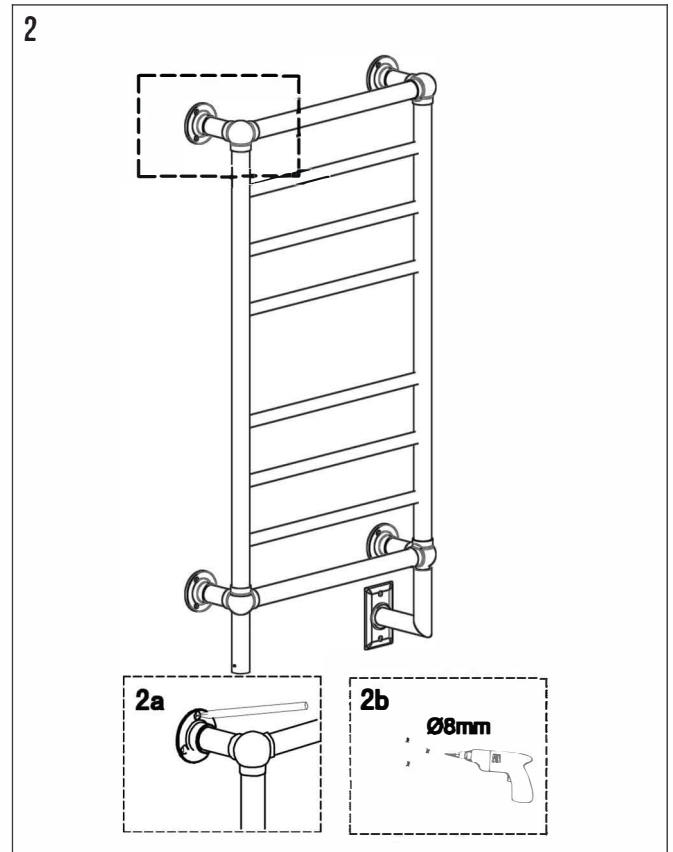
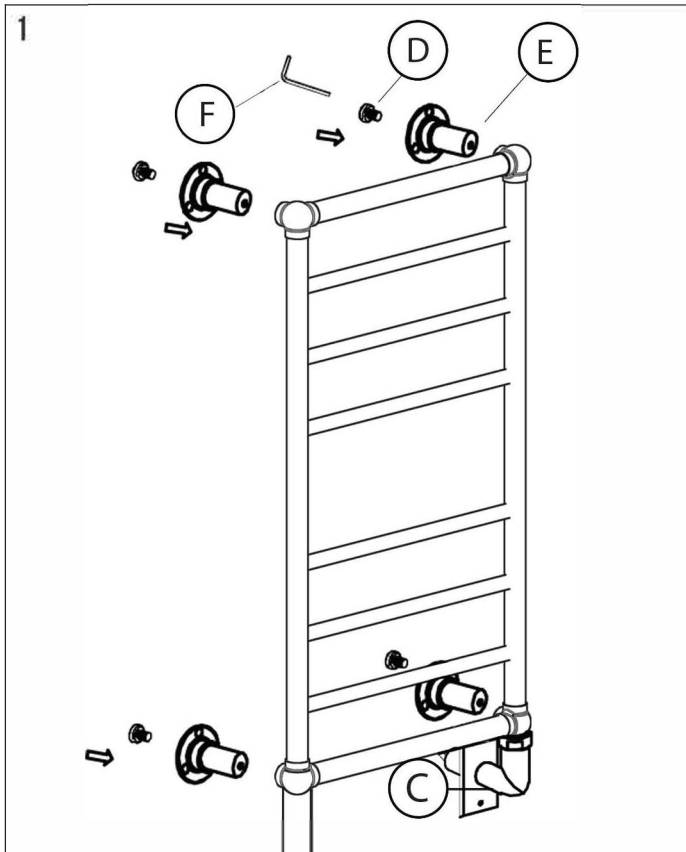


Liquid-filled models MUST be installed with the wire cover tube / junction box being positioned at the bottom.

 <p>CONFORMS TO UL STD. 499 CERTIFIED TO CSA STD C22.2 NO. 64 Towel Warmer Model: T-2040 Rated voltage: 115V~ Rated frequency: 60Hz Rated power input: 150W Serial No.: (周) XXJ (年) XX</p>	 <p>CAUTION: HOUSEHOLD USE ONLY DO NOT IMMERSE IN WATER HOT SURFACE AVOID CONTACT UTILISATION DU MÉNAGE SEULEMENT NE PAS PLONGER DANS L'EAU SURFACE CHAUDE ÉVITUE CONTACT</p>
--	--

CONTACT

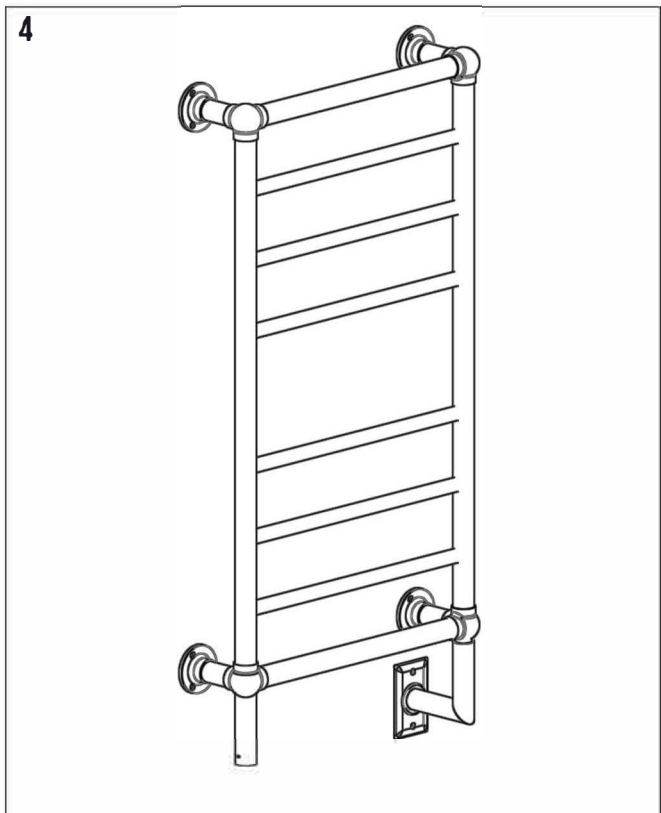
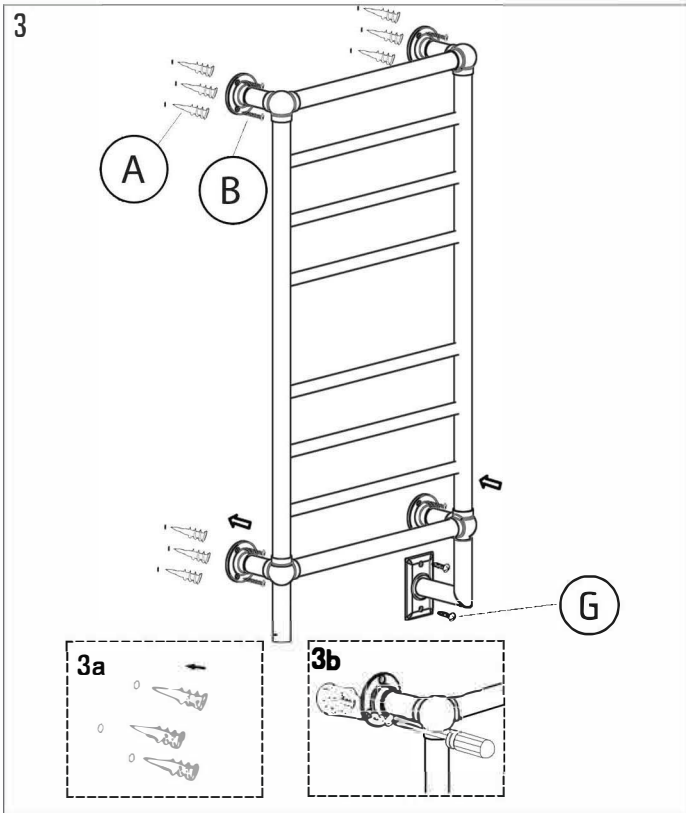
<p>TEL: 404-3509738</p>	<p>AVAILABLE MODELS</p>
<p>FAX: 404-3550166</p>	<p>T-2040 PN T-2040 BN</p>
<p>EMAIL: customerservice@ambaproducts.com</p>	<p>P-Polished Nickel B-Brushed Nickel</p>
<p>WEB: www.ambaproducts.com</p>	



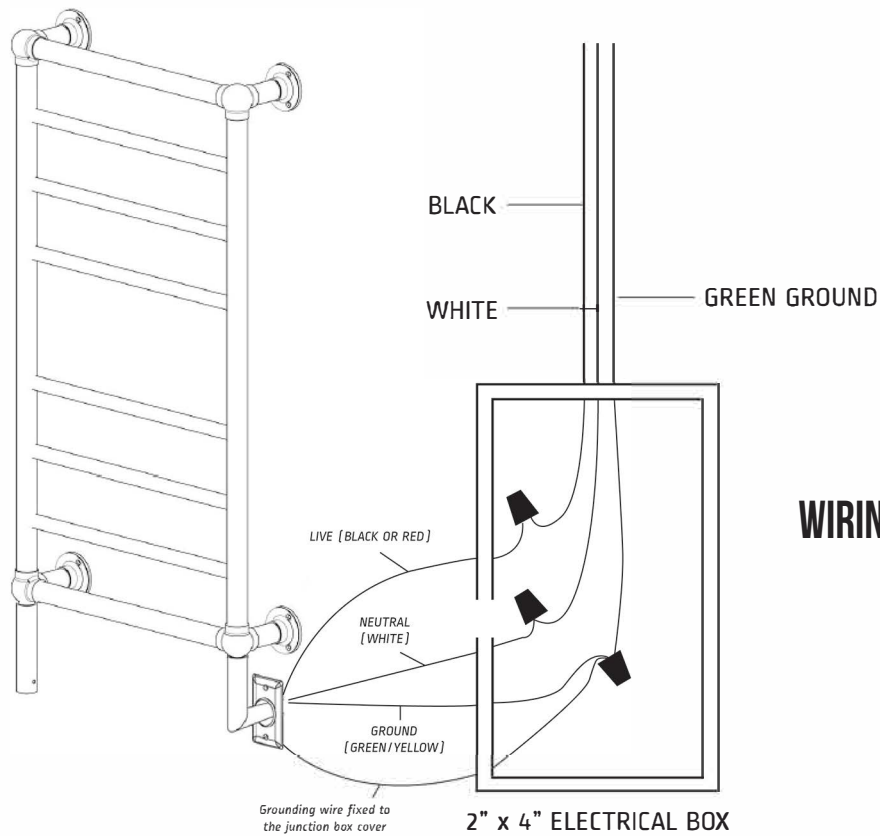
! CAUTION — SURFACE OF UNIT IS HOT WHEN ON !

TRADITIONAL T-2040

INSTALLATION INSTRUCTIONS



Unit must be wired to an on/off switch [not included]
Make sure one is provided for installation.



WIRING DIAGRAM

! CAUTION — SURFACE OF UNIT IS HOT WHEN ON !