

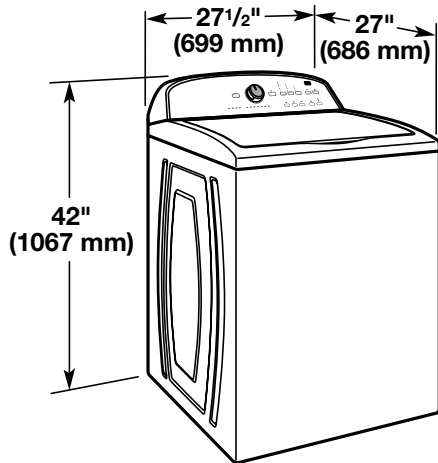


Top-Loading Automatic Washer

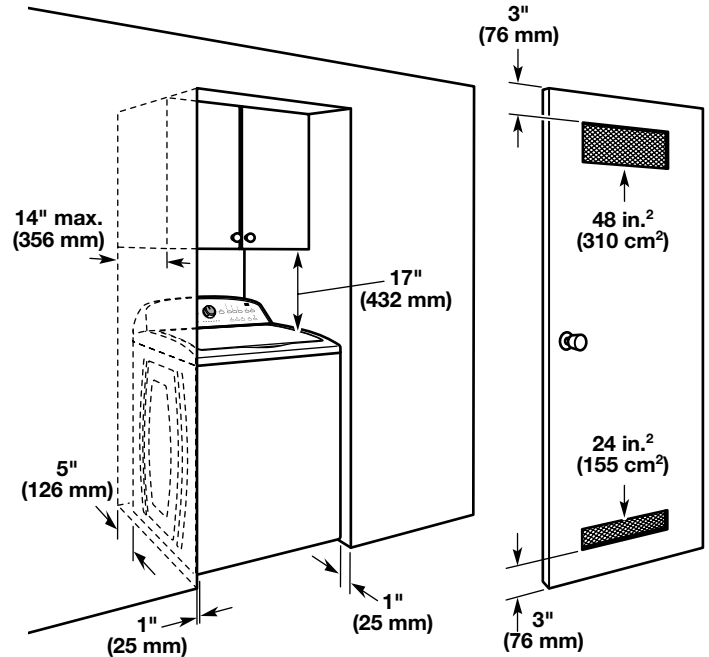
PRODUCT MODEL NUMBERS

NTW4501X, NTW4601X, NTW4600Y, NTW4610Y, NTW4630Y, NTW4650Y, NTW4700Y, NTW4750Y, NTW4601B, NTW4611B, NTW4631B, NTW4651B, NTW4701B, NTW4605E, NTW4635E, NTW4655E, NTW4705E, NTW4755E, NTW4516F

Washer dimensions



Recessed area or closet installation



Dimensions show recommended spacing allowed, except for closet door ventilation openings which are minimum required. This washer has been tested for installation with spacing of 0" (0 mm) clearance on the sides. Consider allowing more space for ease of installation and servicing, and spacing for companion appliances and clearances for walls, doors, and floor moldings. Add spacing of 1" (25 mm) on all sides of washer to reduce noise transfer. If a closet door or louvered door is installed, top and bottom air openings in door are required.

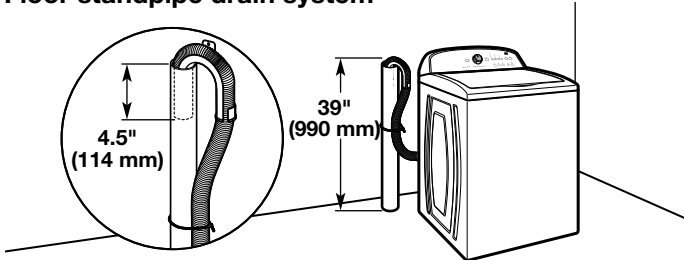
ELECTRICAL REQUIREMENTS

A 120 volt, 60 Hz., AC only, 15- or 20-amp, fused electrical supply is required. A time-delay fuse or circuit breaker is recommended. It is recommended that a separate circuit serving only this appliance be provided.

DRAIN SYSTEM

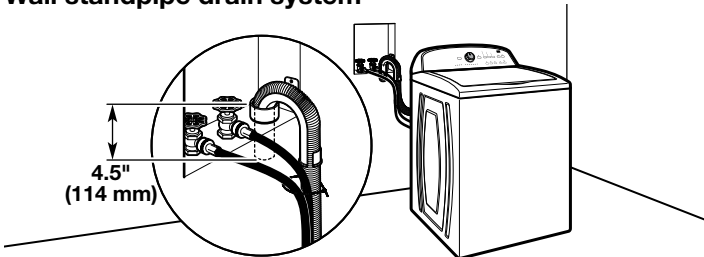
Drain system can be installed using a floor drain, wall standpipe, floor standpipe, or laundry tub. Select method you need.

Floor standpipe drain system



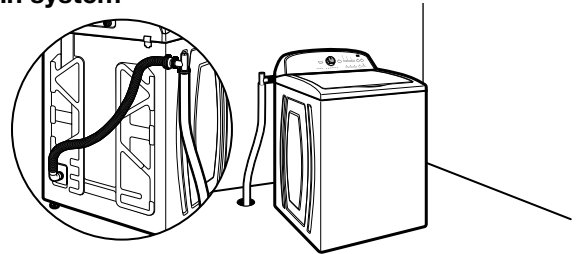
Minimum diameter for a standpipe drain: 2" (51 mm). Minimum carry-away capacity: 17 gal. (64 L) per minute. Top of standpipe must be at least 39" (990 mm) high; install no higher than 96" (2.44 m) from bottom of washer. If you must install higher than 96" (2.44 m), you will need a sump pump system.

Wall standpipe drain system



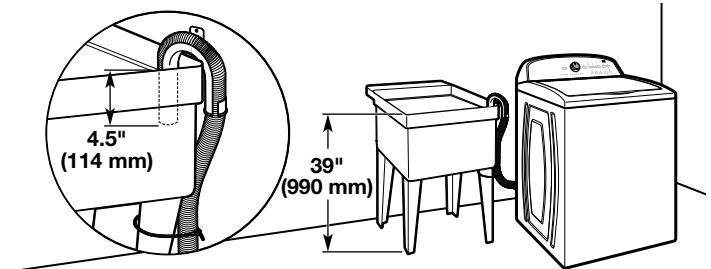
See requirements for floor standpipe drain system.

Floor drain system



Floor drain system requires a Siphon Break Kit (Part Number 285834), 2 Connector Kits (Part Number 285835), and an Extension Drain Hose (Part Number 285863) that may be purchased separately. To order, please see toll-free phone numbers in your Use and Care Guide. Minimum siphon break: 28" (710 mm) from bottom of washer. (Additional hoses may be needed.)

Laundry tub drain system



Minimum capacity: 20 gal. (76 L). Top of laundry tub must be at least 39" (990 mm) above floor; install no higher than 96" (2.44 m) from bottom of washer.

IMPORTANT: To avoid siphoning, no more than 4.5" (114 mm) of drain hose should be inside standpipe or below the top of wash tub. Secure drain hose with cable tie.



6.5 cu. ft. Gas Dryer

NGD4655E



White
NGD4655EW

Capacity

Total 6.5 cu. ft.

General Features & Properties

11 Dryer Cycles

3 Temperature Settings

Reversible Door

Electrical Details

Hz 60

Amps 15 or 20

Volts 120

Technical Details

Drum Material Powder Coat

Fuel Type Gas

Door Style Side Swing

Reversible Door Yes

Number of Dryer Cycles 11

Selection of Drying Cycles
10 min Air Dry
20 min Air Dry
AutoDry - High
AutoDry - Low
Automatic Dry
Energy Preferred
Less Dry
More Dry
Timed Dry 20
Timed Dry 40
Timed Dry 60

Dryer Option Selections
Temp High
Temp Low

Dimensions

Product Dimensions (H x W x D) 42-11/16" x 29" x 28-3/8"

Depth with Door Open 90° 50-11/16"

Maximum Vent Length 64'

Venting Direction Rear Only

Ventless No

Reference Material

[Dimension Guide](#)

[Install Guide](#)

[Use & Care Guide](#)

[Warranty](#)

Key Features & Benefits

Automatic Dryness Control

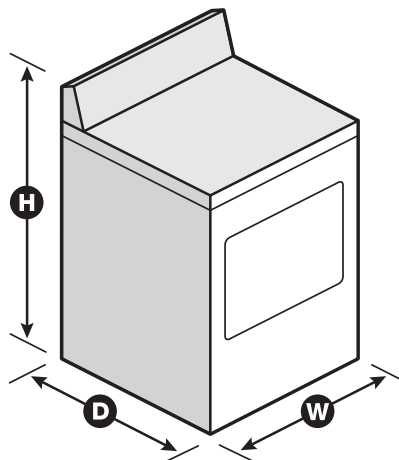
Automatic Dryness Control uses temperature sensors to end the cycle at the right time to help prevent overdrying, so favorite items like comfy sweatpants get just the perfect dry.

Wrinkle Prevent Option

When you can't fold right away, use the Wrinkle Prevent Option. It tumbles clothes intermittently without heat to help prevent creases and crinkles from settling in.

6.5 Cu. Ft. Capacity

6.5 cu. ft. Capacity can help take a load off your mind.



NOTE: Dimensions are for planning purposes only. For complete details, see Installation Instructions packed with product. Specifications subject to change without notice.

®/™ © 2020. All rights reserved. Printed in the U.S.A. D200104XXD. NGD4655ESpecSheetV01.