

# Amana® Undercounter Dishwasher

## PRODUCT MODEL NUMBERS

ADB1700AD

**Electrical Requirements:** 120-volt, 60 Hz, AC-only, 15- or 20-amp. fused electrical supply. Copper wire only. A time delay fuse or circuit breaker and separate circuit is recommended.

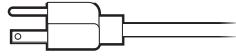
**If direct wiring dishwasher:** Use flexible, armored or nonmetallic, sheathed copper wire with grounding wire that meets the wiring requirements for your home and local codes and ordinances.



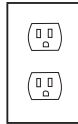
Use a UL Listed or CSA Approved conduit connector.

**If connecting dishwasher with a power supply cord:**

Use power supply cord kit (Part Number 4317824) marked for use with dishwashers. Follow the kit instructions for installing the power supply cord.



Power supply cord must plug into a grounded three-prong outlet located in the cabinet next to the dishwasher opening. Outlet must meet all local codes and ordinances.



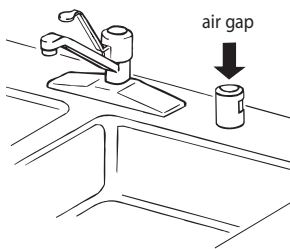
**Water Supply Requirements:** A hot water line with 20 to 120 psi (138 to 862 kPa) water pressure. Water temperature must be 120°F (49°C) water at dishwasher. Use 3/8" O.D. copper tubing with compression fitting or flexible braided water supply line

**Note:** 1/2" minimum plastic tubing is not recommended.

Use a 90° elbow with 3/4" hose connection with rubber washer (part number W10273460). Do not solder within 6" (15.2 cm) from water inlet valve.

**Drain Requirements:** A new drain hose is supplied with your dishwasher. If this is not long enough, use a new drain hose with a maximum length of 12' (3.7 m) (Part No. 3385556) that meets all current AHAM/IAPMO test standards, is resistant to heat and detergent, and fits the 1" (2.5 cm) drain connector of the dishwasher.

Make sure to connect the drain hose to waste tee or disposer inlet above drain trap in house plumbing and 20" (50.8 cm) minimum above the floor. It is recommended



that the drain hose either be looped up and securely fastened to the underside of the counter, or be connected to an air gap.

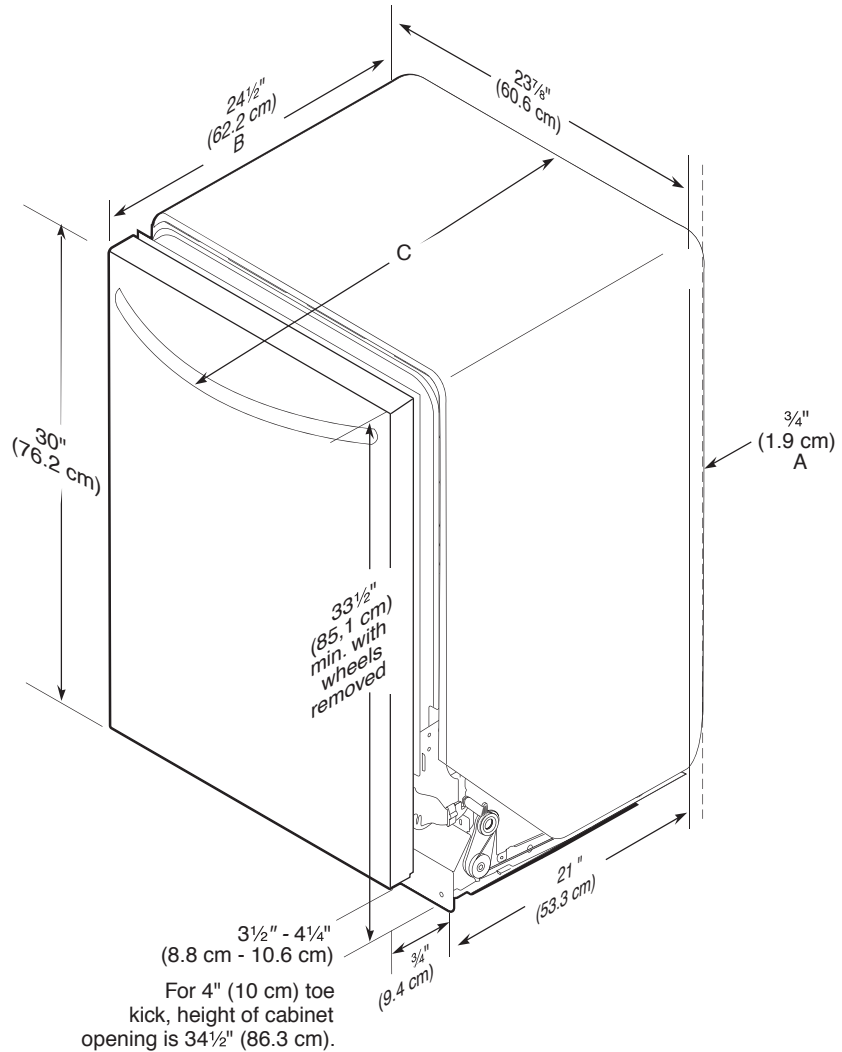
Make sure to use an air gap if the drain hose is connected to house plumbing lower than 20" (50.8 cm) above subfloor or

floor.

Use 1/2" (1.3 cm) minimum I.D. drain line fittings.

If required, the air gap should be installed in accordance with the air gap installation instructions. When connecting the air gap a rubber hose (not provided) will be needed to connect to the waste tee or disposer inlet.

## PRODUCT DIMENSIONS



- A. Insulation may be compressed (not used on all models).
- B. For panel-ready models, dishwasher depth is 24" (60 cm) not including the 3/4" (1.9 cm) custom door panel.
- C. Door handles may protrude forward of the face of the dishwasher; varies by model.

## CABINET CUTOUT DIMENSIONS

**NOTE:** Shaded areas of cabinet walls show where utility connections may be installed.

\*Measure from the lowest point on the underside of the countertop. May be reduced to 33½" (85.1 cm) by removing the rear leveling legs from dishwasher.

\*\*Minimum, measured from narrowest point of opening.

