

ALTAIR
FASHION BATHROOM LIFE

Installation Manual For LED Mirror Cabinet


(Suitable for the touch switch products installation by hanging bar or hardy hold)

763036-LED-MC 763032-LED-MC

Notes: to ensure the normal use of products, it is required set out wires as per the regulations of IEE at the installation places. The products are only applicable to be installed on the indoor. The installation must be executed by a professional electrician, wrong installation may lead to product damage and personal injury.


IMPORTANT SAFETY INSTRUCTIONS

When using an electrical furnishing, basic precautions should always be followed, including the following:

 **WARNING:** To reduce the risk of burns, fire, electric shock or injury to persons. Use this furnishing only for its intended use as described in these instructions. Do not use attachments not recommended by the manufacturer. Never drop or insert any object into any opening. Do not use outdoors.

① The mirror cabinet is very heavy, to avoid personal injury, please do not lift or install it alone.

② Before installing the product, to avoid personal injury caused by glass damage please check whether the product is broken .

 **WARNING:** Risk of electric shock. Connect this furnishing to a properly grounded circuit only. See grounding instructions.

① The internal partition of the mirror cabinet shall bear no more than 2KG per layer.

② The maximum current of the USB and the socket inside the mirror cabinet is 7A.


ELECTRIC CONNECTIONS


ALL WIRING SHOULD BE DONE BY A QUALIFIED LICENCED ELECTRICIAN.

 **WARNING:** Shut off power before wiring the cabinet.

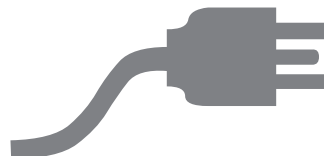
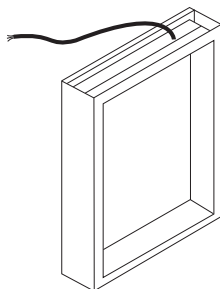
 **CAUTION:** Requires 120 VAC 20 Amp GFI protected Circuit.

GROUNDING INSTRUCTIONS:


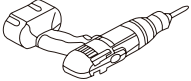

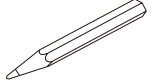

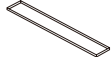

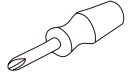



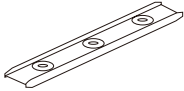
 **CAUTION:** This product must be connected to a grounded metal permanent wiring system or an equipment-grounding conductor must be run with the circuit conductors and connected to the equipment grounding terminal or lead on the product.

 **WARNING:** An Electrical option cabinet must be wired to a 20 Amp GFI (Ground Fault Interrupter) protected circuit when used in bathrooms and all other locations required by the National Electric Code.

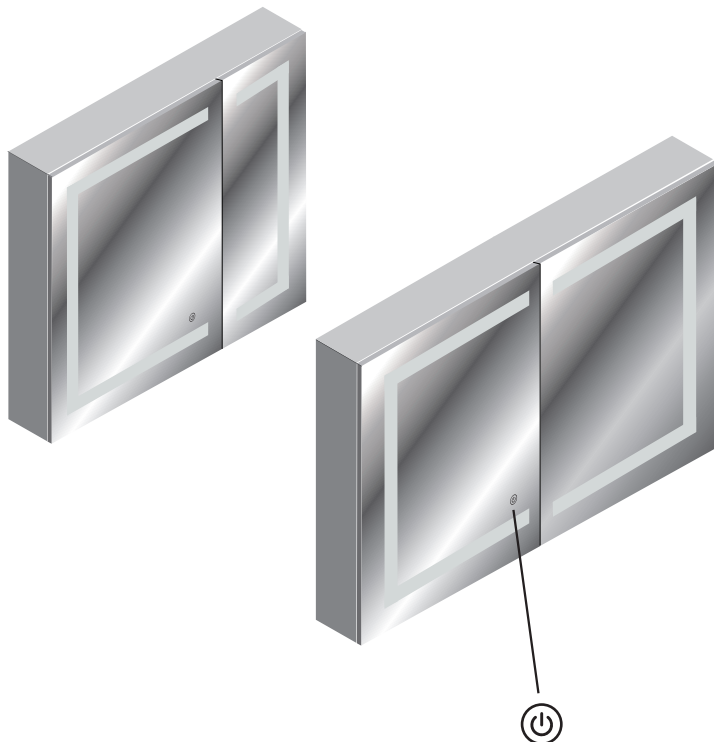
The electric wire comes through the access hole on the top of the cabinet.



HARDWARE AND TOOLS

Hardware				Tools (not includes)		
NO.		Draw	QTY(pcs)			
A	Hardware screw		4-10			
B	Glass side panel		2	Electric Drill	1/8" Drill Bit	Pencil or Marker
C	Glass Shelf		2			
D	Shelf support bracket		6			
E	Wall Plug		4-10	Screw Driver	Tape Measure	Toothless flat nose plier
						
				Lever		

USE AND MAINTENANCE



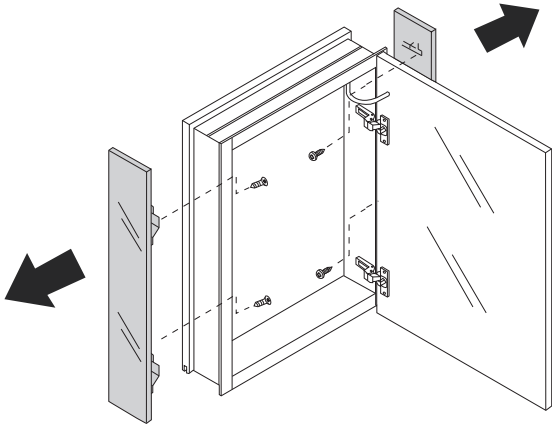
Short press to turn on/off, and change the colors of light
 Long press to adjust the brightness.

ATTENTION:

DO NOT lift the medicine cabinet from the door panels as it can be damaged and/or break the mirrors. Instead hold the medicine cabinet from the Aluminum frame when installing.

PRIOR TO MOUNTING

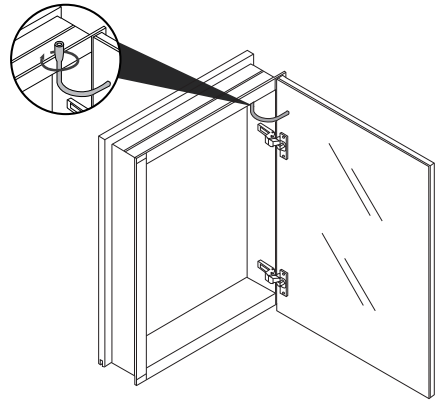
1



For recess mount only!

Carefully remove side mirror panels for recess mount installation.

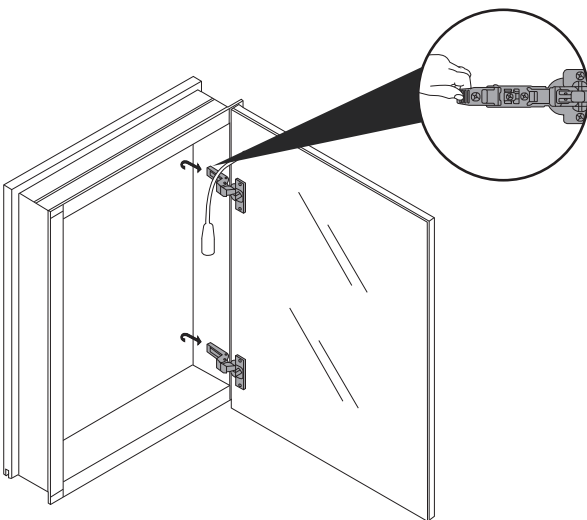
2



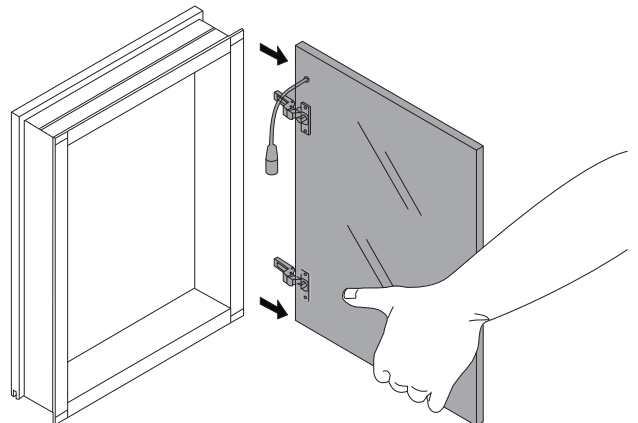
It is not necessary to remove the door, if the size is large, you can choose to remove doors for easy mounting

Remove door(s) prior to mounting your cabinet. Start with unplugging the door from the cabinet.

3



4

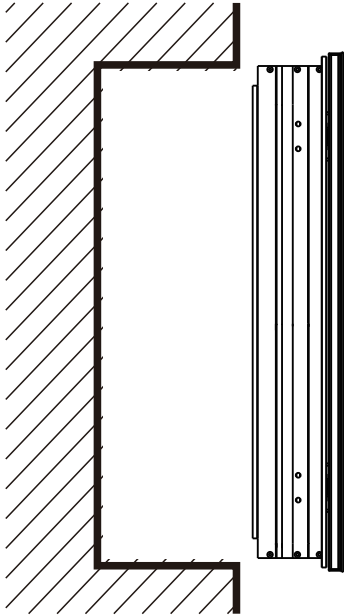


While supporting the door release (the lever under the hinge arm), slide the door off the frame.

Take off the door(s) carefully and lay it down on a safe area.

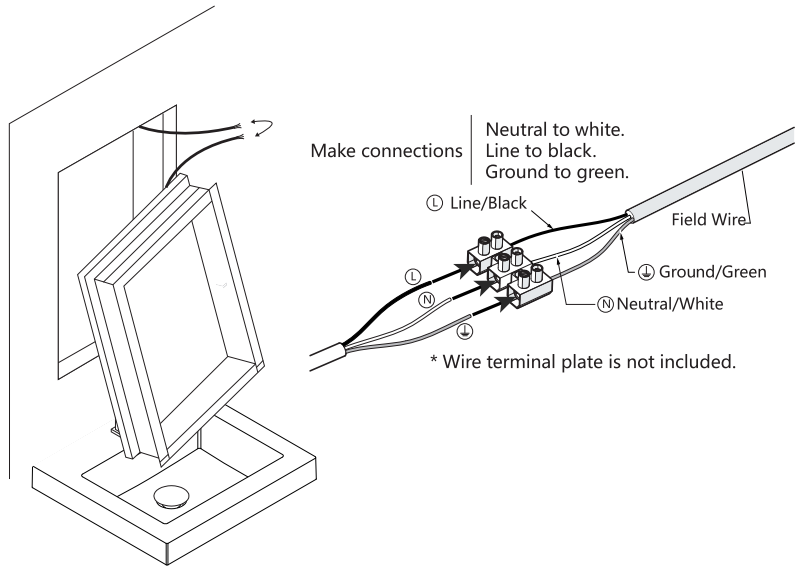
RECESS MOUNT INSTALLATION CONTINUED

1



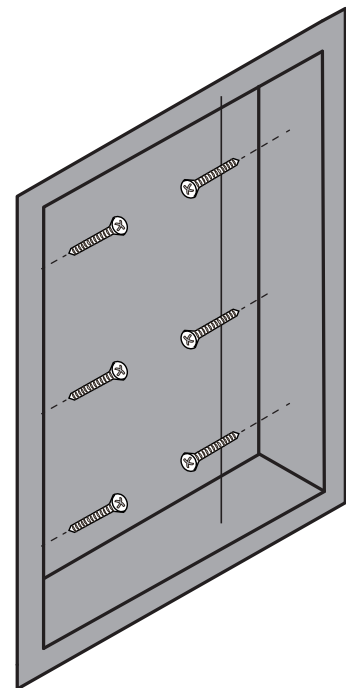
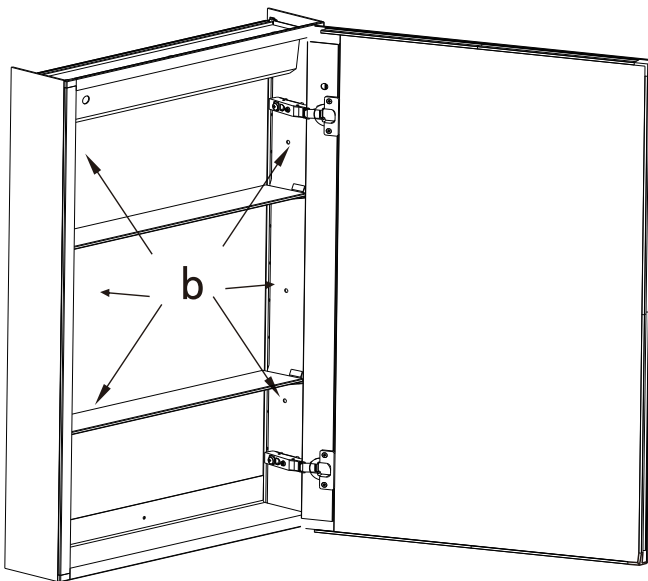
Frame the opening for the cabinet based on the measurements.

2



Connect electrical wires before inserting the cabinet into the opening.

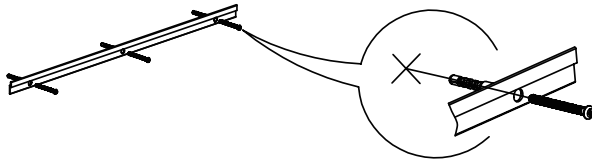
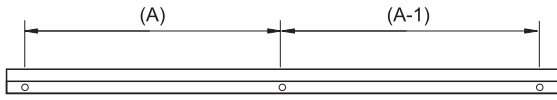
3



Affix using hardware screws into the studs.

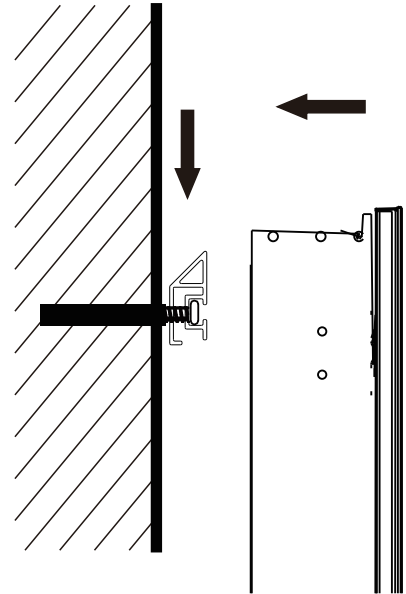
SURFACE MOUNT INSTALLATION

1

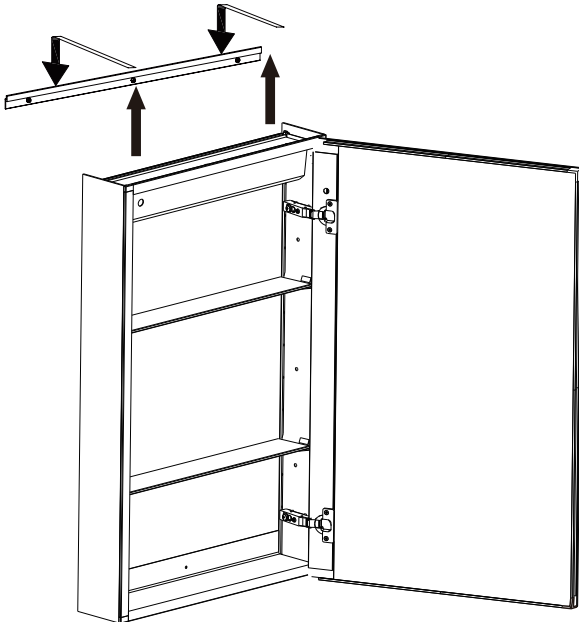


Measure the distance between the 2 marks.
Level&mark the drilling holes on the wall.
Put the aluminum bracket aside.

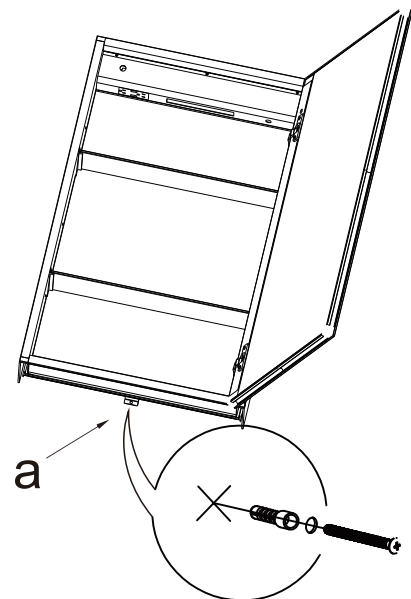
2



3



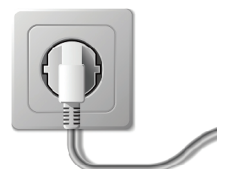
4



Drilling the screws into this bracket to hold
on the cabinet on the wall.

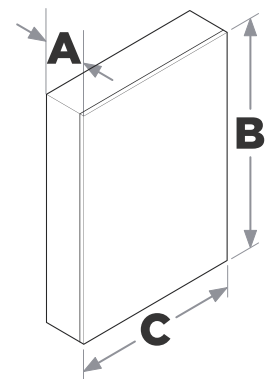
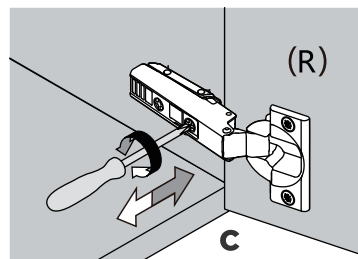
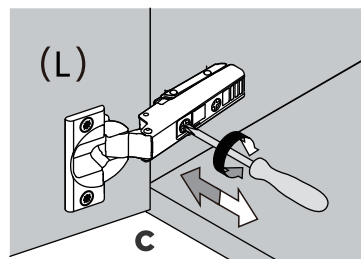
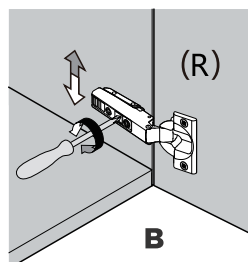
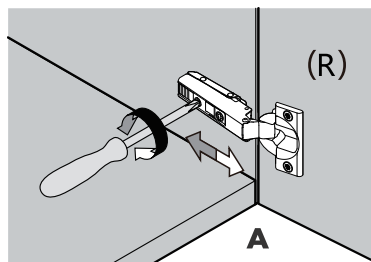
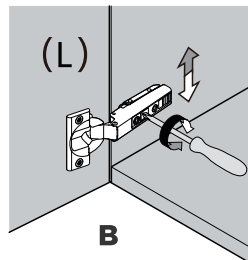
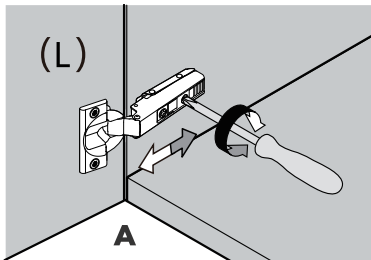
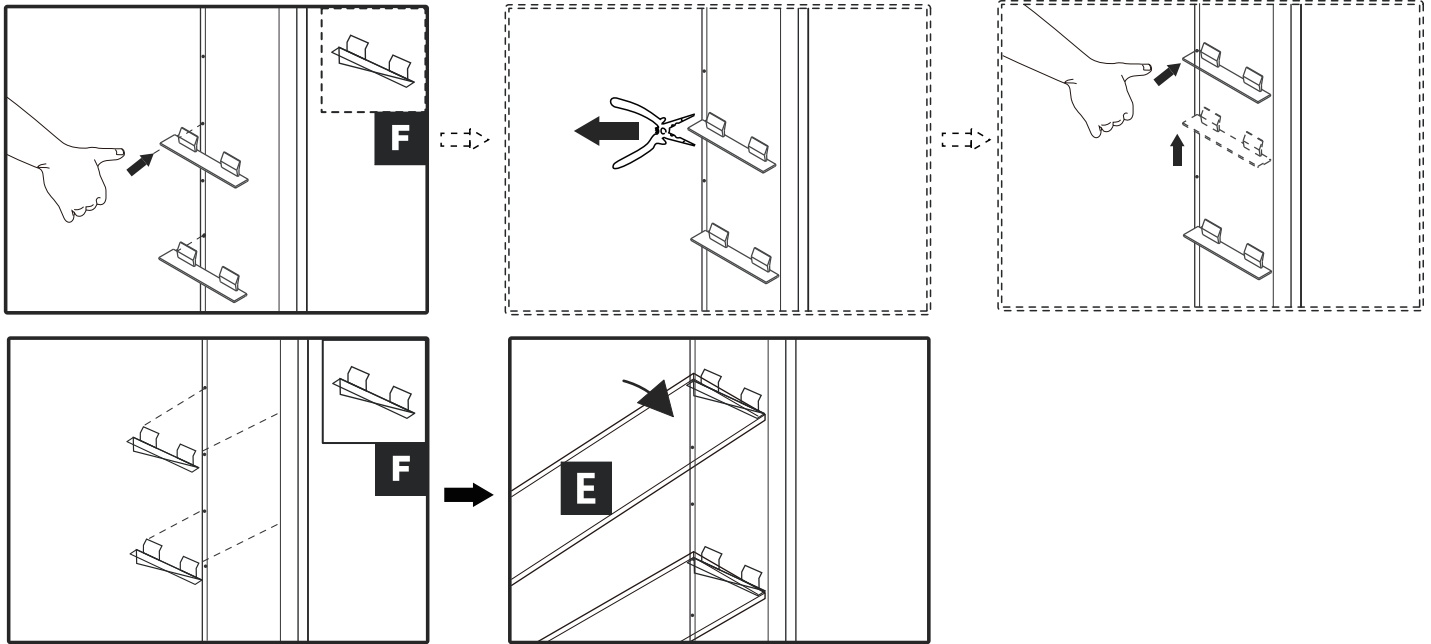
Pick up the mirror cabinet with two people. Place the cabinet against the wall & slide down the mirror so the aluminum bracket safely gets inside the cabinet's top frame.

Use the built-on plug to connect to power directly.
When the Plug is connected to the power supply, the ON/OFF button
Lights white and the power is on.



FINAL ASSEMBLY

1. Insert clear snap in shelf clips (F) into holes on the sides of the cabinet cabinet.



OPTIONAL DOOR ADJUSTMENT

Doors may need to be adjusted after the initial shipping of the cabinet. The cabinet doors have a three-way adjustment feature. Height, side-to side, level and depth can be adjusted. With the hinge slightly closed you can access the middle screw for up/down adjustment.

With the hinge fully extended you can access the front and back screws. These screws will move the door side to side and in and out