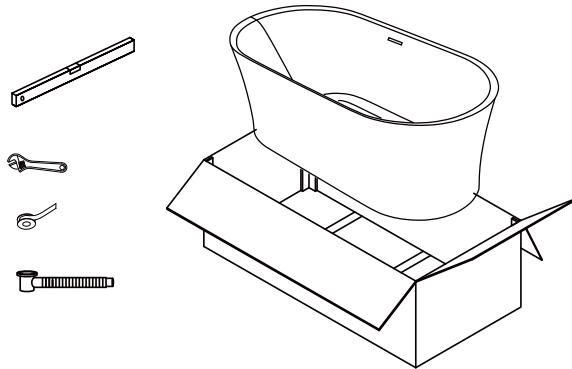


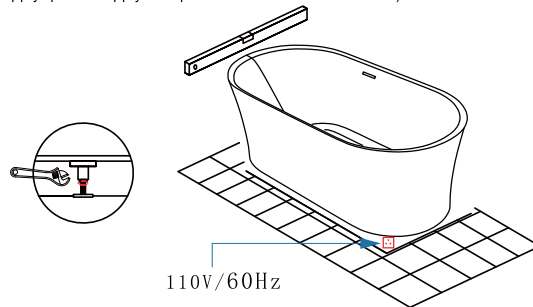
Air bubble bathtub Installation instructions

The product is CUPC certified
 Original certification model code: D-8313-170 File No. 7974

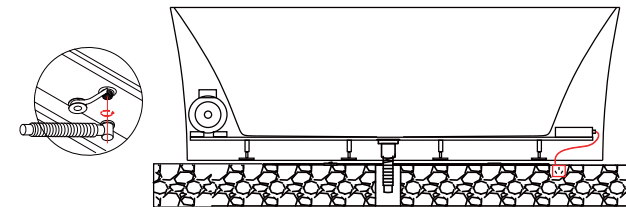
1. Remove the bathtub from the packing box and prepare the following installation tools and accessories: level ruler, adjustable wrench, raw tape, drain hose (distribution).



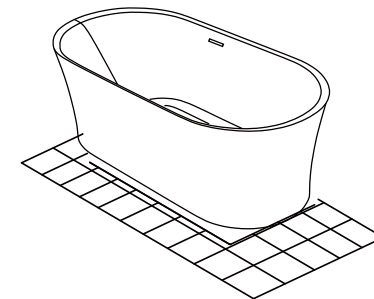
2. Move the bathtub to the selected installation position (make sure that the bathtub is installed in the location where the board has sufficient load capacity) and place it in the proper direction and orientation. Then use a level ruler to check the level of the bathtub surface. If it is not horizontal, lift one end of the bathtub and loosen the adjusting nut of the foot as shown in the gure. After adjusting the foot to a suitable position, reversely lock the foot. (Suitable power supply power supply is required for installation of bathtub)

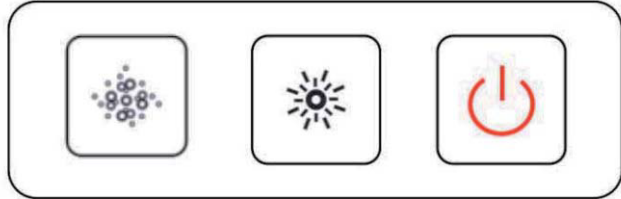


3. Install the drainage hose according to the method shown in the gure (the connection between the oor drain and the drainage hose should be wrapped with a proper amount of raw tape to better seal the water). And insert the drain hose into the reserved drain pipe. (Power is connected well)



4. Fill water and use (note: do not fill the water too full).





Power button/unlock button



Light button



Air pump button

Function Description:

The bathtub has two functions and is set by the configuration resistance on the panel.
With light, air pump.

Turn on/ unlock

1. In the off state, press the turn on/ unlock button, the system starts, the button indicator light is on and the system keep opening at a set time of 60 minutes, after 60 minutes all of the system will be closed. In the power-on state, each key operation is updated with a time of 60 minutes. When turn on/ unlock button is turned on and the key is not locked, the backlights of button is red.
2. In the power on state and there is no key operation for 10 seconds. All of the buttons are automatically locked. The turn on/unlock button ashes in the red backlight. After locking all the buttons are not in service. Press and hold the turn on/unlock button for 2 seconds to unlock the keyboard, and the button operation returns to normal.

Turned off

1. Press the turn on/unlock button when the power is on and the keyboard is not locked, the system is turned off.
2. System automatically shuts down when the regular time(60 minutes) is arrived.

Air pump control

In the power on state, when the water is full, press the air pump key to start the air pump; press the air pump key again to close. In the working state of the air pump, the lack of water is detected and the air pump will be turned off; press the air pump button in the state of water shortage, the air pump will automatically stop after 5 minutes working. In the power on state, the key backlight is red when the air pump is working, otherwise it is white light.

Underwater light control

Press the light button when the power is turned on, the light key backlight turns white when the underwater light turn off, Press the underwater light button to turn on again and the backlight change to be red.

Communication failure tips

1. The communication data is not received on the panel for more than 10 seconds. it indicates that there is a problem with the line and the white light is on.
2. When the host computer receives the data, the indicator light on the control panel ashes. If no data is received, the indicator lights up.

Power rating

LED light (AC12V/5W)		Air bubble Bath (Air Pump) (AC110V/400W)			
-------------------------	--	---	--	--	--