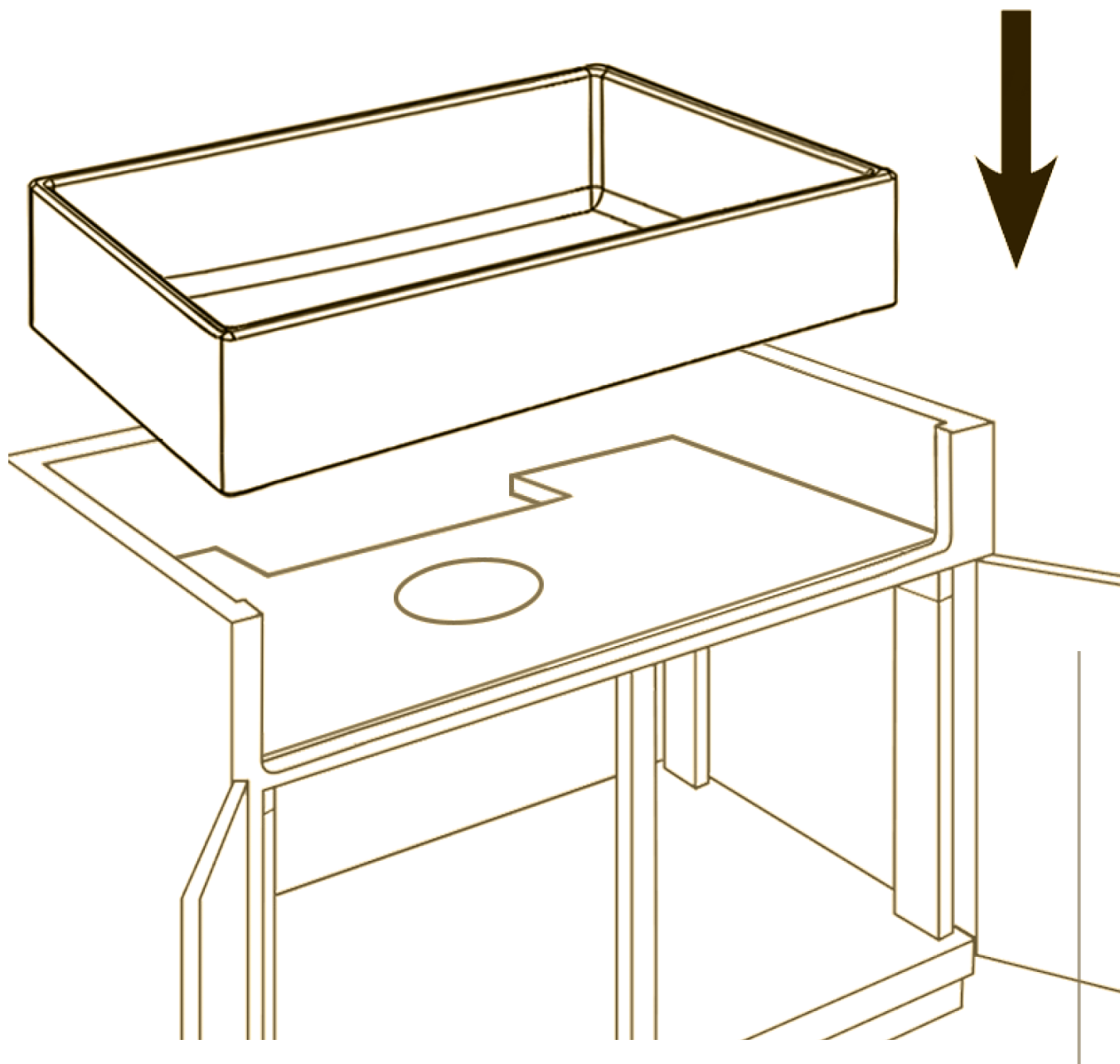


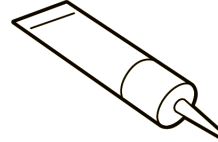
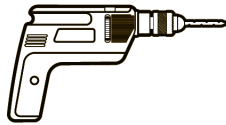
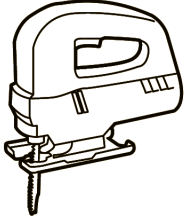
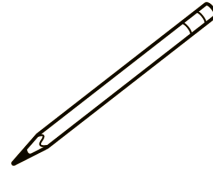
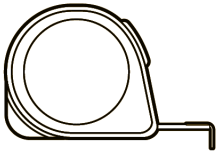
ALTAIR

INSTALLATION INSTRUCTIONS

CERAMIC FARMHOUSE KITCHEN SINK



TOOLS



Painter's Tape

Level

Framing Square | Shims or Cabinet Fillers | Clamps

Construction Adhesive Sealant

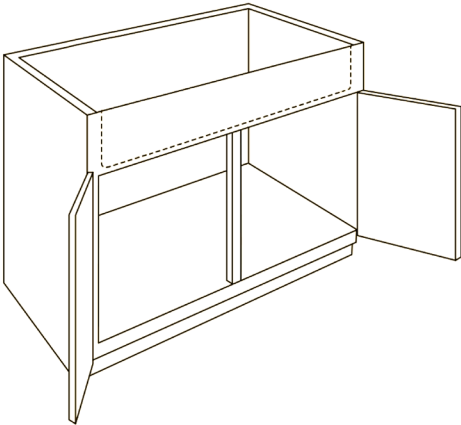
(stone, marble, and granite silicone caulk are recommended)

Support Framing Material (1 1/4 inch (32mm) Max Thickness)

Screws (recommended by countertop manufacturer)

INSTALLATION INSTRUCTIONS

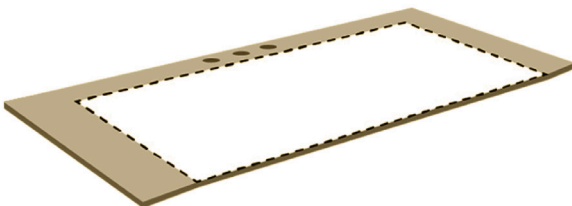
STEP 1 BASE CABINET PREPARATION



- Measure the size of the sink, including the front apron. Cut the face of the cabinet to allow the sink to slide in.
- Use painter's tape for marking and cutting purpose to protect the cabinet and sink from damage.

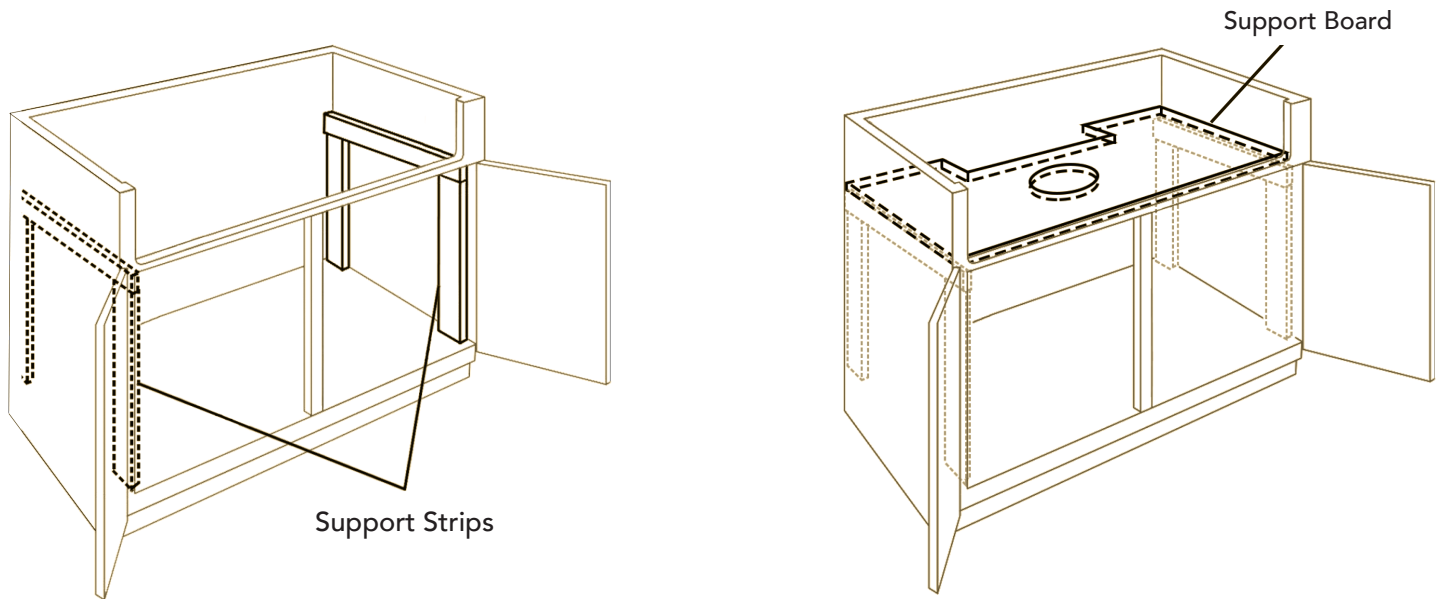
IMPORTANT: Due to the dimensional variation from the ceramic manufacturing process, We do not offer the cutout template for sinks. It is essential that prior to installation, you discuss with your installer and agree on the final appearance. Cabinet should NOT be cut or fabricated without the sink.

STEP 2: COUNTERTOP PREPARATION



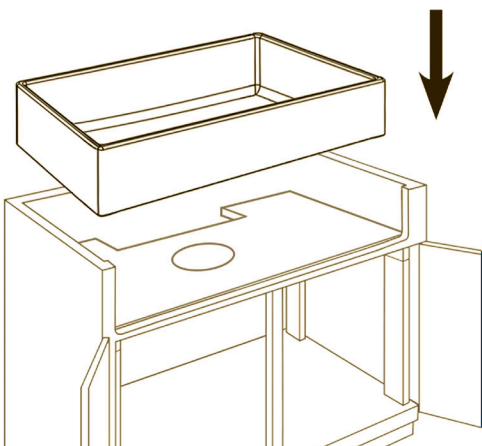
- Measure the size of the sink, including the front apron. Cut the counter top to allow the sink to slide in.

STEP 3: CABINET/SUPPORT FRAME CONSTRUCTION



- This step is to ensure that the bottom of the sink has enough support.
- Construct a wood support frame to fit inside the cabinet opening. Allow adequate clearance for the water supply lines and drainage system.
- The recommended support frame design is shown in the illustration on the left, which consists of four vertical supporting strips, two horizontal supporting strips and one supporting board. Due to the variety of installations possible with this sink, your installer may suggest a different support frame design.

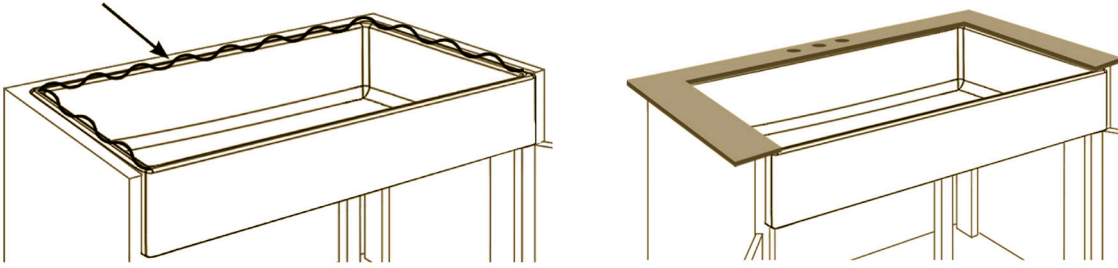
STEP 4: SINK INSTALLATION



- Using two people, carefully place the sink in place. Verify that the sink can fit in the cabinet opening and rest properly on the supporting system. Make a small adjustment to fit as necessary.
- Verify the overall appearance and check for levelness to ensure correct drainage.

IMPORTANT: Risk of personal injury or product damage. Handle with care. The product can break, chip, cause injury or product damage.

STEP 5: COUNTERTOP INSTALLATION



- After cleaning, apply a bead of silicone sealant between the top flange (or lip) of the sink and the countertop to create a watertight seal. Clean excess silicone immediately. Verify the overall appearance and check for levelness to ensure correct drainage.
- Carefully place the countertop and verify that it is level.

FINAL STEPS

Connect water supply and drainage system per manufacturer's instructions.
Run water to test for leakage.