

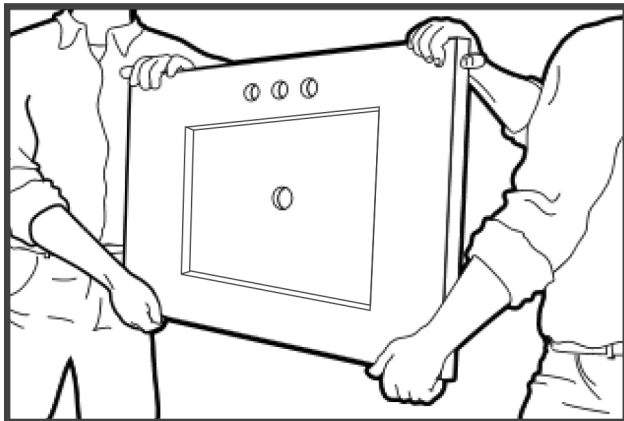
VANITY TOP INSTALLATION INSTRUCTIONS

Unpacking The Vanity

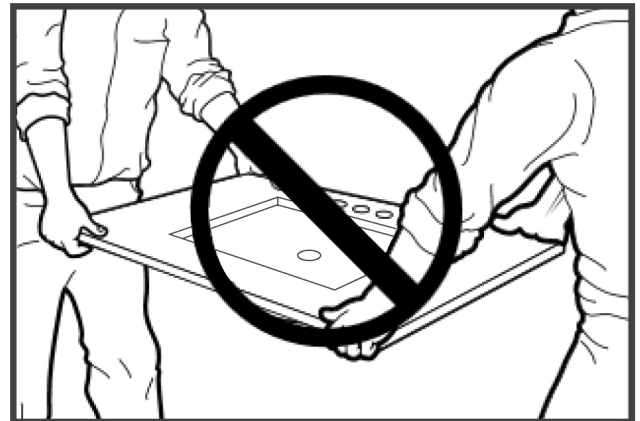


ATTENTION! Please inspect this product thoroughly prior to installation. For technical assistance or to report damage, please contact us at support@altairdesignusa.com.

After opening the box, remove the packing materials. Take care that the vanity top remains still seated in the box and does not come up with any of the packing material as it may drop back down and cause damage to the product. Support the vanity top firmly while removing it from the box. Do not set the vanity top down unsupported. Once properly installed, your vanity top will be supported on the cabinet and breakage will be very unlikely.



Correct



Not Correct

Tools And Materials Needed

- cloth towels
- caulk
- caulk edging tool
- caulking gun
- construction adhesive or silicone

VANITY TOP INSTALLATION



STOP!

Important Lifting Instructions
Two People Are Required To Unpack
And Carry This Vanity Top

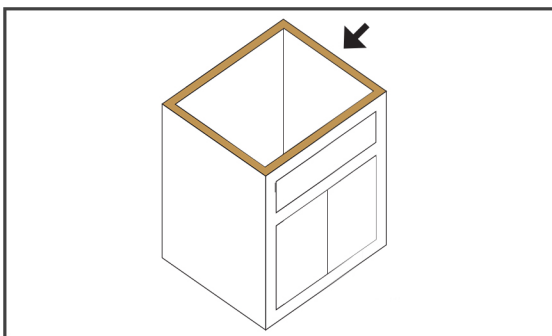


Before You Begin Please Read These Safety Precautions

Consult professional help if you are not familiar with installing bathroom cabinetry and working with associated plumbing hardware and tools. Installing a vanity cabinet and vanity top will require more than one person.

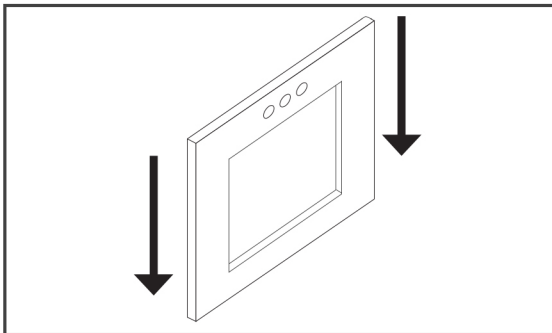
We recommend the water lines and drain be roughed in prior to installing the unit. The plumbing and vanity should be installed by an experienced plumber.

Procedure

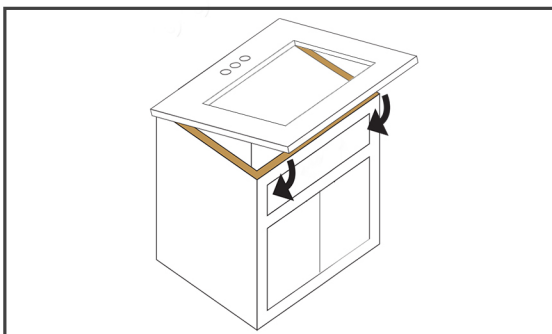


1. Use a damp cloth or vacuum to remove dust and dirt from top of the cabinet.
2. Allow surface to dry.
3. Apply a 1/4-inch bead of silicone along all parameter edges of the cabinet.

TIP: Before using silicone, make sure that the vanity top fits your cabinet. If your vanity top does not have proper clearance, do not force it on the cabinet.

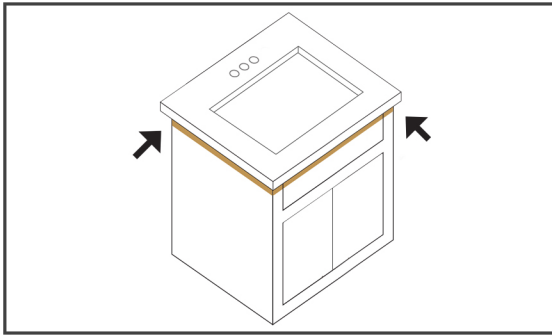


4. Carefully remove vanity top from box.
Stand vanity top upright with back edge facing down.
5. Carry the vanity top vertically to the cabinet.



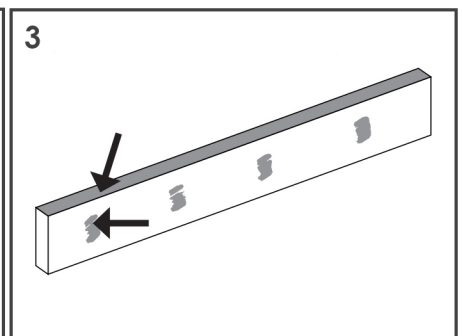
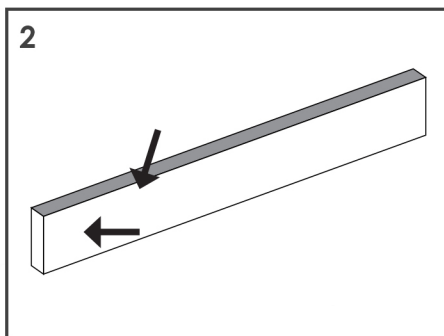
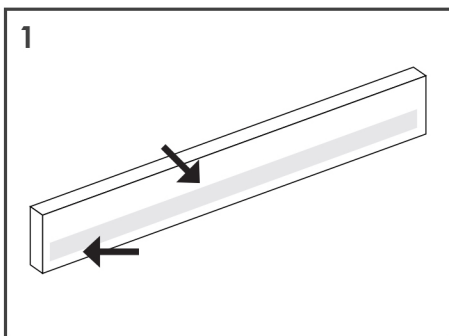
6. Carefully place the back edge of the vanity top approx. 2 inches or as close to the wall as possible. Lower the vanity top into place while carefully supporting the center of the vanity top. As the vanity top is lowered, carefully slide the vanity top back until it fits tightly against the wall.

TIP: If there are any voids between top of cabinet and bottom of vanity top insert tapered shims as necessary.

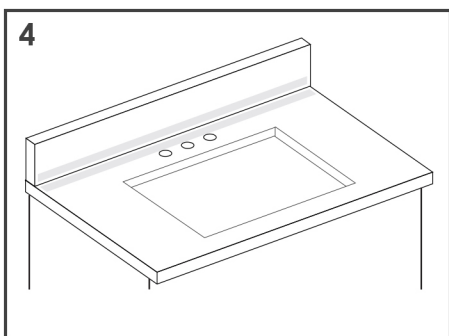


7. Run a thin bead of clear silicone around perimeter of the vanity top to fill any visible voids between the cabinet and vanity top.
8. Remove excess silicone with a clean cloth.

Backsplash Installation Procedure



1. Prior to installation, identify the "face (polished/gloss surface and the "top edge" of the backsplash. Apply masking tape along bottom edge of backsplash and along the back edge of the vanity top. The tape needs to be set away from the back edge of the top for the thickness of the splash + 1/8 - inches, this will aid in the removal of excess silicone.
2. Apply a bead of color matched or clear silicone caulk along the bottom edge of the backsplash.
3. Apply dabs of silicone to the backside of the backsplash.



4. Carefully set backsplash into place against wall and vanity top. Be sure to lightly press backsplash into place. Do not use excessive force.
5. Apply a thin bead of color matched or clear silicone along the joint between the backsplash and the vanity top.
6. Smooth the silicone bead with a clean, white cotton cloth dampened with a denatured alcohol.
7. Remove masking tape from backsplash and vanity top.

8. Repeat steps 1-7 to attach side splashes. (if applicable)
9. Wait 24 hours before using vanity top to allow time for silicone to fully cure.

NOTE: Follow all manufacturer's instructions and safety information on all silicone caulk containers.

Ensure adequate ventilation before applying silicone.