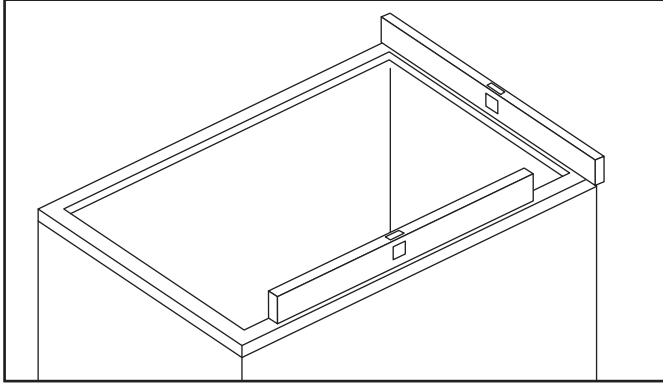


Installation Manual For Bathroom Vanity Top

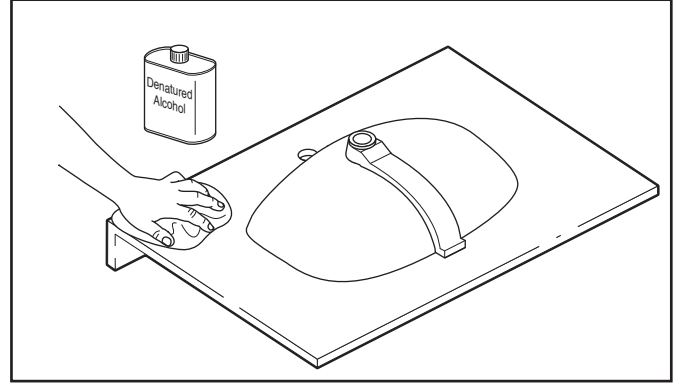
Vanity Top Installation

1. Install cabinet per manufacturer's instructions.

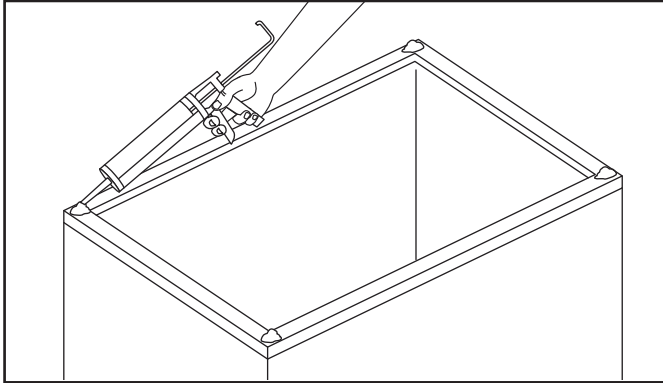


Note: Make sure cabinet is level before installing vanity top.

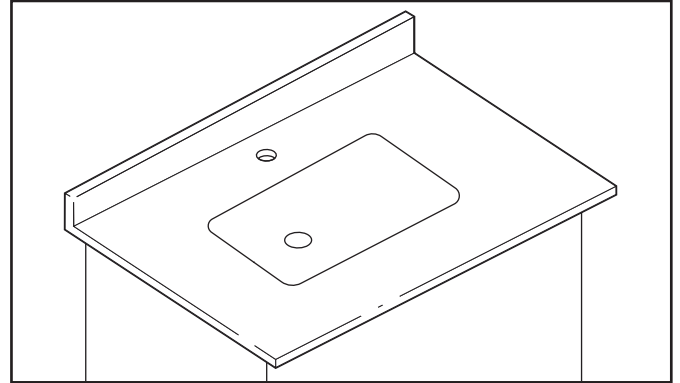
2. Clean underside of vanity sink with denatured alcohol. Remove all dust and allow the surface dry completely.



3. Apply a bead of adhesive or silicone onto each corner of cabinet top.

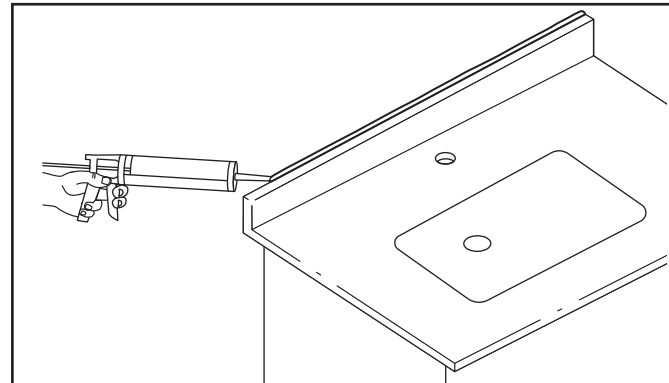


4. Place Swanstone vanity top onto the cabinet, making sure vanity is seated properly.







5. Wipe off any excess adhesive, and allow vanity top to set for 24 hours to ensure maximum adhesion.

6. If desired, use a color-match silicone sealant (not included). Place a bead of sealant along the seam of the back splash panel and wall to create a moisture barrier.



⚠ WARNING

Solvents Hazard
 Follow all manufacturers' safety instructions for silicone sealants and denatured alcohol. Alcohol vapors are both flammable and hazardous to breathe. Silicone vapors may irritate eyes and nose. Personal injury can result from improperly handling or use of products, such as denatured alcohol. Always follow the manufacturer's recommendations for the safe use of these products. Ventilate any work area before beginning to apply silicone sealants, cleaning agents, or solvents.