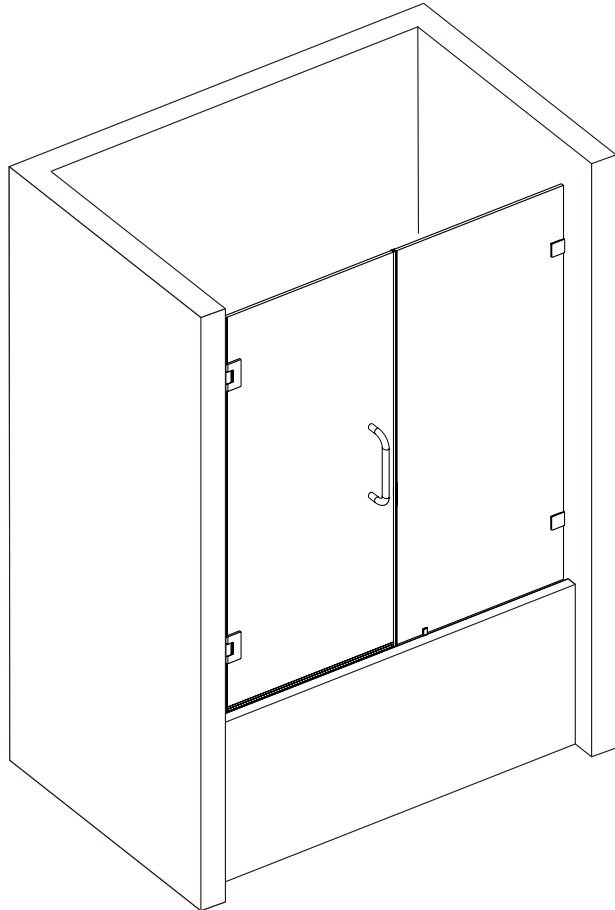


ALTAIR

FASHION BATHROOM LIFE

SHOWER DOOR INSTALLATION INSTRUCTIONS

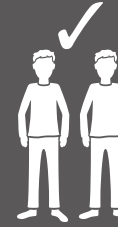


TS80660-HI-PC/BG/MB



IMPORTANT-Please

read and follow all warnings and instructions before using this product. Injury can result from improper use. Save this documents.



WARNING
Tempered Glass, please don't hit the corners and the surrounding, otherwise the glass will burst.



● General Information

Please inspect the product immediately upon receipt for transit damage, missing packs/parts or manufacturing fault. Damage reported later cannot be accepted. Please handle the product with care avoiding knocks and shock loading to all sides and edges of the glass.

Notes: Safety glass can not be re-worked.

Please read these instructions carefully before start of installation.

Special care should be taken when drilling walls to avoid hidden pipes or electrical cables.

Note: This product is heavy and may require two people to install.

Aftercare instructions

After use, your shower should be cleaned with soap and water. This is particularly important in hard water districts where insoluble lime salts may be deposited and allowed to build up. Cleaners of a gritty or abrasive nature should not be used. Care should be taken to avoid contact with strong chemicals such as organic solvents and strippers.

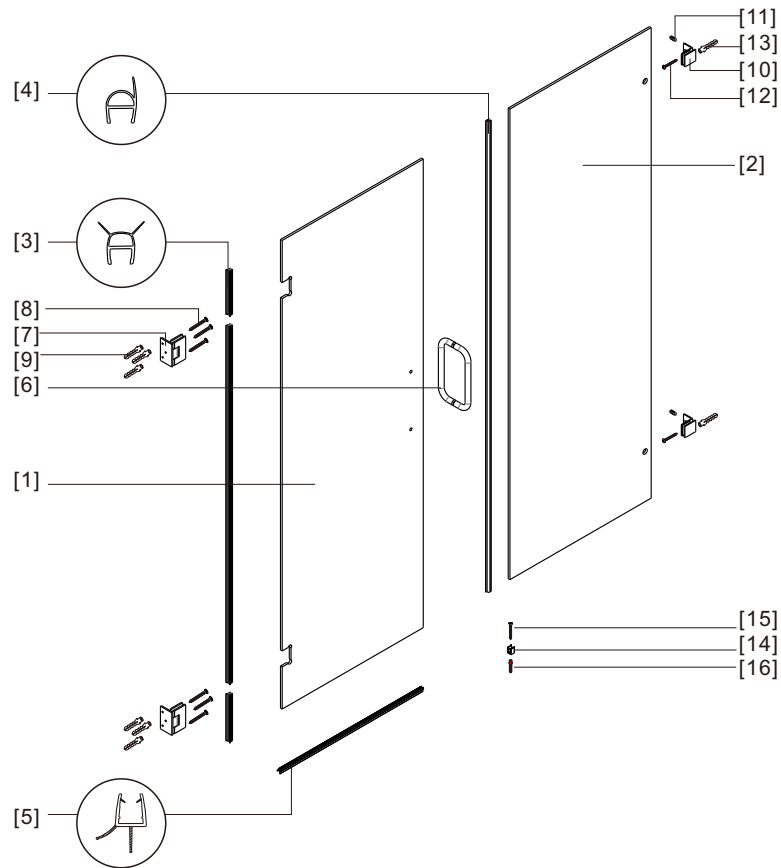
Glass cleaners can be used but with caution, if in doubt contact the manufacturer of the cleaner in question.

Please keep these instructions for aftercare and customer service details.

ALTAIR

FASHION BATHROOM LIFE

Detailed Diagram of shower door components



- [1] 1xDoor Panel
- [2] 1xFixed Panel
- [3] 3xSide Gaskets
- [4] 1xClosing Gasket
- [5] 1xBottom Gasket
- [6] 1xHandle Set + Allen Key
- [7] 2xHinges+Cap+ Allen Keys
- [8] 6xFlat Head Screws ST4x35

- [9] 6xWall Plugs
- [10] 2xWall Clips+Caps + Allen Keys
- [11] 2xWall Clip Covers
- [12] 2xRound Head Screws ST4x35
- [13] 2xWall Plugs
- [14] 1xBottom Clip
- [15] 1xFlat Head Screw ST4x25
- [16] 1xWall Plug

● Parts List:

1xInstallation Instruction.	→	
[1] 1xDoor Panel	→	
[2] 1xFixed Panel	→	
[3] 3xSide Gaskets	→	
[4] 1xClosing Gasket	→	
[5] 1xBottom Gasket	→	
[6] 1xHandle Set + Allen Key	→	
[7] 2xHinges+Caps+ Allen Keys [8] 6xFlat Head Screws ST4x35 [9] 6xWall Plugs	→	
[10] 2xWall Clips+Caps + Allen Keys [11] 2xWall Clip Covers [12] 2xRound Head Screws ST4x35 [13] 2xWall Plugs	→	
[14] 1xBottom Clip [15] 1xFlat Head Screw ST4x25 [16] 1xWall Plug	→	



● Assembly

01

WARM TIPS

01:

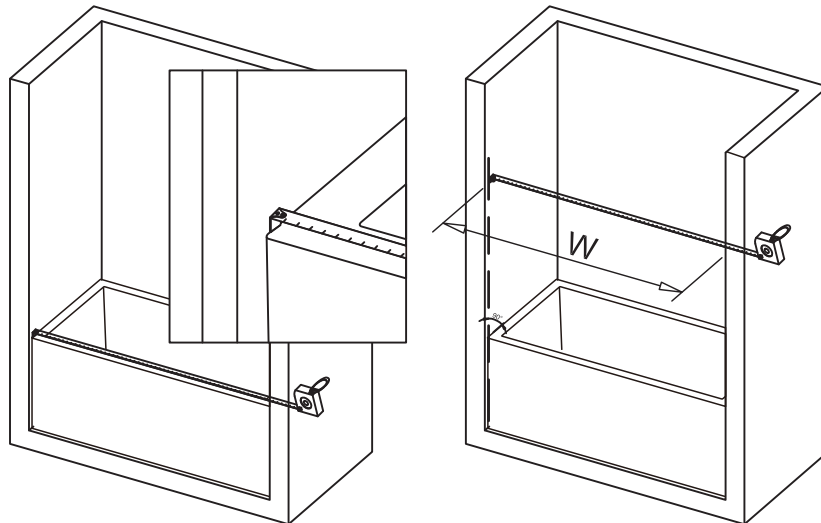
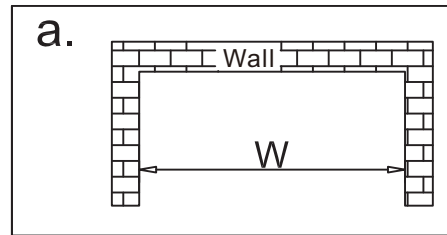
Open the packaging care fully and inspect all the necessary parts using detailed diagram and component list in your manual as a reference. Before discarding the carton, check for small hardware bags the tend to fall to the bottom of the box. If any parts are damaged or missing, please contact us for replacement.

02:

Retain these installation instructions for future use if in need.

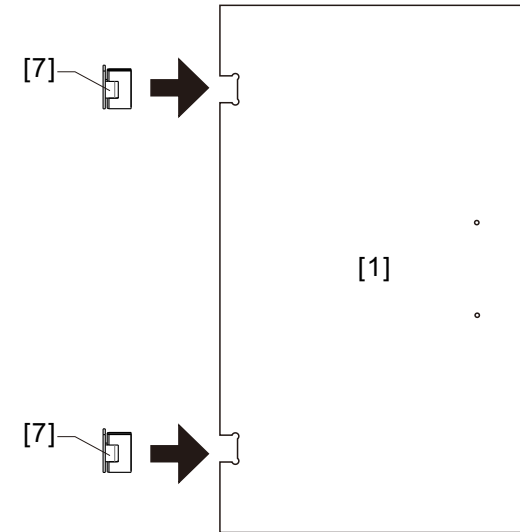
1. Measure the distance between two finished walls. This distance is marked as W.

Please see Fig a for details:

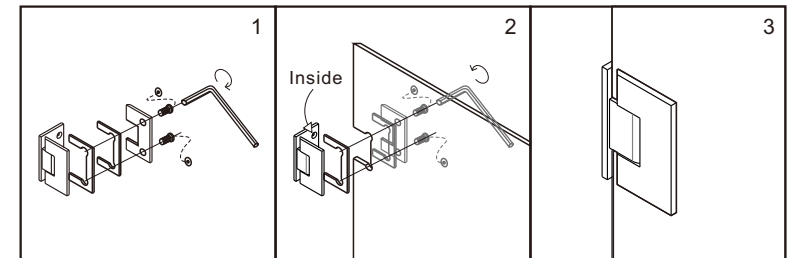


02

[1]		x1
[7]		x2





2x

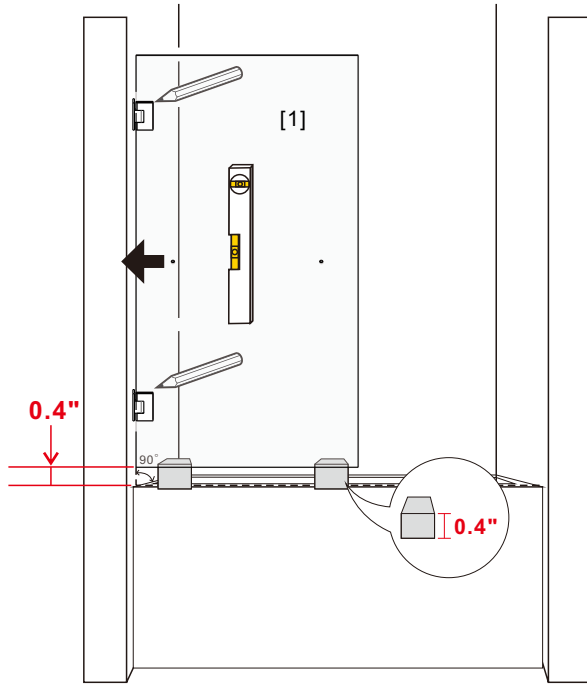


2. Remove the screws from the Hinges[7].(Fig 1)

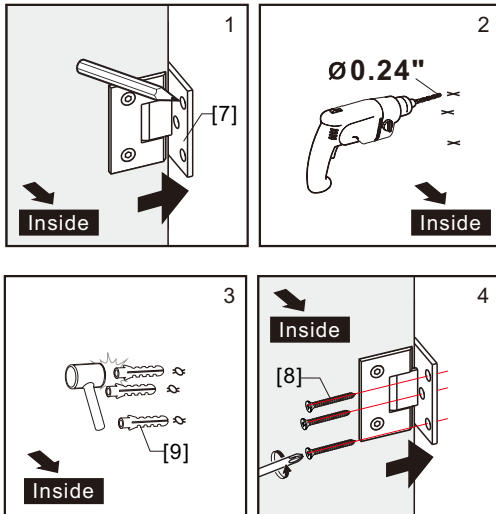
Align the holes in the Door Panel[1] with the holes in the Hinges[7]. Assemble the Hinges[7] onto the slot of the Door Panel[1].(Fig 2)

Tighten the screws and cover the screw caps.(Fig 3)

[8]	 ST4x35 x3
[9]	 x3



2x




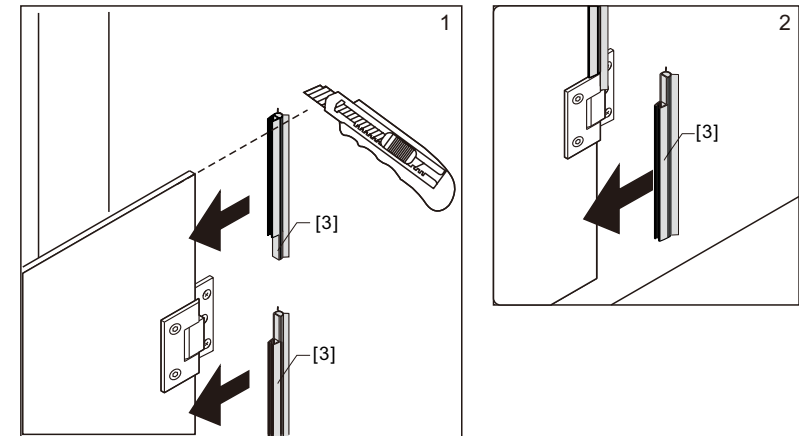
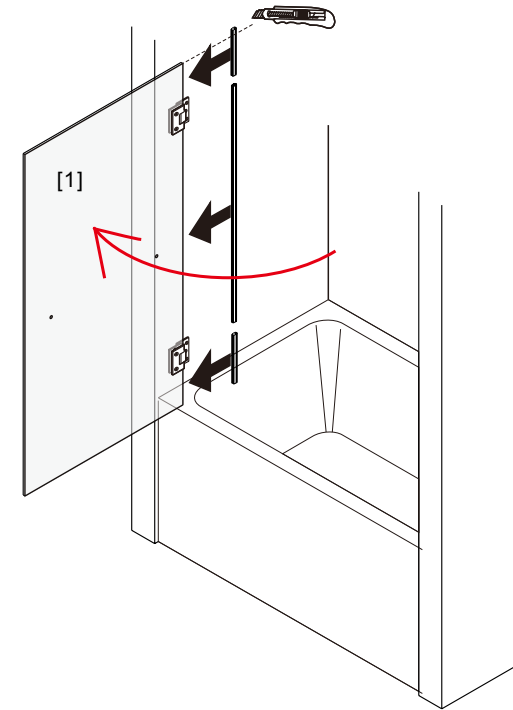
3. Lean the Door Panel[1] vertically against the finished wall.

Use 0.4" shims under the Door Panel[1], leaving enough space between the Door Panel[1] and the bathtub.

Make marks on the wall through the holes of Hinge[7] for drilling. Drill holes with a $\phi 0.24$ " drill bit, insert Wall Plugs[9] and secure Hinges[7] to the wall with Flat Head Screws ST4x35[8].



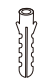
Please see Fig 1&2&3&4 for details.

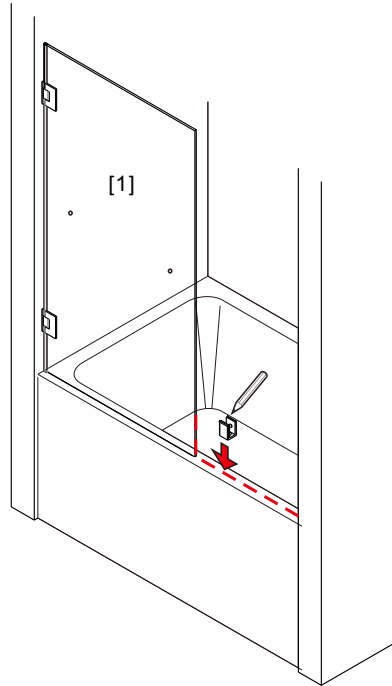
[3]	 x3
-----	---



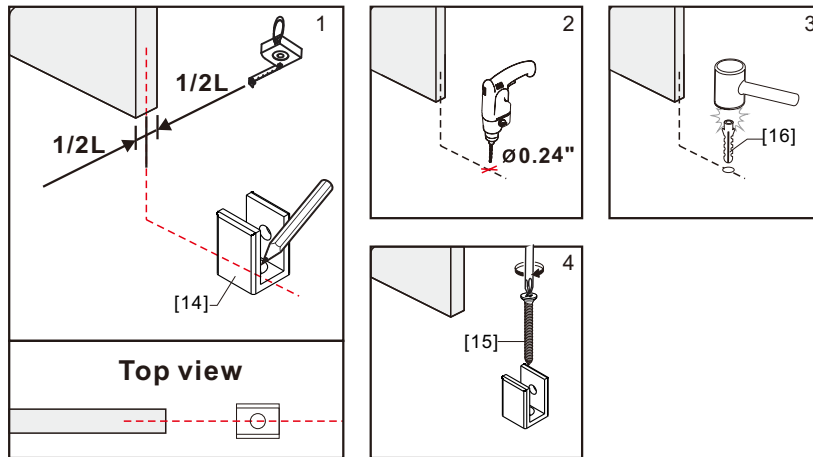
4. Cut the extra part of Side Gaskets[3], and make the top of Side Gaskets[3] aligns with the top of the the glass after assembled.(Fig 1)

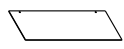
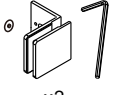

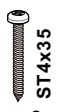

Assemble the other Side Gaskets[3] besides Door Panel[1] in the same way.(Fig 2)

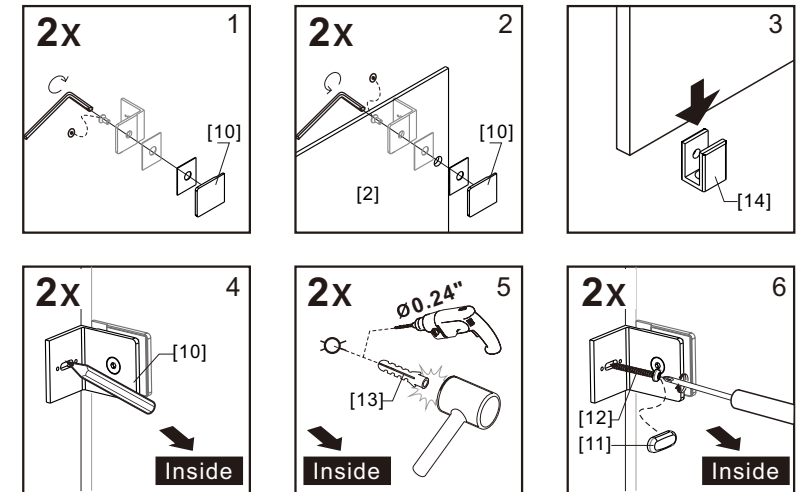
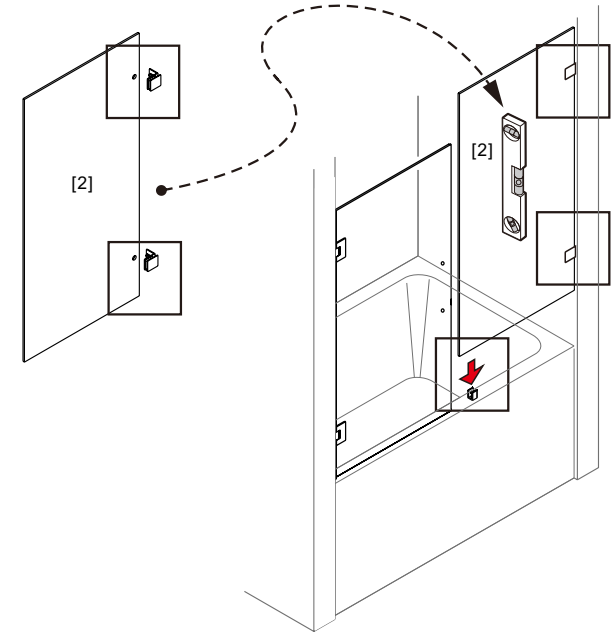
[14]		x1
[15]		x1
[16]		x1



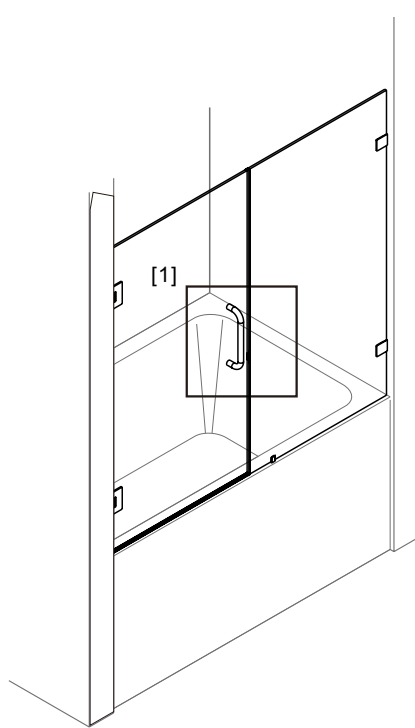
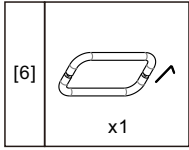
5. Draw a line along the center of the Door Panel [1] side, extending to the bathtub. Position the Bottom Clip [14] and make a mark on the bathtub through the hole of the Bottom Clip [14] for drilling. Drill holes with a $\phi 0.24''$ drill bit, insert Wall Plug [16] and secure the Bottom Clip [14] to the bathtub with Flat Head Screw ST4x25 [15].



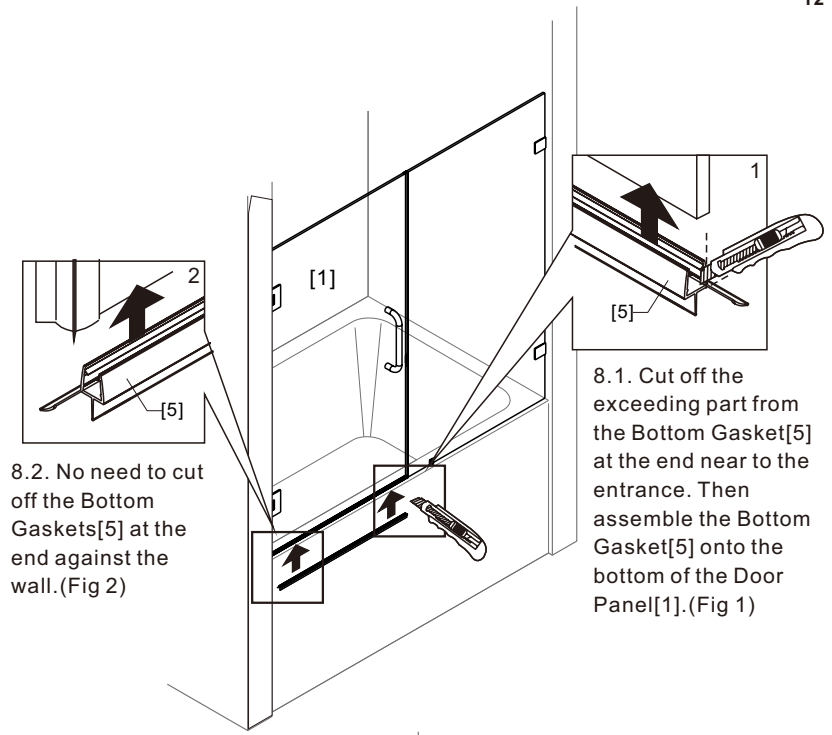
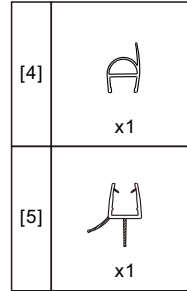
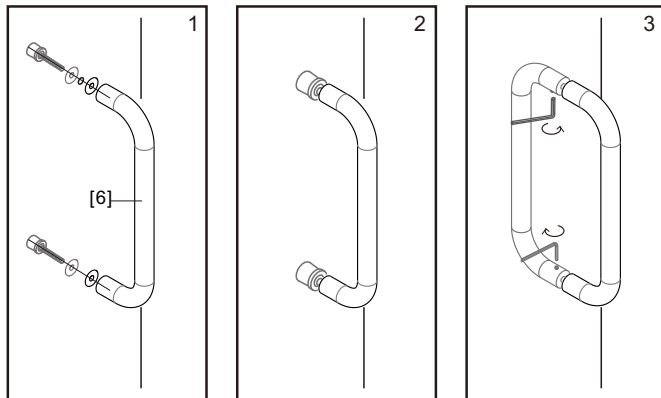
[2]		x1
[10]		x2
[11]		x2
[12]		x2
[13]		x2



6. Loosen the screws of Wall Clip [10]. (Fig 1)
 Assemble the Wall Clip [10] onto the Fixed Panel [2], tighten the screws and cover the screw caps. (Fig 2)
 Stick the Fixed Panel [2] into the Bottom Clip [14]. (Fig 3)
 Place the Wall Clip [10] closely against the wall and mark position for drilling holes. (Fig 4)
 Drill holes with a $\phi 0.24''$ drill bit and hit Wall Plugs [13] into the wall through the holes. (Fig 5)
 Secure the Wall Clip [10] onto the wall with Round Head Screws ST4x35 [12] along with the Wall Clip Cover [11]. (Fig 6)

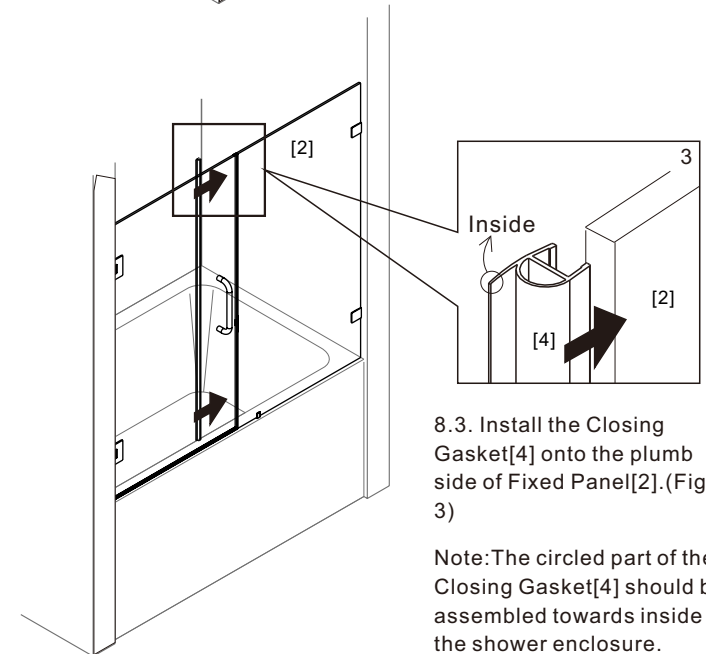


7. Install the Handle Set[6] onto the Door Panel[1] with Allen Key.(Fig 1&2&3)



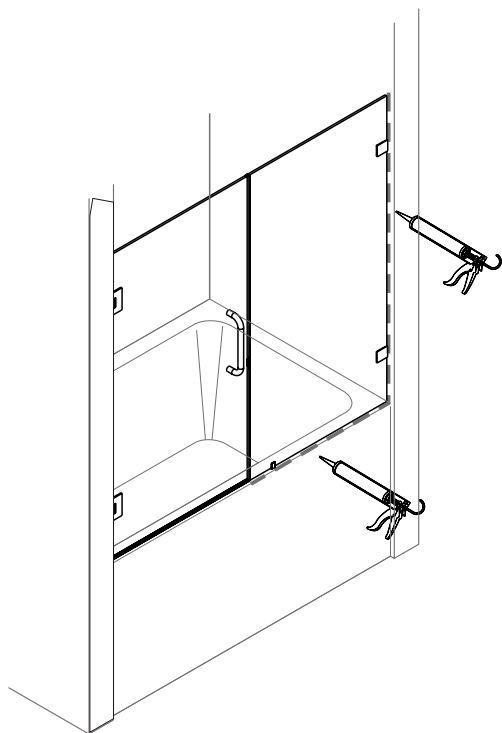
8.2. No need to cut off the Bottom Gaskets[5] at the end against the wall.(Fig 2)

8.1. Cut off the exceeding part from the Bottom Gasket[5] at the end near to the entrance. Then assemble the Bottom Gasket[5] onto the bottom of the Door Panel[1].(Fig 1)



8.3. Install the Closing Gasket[4] onto the plumb side of Fixed Panel[2].(Fig 3)

Note:The circled part of the Closing Gasket[4] should be assembled towards inside of the shower enclosure.



⚠ Please ensure the bottom horizontal is straight before the silicone sealant to cure fully

- Do not use the shower enclosure for at least 24 hour in order to allow the silicone sealant to cure fully.