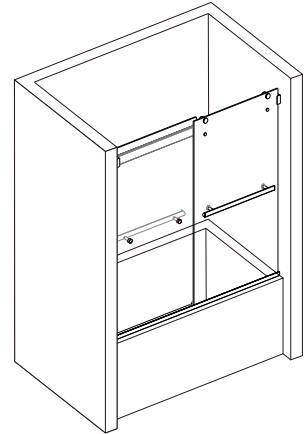


## INSTALLATION SPECIFICATION

Item No.	TS80160-BP-BN
Description	By-pass
Overall Dimensions	60"x58"
Installation Size Range	56"-60"
Profile Color	Brushed Nickel
Glass Thickness	8/25"
Glass Color	Transparent&Easy clean
Gross Weight	116 LBS
Certifications	ANSI Z97.1-2015



**Marcelo**  
By-pass

*All measurements are approximate. Measurements may vary +/- 1/25".*

