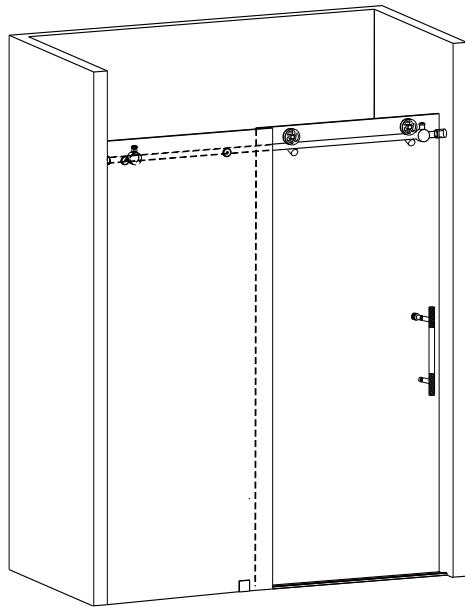


With Explosion-Proof film

**ALTAIR**  
FASHION BATHROOM LIFE

## SHOWER DOOR INSTALLATION INSTRUCTIONS



SD80460-SS- MB



**IMPORTANT-**Please read and follow all warnings and instructions before using this product. Injury can result from improper use. Save these documents.



**WARNING**  
Tempered Glass, please don't hit the corners and the surrounding, otherwise the glass will burst.



### ● General Information

Please inspect the product immediately upon receipt for transit damage, missing packs/parts or manufacturing fault. Damage reported later cannot be accepted. Please handle the product with care avoiding knocks and shock loading to all sides and edges of the glass.

#### **Notes: Safety glass can not be re-worked.**

Please read these instructions carefully before start of installation.

Special care should be taken when drilling walls to avoid hidden pipes or electrical cables.

Note: This product is heavy and may require two people to install.

### **Aftercare instructions**

After use, your shower should be cleaned with soap and water. This is particularly important in hard water districts where insoluble lime salts may be deposited and allowed to build up. Cleaners of a gritty or abrasive nature should not be used. Care should be taken to avoid contact with strong chemicals such as organic solvents and strippers.

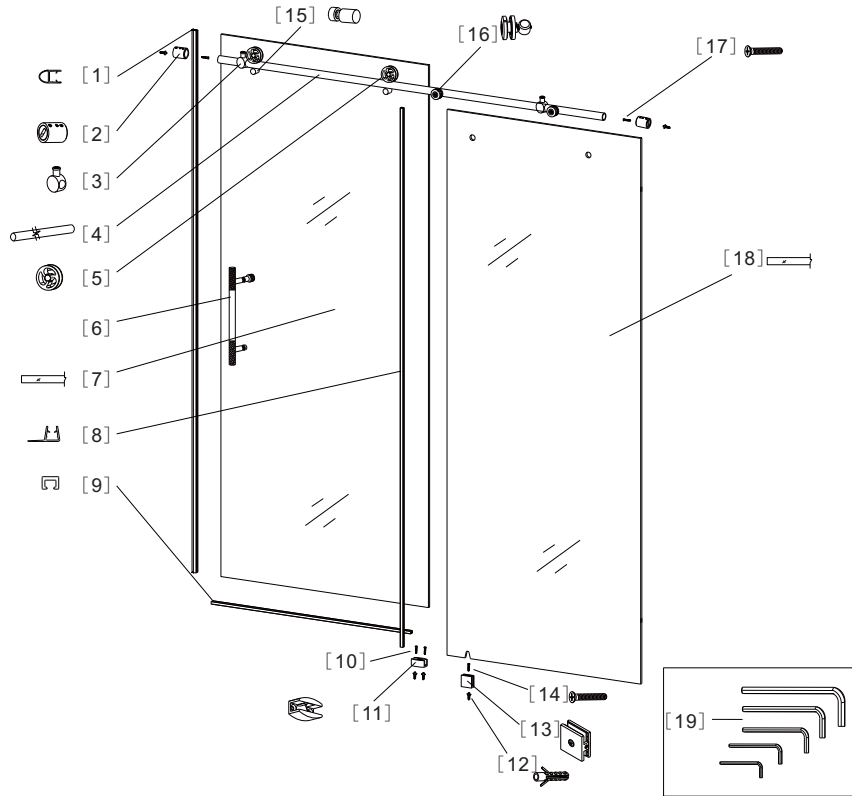
Glass cleaners can be used but with caution, if in doubt contact the manufacturer of the cleaner in question.

Please keep these instructions for aftercare and customer service details.

**ALTAIR**  
FASHION BATHROOM LIFE

[www.altairdesignusa.com](http://www.altairdesignusa.com)

## Detailed Diagram of shower door components



- |                                |                    |
|--------------------------------|--------------------|
| [1] Bumper Strip               | [11] Guide Block   |
| [2] Guide Rail Bracket         | [12] Wall Anchor   |
| [3] Glass Door Stopper         | [13] Floor Brace   |
| [4] Upper Guide Rail           | [14] Screw M4X30   |
| [5] Roller                     | [15] Safety Pin    |
| [6] Handle                     | [16] Glass Bracket |
| [7] Glass Door                 | [17] Screw M5X60   |
| [8] Side Anti-Water Strip      | [18] Fixed Panel   |
| [9] Aluminium Anti-Water Strip | [19] Allen Key     |
| [10] Screw M5X30               |                    |

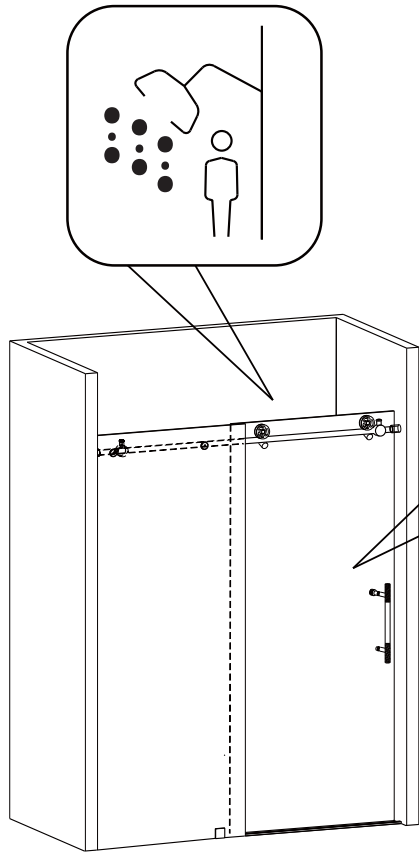
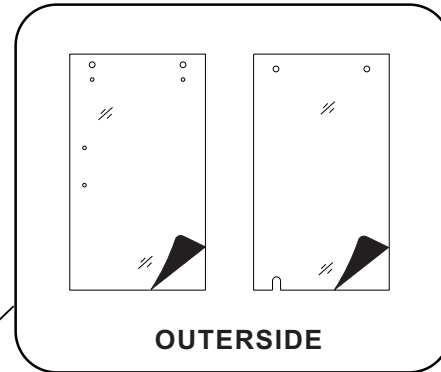
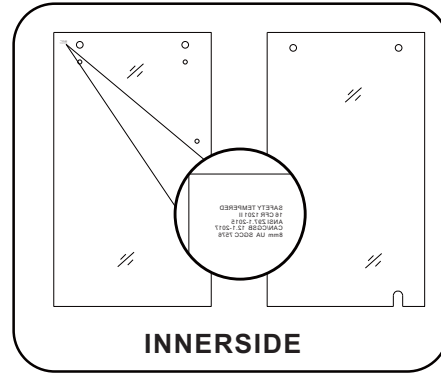
## ● Parts List:

[1] 1X Bumper Strip	➔	
[2] 2X Guide Rail Bracket	➔	
[3] 2X Glass Door Stopper	➔	
[4] 1X Upper Guide Rail	➔	
[5] 2X Roller	➔	
[6] 1X Handle	➔	
[7] 1X Glass Door	➔	
[8] 1X Side Anti-Water Strip	➔	
[9] 1X Aluminium Anti-Water Strip	➔	
[10] 2X Screw M5X30	➔	
[11] 1X Guide Block	➔	
[12] 5X Wall Anchor	➔	
[13] 1X Floor Brace	➔	
[14] 1X Screw M4X30	➔	
[15] 2X Safety Pin	➔	
[16] 2X Glass Bracket	➔	
[17] 2X Screw M5X60	➔	
[18] 1X Fixed Panel	➔	
[19] 5X Allen Key	➔	

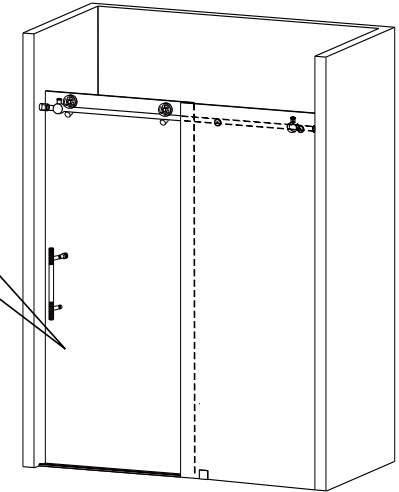
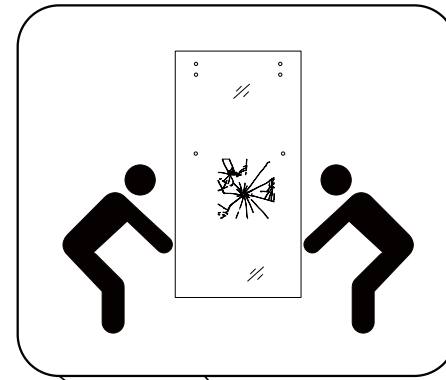
## Important Note

### Attention:

The Glass Shower doors include Explosion-Proof film on the reverse side of the certification printed logo.



**Explosion-Proof film helps to hold glass in place in the event of breakage. So as to prevent the glass shatter will hurt the user. Allowing the panel to be carefully removed by a professional at a later date.**



**In the event of breakage please follow the steps below.**

1. If someone is inside the shower, move the panel slowly out of the way and exit the bathroom as soon as possible. Do not allow anyone to re-enter bathroom until prepared to remove and dispose of broken panel.
2. Utilize safety precautions such as a hard-hat, safety glasses, leather gloves, proper footwear and moving blankets to minimize risk of injury.
3. It is recommended that two people assist in the removal of the panel. One person to hold panel steady, and the other to un-install the hardware. Then carefully remove glass from shower and lay flat on cardboard or plywood until it can be removed. Once laying flat, a razor knife or box cutter can be utilized to cut the film and remove in smaller pieces.



# ● Assembly

01

### WARM TIPS

01:

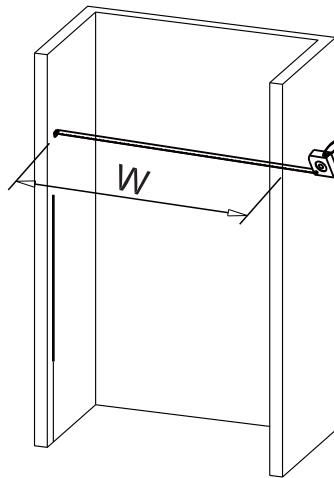
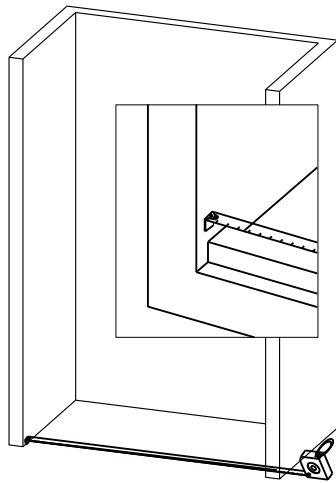
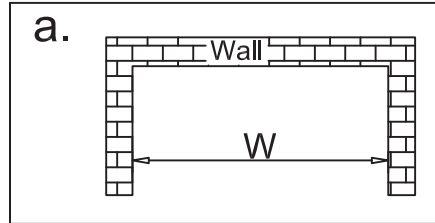
Open the packaging carefully and inspect all the necessary parts using detailed diagram and component list in your manual as a reference. Before discarding the carton, check for small hardware bags that tend to fall to the bottom of the box. If any parts are damaged or missing, please contact us for replacement.

02:

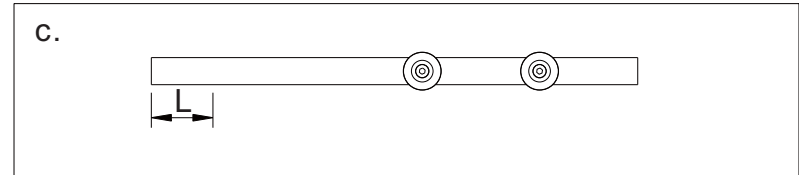
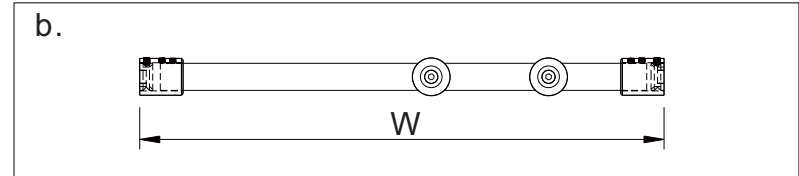
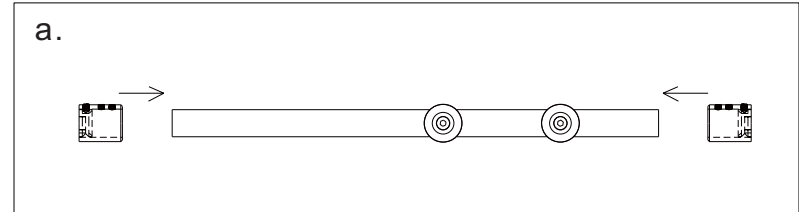
Retain these installation instructions for future use if in need.

1. Measure the distance between two finished walls. This distance is marked as W.

Please see Fig a for details:



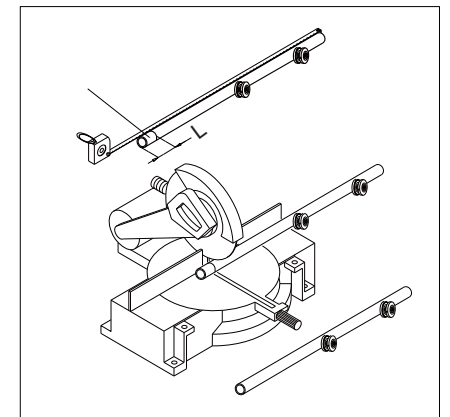
02



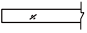

1. Your Upper Guide Rail (04) has been precut for your Shower model opening width, eg. 60" for shower width.  
 If W-width of your wall-to-wall opening is equal to the size of your Shower model, it is unnecessary to cut the Upper Guide Rail and you can continue to Step 3.

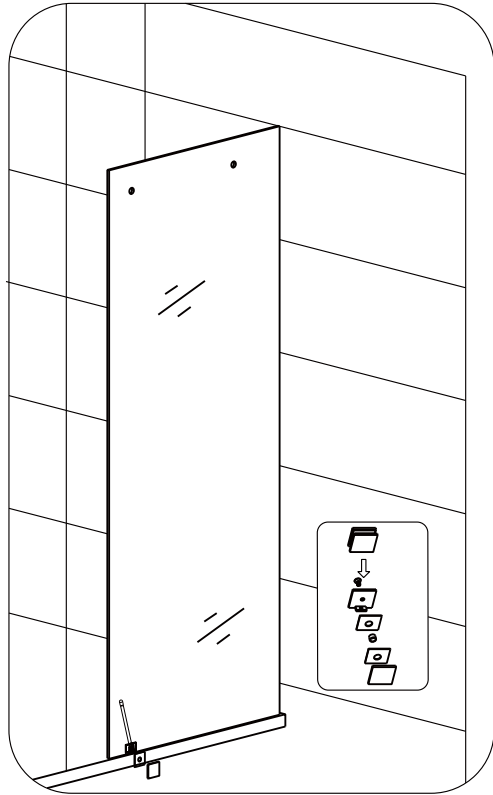
If W-width of your wall-to-wall opening is less than the size of your Shower model, you will need to cut the Upper Guide Rail from the end which is farther from the Glass brackets (15) holes.  
 The length to cut off will be L:  
 $L = \text{Subtract } W \text{ from the size of your Shower model.}$

**FOR EXAMPLE**  
 If your wall opening  $W = 59"$ . Your shower model is 60".  
 $L = 60" - 59" = 1"$   
 You have to cut 1" off from the rail.






03

[18]	 1X
[13]	 1X

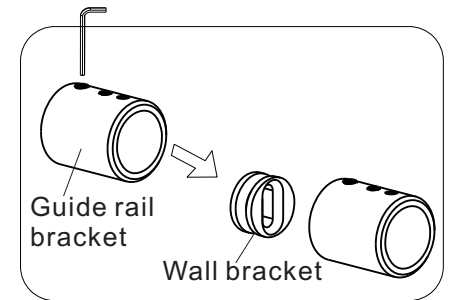
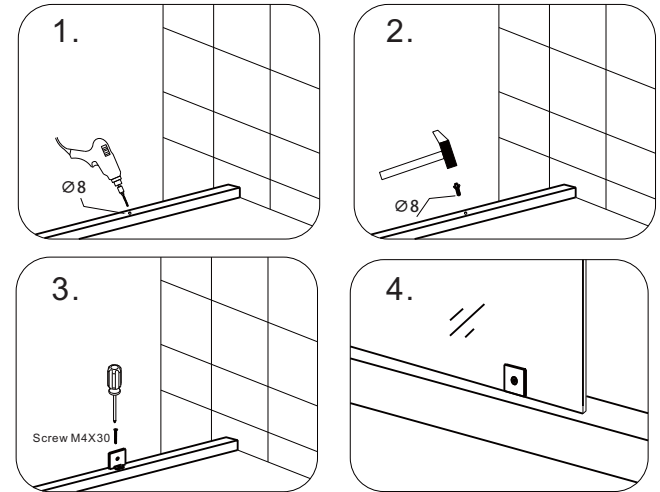


Place the Fixed Panel(18) to the wall, level it and draw holes on the shower base/threshold through the holes on the Floor Mount Clamp (13).

04

[12]	 1X
[14]	 1X
[2]	 2X

Use 5/16" drill bit to drill holes on the shower base/ threshold and knock in 5/16" Wall Anchors (12), then lock the Fixed glass to the wall by Philip's Screw M4\*30(14).



Loosen the screw on Guide Rail Bracket (02), pull out the wall bracket.

[3]

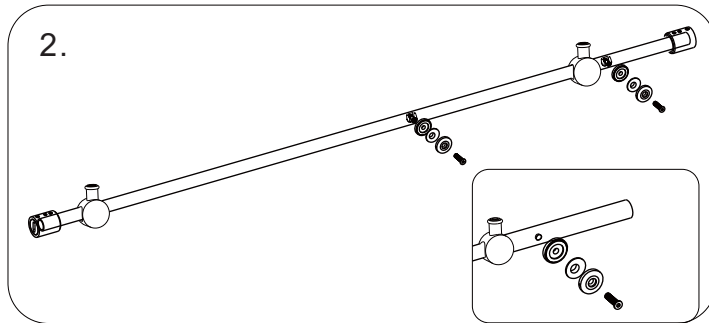
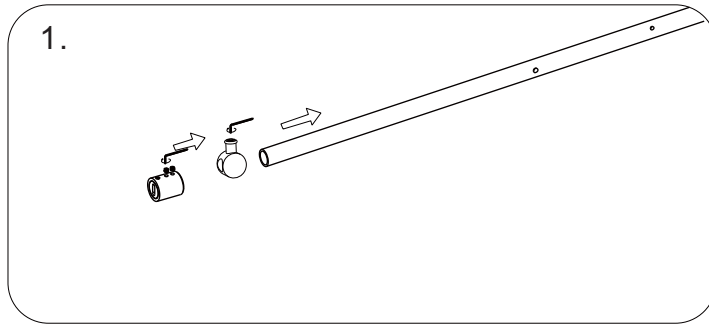


2X

[16]

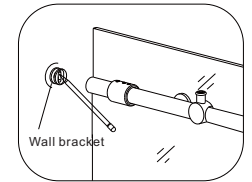
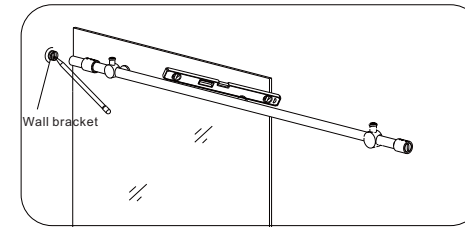
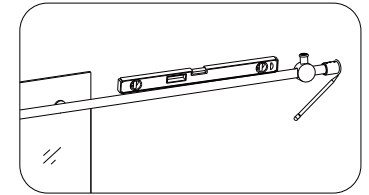
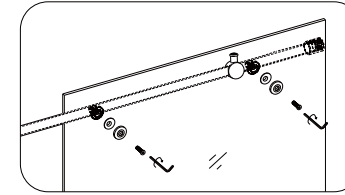


2X



Use the Allen key (18) to loose the screw on the Guide Rail Bracket (02) and Glass Door Stopper (03). Slide the stopper and then the bracket to the Guide Rail (04), use the allen key to tighten the parts to the guide rail temporarily. Disassemble the Glass Bracket (16), insert the bracket core inside the guide rail tube, push it slowly to make the hole on the core match the hole on the tube, then lock the bracket back side with Allen Key(19) .

After finished installing the Upper Guide Rail(04), lock the glass bracket(16) so as to lock the Fixed Glass(18) to the Upper Guide Rail(04).



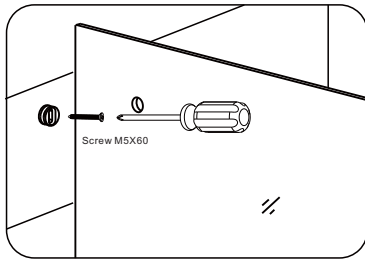
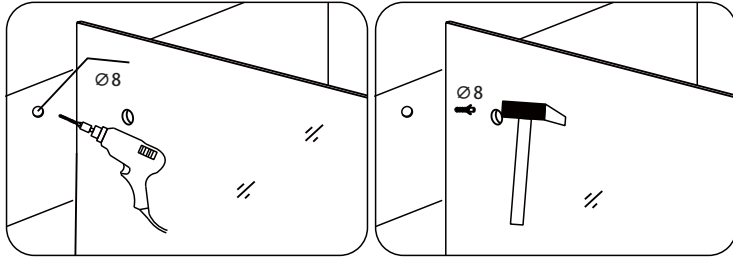
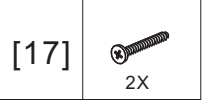
Make sure the Fixed Glass (18) and the Upper Guide Rail (04) are leveled, if a horizontal adjustment is required, adjust it in the Glass Brackets (16). Slide the Guide Rail Bracket (02) against the wall, outline the guide rail brackets position. Put the wall bracket to the outlined position and drawing the drilling holes in the wall.

### Warm tips:

1.the other side of the wall bracket are positioned in the same way.

07

Drill holes with 5/16" drill bit and knock in 5/16" anchor(12), then use Philip's screw M5\*60(17) to lock the wall bracket to the wall.

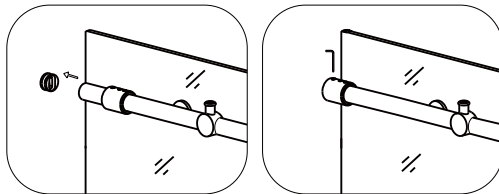


**Tips:** The other wall bracket is installed in the same way


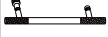
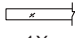
Slide the guide rail bracket (02) to the two end sides of the guide rail, fixed the guide rail bracket to the wall bracket with hexagon spanner(19).

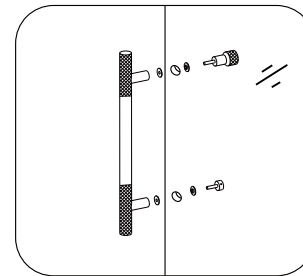
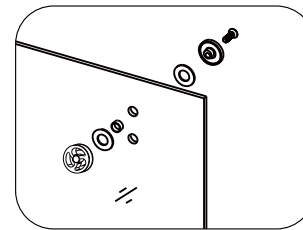
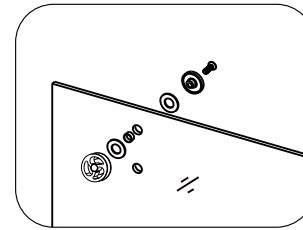
Tips:

1. the other side of the guide rail and guide rail bracket are installed in the same way.

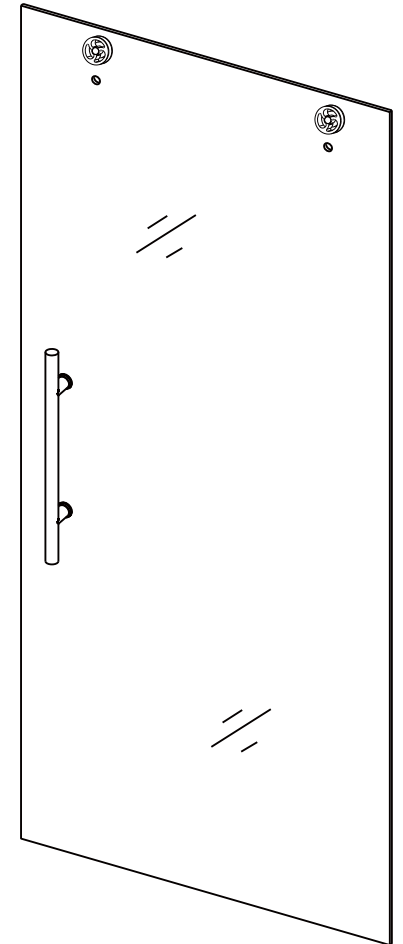


08

[5]	 2X
[6]	 1X
[7]	 1X






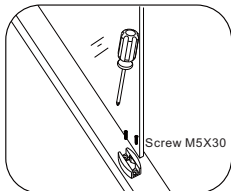
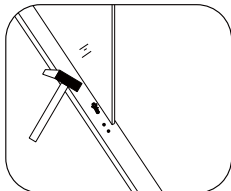
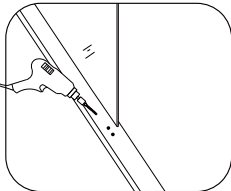
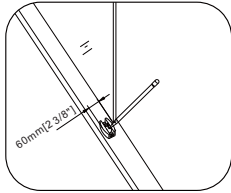
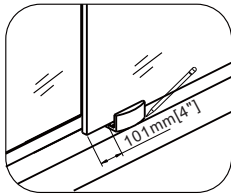
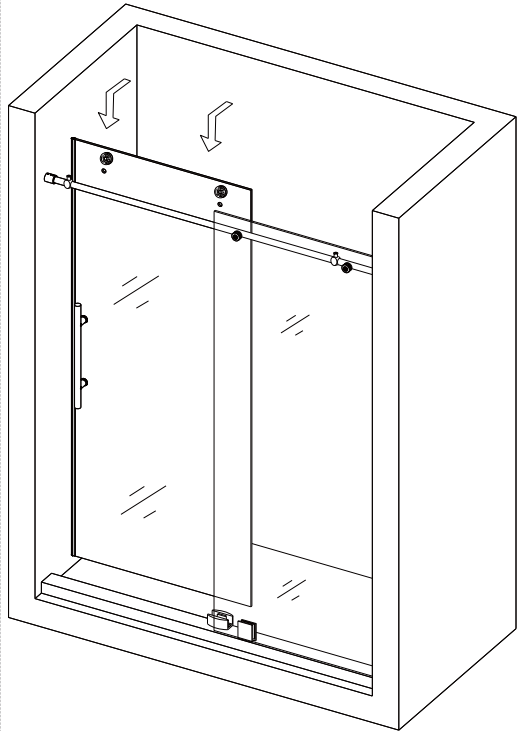
Install Rollers (05)  
Install Handle (06)



09




Rise the Glass Door to make rollers hang to the top guide rail and place the glass bottom side to the Guide Block (11) slowly. Make sure that the Glass Door (07) will slide in the guide block, outline the drilling position, install the guide block to the shower base/threshold.

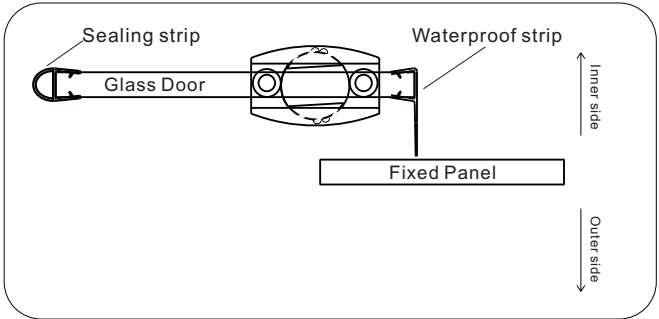
[10]		2X
[11]		1X
[12]		2X



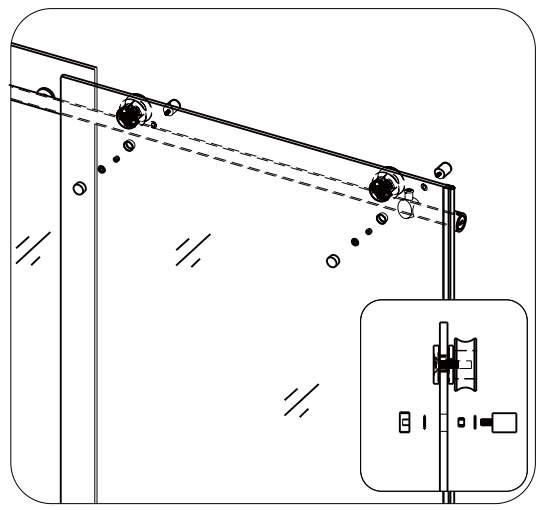
10

Place the 2 Bumper Strips to the glass door.

[1]		1X
[8]		1X
[5]		2X



Make sure that the Glass Door with Rollers hangs to the Upper Guide Rail (04), and the glass bottom is inside the Guide Block (11), now adjust glass to vertical and then lock the Safety Pin (15).



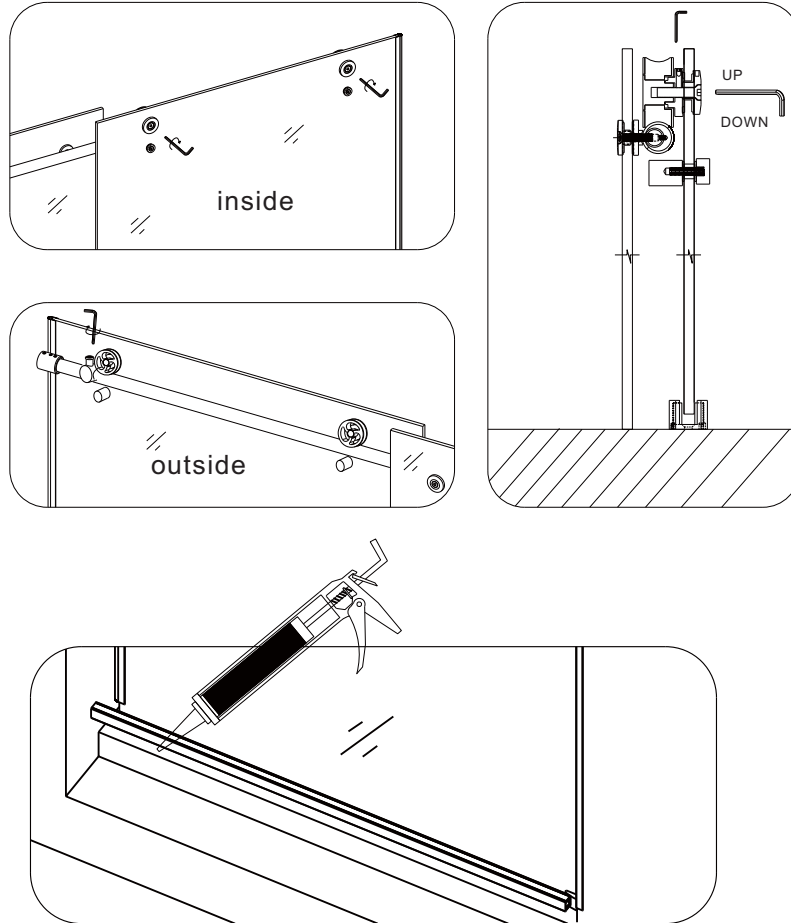


11

Adjust the fasteners on both Rollers (05) to ensure that the bottom edge of the Glass Door (07) will not touch the bottom of the Guide Block (11).

Push the Door Stopper (03) close to the wall side, slide the moving door to make Roller contact to the stopper and get perfect space then lock the stopper bottom screw.

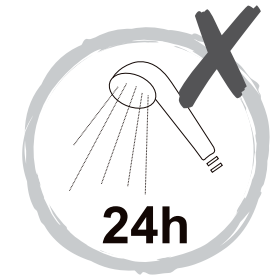
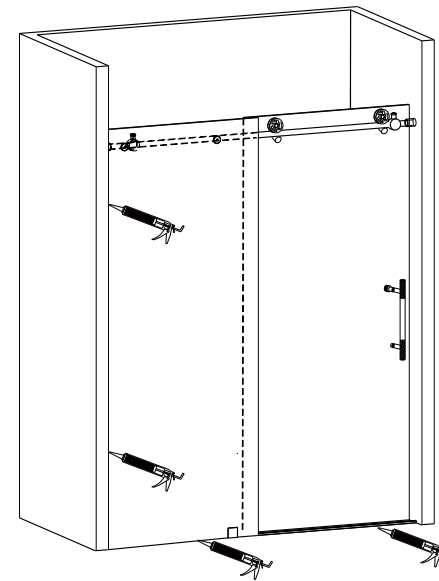
Please make sure that the glass door especially the door corners will not hit the walls when closed and opened.



Put the Aluminium Anti-Water Strip (09) in front of the Glass Door (07) on the shower base/threshold, seal it to the shower base/threshold with silicone.

12

[9]

  
1X


Seal with Silicone caulk between wall, shower tray or threshold.



Please ensure the bottom horizontal is straight before the silicone sealant to cure fully

● Do not use the shower enclosure for at least 24 hour in order to allow the silicone sealant to cure fully.