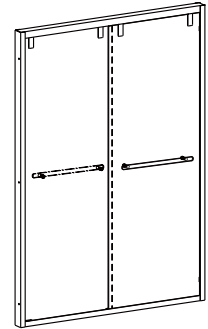
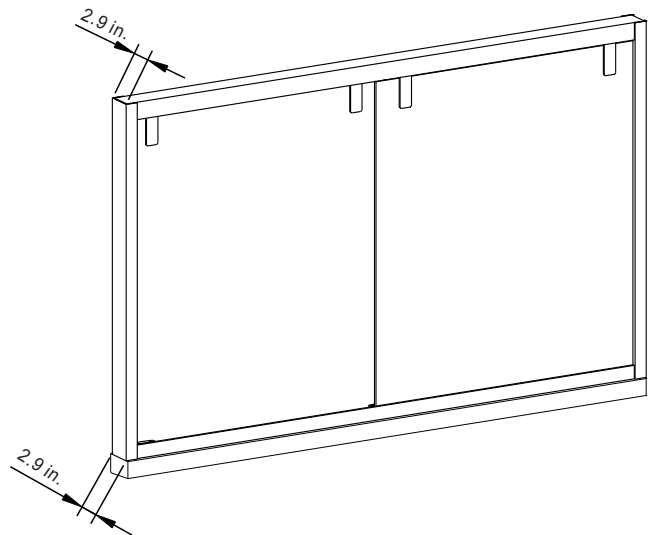
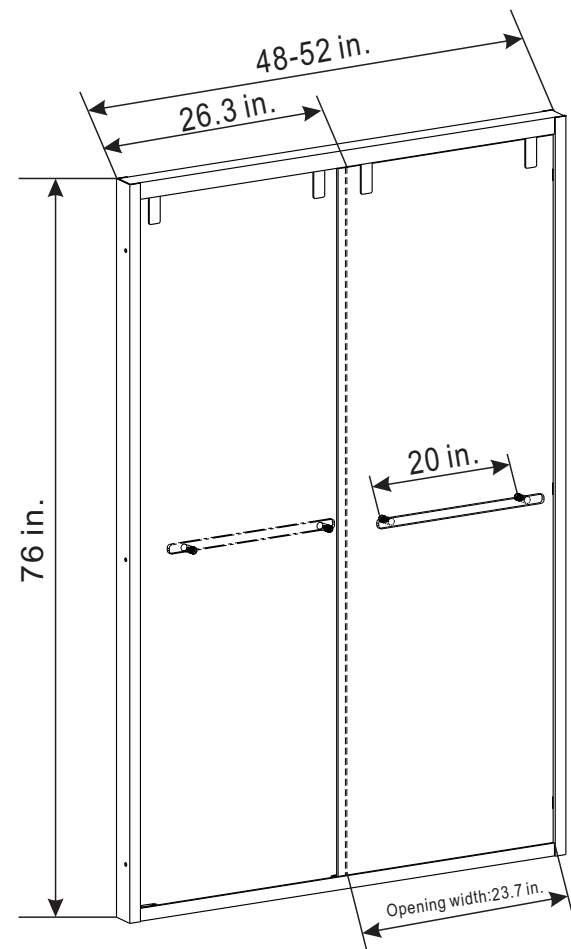


INSTALLATION SPECIFICATION

Item No.	SD80252-BP-MB
Description	By-pass
Overall Dimensions	52"X76"
Installation Size Range	48"-52"
Profile Color	Matte Black
Glass Thickness	8/25"
Glass Color	Transparent&Explosion-Proof
Gross Weight	133LBS
Certifications	ANSI Z97.1-2015



Caspar
By-pass



All measurements are approximate. Measurements may vary +/- 1/25".