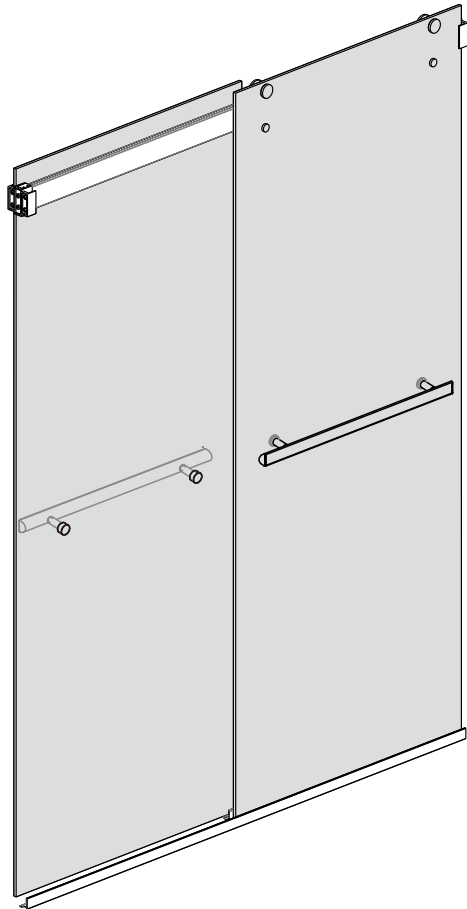


**ALTAIR**  
FASHION BATHROOM LIFE

## SHOWER DOOR INSTALLATION INSTRUCTIONS



SD80148-BP-BN/MB/BG  
SD80160-BP-BN/MB/BG  
SD80164-BP-BN/MB/BG



**IMPORTANT-**Please read and follow all warnings and instructions before using this product. Injury can result from improper use. Save this documents.



**WARNING**  
Tempered Glass, please don't hit the corners and the surrounding, otherwise the glass will burst.



### ● General Information

Please inspect the product immediately upon receipt for transit damage, missing packs/parts or manufacturing fault. Damage reported later cannot be accepted. Please handle the product with care avoiding knocks and shock loading to all sides and edges of the glass.

#### **Notes: Safety glass can not be re-worked.**

Please read these instructions carefully before start of installation.

Special care should be taken when drilling walls to avoid hidden pipes or electrical cables.

Note: This product is heavy and may require two people to install.

### Aftercare instructions

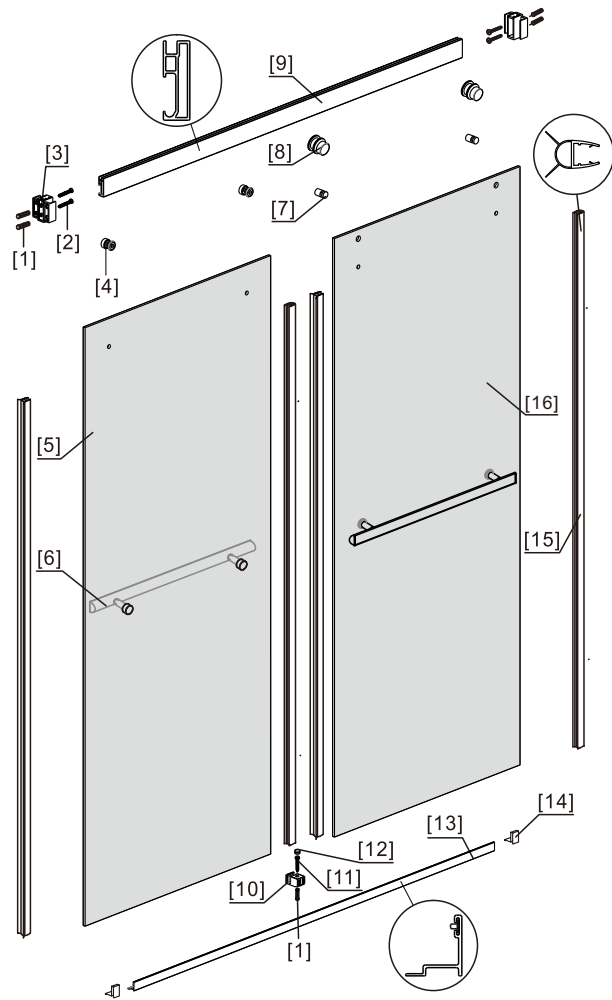
After use, your shower should be cleaned with soap and water. This is particularly important in hard water districts where insoluble lime salts may be deposited and allowed to build up. Cleaners of a gritty or abrasive nature should not be used. Care should be taken to avoid contact with strong chemicals such as organic solvents and strippers.

Glass cleaners can be used but with caution, if in doubt contact the manufacturer of the cleaner in question.

Please keep these instructions for aftercare and customer service details.

**ALTAIR**  
FASHION BATHROOM LIFE

## Detailed Diagram of shower door components



- |                                 |                               |
|---------------------------------|-------------------------------|
| [1] 5xWall Plugs                | [9] 1xTop Horizontal Rail     |
| [2] 4xScrews ST4x35             | [10] 1xDoor Guider            |
| [3] 2xWall Connectors           | [11] 1xScrew ST4x25           |
| [4] 2xTop Wheels                | [12] 1xScrew Cover Cap        |
| [5] 1xDoor Panel                | [13] 1xBottom Horizontal Rail |
| [6] 2xHandle Sets               | [14] 2xCover Caps             |
| [7] 2xAnti-collision Components | [15] 4xDoor Side Gaskets      |
| [8] 2xTop Rollers               | [16] 1xDoor Panel             |

## Parts List:

1xInstallation Instruction.	➔	
[1] 5xWall Plugs.	➔	
[2] 4xScrews ST4x35. [3] 2xWall Connectors.	➔	
[4] 2xTop Wheels.	➔	
[5] 1xDoor Panel.	➔	
[6] 2xHandle Sets.	➔	
[7] 2xAnti-collision Components.	➔	
[8] 2xTop Rollers.	➔	
[9] 1xTop Horizontal Rail.	➔	
[10] 1xDoor Guider. [11] 1xScrew ST4x25. [12] 1xScrew Cover Cap.	➔	
[13] 1xBottom Horizontal Rail.	➔	
[14] 2xCover Caps.	➔	
[15] 4xDoor Side Gaskets.	➔	
[16] 1xDoor Panel.	➔	
Wrenchs.	➔	



# ● Assembly

## 01

### WARM TIPS

#### 01:

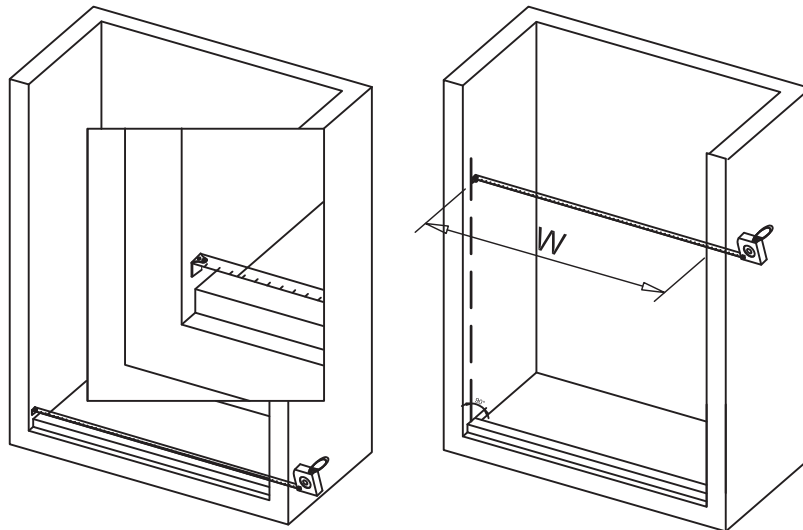
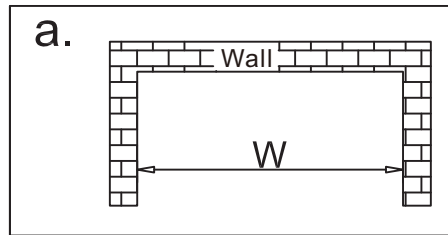
Open the packaging care fully and inspect all the necessary parts using detailed diagram and component list in your manual as a reference. Before discarding the carton, check for small hardware bags the tend to fall to the bottom of the box. If any parts are damaged or missing, please contact us for replacement.

#### 02:

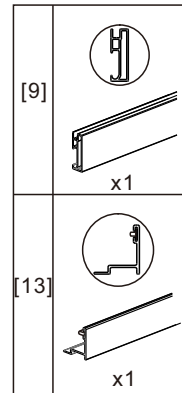
Retain these installation instructions for future use if in need.

1. Measure the distance between two finished walls. This distance is marked as W.

Please see Fig a for details:



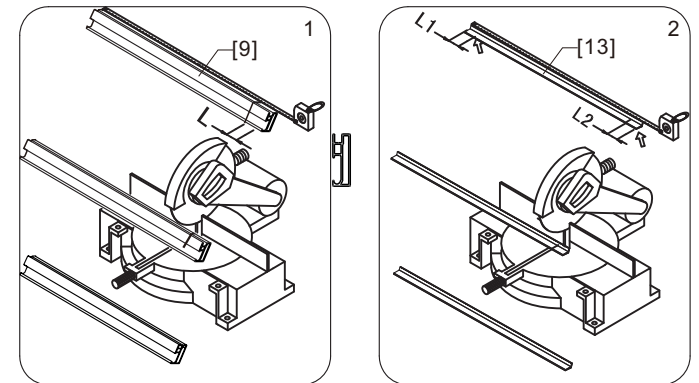
## 02






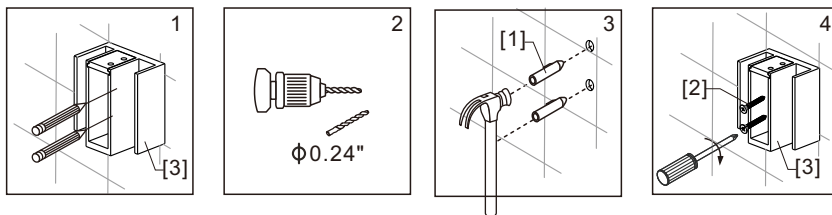
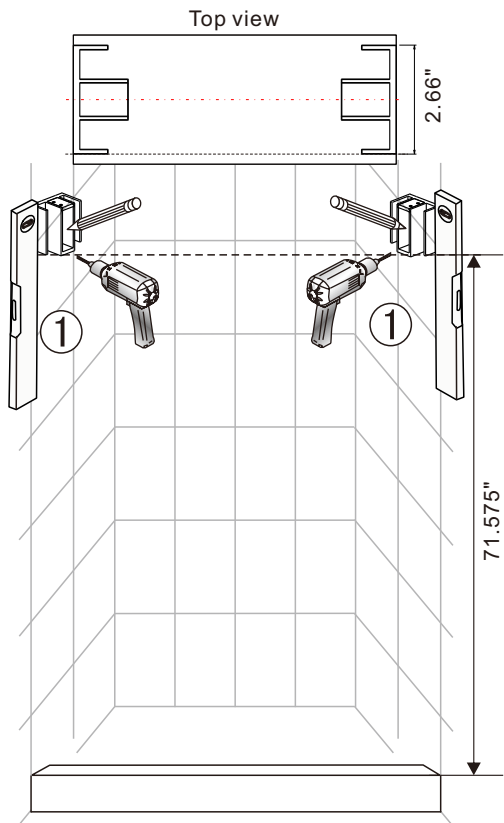
2. You need to cut the Top Horizontal Rail[9] at one end to be length of  $W-0.4$ ", and the length to cut off will be L:  
 $L = \text{Subtract } W-0.4 \text{ from the size of Top Horizontal Rail}[9]$ .  
 Cut the Bottom Horizontal Rail[13] at both ends, and the length to cut off will be L1&L2:  
 $L1=L2= \frac{1}{2} * L$ .

**FOR EXAMPLE**  
 If your wall opening  $W=59$ ", the length of your Top Horizontal Rail[9] is 60".  
 $L=60"-(59"-0.4")=1.4"$ ,  $L1=L2= \frac{1}{2} * L=0.7"$ .  
 You have to cut 1.4" off from the Top Horizontal Rail[9] at one end only, and cut 0.7" off from the Bottom Horizontal Rail[13] at both ends.

Please see Fig 1&2 for details.




[1]		x4
[2]		x4 (ST4x35)
[3]		x2

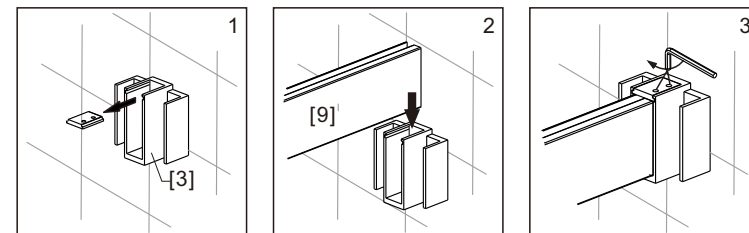
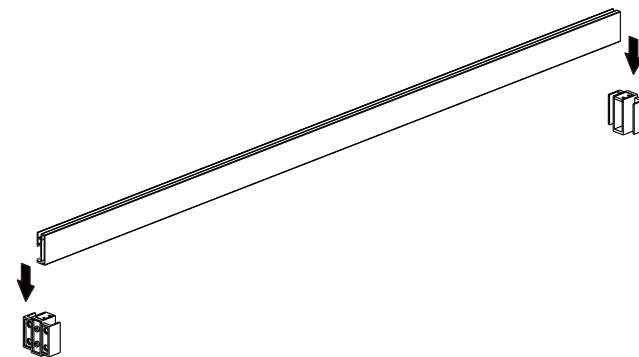


3. Measure a distance of 71.575" from the shower tray or threshold to Wall Connectors[3], and mark the holes' position for Wall Connectors[3].

The left and right Wall Connectors[3] must align with each other. Drill the holes with drill bit  $\phi 0.24$ " and insert Wall Plugs[1], secure the Wall Connectors[3] to the wall with the Screws ST4x35[2].




Please see Fig 1&2&3&4 for details.

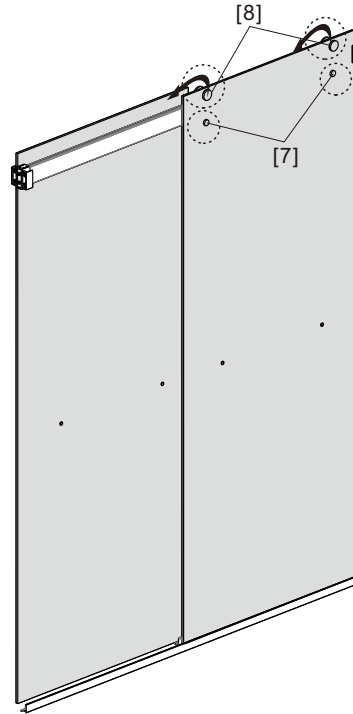
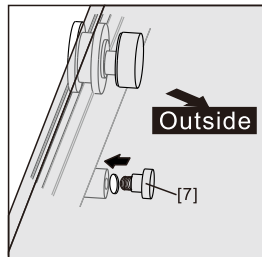
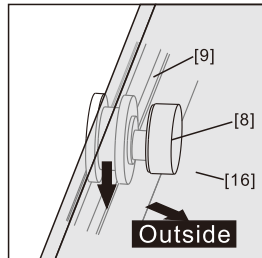
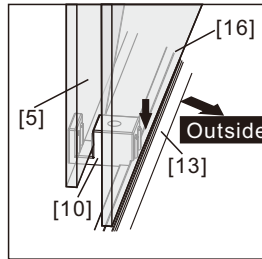
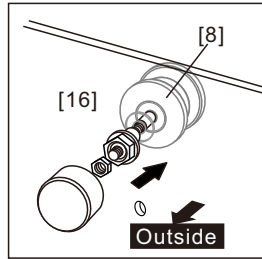
[9]		x1
-----	---	----




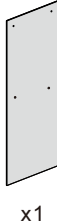
4. Remove the covers of the Wall Connectors[3], stick the two ends of the Top Horizontal Rail[9] in the Wall Connectors[3]. Recover and fasten the covers with Allen Key.

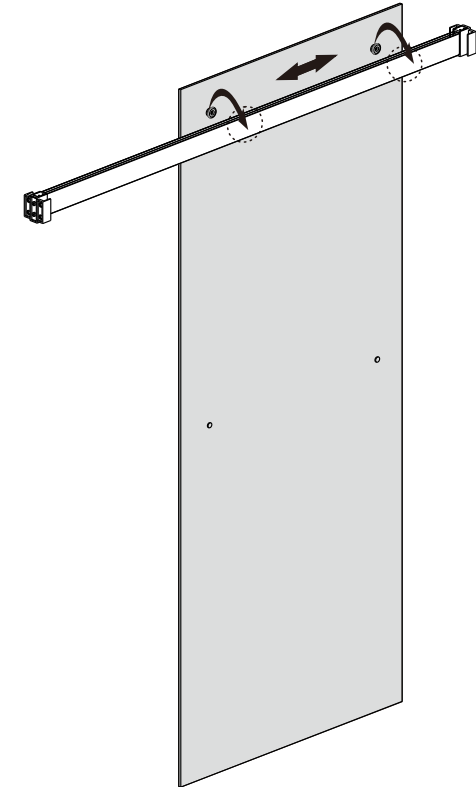
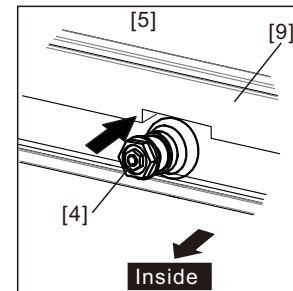
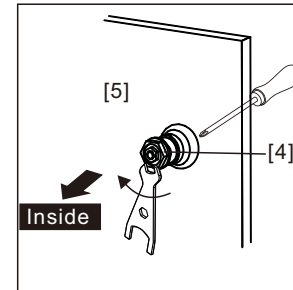
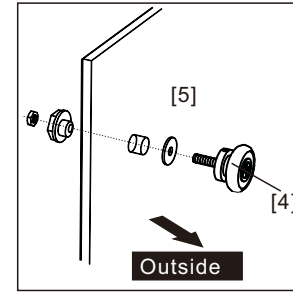
Please see Fig 1&2&3 for details.

[7]		x2
[8]		x2
[16]		x1


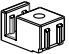


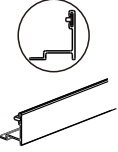


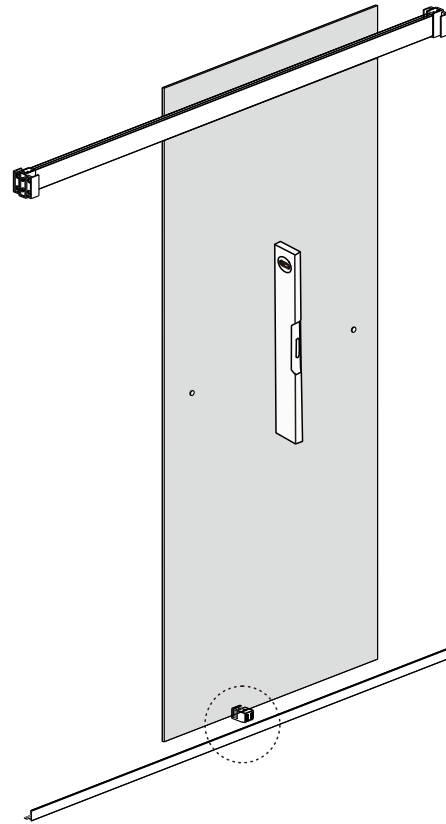
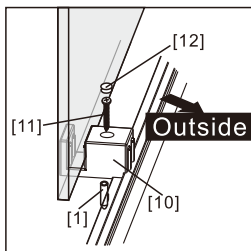
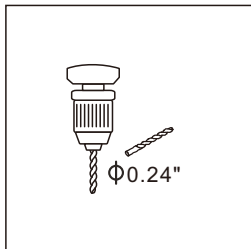
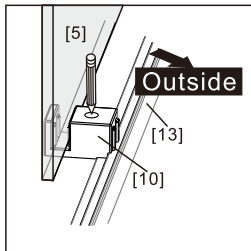
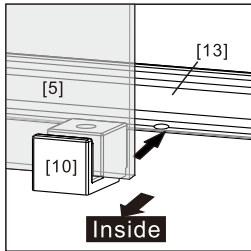
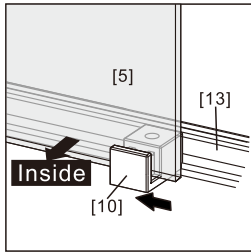
5. Install the Top Rollers[8] into the two pre-drilled holes of the Door Panel[16]. Place the bottom of Door Panel[16] into the gap between the Door Guide[10] and Bottom Horizontal Rail[13], and insert the top of Door Panel[16] into the slot of Top Horizontal Rail[8]. Install the Anti-collision Component[7] into the hole of Door Panel[16],lock and fasten it.


[4]		x2
[5]		x1





6. Install the Top Wheels[4] through the pre-drilled holes in Door Panel[5]. Stick the Top Wheels[4] in the openings of the Top Horizontal Rail[9].

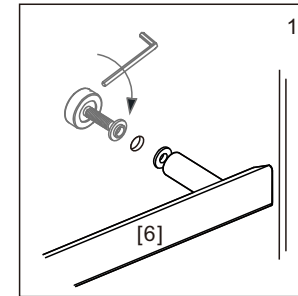
[1]		x1
[10]		x1
[11]		x1(ST4x25)
[12]		x1
[13]		x1



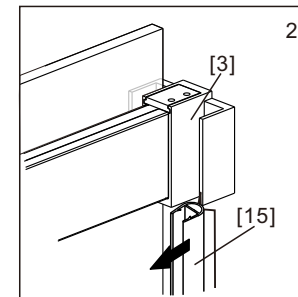
 Please ensure the bottom horizontal is straight before drilling

7. Stick the Door Guide[10] onto the Door Panel[5]. Level the Bottom Horizontal Rail[13], and align the hole position of Bottom Horizontal Rail with the hole position of Door Guide[10]. Check the Door Panel[5] for plumb, and mark the drilling holes from inside of the shower. Drill holes with a  $\phi 0.24''$  drill bit. Insert Wall Plugs[1] and secure the Door Guide[10] with the Screw ST4x25[11]. Put the Screw Cover Cap[12] back on the Door Guide[10].

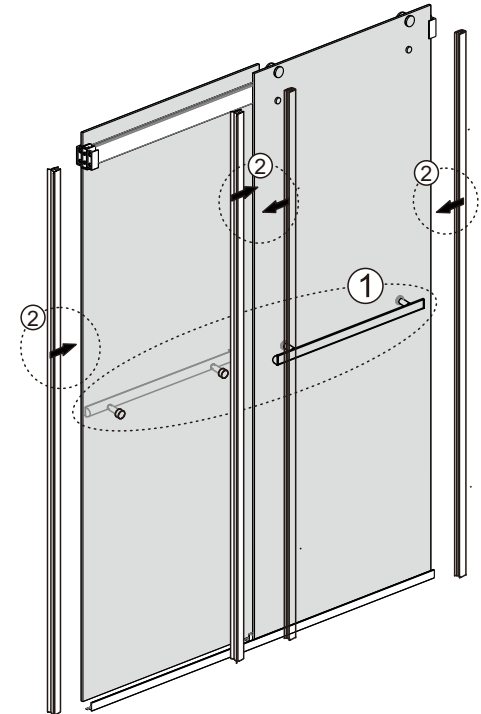
[6]		x2
[15]		x4

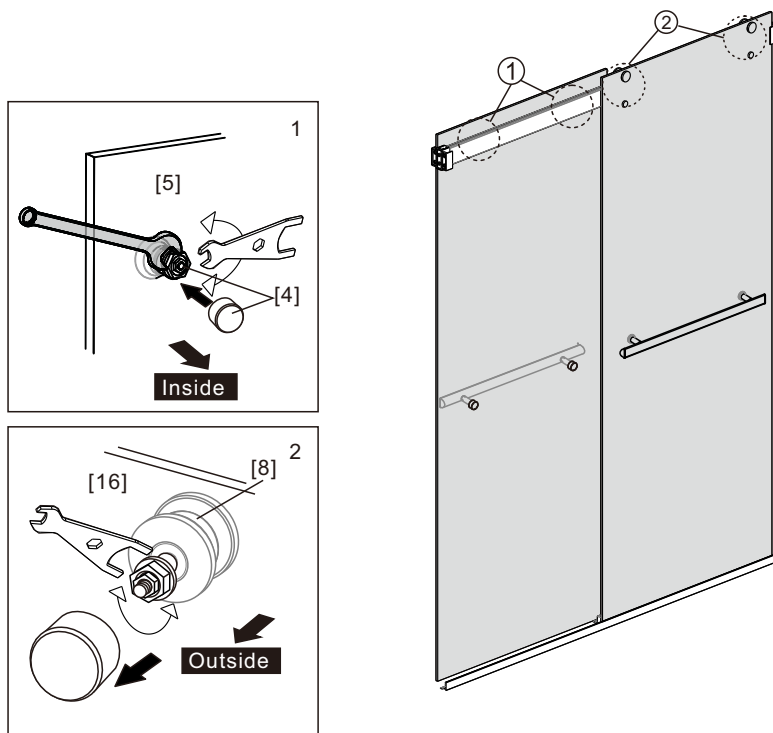


8. Install the Handle Set[6] onto the Door Panels[5&16], lock and fasten them with Allen Key. Please see Fig 1 for details.



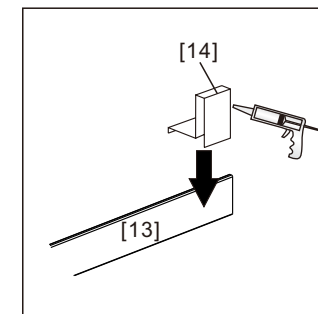
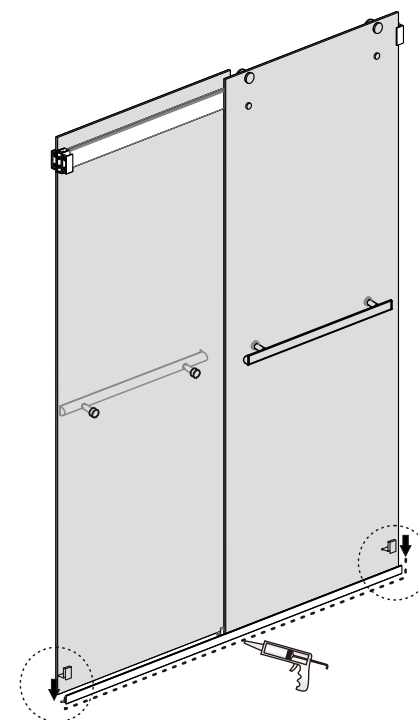
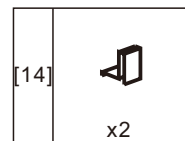
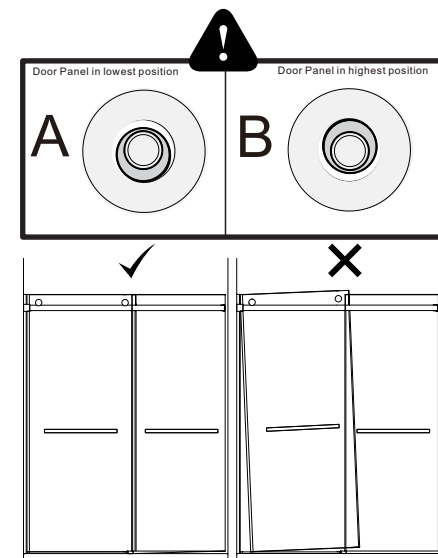
Press the Door Side Gasket[15] onto the vertical edges of the Door Panels[5&16]. Please see Fig 2 for details.





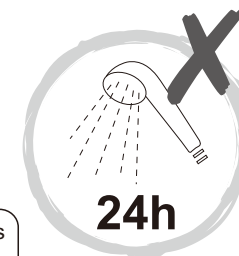
9. If there is a seam when the door is closed like the picture in the right, use Wrench to adjust the Top Wheel [4] or the Top Roller [8] till there is no seam any more.

Please see Fig 1&2 for details.



10. Apply thin beads of glass glue into the Cover Caps [14], and assemble them on both ends of the Bottom Horizontal Rail [13].

⚠ Please ensure the bottom horizontal is straight before the silicone sealant to cure fully



● Do not use the shower enclosure for at least 24 hour in order to allow the silicone sealant to cure fully.