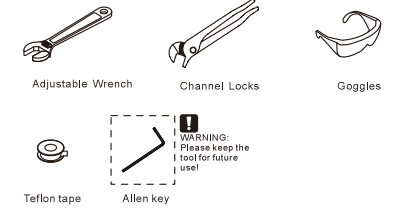


Widespread Bathroom Tub Faucet

product is CUPC and ADA certified.

ASME A112.18.1/CSA B125.1

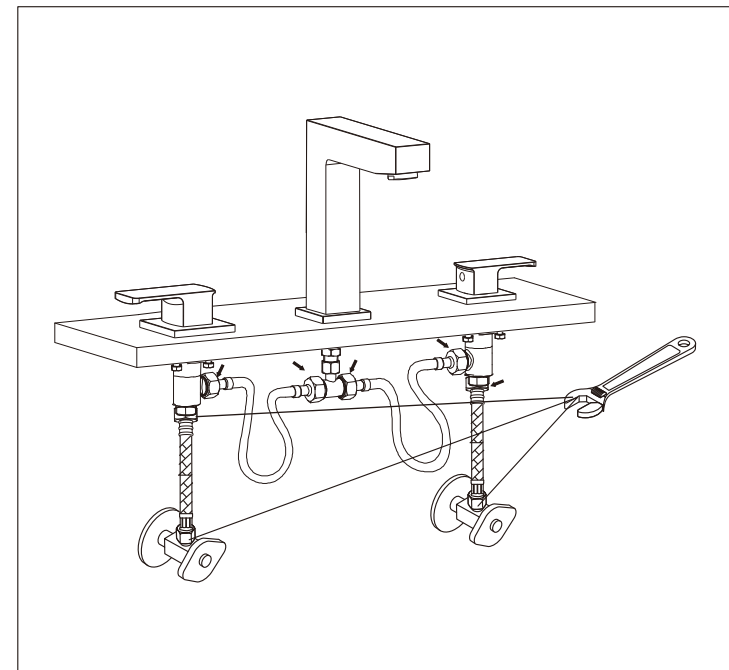
RECOMMENDED TOOLS



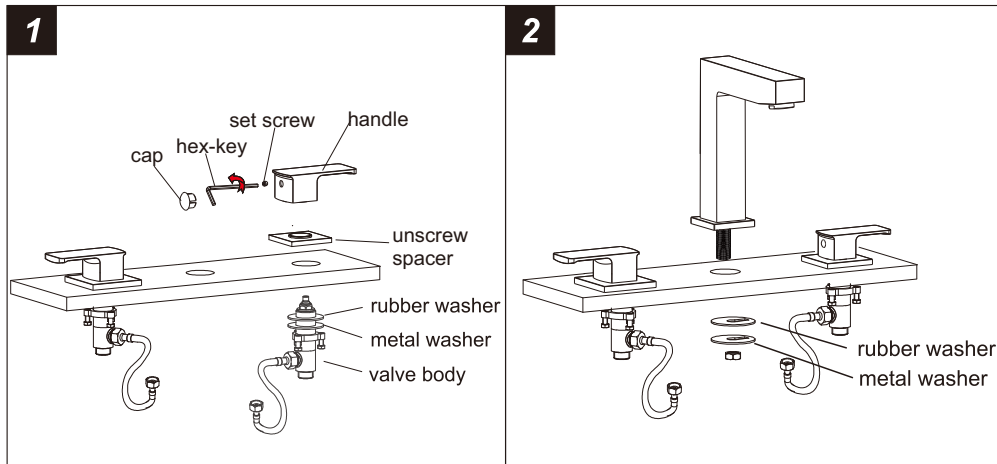
Attention:
for easy installation, you will need:
1.To read all the installation instruction completely before beginning.
2.To read all the warning, attention and maintenance information.
3.To purchase the proper supply lines.

The tools might be applied to the following places:

NO.	Description	NO.	Description
1	Hot indicator	15	Nut
2	Screw	16	Rubber gasket
3	Handle	17	Metal gasket
4	Handle base	18	Shank
5	O-ring	19	O-ring
6	Cartridge	20	O-ring
7	Rubber gasket	21	Philips screws
8	Metal gasket	22	Base plate
9	Lock nut	23	Body
10	Screw	24	Rubber ring
11	Valve body	25	Aerator
12	T-Joint	26	Spout shell
13	Rubber ring	27	Hot & cold hose
14	Flow rate restrictor	28	Cold indicator



Step 1 Faucet installation

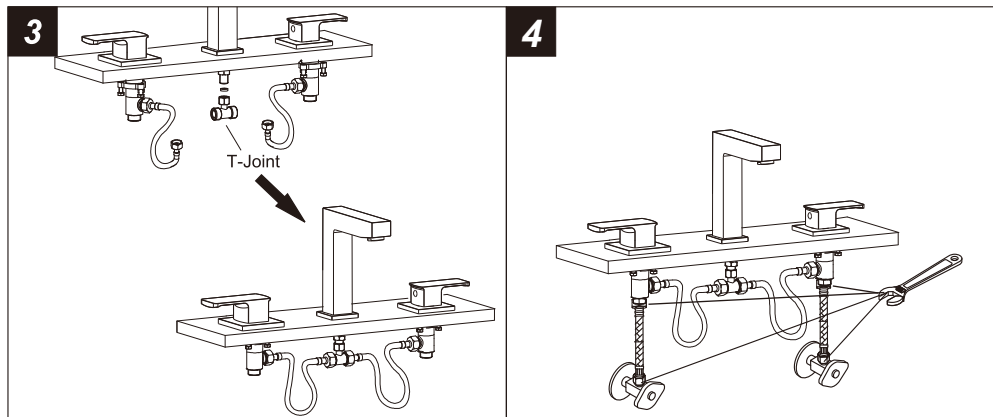


1. Handle installation

- 1-1. Use provided hex-key to loosen set screw.
- 1-2. Remove handle and unscrew spacer from valve body.
- 1-3. Place handle onto cartridge in desired position and tighten set screw with hex-key. Cover handle hole with hot/cold cap.

2. Spout installation

- 2-1. Disassemble the spout.
- 2-2. Place rubber washer, metal washer and nut in order and secure the nut.

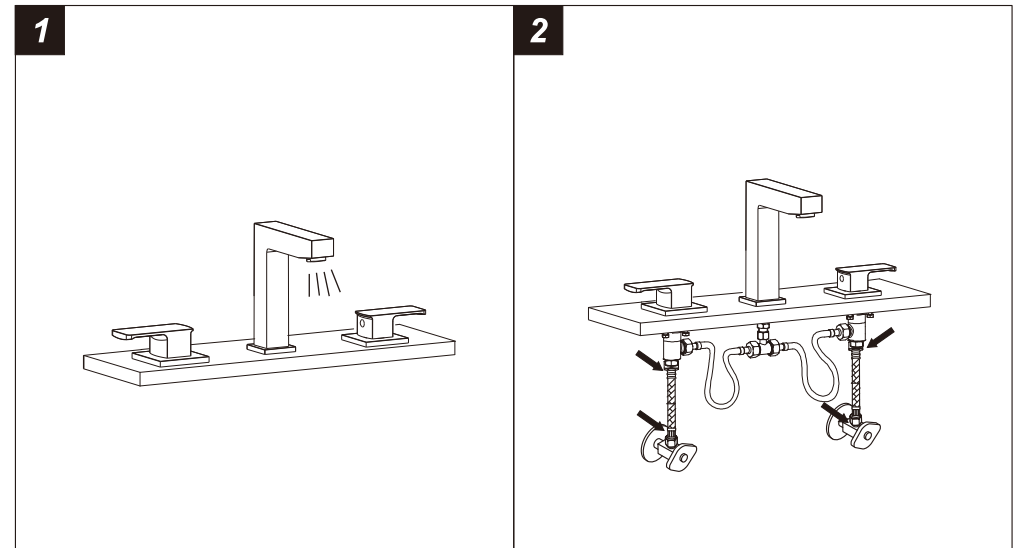


3. Connect and tighten the T-joint to the shank. Connect hoses from valve body to the T-joint.
4. Connect the flexible hoses to water supply valve (not included) and copper tubes, and tighten it with adjustable wrench. **DON'T OVER TIGHTEN!**
Caution: make sure connect the hot and cold flexible hose to supply valves correctly.



Warning: The supply valves are not included, please purchase them in a plumbing shop.

Step 2 Checking and testing



1. Turn the faucet handle all the way on, turn on hot and cold water supply and flush water lines for one minute.
2. Check all connections at arrows for leaks, re-tighten it if necessary.



BUT DON'T OVERTIGHTEN

Step 3 Cleaning and care

Daily cleaning and care are required in order to keep the product shining and properly working.

1. Clean it with water and dry it with soft cloth.
2. Clean the product with gentle liquid or glass cleaner.
3. Don't use acid cleaner.
4. Don't clean with abrasive material, abrasive paper or knife.