

Freestanding Tub with Metal feet Maintenance & Instructions



Please retain this manual after installation for future reference and maintenance

Product must be installed in compliance with relevant Water Bylaws

The Product is CUPC certified

Original certification model Code: DM1003-1.7 File No. 10288

Important:

- * Two people are required for installation.
- * Freestanding tub is not designed to take weight on the rim.
Do not sit or stand on the tub rim.

Parts List

No.	Part Name	Qty (pcs)	Pic
A	Bar	4	
B	Screw	4	
C	Nut	12 (8 pcs pre-assembled on tub)	
D	Washer	12 (8 pcs pre-assembled on tub)	
E	Fastener washer	4	
F	Adjustable metal feet	4	

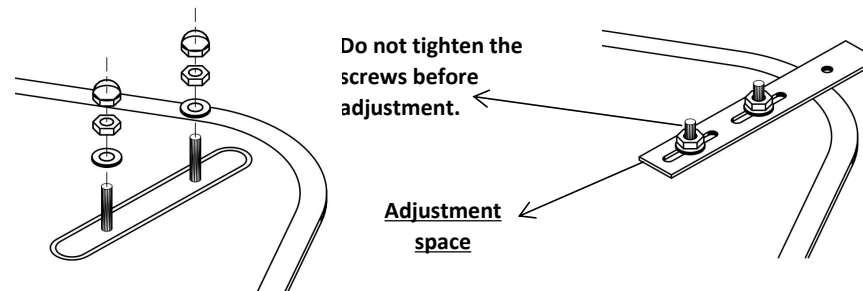
TOOLS REQUIRED



Adjustable Wrench

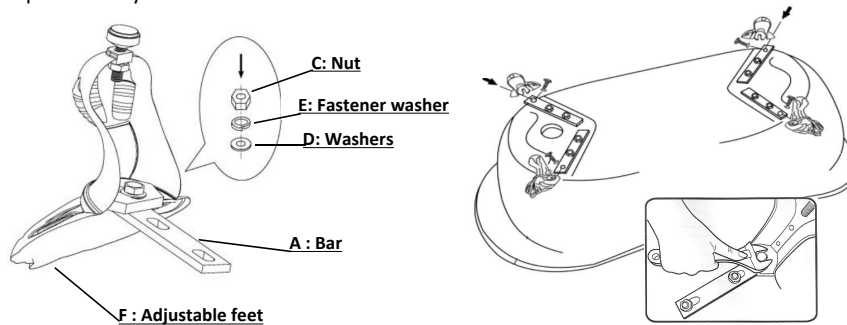
Step 1

- * Turn over the tub on soft surface to make sure it is protected from scratches.
- * Take off the plastic covers of screws and unscrew nuts and washers from the tub(pre-assembled on the tub).
- * Place the bars on the tub, position washers and screws, then fix the screws but not tighten them, because the bars could be adjusted during assembling.



Step 2

- * Position the feet on the bar, fasten with washers, fastener washers and screws, but not tighten screws right away.
- * Adjust the feet to match the shape of the tub, bars could be adjusted if needed.
- * Hold the feet firmly when tightening all screws, the feet must be secured fully to prevent any movement.



Step 3

- * Assemble the overflow and waste. Connect the tub trap (not supplied with the tub) to the fitted tub waste and connect that to the bathroom's waste pipes.

Step 4

- * Place the tub to the desired location and water test the tub for any leaks before use.

Receive Your Tub

- A) Unpack and check for damage.

After receiving your tub, please unpack and remove all covering, checking whether there is any damage. Repack the tub if it is not being immediately installed. It will be rejected any claim for damage if not notified in a timely manner.

- B) Protect your tub.

Before commencing installation, ensure the tub is completely protected, leave covering in place until the bathroom is complete. Scratches and cracks incurred during installation are not covered by the warranty.

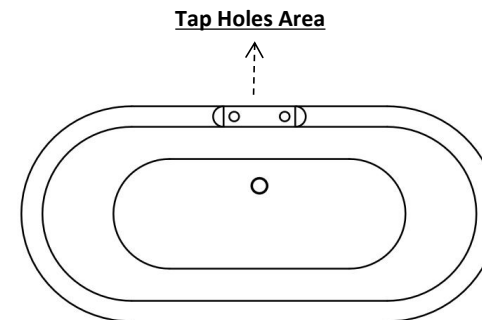
Cleaning & Maintenance:

- A) To preserve the polished surface, after using your tub, clean with soft cloth and warm soapy water to wash away any body oils or soap residue that forms a ring tide mark.
- B) Do not use powders, pastes, crème cleaners, thinners, window cleaning sprays or dry cleaning liquid, etc.
- C) When coloured essentials oils are used, first test that the colour won't stain your tub. Always add oils into a tub full of water. Never pour them into an empty tub.

⚠ Tap Holes Drilling Attention if applicable

- * Pay attention to below points if the tub is designed with tap deck.
- * The tap holes are not pre-drilled on the deck, drill holes according to your need.
- * Check and silconed the tap holes to make sure the reinforcement layer holes are solid before installing the faucet.
- * Check and make sure that there is no water leakage at the faucet.

Illustrations below are for reference only



Installation Instructions of the Bathtub drainer

Important:

We recommend that this product is installed by a qualified professional contractor.

Do NOT overtighten the waste as this may cause long term damage to the bath.

Never use abrasive detergents or disinfectants or those containing alcohol, hydrochloric acid or phosphoric acid.

1. Remove cap, screw and gasket from fitting;
3. Tighten the screw to the overflow body;
4. Aim another side to the drain hole and screw the pop up cover slowly, but donot overtighten it;
5. Loosen the screws on the three pipes and stretch the pipes to the appropriate length, fitting for the bathtub, and then tighten the screws.
6. Connect approprate drain pipe;
7. Check if there's any leakage.

