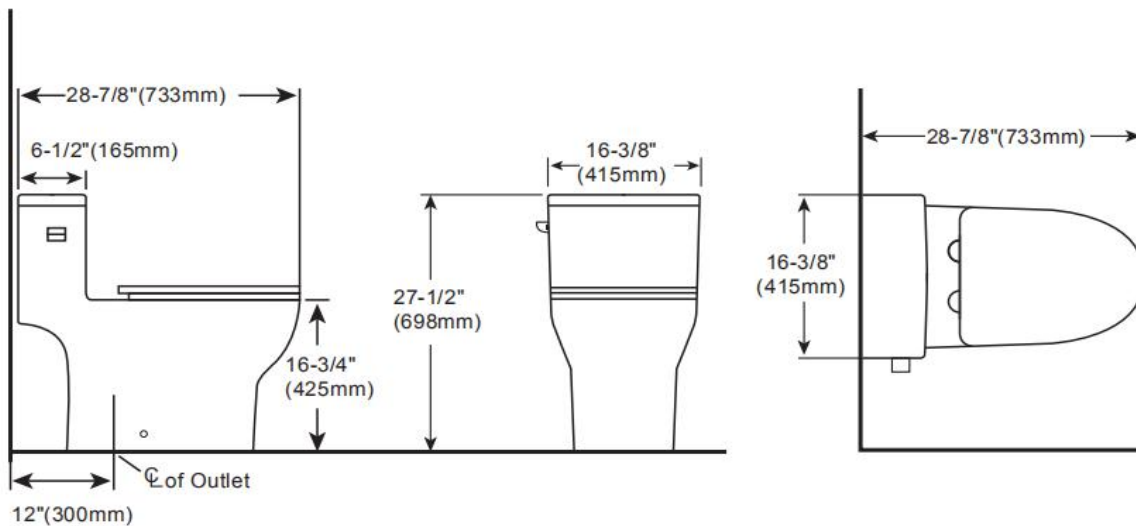


INSTALLATION SPECIFICATION

SKU	T213
Shape	Elongated
Material	Ceramic
Size	28.5"L*15.5"W*26.8"D
Flush	Top Flush, Siphonic
Trapway	S Trap
Rough in	12"
Color	White
Ceramic Thickness	0.4-0.8"
Waste Size	2.2"
N.W.	102.5LBS
G.W.	110.9LBS
Certification	cupc/watersense

All measurements are approximate. Measurements may vary 1/4"

Veronoa 28.5"*15.5"*26.8" Ceramic Toilet



ALTAIR