

INSTALLATION SPECIFICATION

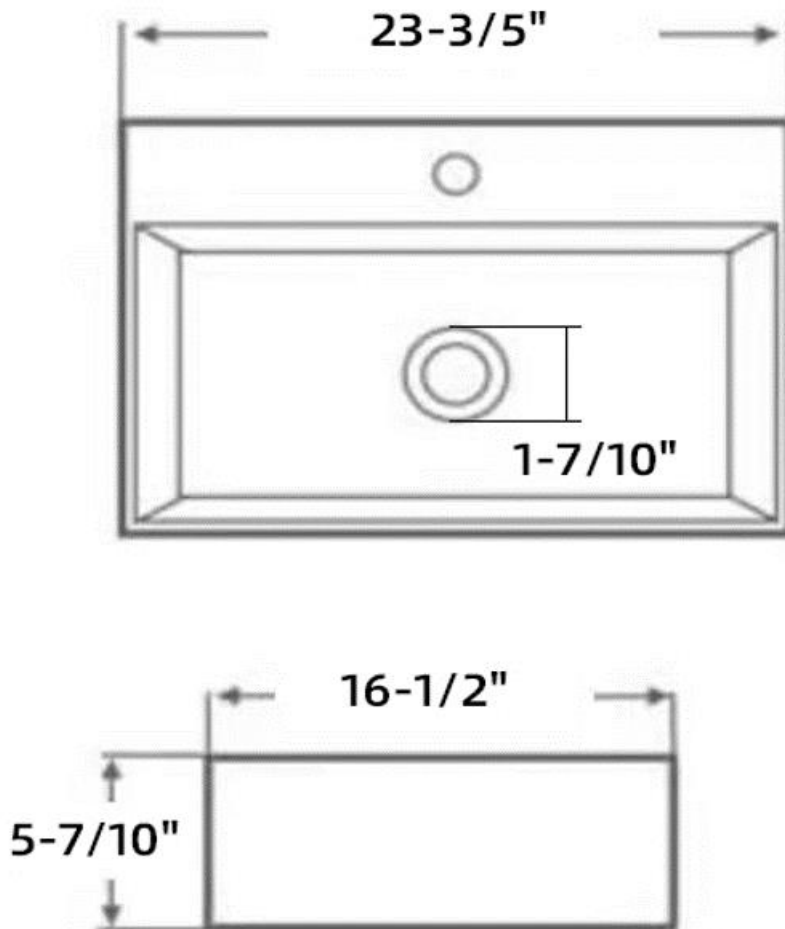
SKU	9011-BAS-WH
Shape	Rectangle
Material	Ceramic
Size	23.6"W x 16.5"P x 5.7"H
Ceramic Thickness	0.4-0.8"
Waster Hole	1.7"
Color	White
N.W.	41.8LBS
G.W.	45.1LBS
Certification	CUPC

All measurements are approximate. Measurements may vary 1/4"

Fremont

23.6"*16.5"*5.7"

Ceramic Wall Hung
& Vessel Sink



ALTAIR