

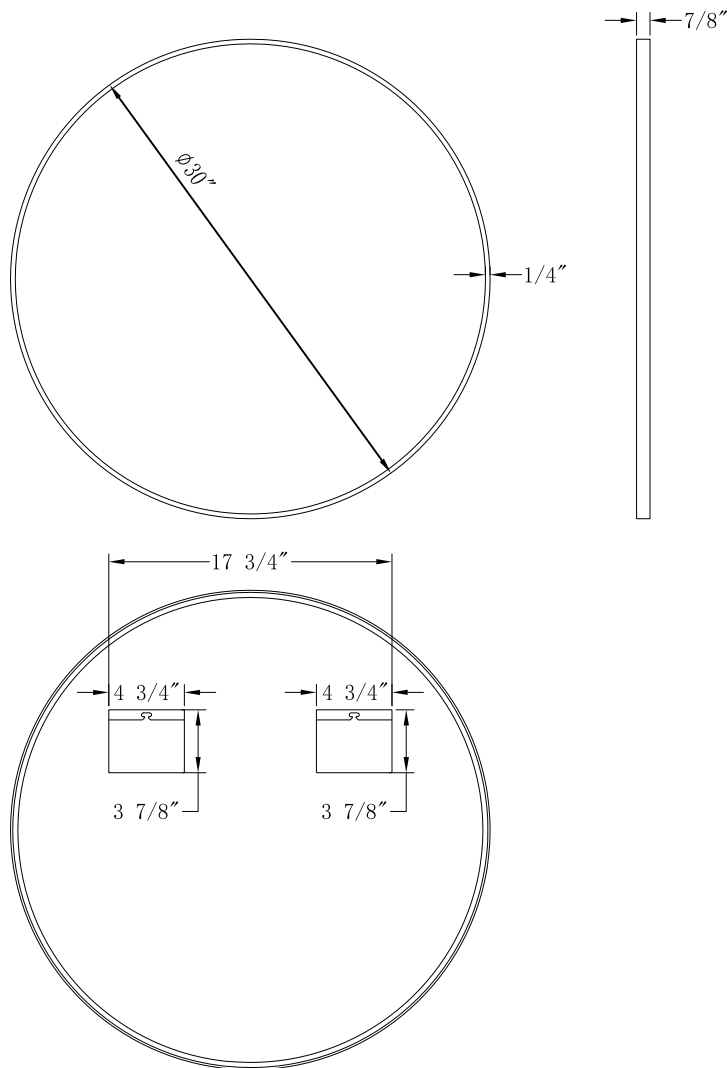
INSTALLATION SPECIFICATION

Model No.	752030-MIR-GF
Description	Bathroom Mirror
Overall Dimensions	Ø30" x D7/8"
Net weight(LBS)	12.6
Mount Type	Wall Mounted
Orientation	Vertical

All measurements are approximate. Measurements may vary +/-1/2".

Liceo

Ø30"
Bathroom Mirror



ALTAIR