

# LP374247-UNV

Linear Pendant

TECHNICAL SUPPORT

1.855.855.8926

technicalsupport@aloralighting.com

## ⚠ WARNINGS AND CAUTIONS

- Make sure **POWER** is **COMPLETELY OFF** at the fuse box
- Have your fixture installed by a qualified licensed electrician
- Prepare everything in a clear area
- Wear gloves at all times during this installation
- Read instructions carefully before you start assembly
- Keep this installation sheet for future reference

### Please Note:

- This Alora LED fixture comes with pre-wired LED module(s)
- Unless instructed, Do Not touch any part of the LED module(s) as any unnecessary contact with the module could cause permanent damage
- For dimming, an ELV (Electronic Low Voltage) or TRIAC type of dimmer is required
- 120-277V input

## NOTICE

• The important safeguards and instructions outlined in this sheet cannot cover all possible conditions and situations that may occur. It must be understood that caution and certain care factors must be followed. These instructions are provided for your safety and we highly recommend that a licensed, trained electrician install this unit.

## ASSEMBLY INSTRUCTIONS

### Step 1

Remove fixture from its original package.

### Step 2

Separate mounting plate (1c) and non-power mounting plate (5b) from canopy (2a) and non-power canopy (5d) by removing canopy screws (2b/5e).

**Important: This fixture must be mounted independently from junction box, additional means of support is required.**

### Step 3

Attach non-power mounting plate (5b) to mounting surface with anchors (5a) and screws (5c).

### Step 4

Determine hanging height of fixture by securing rods (2d) to canopy (2a), non-power canopy (5d) and fixture (3a) after feeding fixture wires (LED+ and LED-) through rods.

### Step 5

Make proper electrical connections between LED and DC driver, LED- Negative, LED+ Positive using quick connector provided (See Illustration 1 and refer to diagram on driver).

### Step 6

Make proper electrical connections (**black to hot "L"**, **white to neutral "N"**, **ground to "GND"**) with wire nuts (1b) provided in hardware package and place driver (4a) in canopy (2a).

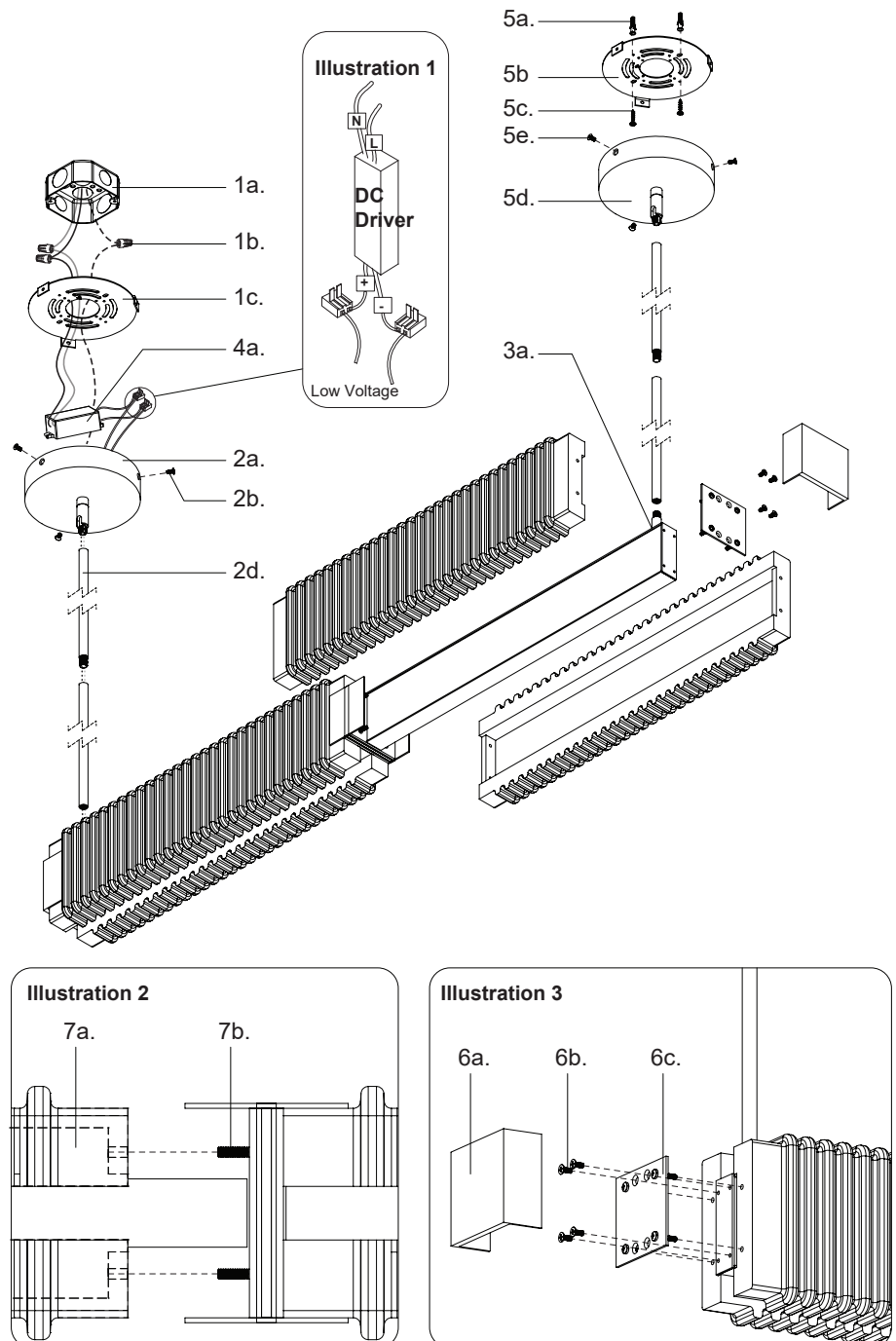
### Step 7

Align holes in glass diffusers (7a) to pegs (7b) (See Illustration 2), followed by fixture plate (6c) and secure with screws (6b) and close with cover (6a) (See Illustration 3)

### Step 8

Attach canopy (2a) to mounting plate (1c) with canopy screws (2b) and attach non-power canopy (5d) to non-power mounting plate (5b) with screws (5e).

You are now ready to enjoy your fixture.



alora

P: 1.855.855.8926

CANADA: 19054 28th Avenue Surrey - BC V3Z 6M3

USA: 3035 E. Lone Mountain Rd - Las Vegas, NV, 89081

www.aloralighting.com

20240712