

## ⚠ WARNINGS AND CAUTIONS

**Important: ALWAYS** be sure to disconnect power before re-lamping or wiring the fixture. Read these instructions completely before starting installation.

To avoid the risk of fire and/or shock fixture must be installed in compliance to national and local electrical and building codes.

If an existing fixture is being replaced take special notice of which wires were connected in the outlet box.  
**DO NOT SEPARATE ANY WIRES THAT MAY BE EXISTING IN THE JUNCTION BOX**  
**DO NOT DAMAGE THE INSULATION OF JUNCTION BOX WIRES.**

In Regular circumstances the BLACK wire will be "live", WHITE will be "neutral" and GREEN or BARE COPPER will be "ground". In older buildings it is always good practice to reconfirm the polarity of the wiring.

### NOTICE

- The important safeguards and instructions outlined in this sheet cannot cover all possible conditions and situations that may occur. It must be understood that caution and certain care factors must be followed. These instructions are provided for your safety and we highly recommend that a licensed, trained electrician install this unit.
- This fixture is designed to be mounted on a correctly installed standard round or octagon box OR through a wiring box with a plaster frame. The box must be securely mounted to the structure of the building. The crossbar and hardware supplied should be used, directly mounting the fixture to the outlet box may make it impossible to correctly align the fixture.

### ASSEMBLY INSTRUCTIONS

#### Step 1

Determine the desired length the fixture will hang by selecting from the assorted rod sizes supplied (2c). Slide selected rods through the fixture wires and thread the rod assembly to fixture body (3a). Remove the mounting crossbar (1c) from within the canopy (2a) by loosening the mounting collar nut (2b). Slide mounting collar nut (2b) followed by canopy (2a) through wire and rods. Feed fixture wires through canopy pivot (1e) and mounting crossbar (1c) and thread canopy pivot (1e) to fixture assembly.

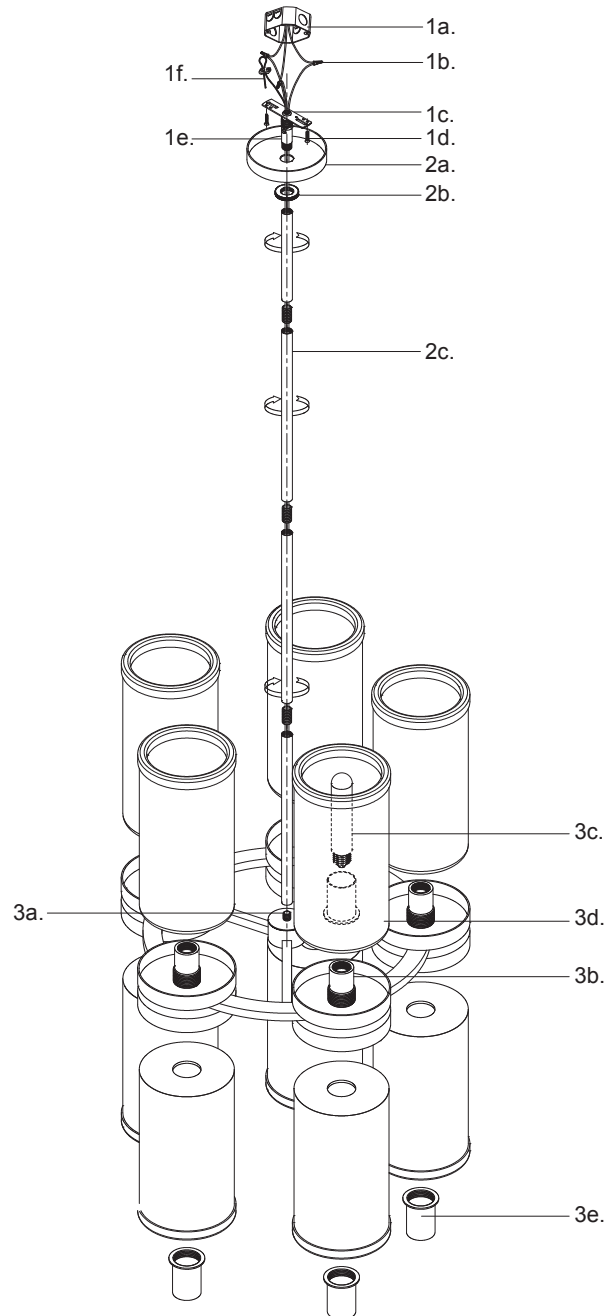
#### Step 2

Attach mounting crossbar (1c) to junction box (1a), using two junction box screws (1d) (not provided). Cut down the extra wire and connect fixture wires to junction box wires using the marrettes provided (1b). (white to white "N", black to black "L", green to green "G"). For additional support attach the safety cable link (1f) to the junction box (1a). Slide canopy (2a) and mounting collar nut (2b) towards ceiling and thread on the mounting collar nut (2b). This will secure the canopy to mounting crossbar.

#### Step 3

Place the glass shades (3d) over the fixture sockets (3b) and secure by threading the socket covers (3e) onto the sockets (3b). Install recommended lamps (3c) (not provided) (referred on the socket label for maximum wattage and type) to fixture sockets (3b). \*If fixture has integrated LED (Lighting Emitting Diodes) lamp installation is not required\*

You are now ready to enjoy your fixture.



P. 1.833.MY ALORA (692.5672)

CANADA: 102-19028 27TH Ave. - Surrey, BC V3Z 5T1

USA: 3035 E. Lone Mountain Rd - Las Vegas, NV, 89081

www.aloralighting.com