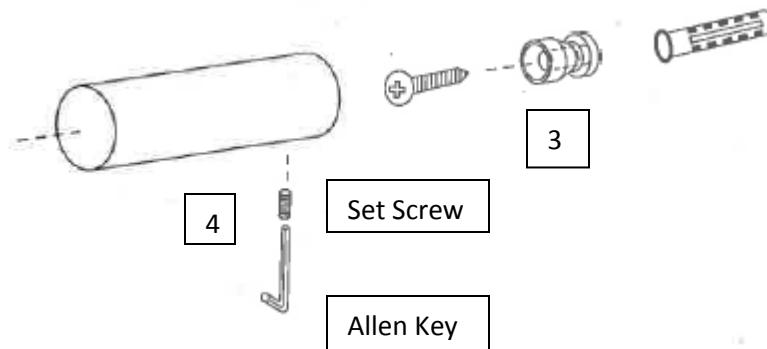


X = Drill Pilot Hole Here



Installation Instructions for Spa I & Spa II (A7000 & A7100) collections

1. Spa I and Spa II (A7000 & A7100) products work best, if secured to a wall stud or cross brace within the wall, using the screws provided. **It is recommended that Spa I & Spa II (A7000 & A7100) products are mounted to a wall stud or cross brace within the wall. Alno, Inc. is not responsible for improper mounting or mounting this product onto drywall only.**
2. Determine desired location for the accessory and mark the level line.
3. Drill pilot hole for wood screw or plastic anchor 1/4" dia. Place screw inside metal mounting hardware and drill into wall.
4. Place decorative post over the metal mounting hardware, secure accessory with Set Screw using allen key.